

# Compact low speed thick film thermal printhead (8 dots / mm)

## KF2003-GE10A

The KF2003-GE10A is a standard type 12 V compact and lightweight thick-film thermal printhead, developed mainly for label printers. Maximum printing speed of 2 inch / second is possible with external simple history control.

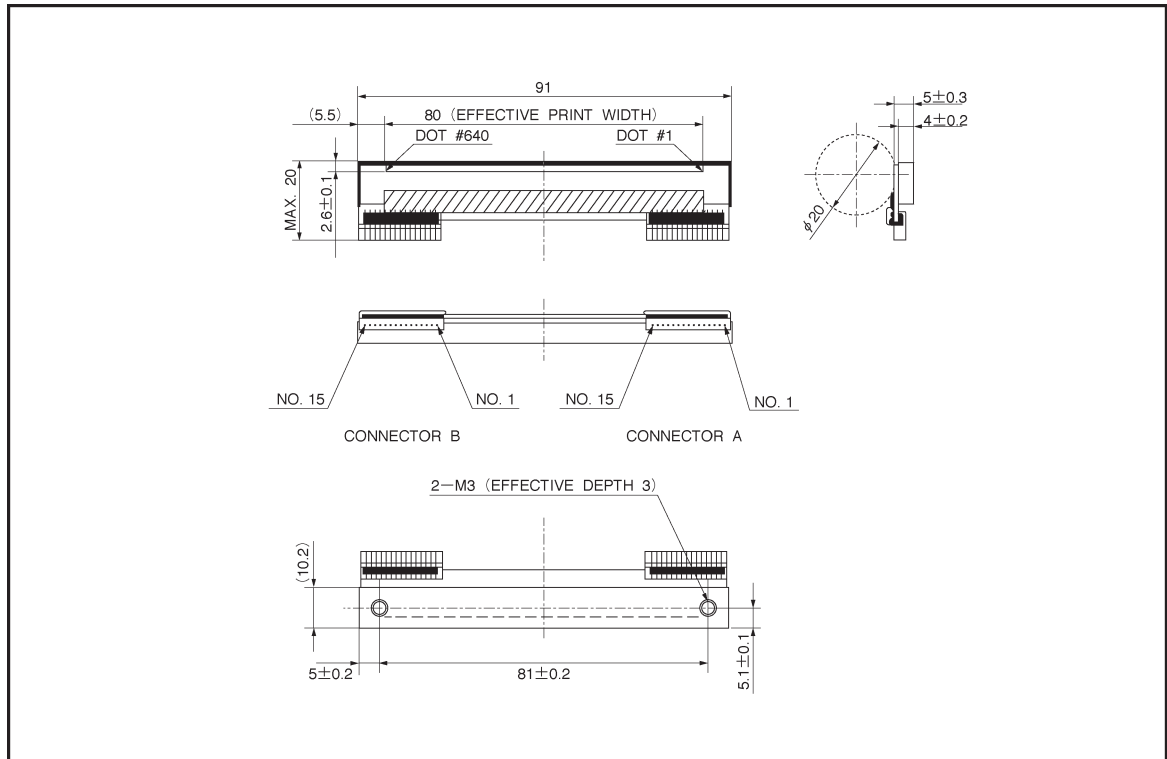
●Applications

- Bar code label printers
- Portable printers
- Label printers

●Features

- 1) A new pin connector structure greatly reduces the size and weight.
- 2) Completely compatible with the KF2003-GC10A (24 V standard type) in shape to enable sets with a common design.
- 3) Hard protective coating on the heating element meets the demand for long life labels.
- 4) 2-inch, 3-inch and 4-inch series are available.

●External dimensions (Units: mm)



●Equivalent circuit

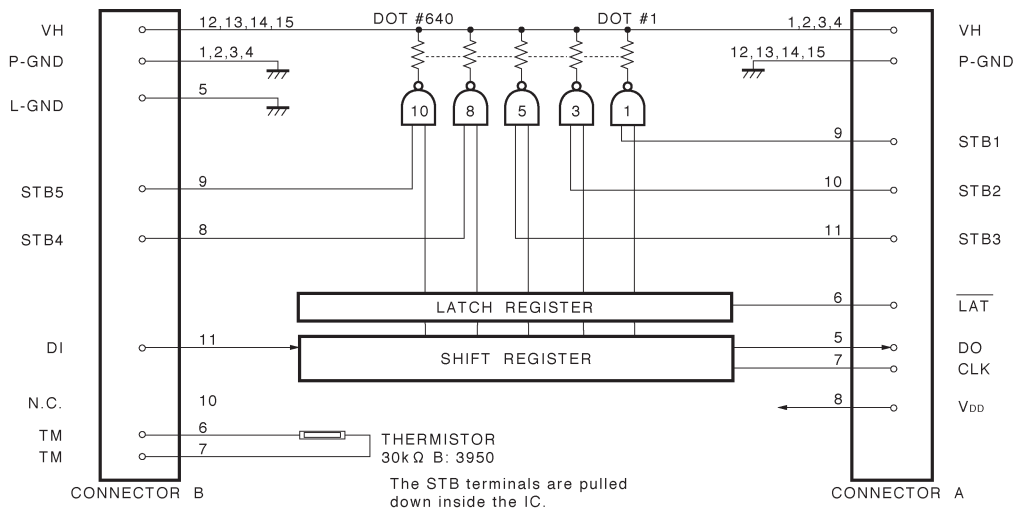


Fig. 1

●Pin assignments

| CONNECTOR A |                 |
|-------------|-----------------|
| No.         | Circuit         |
| 1           | VH              |
| 2           | VH              |
| 3           | VH              |
| 4           | VH              |
| 5           | DO              |
| 6           | LAT             |
| 7           | CLK             |
| 8           | V <sub>DD</sub> |
| 9           | STB1            |
| 10          | STB2            |
| 11          | STB3            |
| 12          | P-GND           |
| 13          | P-GND           |
| 14          | P-GND           |
| 15          | P-GND           |

| CONNECTOR B |         |
|-------------|---------|
| No.         | Circuit |
| 1           | P-GND   |
| 2           | P-GND   |
| 3           | P-GND   |
| 4           | P-GND   |
| 5           | L-GND   |
| 6           | TM      |
| 7           | TM      |
| 8           | STB4    |
| 9           | STB5    |
| 10          | N.C.    |
| 11          | DI      |
| 12          | VH      |
| 13          | VH      |
| 14          | VH      |
| 15          | VH      |

L-GND: LOGIC GROUND  
P-GND: POWER GROUND

●Timing chart

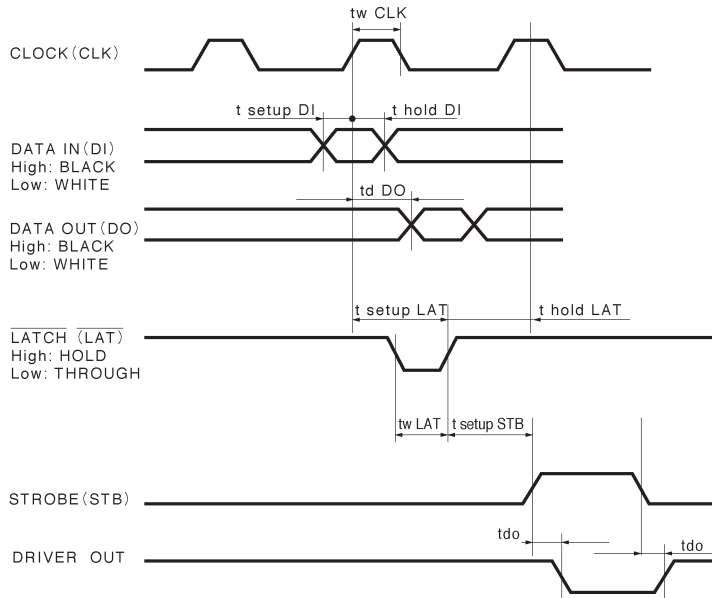


Fig. 2

●Characteristics

| Parameter                                       | Symbol          | Typical              | Unit               |
|---|-----------------|----------------------|--------------------|
| Effective printing width                        | —               | 80                   | mm                 |
| Dot pitch                                       | —               | 0.125                | mm                 |
| Total dot number                                | —               | 640                  | dots               |
| Average resistance value                        | Rave            | 350                  | $\Omega$           |
| Applied voltage                                 | V <sub>H</sub>  | 12.0                 | V                  |
| Applied power                                   | P <sub>O</sub>  | 0.31                 | W / dot            |
| Print cycle                                     | SLT             | 4.0                  | ms                 |
| Pulse width                                     | T <sub>ON</sub> | 0.87                 | ms                 |
| Maximum number of dots energized simultaneously | —               | 384                  | dots               |
| Maximum clock frequency                         | —               | 4                    | MHz                |
| Maximum roller diameter                         | —               | 20.0                 | mm                 |
| Running life / pulse life                       | —               | 50 / $5 \times 10^7$ | km / pulses        |
| Operating temperature                           | —               | 5~45                 | $^{\circ}\text{C}$ |

● Electrical characteristic curves

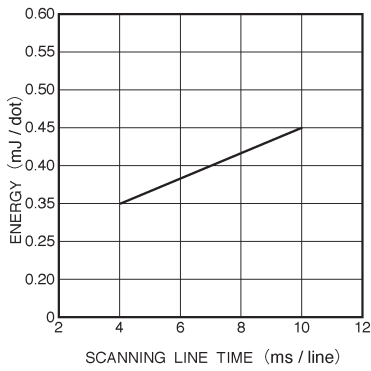


Fig. 3 Adaptive speed chart

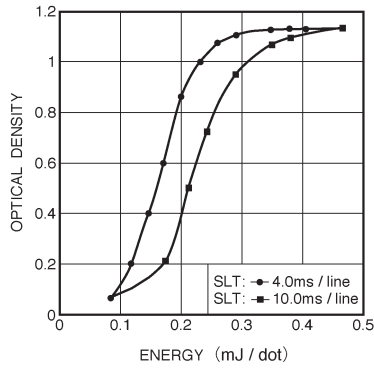


Fig. 4 Representative density curve

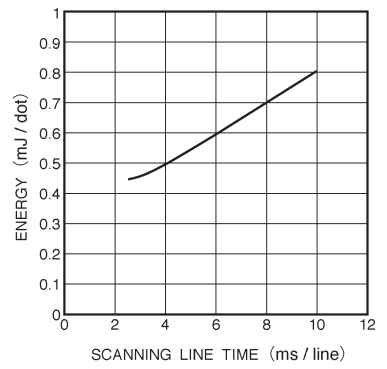


Fig. 5 Maximum energy curve

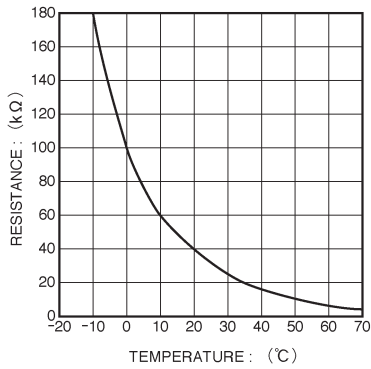


Fig. 6 Thermistor curve