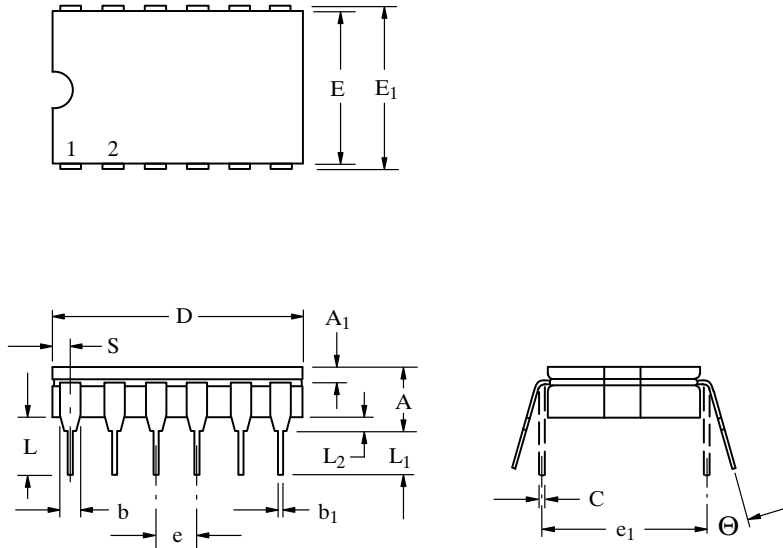


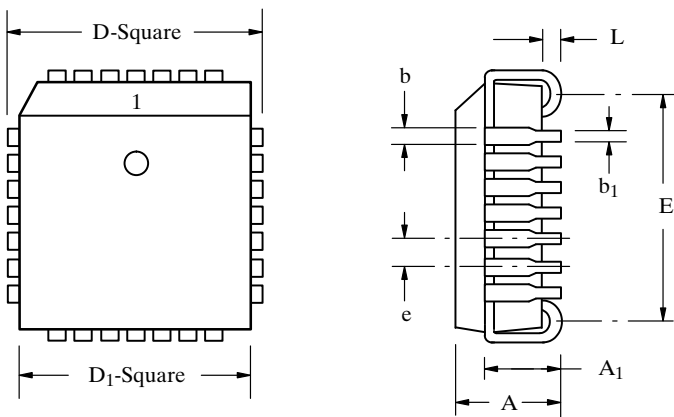
IC Packaging Information

Ceramic DIP, 8–16 Leads



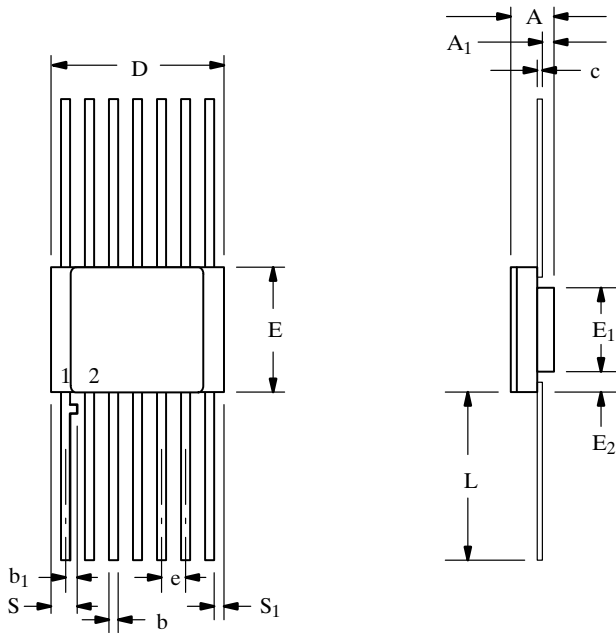
Dim	Millimeters		Inches	
	Min	Max	Min	Max
A	4.06	5.08	0.160	0.200
A ₁	1.27	2.16	0.050	0.085
b	1.14	1.65	0.045	0.065
b ₁	0.38	0.51	0.015	0.020
C	0.20	0.30	0.008	0.012
D-8	9.40	10.16	0.370	0.400
D-14	19.05	19.56	0.750	0.770
D-16	19.05	19.56	0.750	0.770
E	6.60	7.62	0.260	0.300
E ₁	7.62	8.26	0.300	0.325
e	2.54 BSC		0.100 BSC	
e ₁	7.62 BSC		0.300 BSC	
L	3.81	5.08	0.150	0.200
L ₁	3.18	3.81	0.125	0.150
L ₂	0.51	1.14	0.020	0.045
S-8	0.64	1.52	0.025	0.060
S-14	1.65	2.41	0.065	0.095
S-16	0.38	1.14	0.015	0.045
Θ	0°	15°	0°	15°

CerQuad Package (M Suffix), 28 & 44 Leads



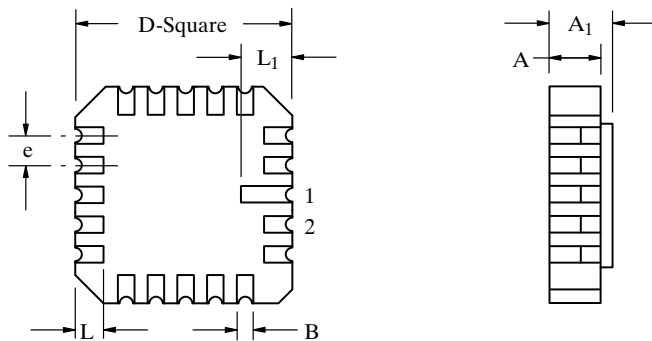
Dim	Millimeters		Inches	
	Min	Max	Min	Max
A	4.20	4.83	0.165	0.190
A ₁	2.29	3.04	0.090	0.120
b	0.66	0.81	0.026	0.032
b ₁	0.46	0.56	0.018	0.022
D-28	12.32	12.57	0.485	0.495
D-44	17.40	17.65	0.685	0.695
D ₁ -28	11.23	11.63	0.442	0.458
D ₁ -44	16.31	16.71	0.642	0.658
E-28	9.91	10.92	0.390	0.430
E-44	14.99	16.00	0.590	0.630
e	1.27 BSC		0.050 BSC	
L	0.51	—	0.020	—

Flat Package (L Suffix), 14 & 16 Leads



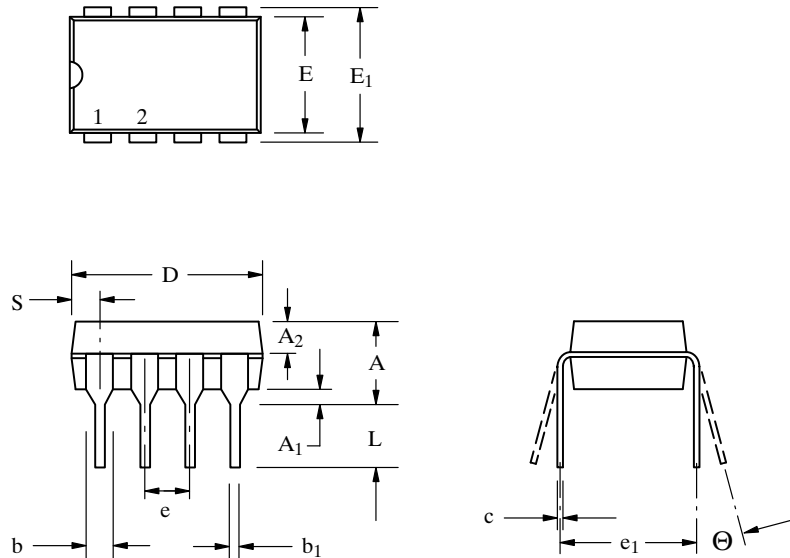
Dim	Millimeters		Inches	
	Min	Max	Min	Max
A	2.03	2.54	0.080	0.100
A ₁	0.66	1.14	0.026	0.045
b	0.38	0.48	0.015	0.019
b ₁	0.20	0.38	0.008	0.015
c	0.10	0.15	0.004	0.006
D-14	8.64	9.14	0.340	0.360
D-16	9.91	10.41	0.390	0.410
E-14	6.10	6.60	0.240	0.260
E-16	6.60	7.11	0.260	0.280
E ₁	4.45	4.95	0.175	0.195
E ₂	0.76	1.27	0.030	0.050
e	1.27 BSC		0.050 BSC	
L	7.62	8.89	0.300	0.350
S	–	1.14	–	0.045
S ₁	0.13	–	0.005	–

LCC Package, 20–28 Leads



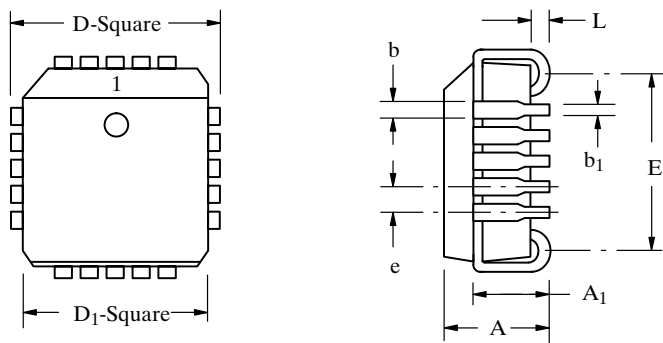
Dim	Millimeters		Inches	
	Min	Max	Min	Max
A	1.37	2.24	0.054	0.088
A ₁	1.63	2.54	0.064	0.100
B	0.56	0.71	0.022	0.028
D-20	8.69	9.09	0.342	0.358
D-28	11.23	11.63	0.442	0.458
e	1.27 BSC		0.050 BSC	
L	1.14	1.40	0.045	0.055
L ₁	1.96	2.36	0.077	0.093

Plastic DIP, 8–20 Leads



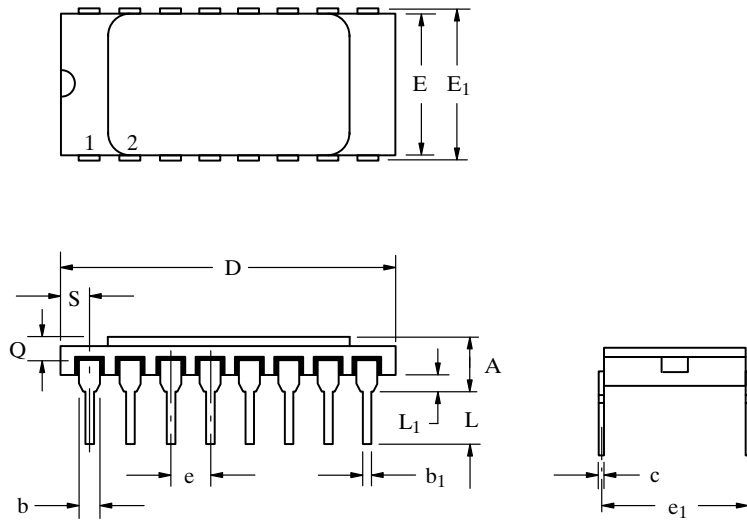
Dim	Millimeters		Inches	
	Min	Max	Min	Max
A	3.81	5.08	0.150	0.200
A ₁	0.38	1.27	0.015	0.050
A ₂	1.27	2.03	0.050	0.080
b	0.89	1.65	0.035	0.065
b ₁	0.38	0.51	0.015	0.020
c	0.20	0.30	0.008	0.012
D-8	9.65	11.68	0.380	0.460
D-14	17.27	19.30	0.680	0.760
D-16	18.93	21.33	0.745	0.840
D-20	24.89	26.92	0.980	1.060
E	5.59	7.11	0.220	0.280
E ₁	7.62	8.26	0.300	0.325
e	2.29	2.79	0.090	0.110
e ₁	7.37	7.87	0.290	0.310
L	2.79	3.81	0.110	0.150
S-8	1.02	2.03	0.040	0.080
S-14	1.02	2.03	0.040	0.080
S-16	0.38	1.52	0.015	0.060
S-20	1.02	2.03	0.040	0.080
Θ	0°	15°	0°	15°

PLCC, 20–44 Leads



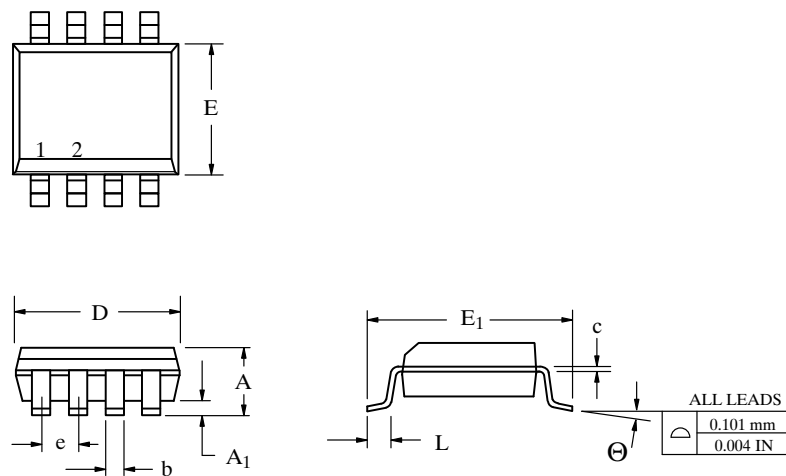
Dim	Millimeters		Inches	
	Min	Max	Min	Max
A	4.20	4.57	0.165	0.180
A ₁	2.29	3.04	0.090	0.120
b	0.66	0.81	0.026	0.032
b ₁	0.33	0.55	0.013	0.021
D-20	9.78	10.03	0.385	0.395
D-44	17.40	17.65	0.685	0.695
D ₁ -20	8.89	9.04	0.350	0.356
D ₁ -44	16.51	16.66	0.650	0.656
E-20	9.78	10.03	0.385	0.395
E-44	17.40	17.65	0.685	0.695
e	1.27 BSC		0.050 BSC	
L	0.51	–	0.020	–

Sidebrazed DIP, 14–24 Leads



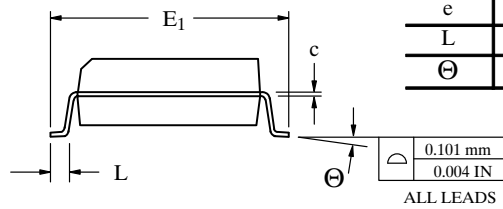
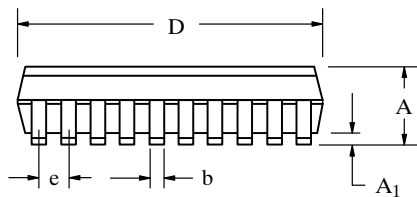
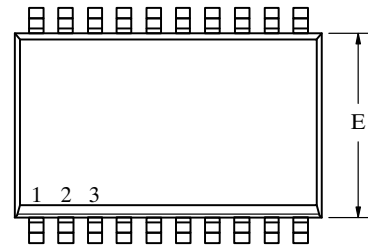
Dim	Millimeters		Inches	
	Min	Max	Min	Max
A	2.67	4.44	0.105	0.175
b	0.97	1.52	0.038	0.060
b ₁	0.38	0.53	0.015	0.021
c	0.20	0.30	0.008	0.012
D-14	17.53	19.55	0.690	0.770
D-16	19.56	21.08	0.770	0.830
D-20	24.89	26.16	0.890	1.030
D-24	29.97	31.24	1.180	1.230
E	7.12	7.87	0.280	0.310
E ₁	7.37	8.25	0.290	0.325
e	2.54 BSC		0.100 BSC	
e ₁	7.62 BSC		0.300 BSC	
L	3.18	4.44	0.125	0.175
L ₁	0.64	1.39	0.025	0.055
Q	0.25	–	0.010	–
S-14	0.77	2.41	0.030	0.095
S-16	0.51	1.65	0.020	0.065
S-20	0.77	1.65	0.030	0.065
S-24	0.77	2.41	0.030	0.095

SOIC, 8–16 Leads



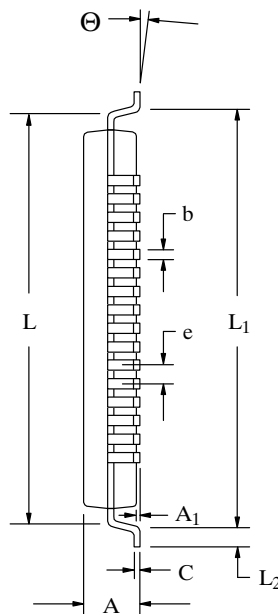
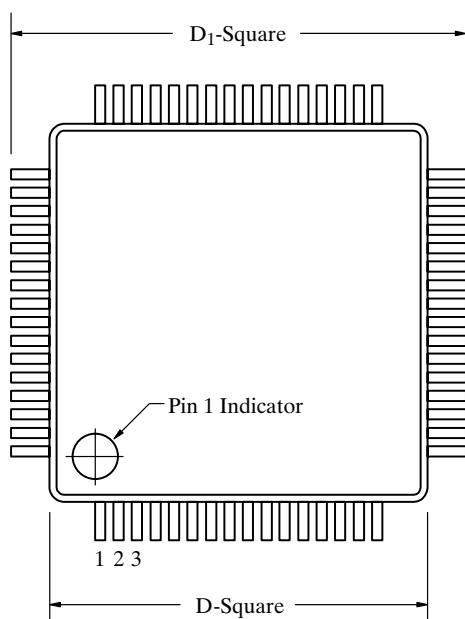
Dim	Millimeters		Inches	
	Min	Max	Min	Max
A	1.35	1.75	0.053	0.069
A ₁	0.10	0.20	0.004	0.008
B	0.35	0.45	0.014	0.018
c	0.18	0.23	0.007	0.009
D-8	4.69	5.00	0.185	0.196
D-14	8.55	8.75	0.336	0.344
D-16	9.80	10.00	0.385	0.393
E	3.50	4.05	0.140	0.160
E ₁	5.70	6.30	0.224	0.248
e	1.27 BSC		0.050 BSC	
L	0.60	0.80	0.024	0.031
Θ	0°	8°	0°	8°

SOIC Wide-Body, 16–28 Leads



Dim	Millimeters		Inches	
	Min	Max	Min	Max
A	2.15	2.90	0.085	0.114
A ₁	0.10	0.30	0.004	0.012
b	0.35	0.45	0.014	0.018
c	0.23	0.28	0.009	0.011
D-16	9.95	10.75	0.392	0.423
D-20	12.50	13.30	0.492	0.524
D-24	15.05	15.85	0.593	0.624
D-28	17.60	18.40	0.693	0.724
E	7.25	8.00	0.285	0.315
E ₁	9.80	10.60	0.386	0.417
e	127 BSC		0.050 BSC	
L	0.60	0.80	0.024	0.031
Θ	0°	8°	0°	8°

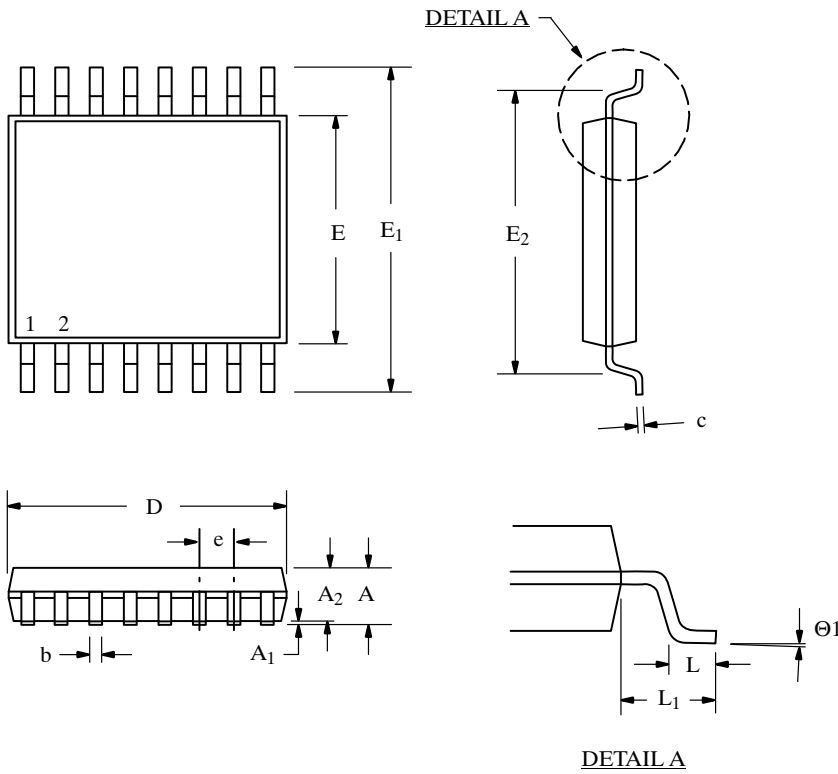
SQFP, 48 Leads



Dim	Millimeters		Inches*	
	Min	Max	Min	Max
A	1.35	1.60	0.053	0.063
A ₁	0.04	0.16	0.002	0.006
b	0.14	0.26	0.006	0.010
C	0.117	0.177	0.005	0.007
D	6.90	7.10	0.272	0.280
D ₁	8.70	9.30	0.343	0.366
e	0.40	0.60	0.016	0.024
L	—	7.80	—	0.307
L ₁	7.80	8.20	0.307	0.323
L ₂	0.30	0.70	0.012	0.028
Θ	0°	7°	0°	7°

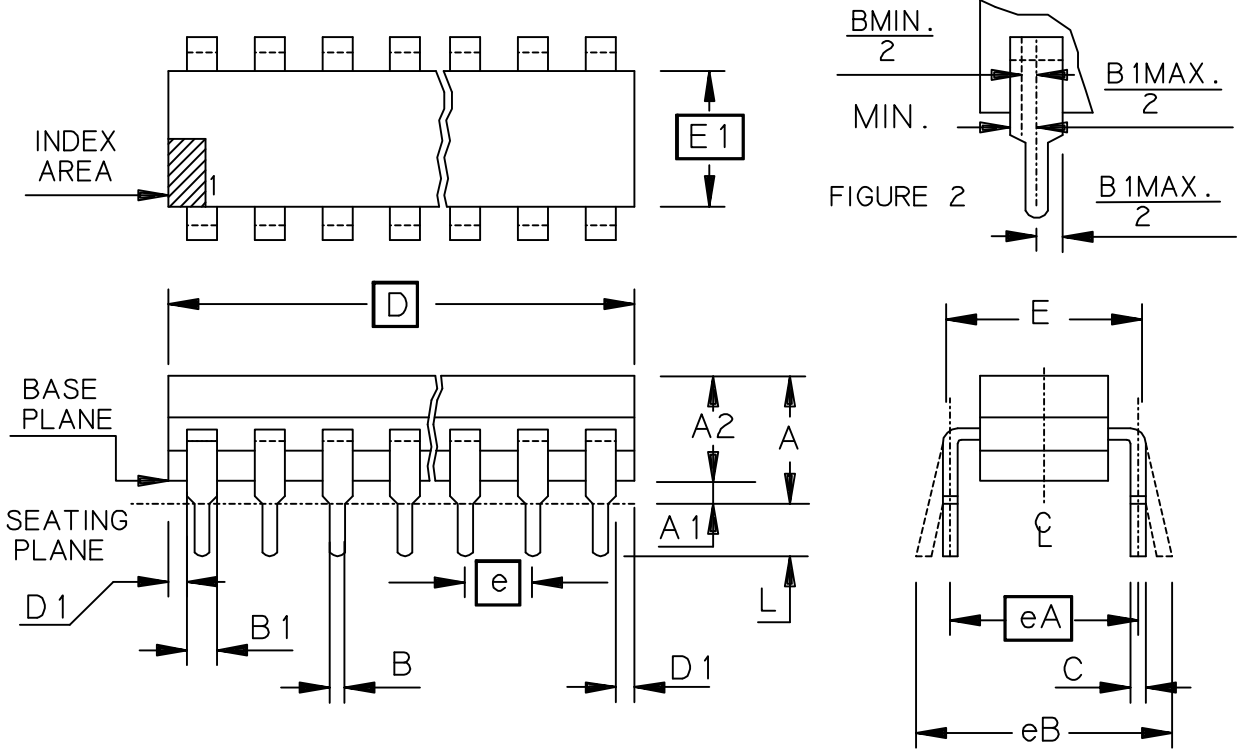
*For Reference Only

TSSOP, 16 Leads



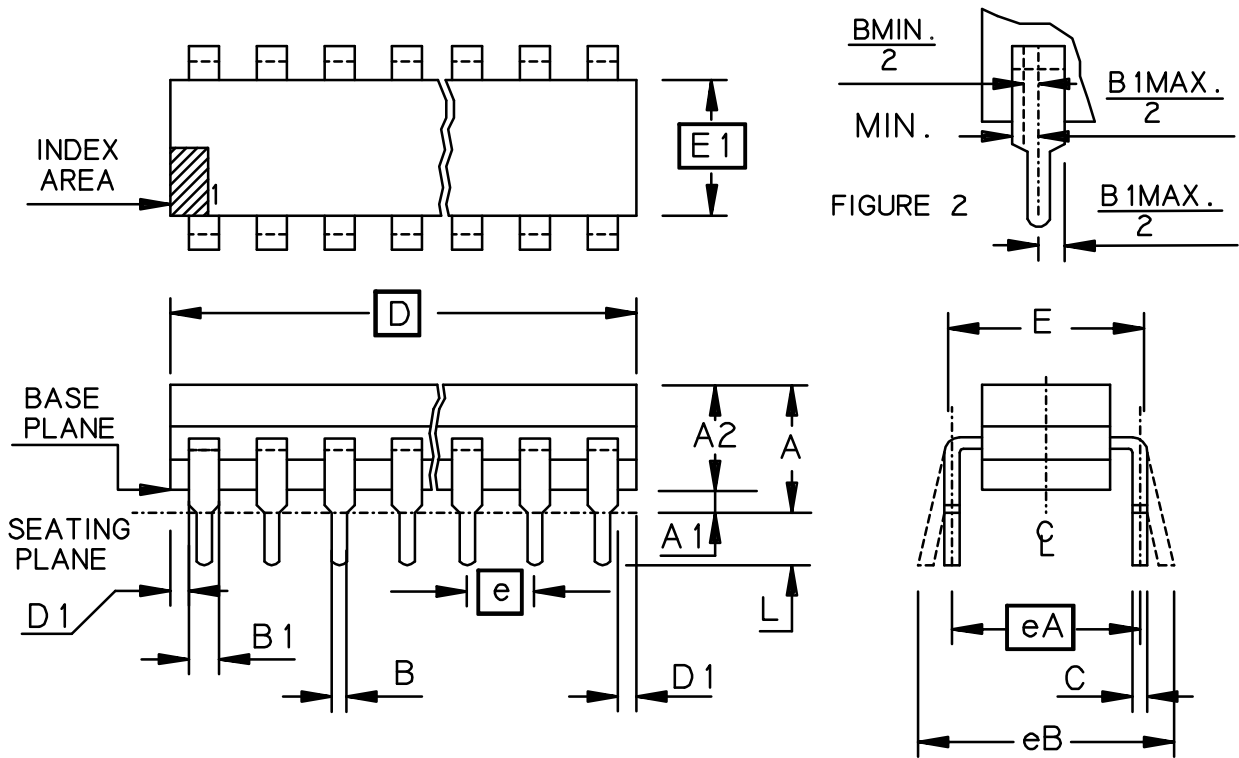
Dim	Millimeters		Inches	
	Min	Max	Min	Max
A	1.05	1.20	0.041	0.047
A ₁	0.05	0.15	0.002	0.006
A ₂	–	1.05	–	0.041
b	0.25	0.30	0.010	0.012
c	0.127		0.005	
D	4.90	5.10	0.193	0.201
E	4.30	4.50	0.170	0.177
E ₁	6.20	6.60	0.244	0.260
E ₂	5.14	5.24	0.202	0.206
e	0.65 BSC		0.025 BSC	
L	0.50	0.70	0.020	0.028
L ₁	1.0		0.039	
Θ ₁	0°	8°	0°	8°

14 PINS PLASTIC .300



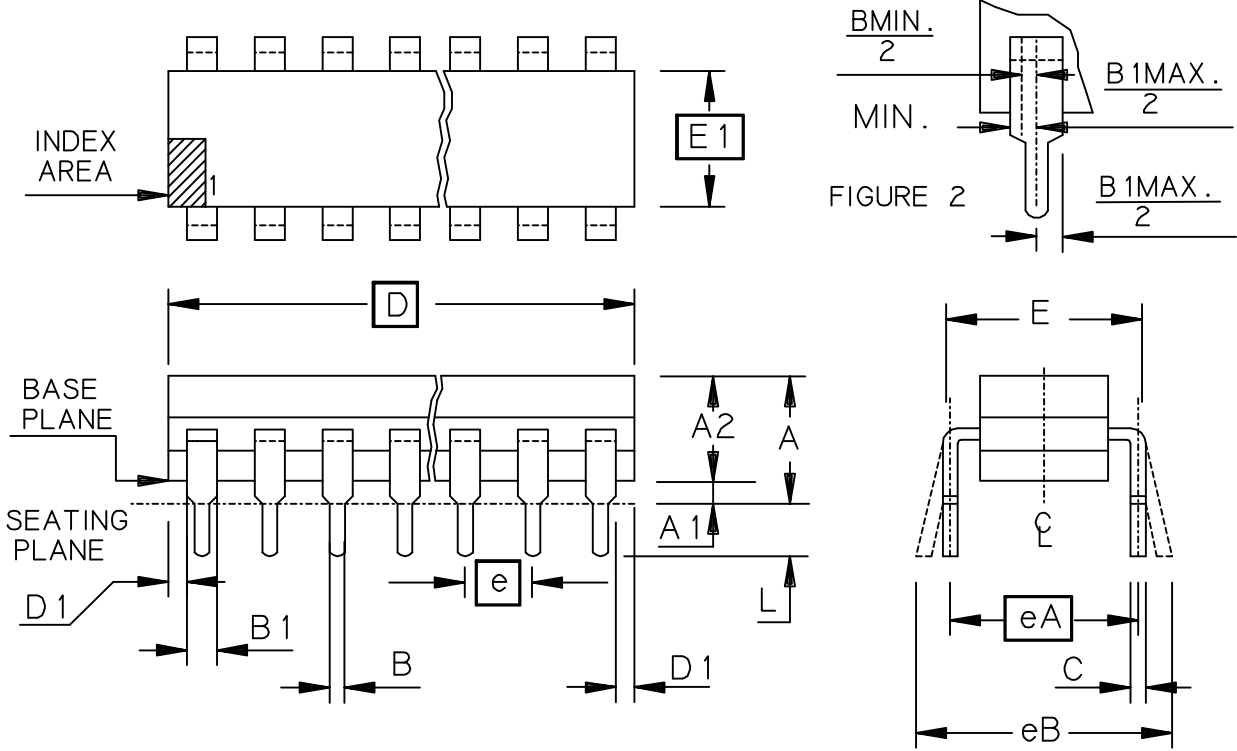
	MM		INCH	
A	-	5.33	-	.210
A1	0.38	-	.015	-
A2	2.92	4.95	.115	.195
B	0.36	-	.014	-
B1	1.14	1.78	.045	.070
C	0.20	0.38	.008	.015
D	18.41	20.19	.725	.795
E	7.62	8.25	.300	.325
E1	6.10	7.11	.240	.280
e	2.54	B.S.C	.100	B.S.C
eA	7.62	B.S.C	.300	B.S.C
eB	-	10.92	-	.430
L	2.92	4.06	.115	.160
D1	0.13	-	.005	-
PKG STD		02		

16 PINS PLASTIC .300



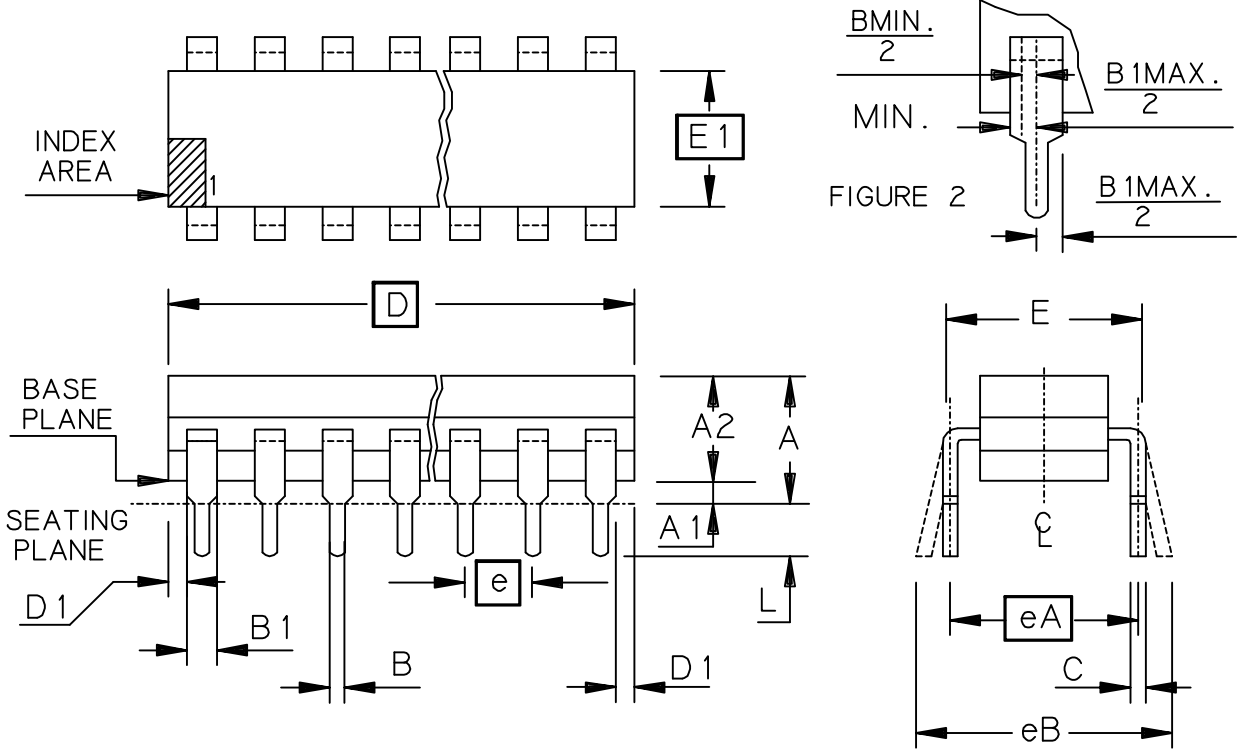
	MM		INCH	
A	-	5.33	-	.210
A1	0.39	-	.015	-
A2	2.92	4.95	.115	.195
B	0.36	-	.014	-
B1	1.14	1.78	.045	.070
C	0.20	0.38	.008	.015
D	18.92	21.34	.745	.840
E	7.62	8.25	.300	.325
E1	6.10	7.11	.240	.280
e	2.54	B.S.C	.100	B.S.C
eA	7.62	B.S.C	.300	B.S.C
eB	-	10.92	-	.430
L	2.92	4.06	.115	.160
D1	0.13	-	.005	-
PKG STD		02		

18 PINS PLASTIC .300



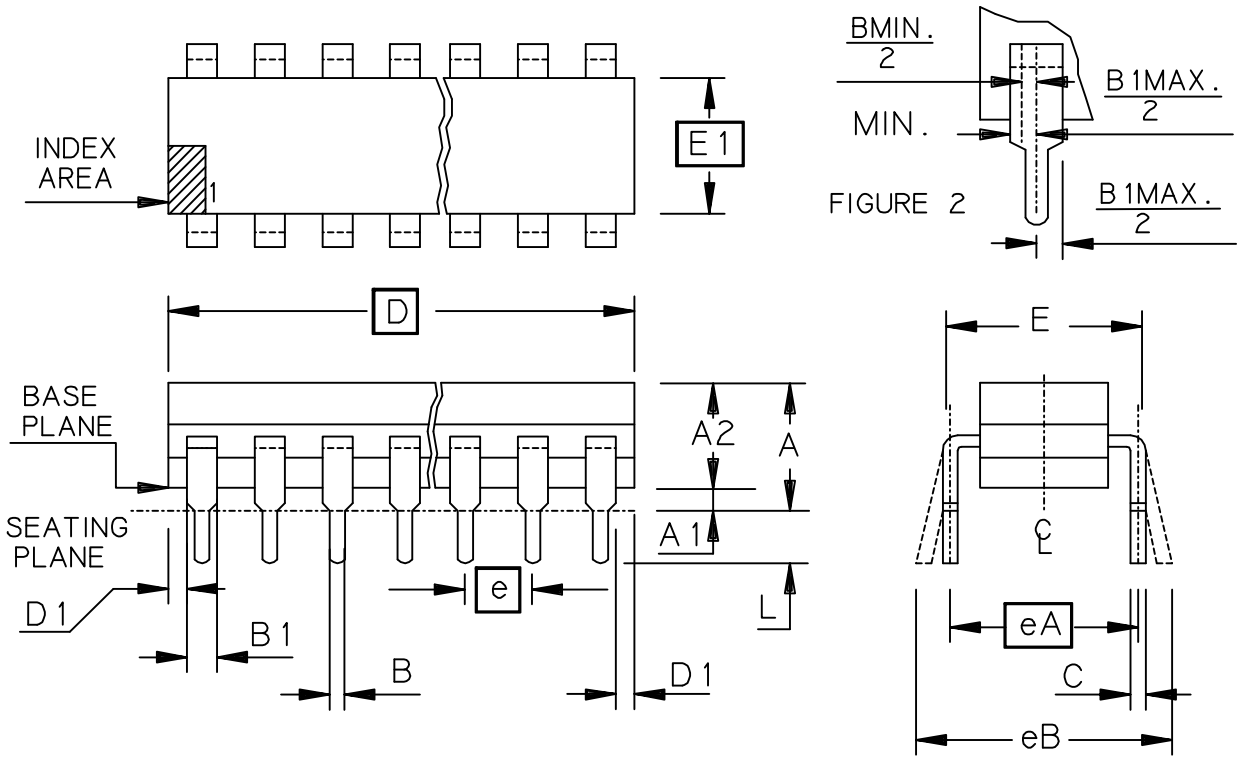
	MM		INCH	
A	-	5.33	-	.210
A1	0.38	-	.015	-
A2	2.92	4.95	.115	.195
B	0.36	-	.014	-
B1	1.14	1.78	.045	.070
C	0.20	0.38	.008	.015
D	21.46	23.49	.845	.925
E	7.62	8.25	.300	.325
E1	6.10	7.11	.240	.280
e	2.54	B.S.C	.100	B.S.C
eA	7.62	B.S.C	.300	B.S.C
eB	-	10.92	-	.430
L	2.93	4.06	.115	.160
D1	0.13	-	.005	-
PKG STD		02		

20 PINS PLASTIC .300



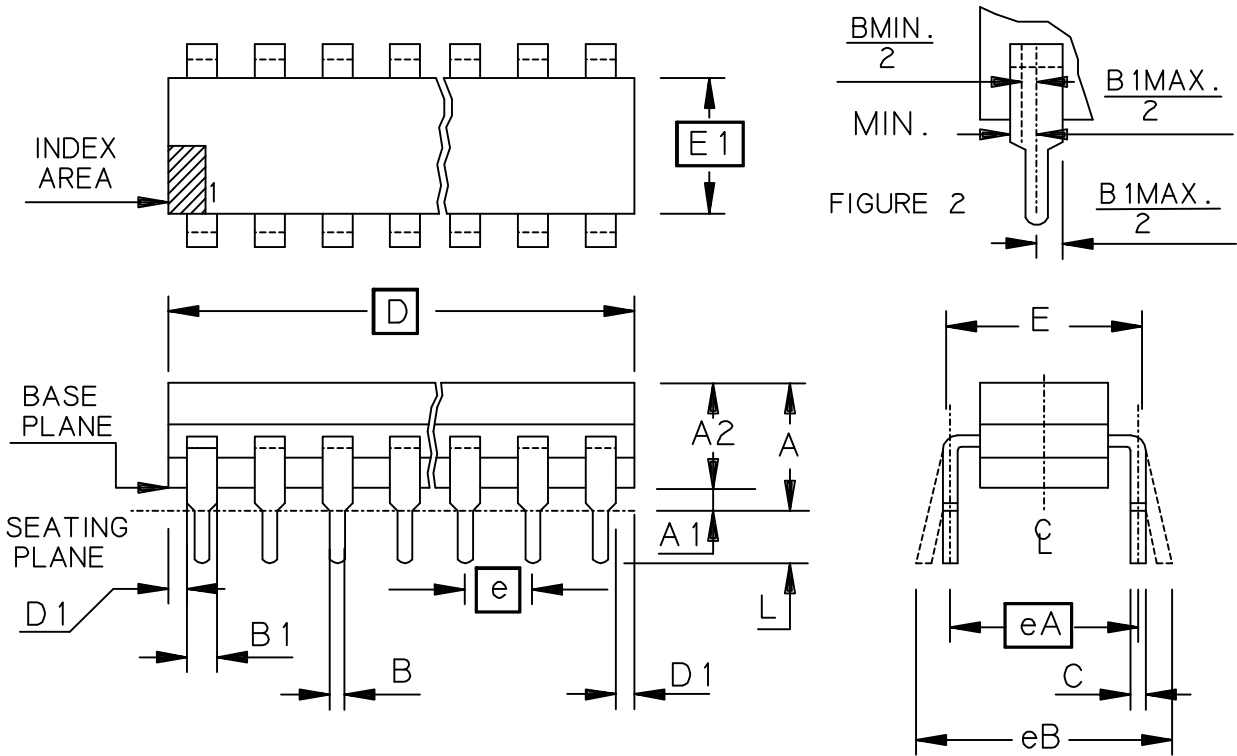
	MM		INCH	
A	-	5.33	-	.210
A1	0.39	-	.015	-
A2	2.92	4.95	.115	.195
B	0.36	-	.014	-
B1	1.14	1.78	.045	.070
C	0.20	0.38	.008	.015
D	23.50	26.90	.925	1.060
E	7.62	8.25	.300	.325
E1	6.10	7.11	.240	.280
e	2.54	B.S.C	.100	B.S.C
eA	7.62	B.S.C	.300	B.S.C
eB	-	10.92	-	.430
L	2.92	4.06	.115	.160
D1	0.13	-	.005	-
PKG STD		02		

22 PINS PLASTIC .300



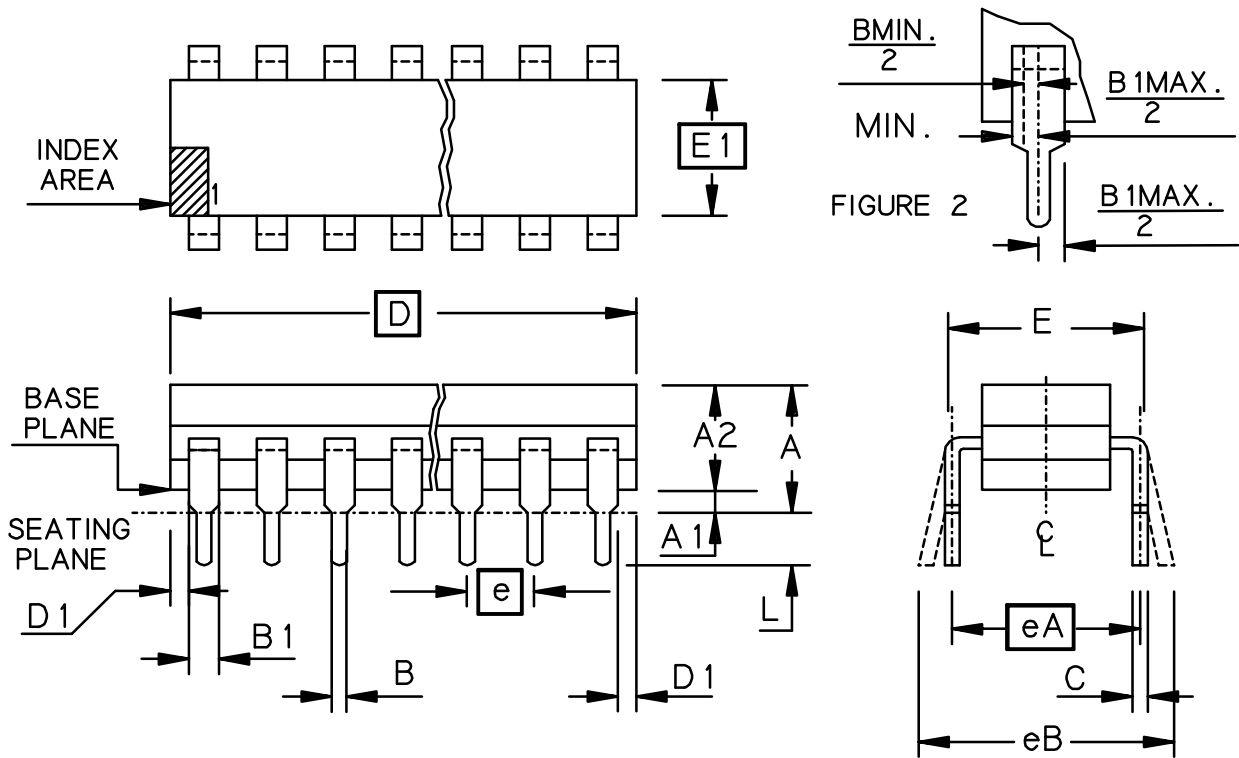
	MM		INCH	
A	-	5.33	-	.210
A1	0.39	-	.015	-
A2	2.92	4.95	.115	.195
B	0.36	-	.014	-
B1	1.14	1.78	.045	.070
C	0.20	0.38	.008	.015
D	26.04	26.29	1.025	1.035
E	7.62	8.25	.300	.325
E1	6.10	7.11	.240	.280
e	2.54	B.S.C	.100	B.S.C
eA	7.62	B.S.C	.300	B.S.C
eB	-	10.92	-	.430
L	2.92	4.06	.115	.160
D1	0.13	-	.005	-
PKG STD		00		

22 PINS PLASTIC .400



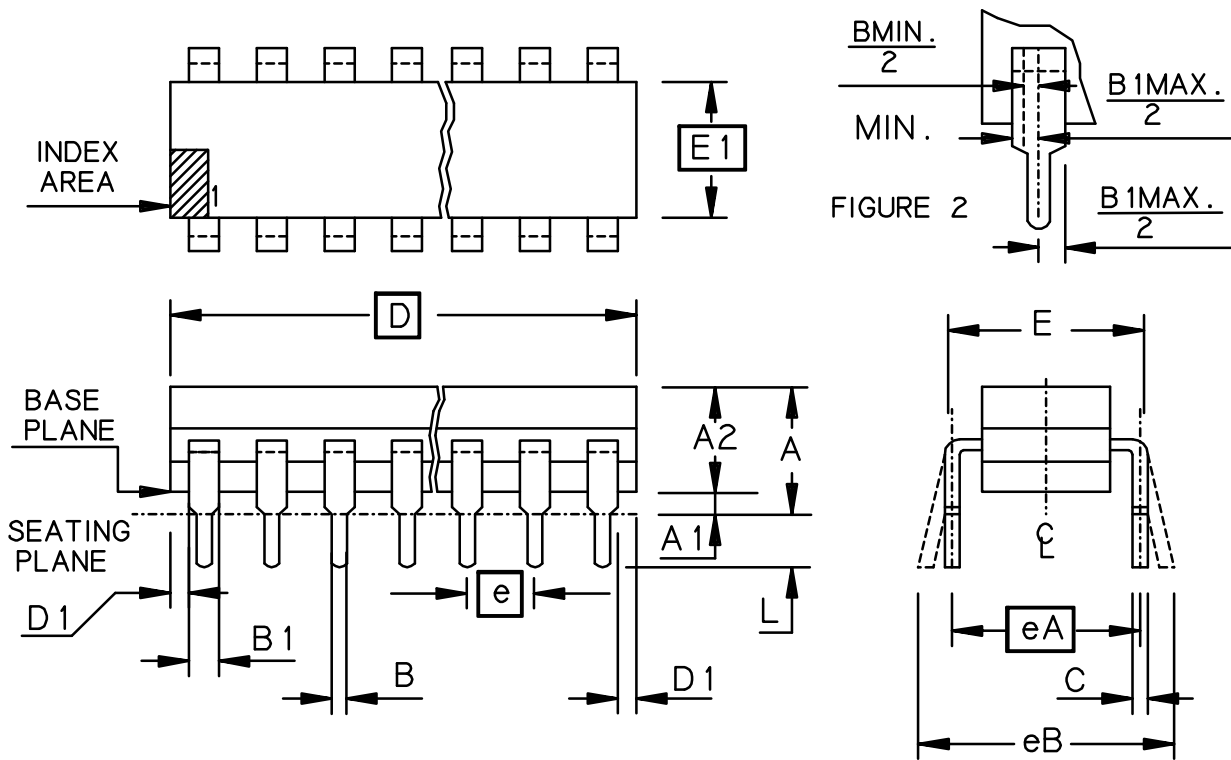
	MM		INCH	
A	-	5.33	-	.210
A1	0.39	-	.015	-
A2	3.18	4.95	.125	.195
B	0.36	0.56	.014	.022
B1	0.76	1.78	.030	.070
C	0.20	0.38	.008	.015
D	26.67	28.45	1.050	1.120
E	9.91	10.79	.390	.425
E1	8.38	9.65	.330	.380
e	2.54	B.S.C	.100	B.S.C
eA	10.16	B.S.C	.400	B.S.C
eB	-	12.70	-	.500
L	2.92	4.06	.115	.160
D1	0.13	-	.005	-
PKG STD		01		

24 PINS PLASTIC .300



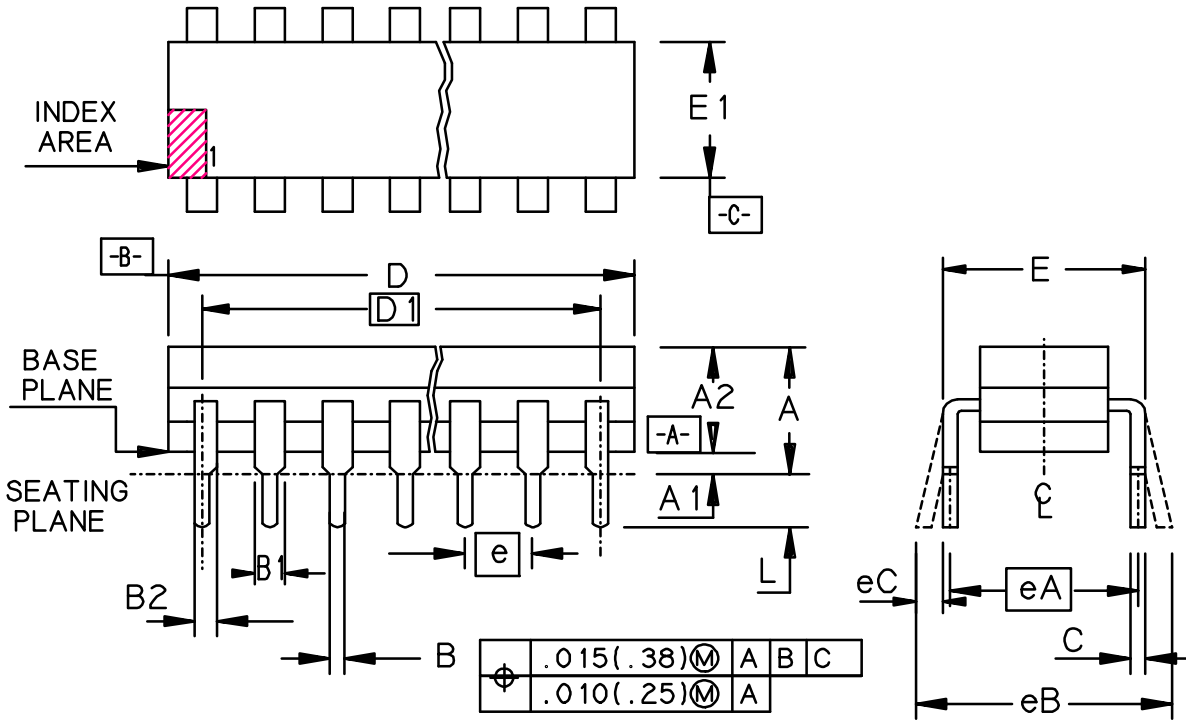
	MM		INCH	
A	-	5.33	-	.210
A1	0.39	-	.015	-
A2	2.92	4.95	.115	.195
B	0.36	-	.014	-
B1	1.14	1.78	.045	.070
C	0.20	0.38	.008	.015
D	28.60	32.30	1.125	1.275
E	7.62	8.25	.300	.325
E1	6.10	7.11	.240	.280
e	2.54	B.S.C	.100	B.S.C
eA	7.62	B.S.C	.300	B.S.C
eB	-	10.92	-	.430
L	2.92	4.06	.115	.160
D1	0.13	-	.005	-
PKG STD		02		

24 PINS PLASTIC .600



	MM		INCH	
A	-	6.35	-	.250
A1	0.38	-	.015	-
A2	3.18	4.95	.125	.195
B	0.36	0.56	.014	.022
B1	0.76	1.78	.030	.070
C	0.20	0.38	.008	.015
D	29.21	32.77	1.150	1.290
E	15.24	15.87	.600	.625
E1	12.32	14.73	.485	.580
e	2.54	B.S.C	.100	B.S.C
eA	15.24	B.S.C	.600	B.S.C
eB	-	17.78	-	.700
L	2.93	5.08	.115	.200
D1	0.13	-	.005	-
PKG STD		02		

28 PINS PLASTIC .300



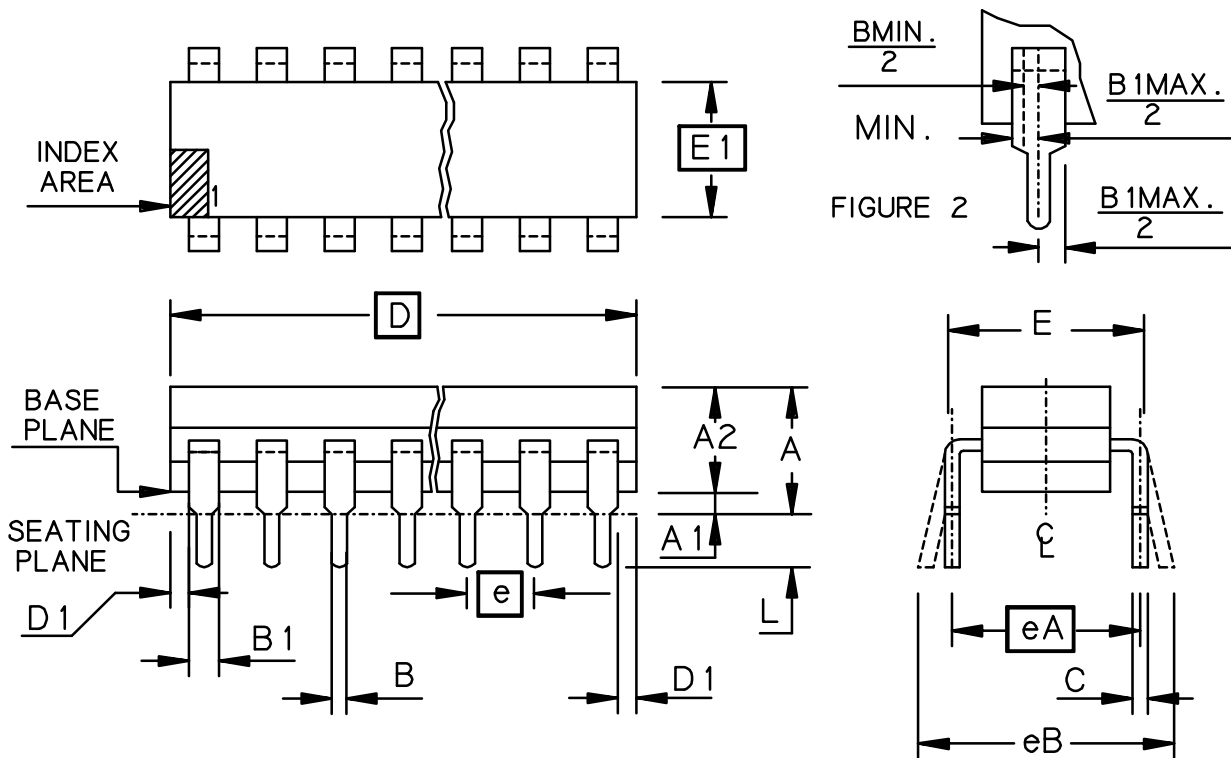
	MM		INCH	
A	-	4.57	-	.180
A1	0.38	-	.015	-
A2	3.05	3.81	.120	.150
B	0.36	0.56	.014	.022
B1	1.14	1.52	.045	.060
B2	0.76	1.14	.030	.045
C	0.20	0.38	.008	.015
D	34.16	35.18	1.345	1.385
D1	33.02 BSC		1.300 BSC	
E	7.62	8.26	.300	.325
E1	6.99	7.49	.275	.295
e	2.54	BSC	.100	BSC
eA	7.62	BSC	.300	BSC
eB	-	10.92	-	.430
eC	0.00	1.52	.000	.060
L	2.79	3.81	.110	.150

COMPLIANT JEDEC M0-095 ISSUE A

CODE : 3P

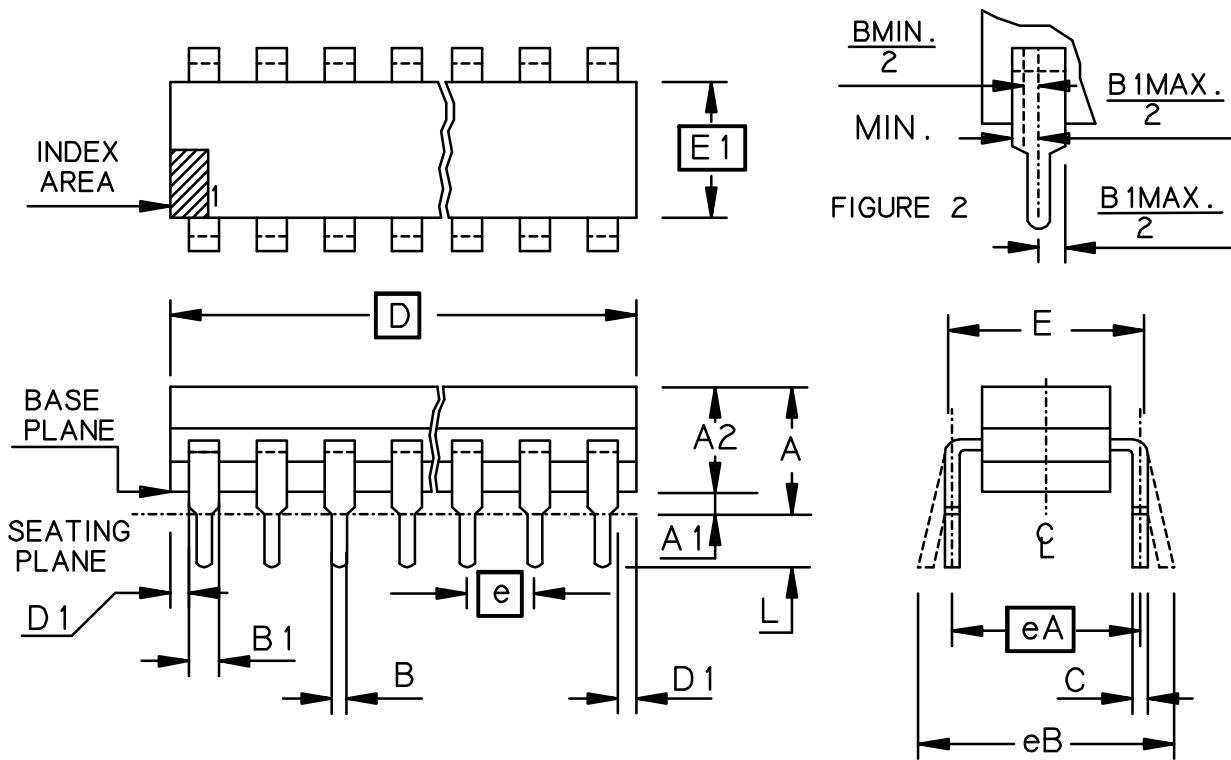
REV : E DATE : 16-06-94

28 PINS PLASTIC .600



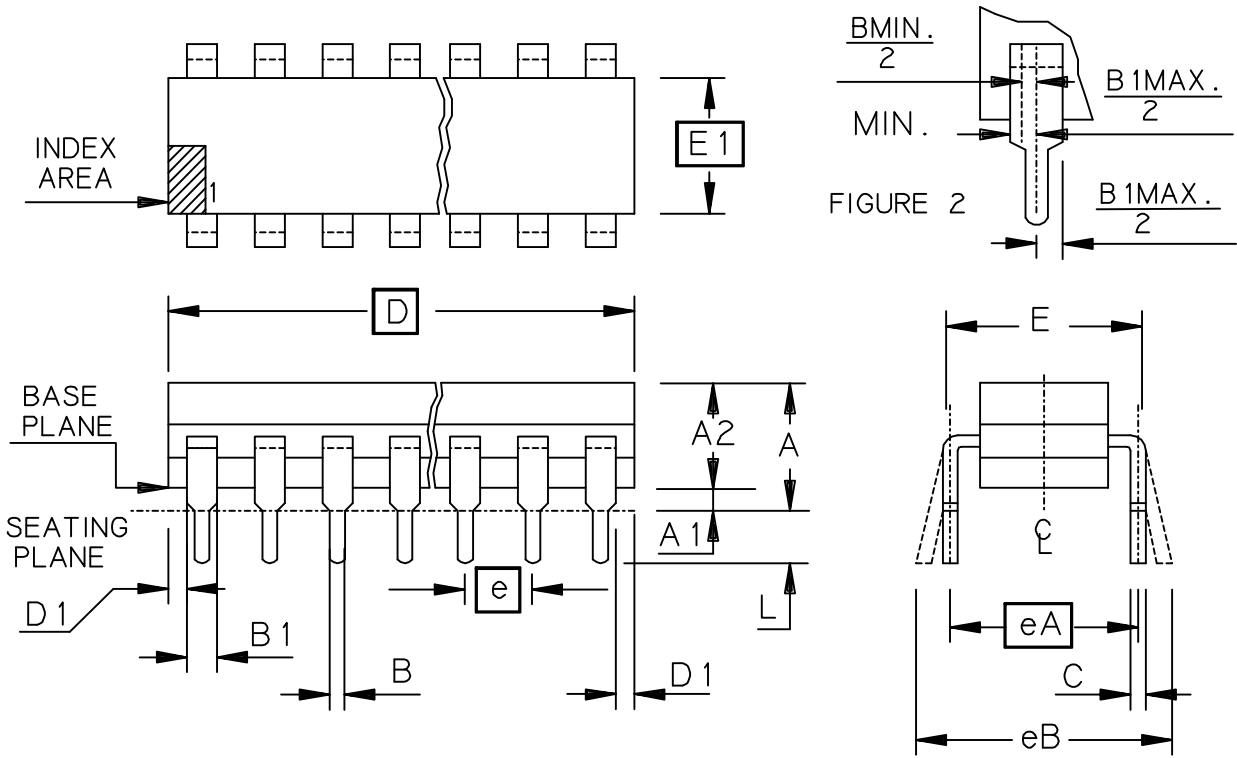
	MM		INCH	
A	-	6.35	-	.250
A1	0.38	-	.015	-
A2	3.18	4.95	.125	.195
B	0.36	0.56	.014	.022
B1	0.76	1.78	.030	.070
C	0.20	0.38	.008	.015
D	35.05	39.75	1.380	1.565
E	15.24	15.87	.600	.625
E1	12.32	14.73	.485	.580
e	2.54	B.S.C	.100	B.S.C
eA	15.24	B.S.C	.600	B.S.C
eB	-	17.78	-	.700
L	2.93	5.08	.115	.200
D1	0.13	-	.005	-
PKG STD		02		

40 PINS PLASTIC .600



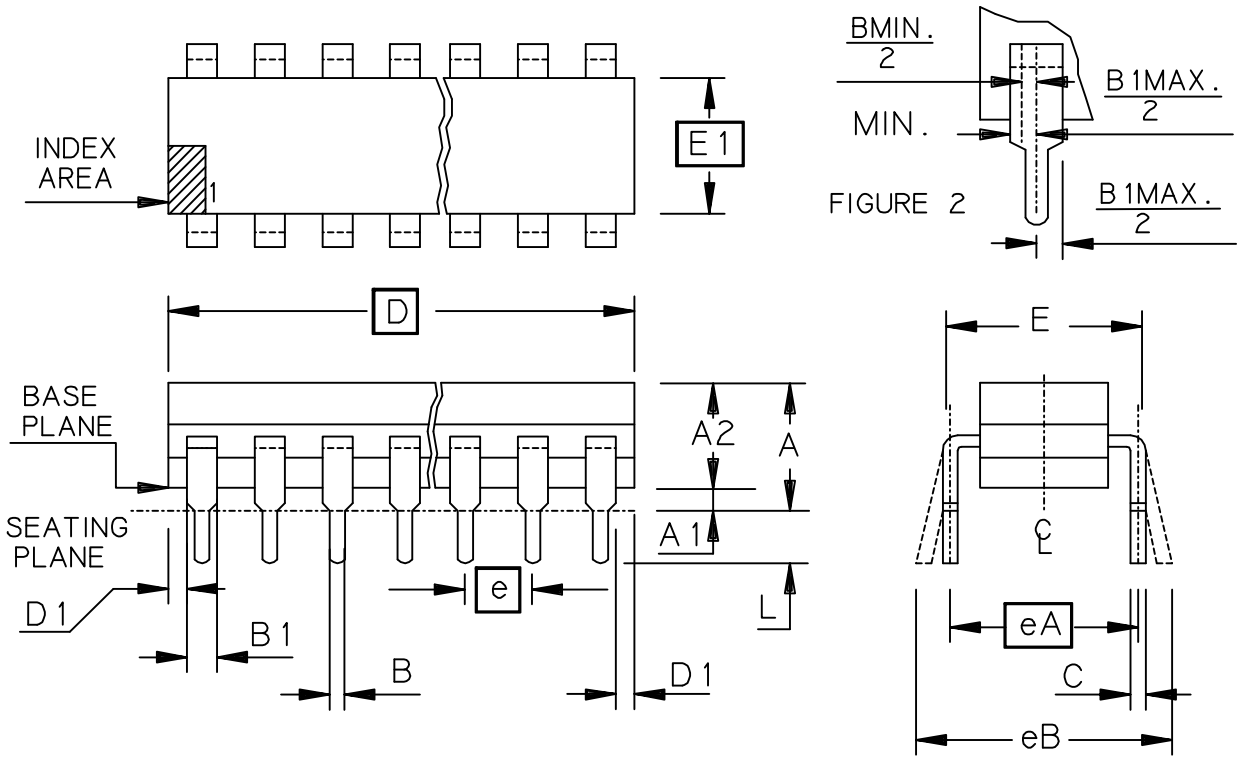
	MM		INCH	
A	-	5.08	-	.200
A1	0.38	-	.015	-
A2	3.18	4.95	.125	.195
B	0.36	0.56	.014	.022
B1	0.76	1.78	.030	.070
C	0.20	0.38	.008	.015
D	50.29	53.21	1.980	2.095
E	15.24	15.87	.600	.625
E1	12.32	14.73	.485	.580
e	2.54	B.S.C	.100	B.S.C
eA	15.24	B.S.C	.600	B.S.C
eB	-	17.78	-	.700
L	2.93	3.81	.115	.150
D1	0.13	-	.005	-
PKG STD		02		

48 PINS PLASTIC .600



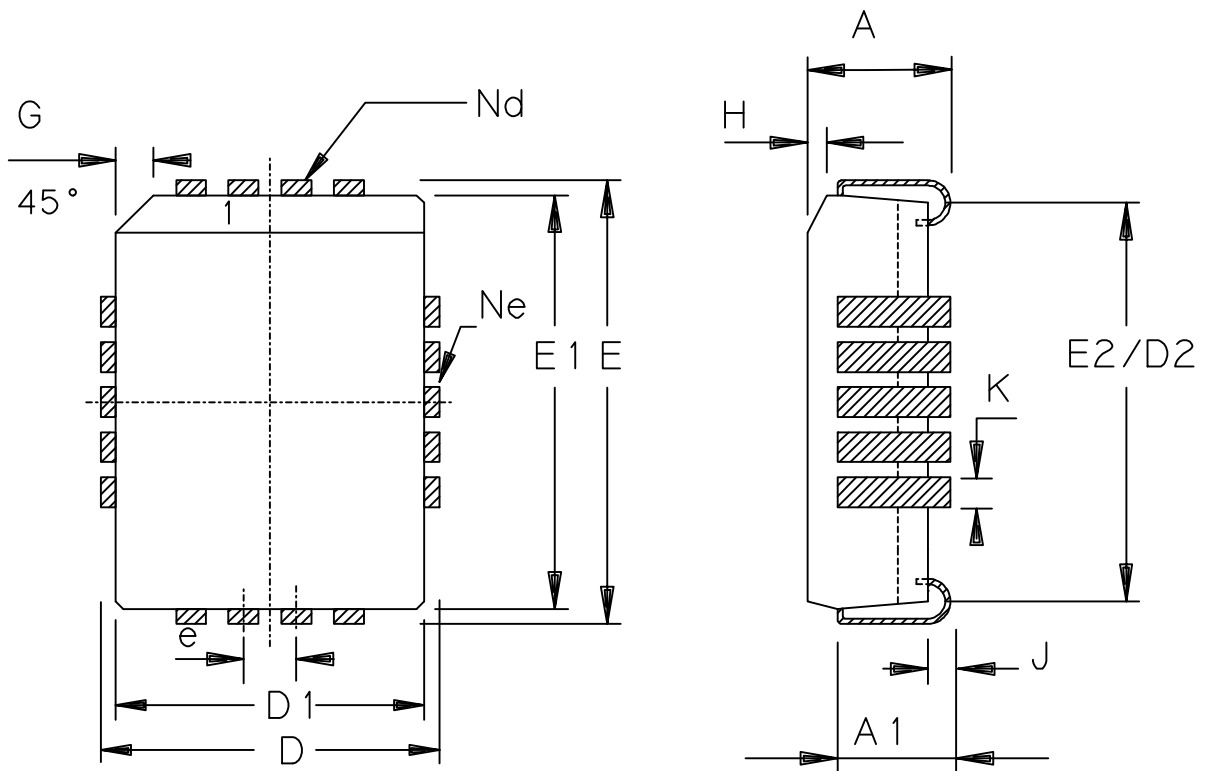
	MM		INCH	
A	-	6.35	-	.250
A1	0.38	-	.015	-
A2	3.18	4.95	.125	.195
B	0.36	0.56	.014	.022
B1	0.76	1.78	.030	.070
C	0.20	0.38	.008	.015
D	61.98	62.48	2.440	2.460
E	15.24	15.87	.600	.625
E1	12.32	14.73	.485	.580
e	2.54	B.S.C	.100	B.S.C
eA	15.24	B.S.C	.600	B.S.C
eB	-	17.78	-	.700
L	2.93	5.08	.115	.200
D1	0.13	-	.005	-
PKG STD		01		

64 PINS PLASTIC .900



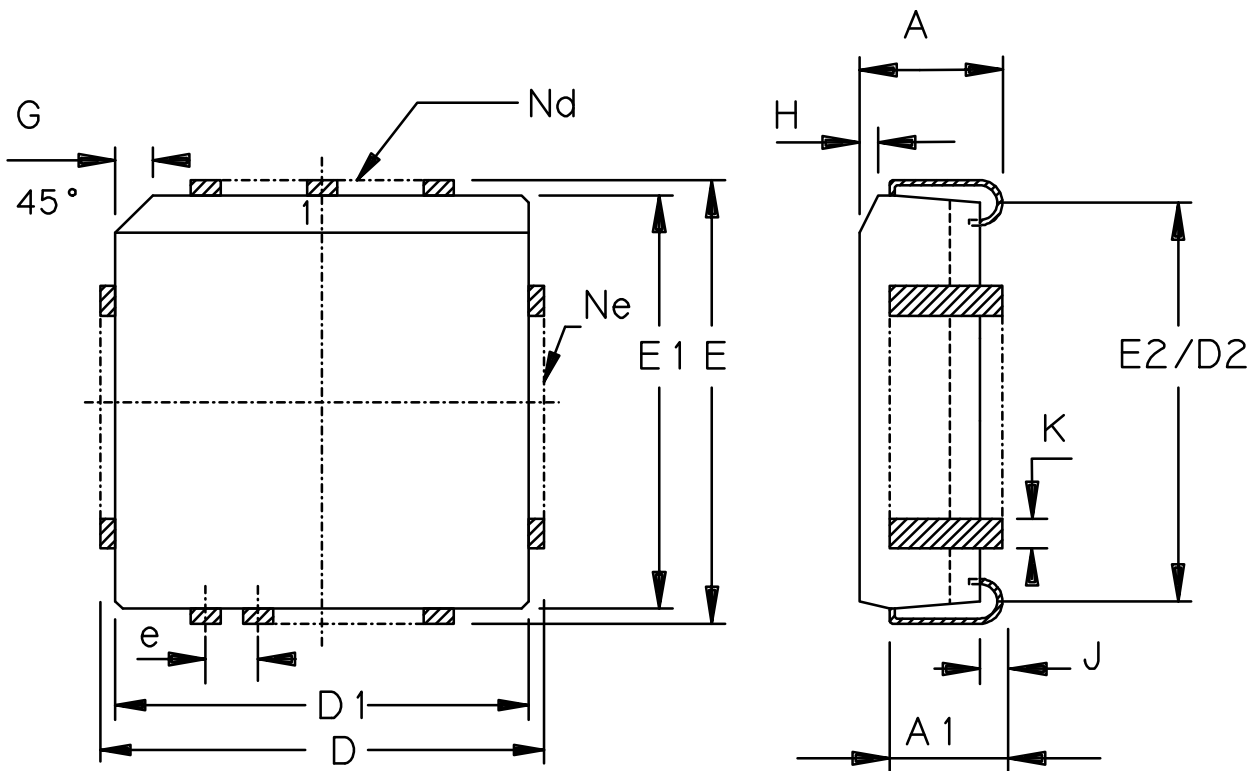
	MM		INCH	
A	-	6.35	-	.250
A1	0.38	-	.015	-
A2	3.18	4.95	.125	.195
B	0.36	0.56	.014	.022
B1	0.76	1.78	.030	.070
C	0.20	0.38	.008	.015
D	81.28	82.30	3.200	3.240
E	22.86	23.49	.900	.925
E1	20.19	20.45	.795	.805
e	2.54	B.S.C	.100	B.S.C
eA	22.86	B.S.C	.900	B.S.C
eB	-	25.40	-	1.000
L	2.93	5.08	.115	.200
D1	0.13	-	.005	-
PKG STD		00		

18 PINS PLCC



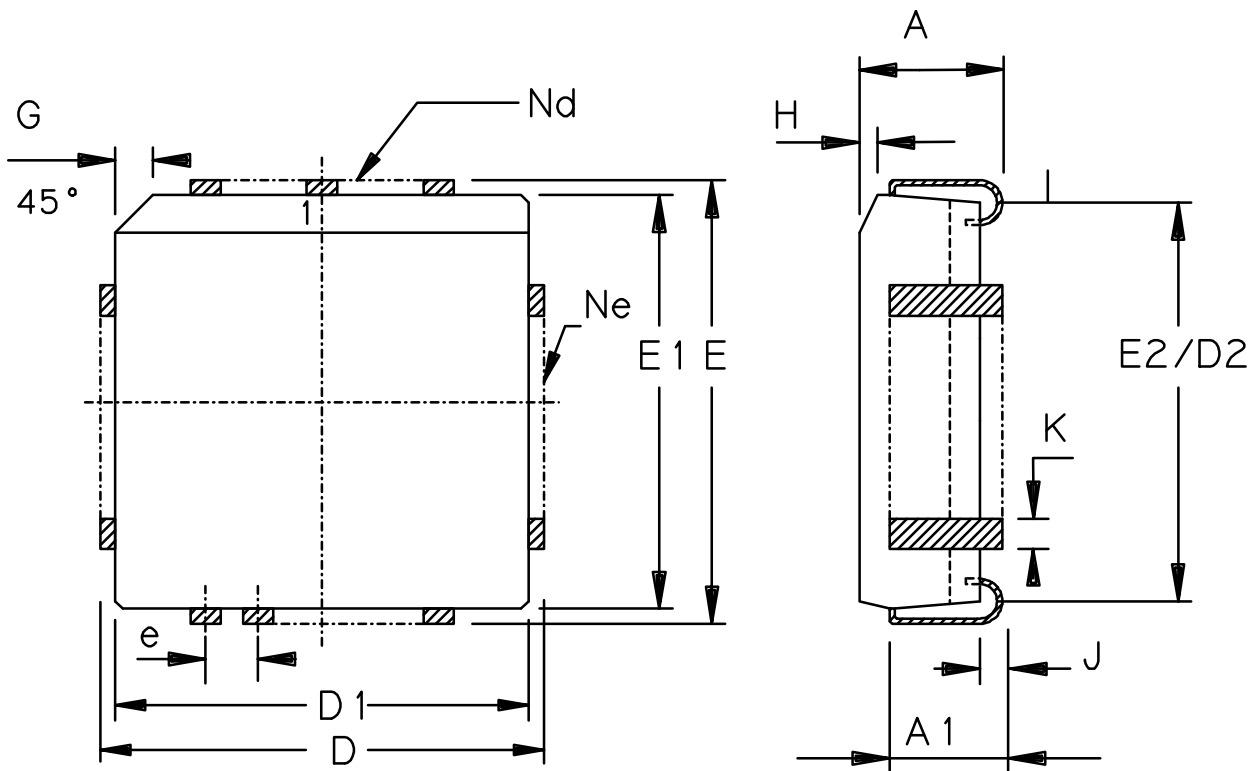
	MM		INCH	
	A	2.54	3.56	.100
A1	1.52	2.41	.060	.095
D	8.05	8.30	.317	.327
D1	7.16	7.31	.282	.288
D2	5.64	6.73	.222	.265
E	11.61	11.86	.457	.467
E1	10.72	10.87	.422	.428
E2	9.19	10.29	.362	.405
e	1.27	BSC	.050	BSC
G	1.07	1.22	.042	.048
H	0.58	0.74	.023	.029
J	0.38	-	.015	-
K	0.33	0.53	.013	.021
Nd	4		4	
Ne	5		5	
PKG STD	00			

20 PINS PLCC



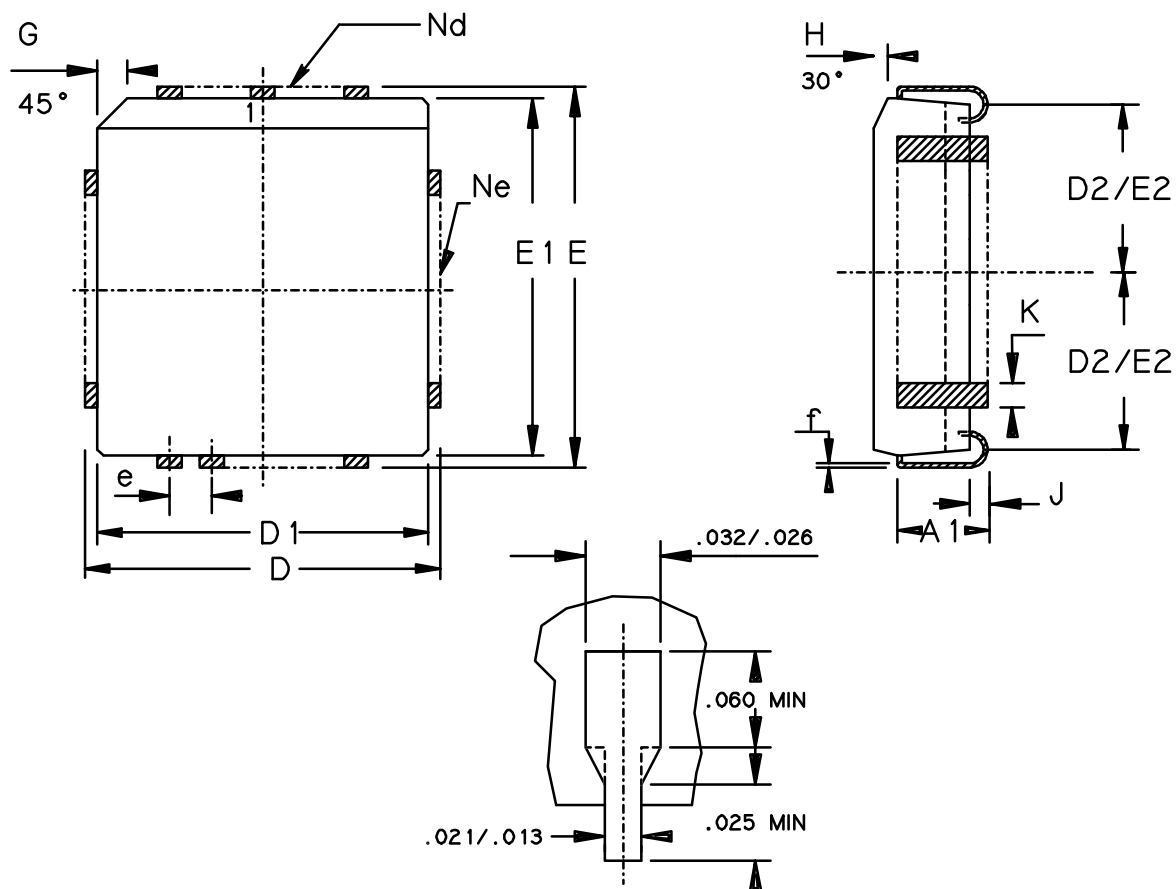
	MM		INCH	
	A	4.20	4.57	.165
A1	2.29	3.04	.090	.120
D	9.78	10.03	.385	.395
D1	8.89	9.04	.350	.356
D2	7.37	8.38	.290	.330
E	9.78	10.03	.385	.395
E1	8.89	9.04	.350	.356
E2	7.37	8.38	.290	.330
e	1.27	BSC	.050	BSC
G	1.07	1.22	.042	.048
H	1.07	1.42	.042	.056
J	0.51	-	.020	-
K	0.33	0.53	.013	.021
Nd	5		5	
Ne	5		5	
PKG STD	00			

28 PINS PLCC



	MM		INCH	
	A	4.20	4.57	.165
A1	2.29	3.04	.090	.120
D	12.32	12.57	.485	.495
D1	11.43	11.58	.450	.456
D2	9.91	10.92	.390	.430
E	12.32	12.57	.485	.495
E1	11.43	11.58	.450	.456
E2	9.91	10.92	.390	.430
e	1.27	BSC	.050	BSC
G	1.07	1.22	.042	.048
H	1.07	1.42	.042	.056
J	0.51	-	.020	-
K	0.33	0.53	.013	.021
Nd	7		7	
Ne	7		7	
PKG STD	00			

32 PINS RECTANGULAR PLCC



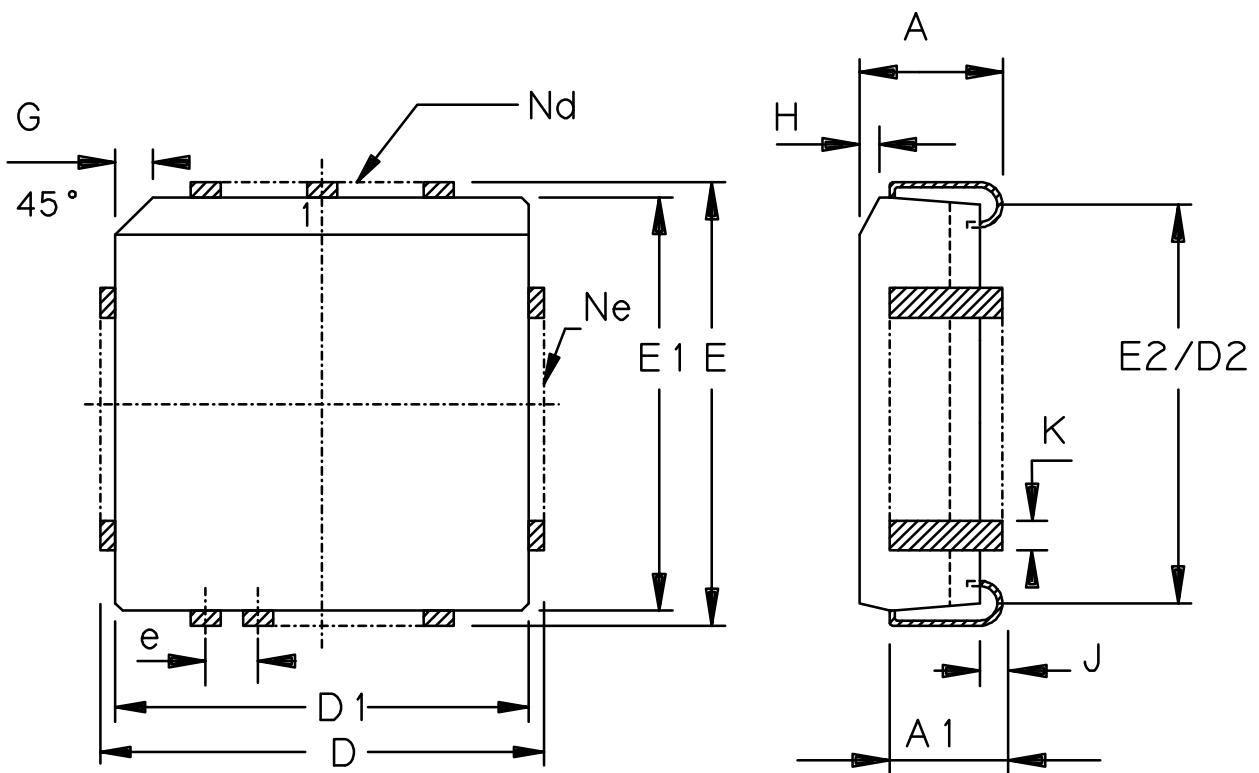
	MM		INCH	
A	3.18	3.55	.125	.140
A1	1.53	2.41	.060	.095
D	12.32	12.57	.485	.495
D1	11.36	11.50	.447	.453
D2	4.78	5.66	.188	.223
E	14.86	15.11	.585	.595
E1	13.90	14.04	.547	.553
E2	6.05	6.93	.238	.273
e	1.27 BSC		.050 BSC	
f	0.25 TYP		.010 TYP	
G	1.06	1.22	.042	.048
H	0.58	0.74	.023	.029
J	0.38	-	.015	-
K	0.66	0.82	.026	.032
Nd/Ne	7/9		7/9	

COMPLIANT JEDEC MS-016

CODE : S1

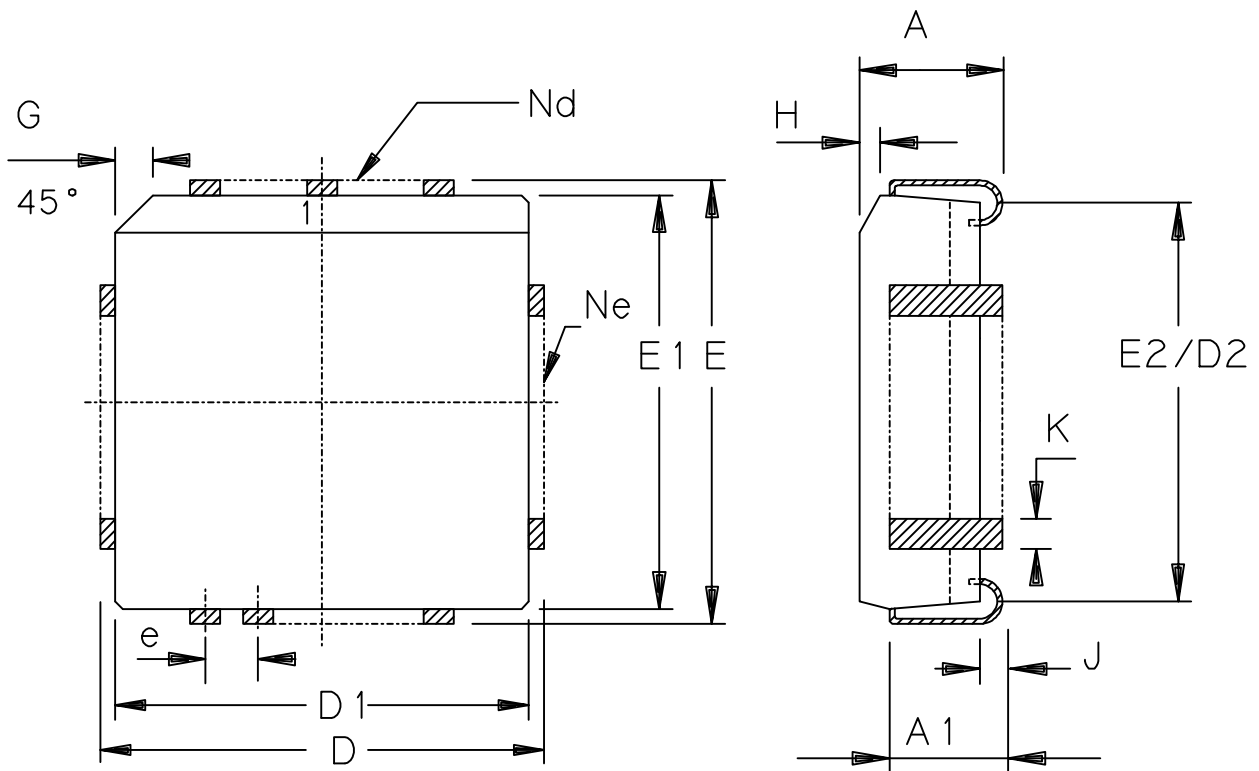
REV : D DATE : 24-07-95

44 PINS PLCC



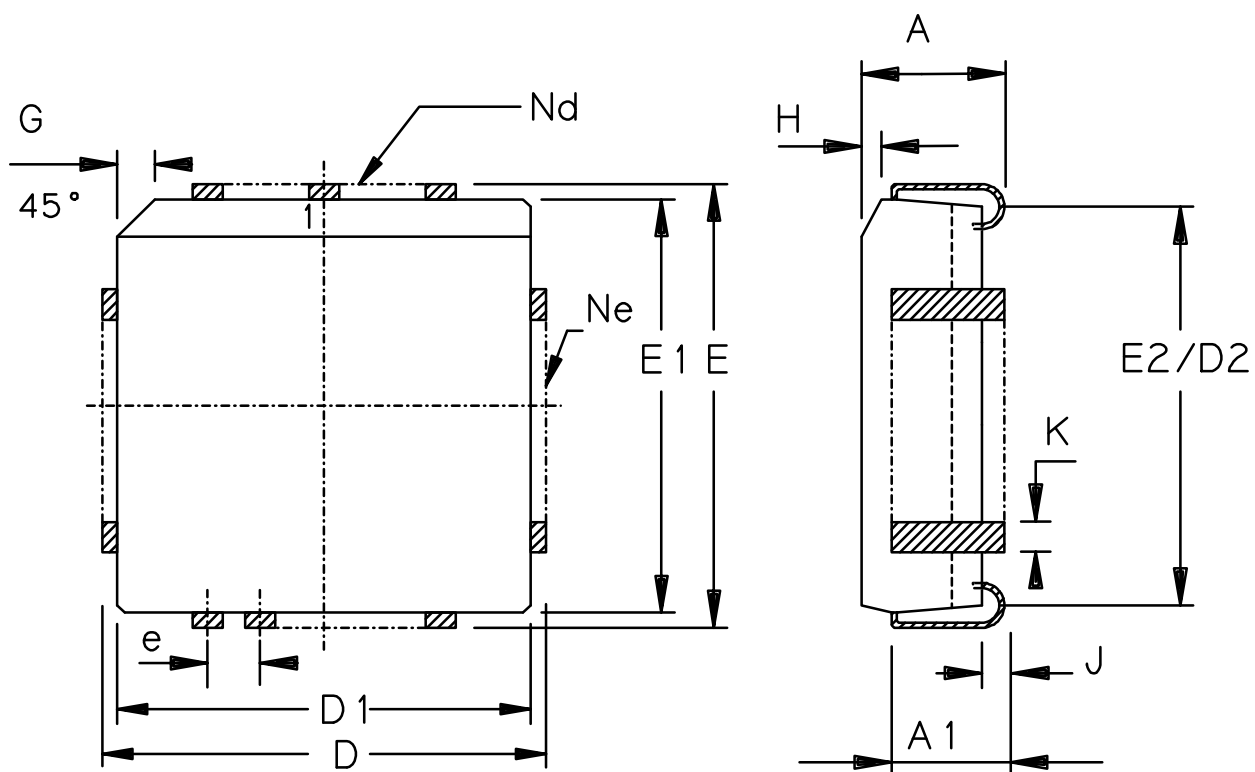
	MM		INCH	
	A	4.20	4.57	.165
A1	2.29	3.04	.090	.120
D	17.40	17.65	.685	.695
D1	16.44	16.66	.647	.656
D2	14.99	16.00	.590	.630
E	17.40	17.65	.685	.695
E1	16.44	16.66	.647	.656
E2	14.99	16.00	.590	.630
e	1.27	BSC	.050	BSC
G	1.07	1.22	.042	.048
H	1.07	1.42	.042	.056
J	0.51	-	.020	-
K	0.33	0.53	.013	.021
Nd	11		11	
Ne	11		11	
PKG STD	00			

52 PINS PLCC



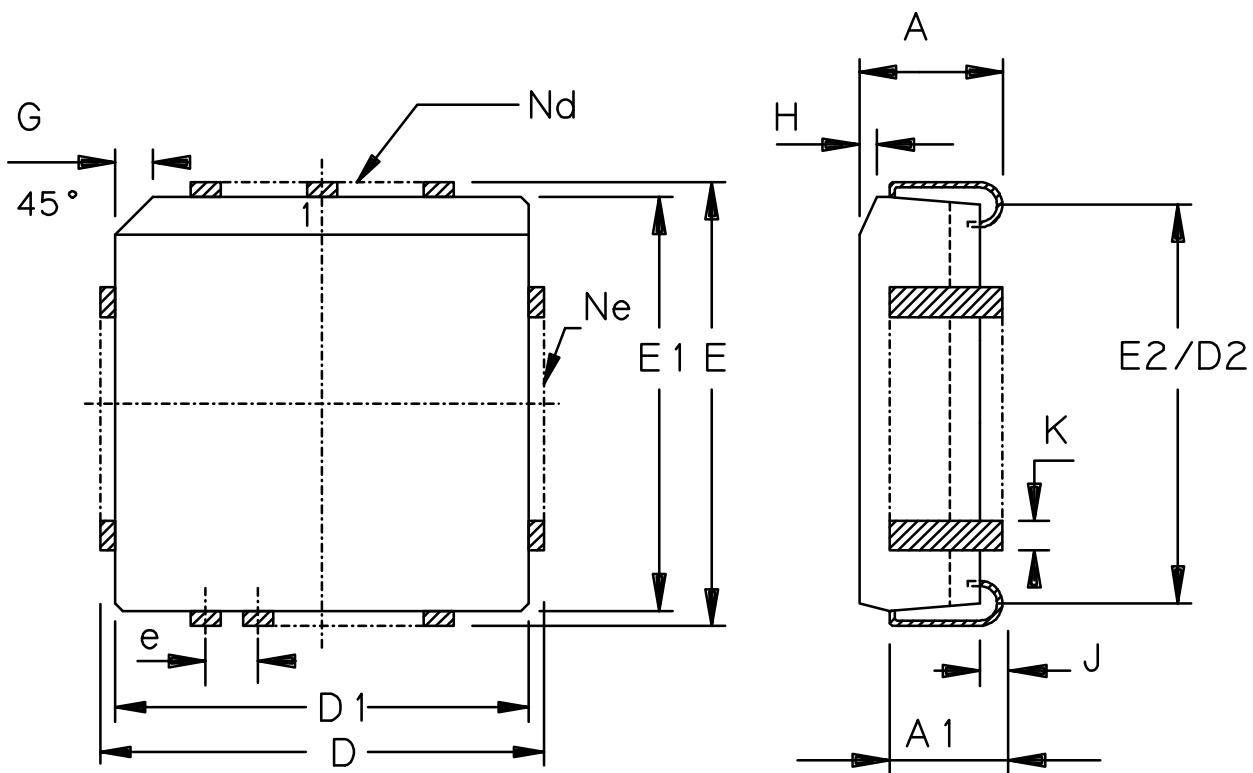
	MM		INCH	
	A	4.20	5.08	.165
A1	2.29	3.30	.090	.130
D	19.94	20.19	.785	.795
D1	19.05	19.25	.750	.758
D2	17.53	18.54	.690	.730
E	19.94	20.19	.785	.795
E1	19.05	19.25	.750	.758
E2	17.53	18.54	.690	.730
e	1.27	BSC	.050	BSC
G	1.07	1.22	.042	.048
H	1.07	1.42	.042	.056
J	0.51	-	.020	-
K	0.33	0.53	.013	.021
Nd	13		13	
Ne	13		13	
PKG STD	00			

68 PINS PLCC



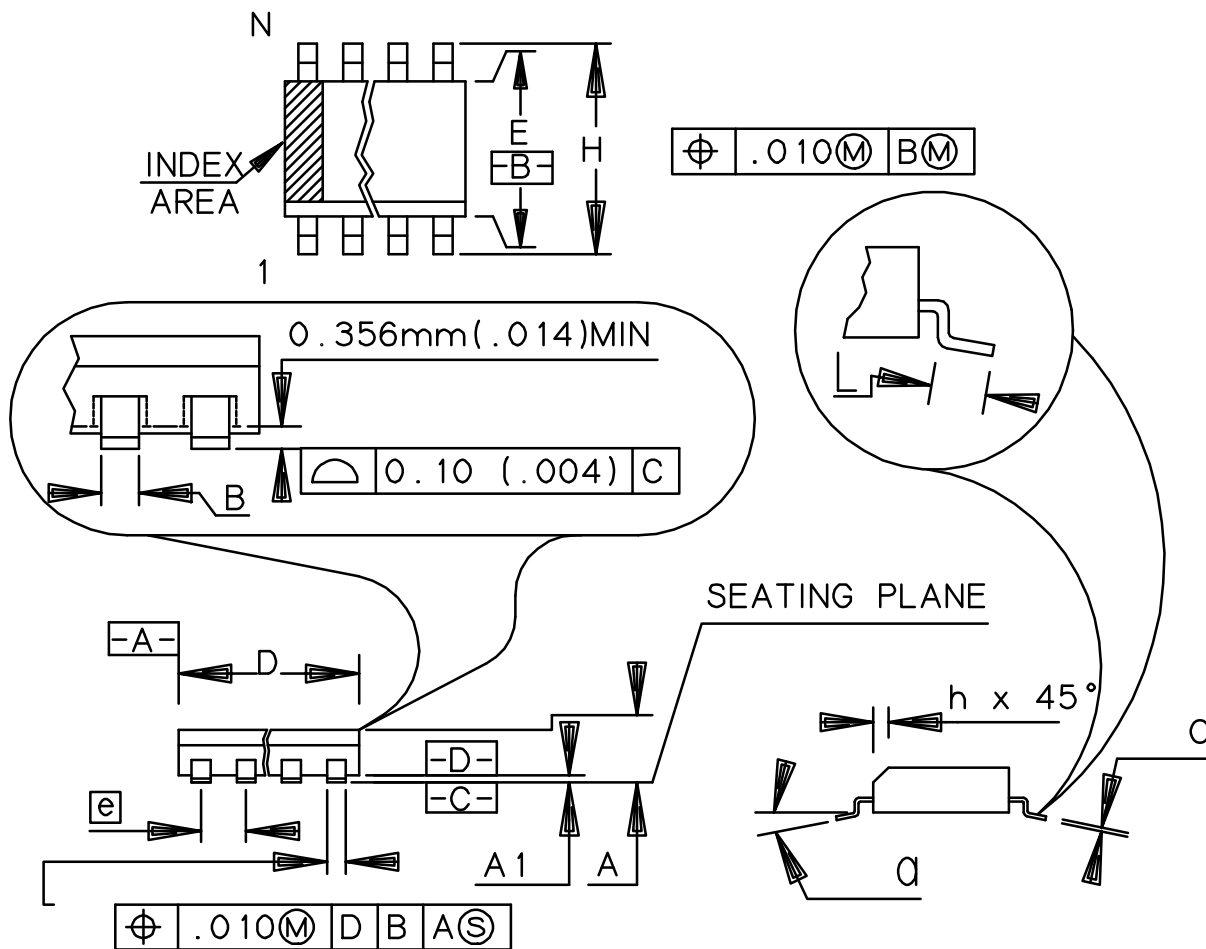
	MM		INCH	
	A	4.20	5.08	.165
A1	2.29	3.30	.090	.130
D	25.02	25.27	.985	.995
D1	24.13	24.33	.950	.958
D2	22.61	23.62	.890	.930
E	25.02	25.27	.985	.995
E1	24.13	24.33	.950	.958
E2	22.61	23.62	.890	.930
e	1.27	BSC	.050	BSC
G	1.07	1.22	.042	.048
H	1.07	1.42	.042	.056
J	0.51	-	.020	-
K	0.33	0.53	.013	.021
Nd	17		17	
Ne	17		17	
PKG STD		00		

84 PINS PLCC



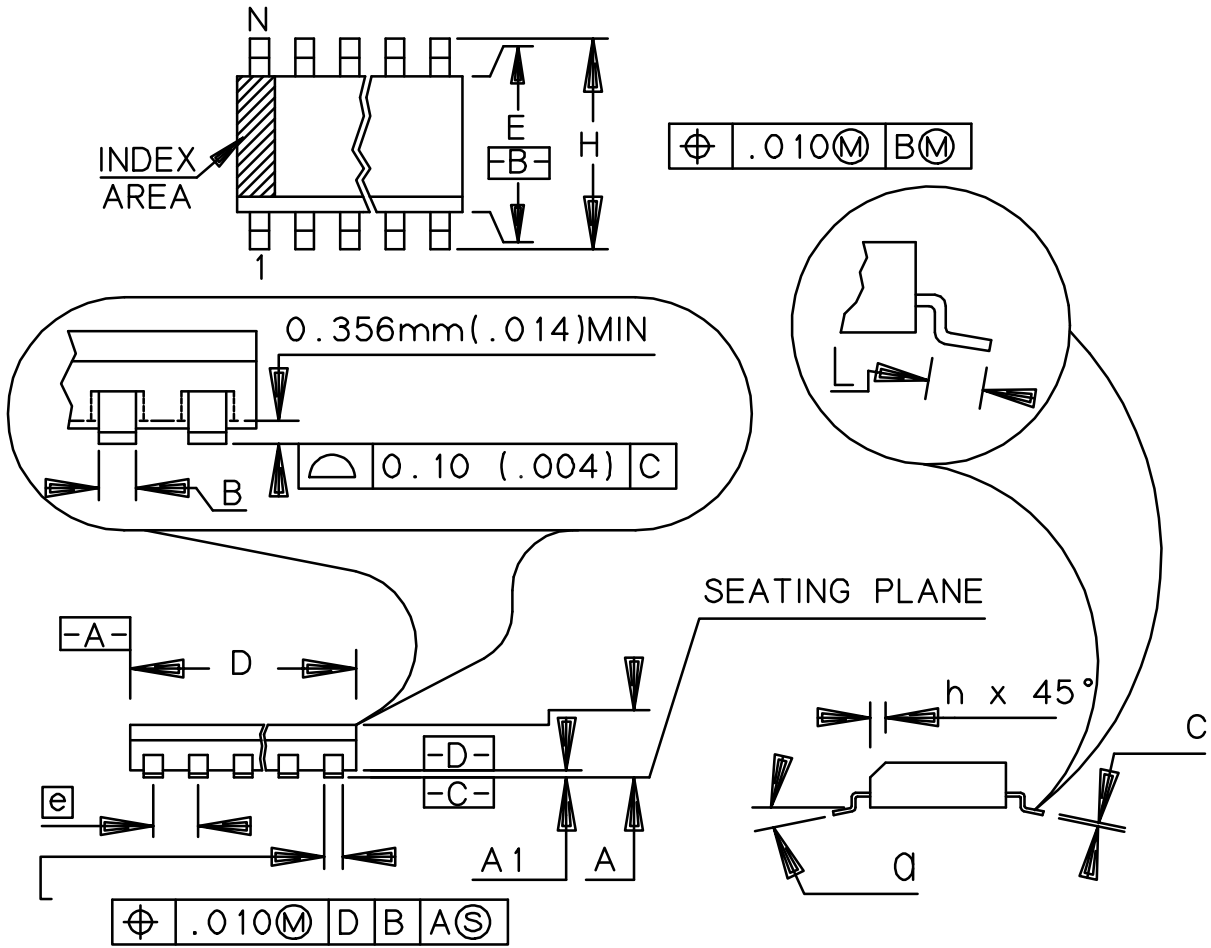
	MM		INCH	
	A	4.20	5.08	.165
A1	2.29	3.30	.090	.130
D	30.10	30.35	1.185	1.195
D1	29.21	29.41	1.150	1.158
D2	27.69	28.70	1.090	1.130
E	30.10	30.35	1.185	1.195
E1	29.21	29.41	1.150	1.158
E2	27.69	28.70	1.090	1.130
e	1.27	BSC	.050	BSC
G	1.07	1.22	.042	.048
H	1.07	1.42	.042	.056
J	0.51	-	.020	-
K	0.33	0.53	.013	.021
Nd	21		21	
Ne	21		21	
PKG STD		00		

08 PINS SO .150



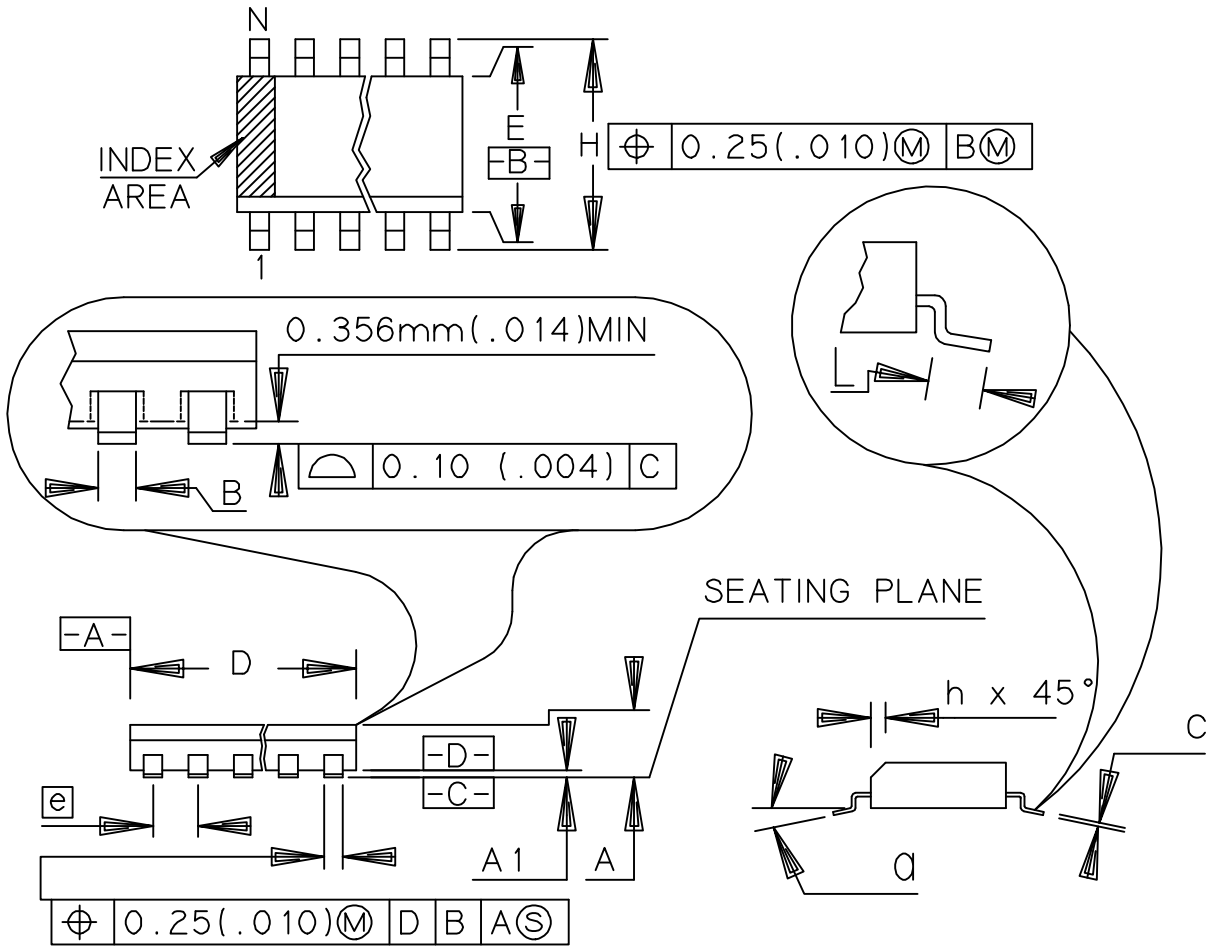
	MM		INCH	
A	1.55	1.73	.061	.068
A1	0.127	0.25	.004	.0098
B	0.35	0.49	.014	.019
C	0.19	0.25	.0075	.0098
D	4.80	4.98	.189	.196
E	3.81	3.99	.150	.157
e	1.27	BSC	.050	BSC
H	5.84	6.20	.230	.244
h	0.25	0.41	.010	.016
L	0.41	0.89	.016	.035
N	8		8	
a	0°	8°	0°	8°

16 PINS SO .150



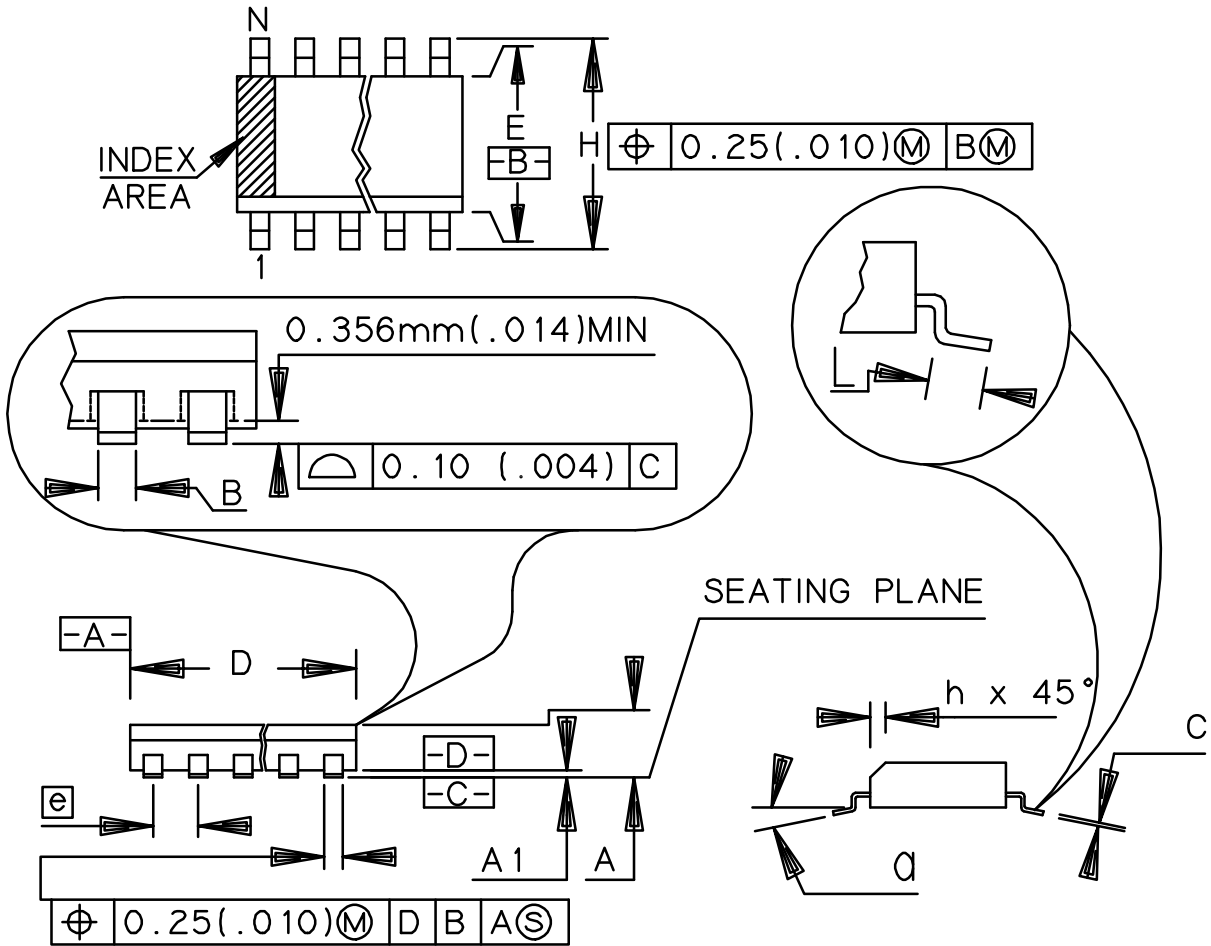
	MM		INCH	
A	1.55	1.73	.061	.068
A1	0.127	0.25	.004	.0098
B	0.35	0.49	.014	.019
C	0.19	0.25	.0075	.0098
D	9.80	9.98	.386	.393
E	3.81	3.99	.150	.157
e	1.27	BSC	.050	BSC
H	5.84	6.20	.230	.244
h	0.25	0.41	.010	.016
L	0.41	0.89	.016	.035
N	16		16	
a	0°		8°	

16 PINS SO .300



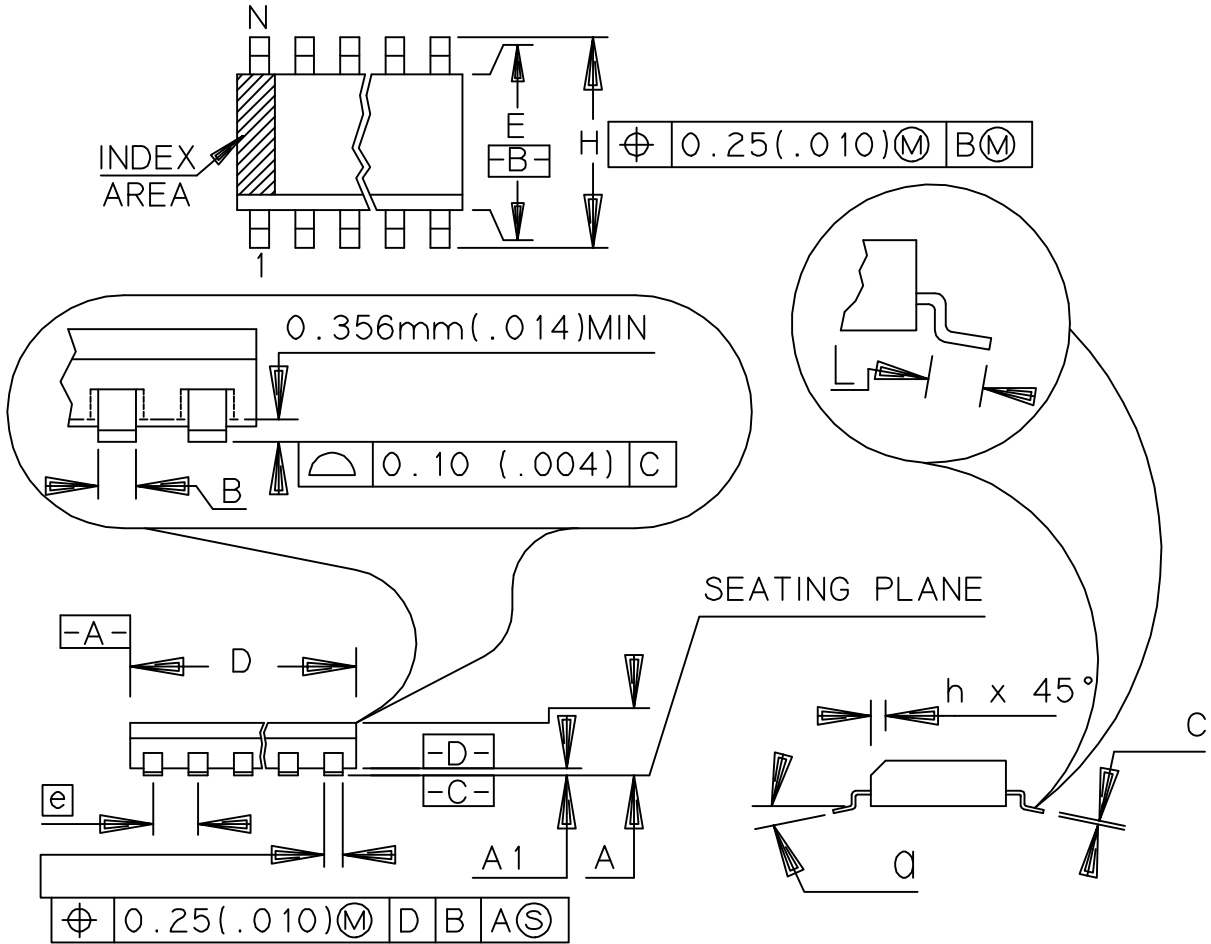
	MM		INCH	
A	2.35	2.65	.093	.104
A1	0.10	0.30	.004	.012
B	0.35	0.49	.014	.019
C	0.23	0.32	.009	.013
D	10.10	10.50	.398	.413
E	7.40	7.60	.291	.299
e	1.27	BSC	.050	BSC
H	10.00	10.65	.394	.419
h	0.25	0.75	.010	.029
L	0.40	1.27	.016	.050
N	16		16	
a	0°		8°	

18 PINS SO .300



	MM		INCH	
A	2.35	2.65	.093	.104
A1	0.10	0.30	.004	.012
B	0.35	0.49	.014	.019
C	0.23	0.32	.009	.013
D	11.35	11.75	.447	.463
E	7.40	7.60	.291	.299
e	1.27	BSC	.050	BSC
H	10.00	10.65	.394	.419
h	0.25	0.75	.010	.029
L	0.40	1.27	.016	.050
N	18		18	
a	0° - 8°		0° - 8°	

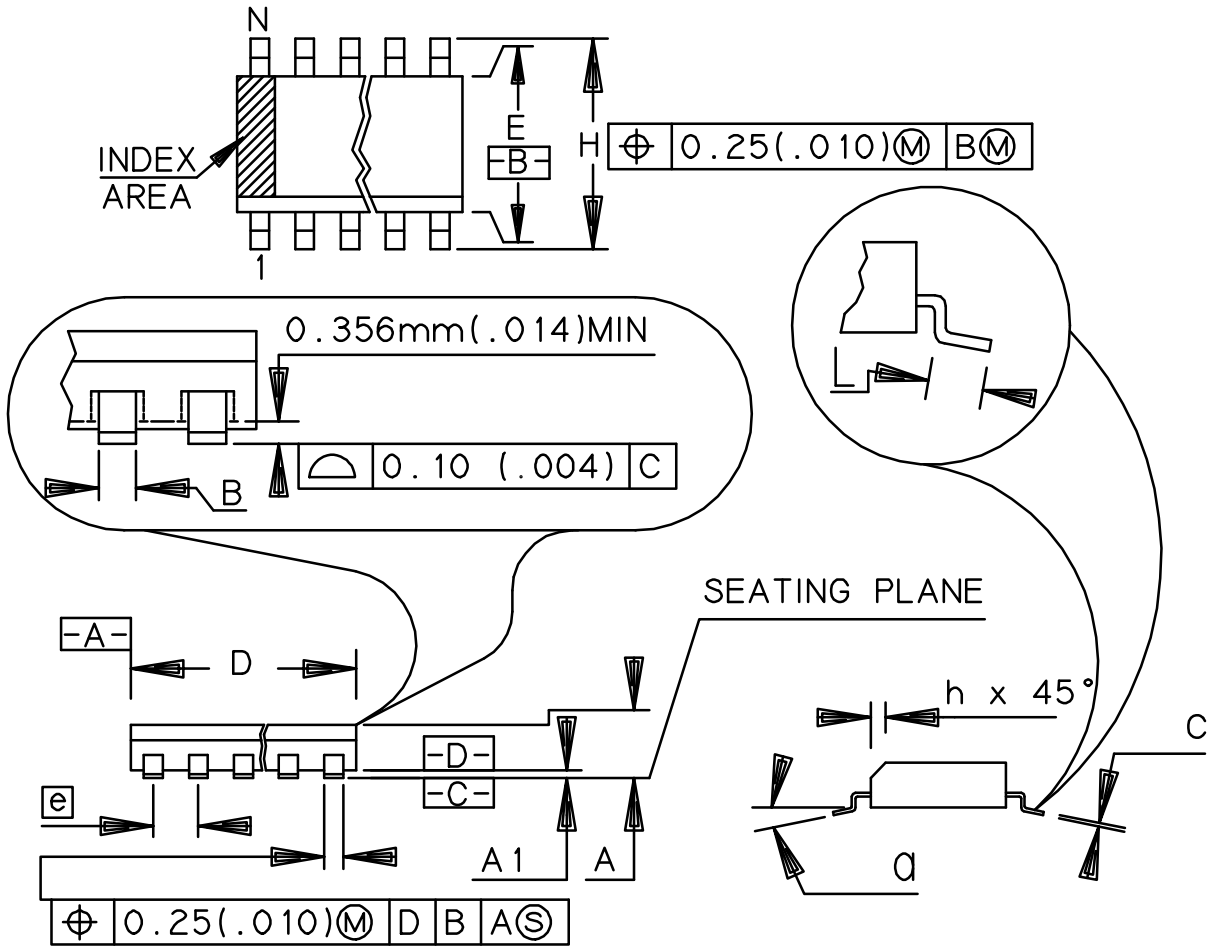
20 PINS SO .300



⊕ 0.25 (.010) (M) D B A (S)

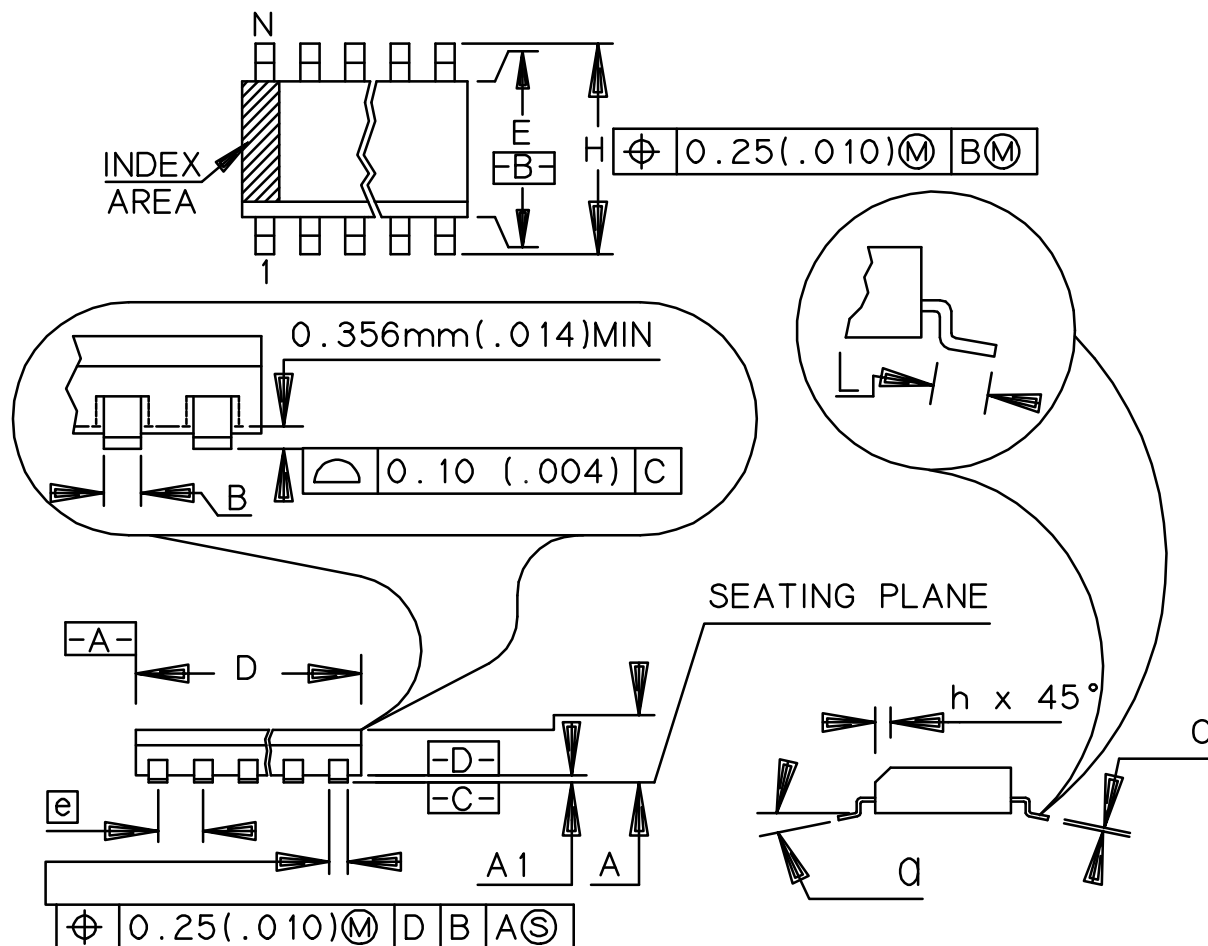
	MM		INCH	
A	2.35	2.65	.093	.104
A1	0.10	0.30	.004	.012
B	0.35	0.49	.014	.019
C	0.23	0.32	.009	.013
D	12.60	13.00	.496	.512
E	7.40	7.60	.291	.299
e	1.27	BSC	.050	BSC
H	10.00	10.65	.394	.419
h	0.25	0.75	.010	.029
L	0.40	1.27	.016	.050
N	20		20	
a	0°		8°	

24 PINS SO .300



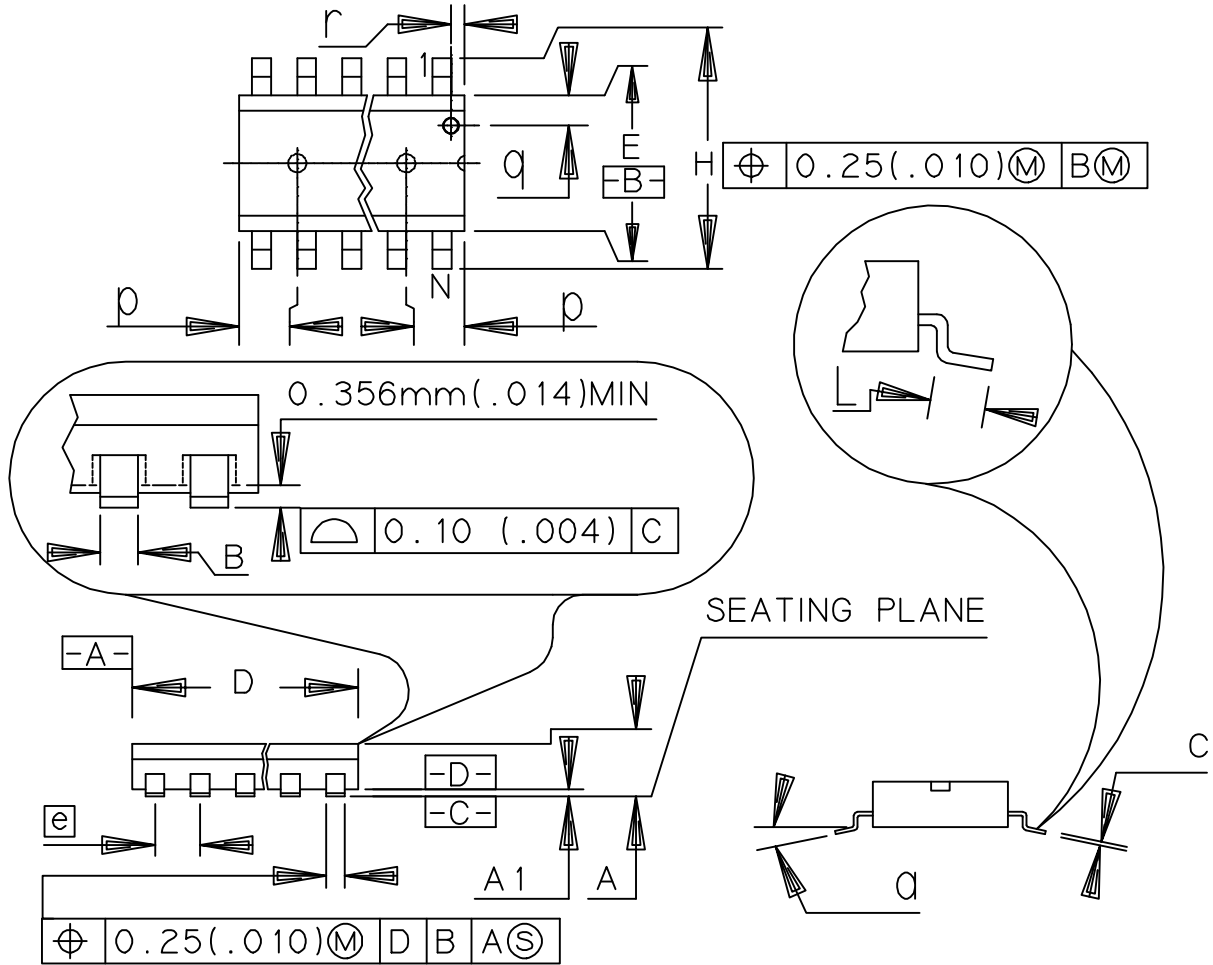
	MM		INCH	
A	2.35	2.65	.093	.104
A1	0.10	0.30	.004	.012
B	0.35	0.49	.014	.019
C	0.23	0.32	.009	.013
D	15.20	15.60	.599	.614
E	7.40	7.60	.291	.299
e	1.27	BSC	.050	BSC
H	10.00	10.65	.394	.419
h	0.25	0.75	.010	.029
L	0.40	1.27	.016	.050
N	24		24	
a	0°		8°	

28 PINS SO .300

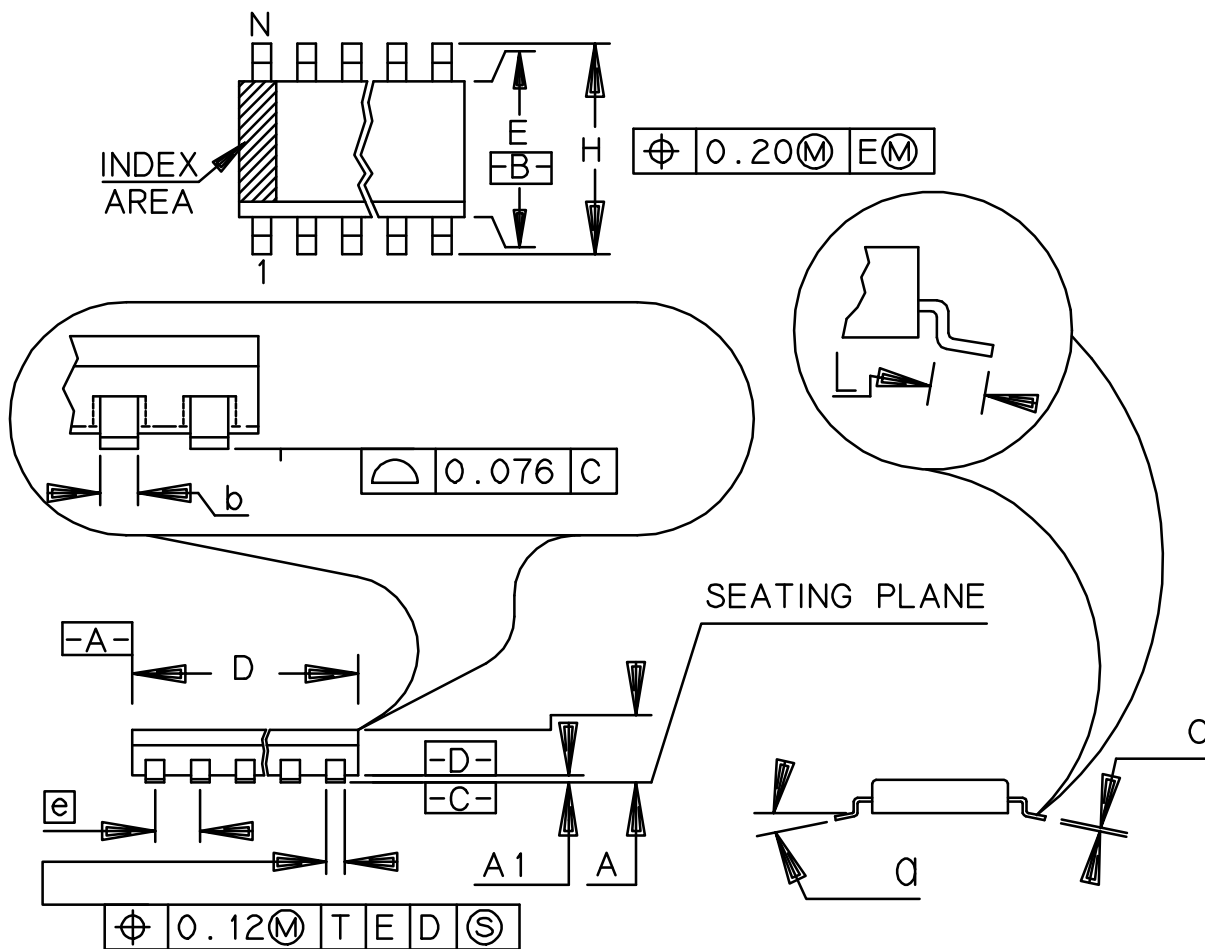


	MM		INCH	
A	2.35	2.65	.093	.104
A1	0.10	0.30	.004	.012
B	0.35	0.49	.014	.019
C	0.23	0.32	.009	.013
D	17.70	18.10	.697	.713
E	7.40	7.60	.291	.299
e	1.27	BSC	.050	BSC
H	10.00	10.65	.394	.419
h	0.25	0.75	.010	.029
L	0.40	1.27	.016	.050
N	28		28	
a	0°		8°	

28 PINS SO .330 MIL BODY

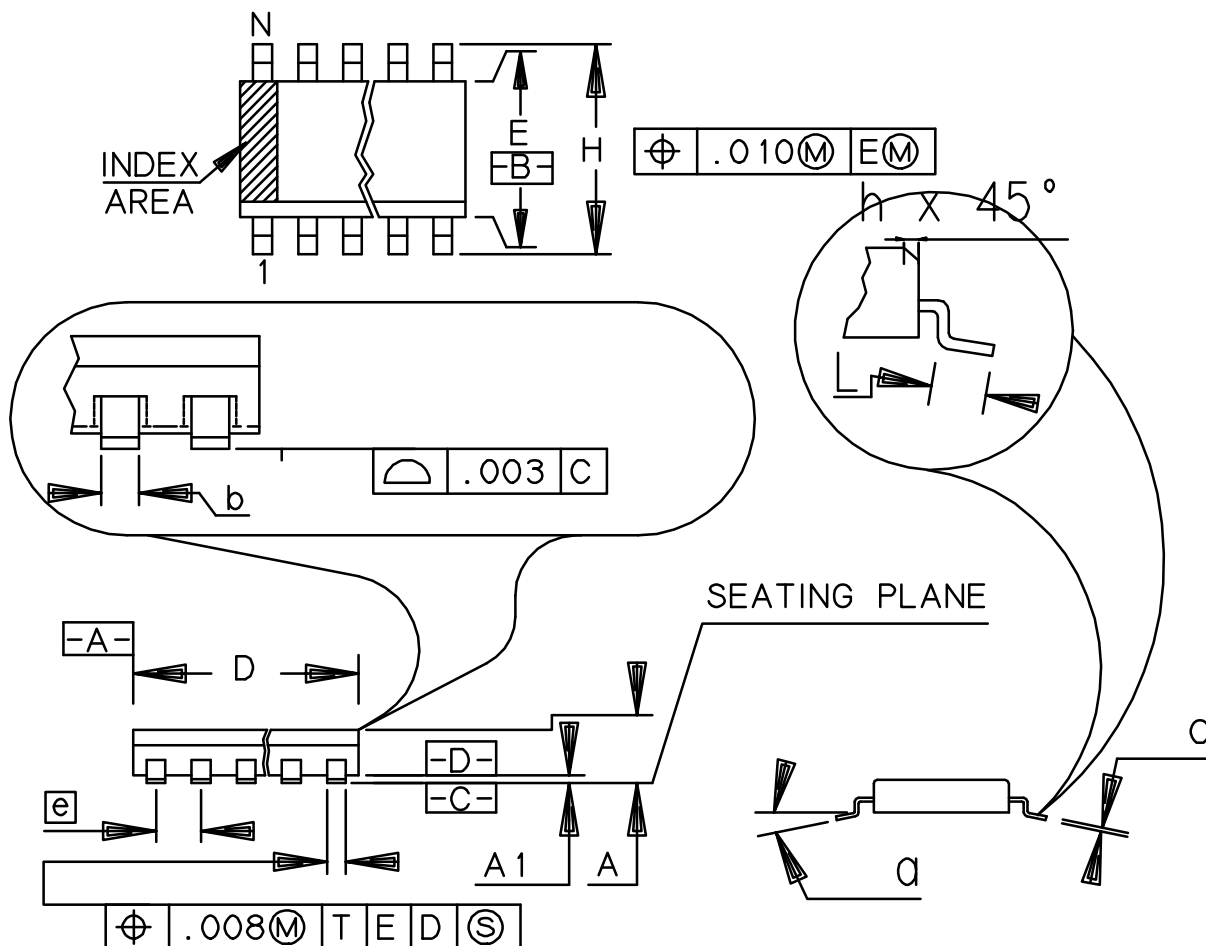


16 PINS SSOP .209



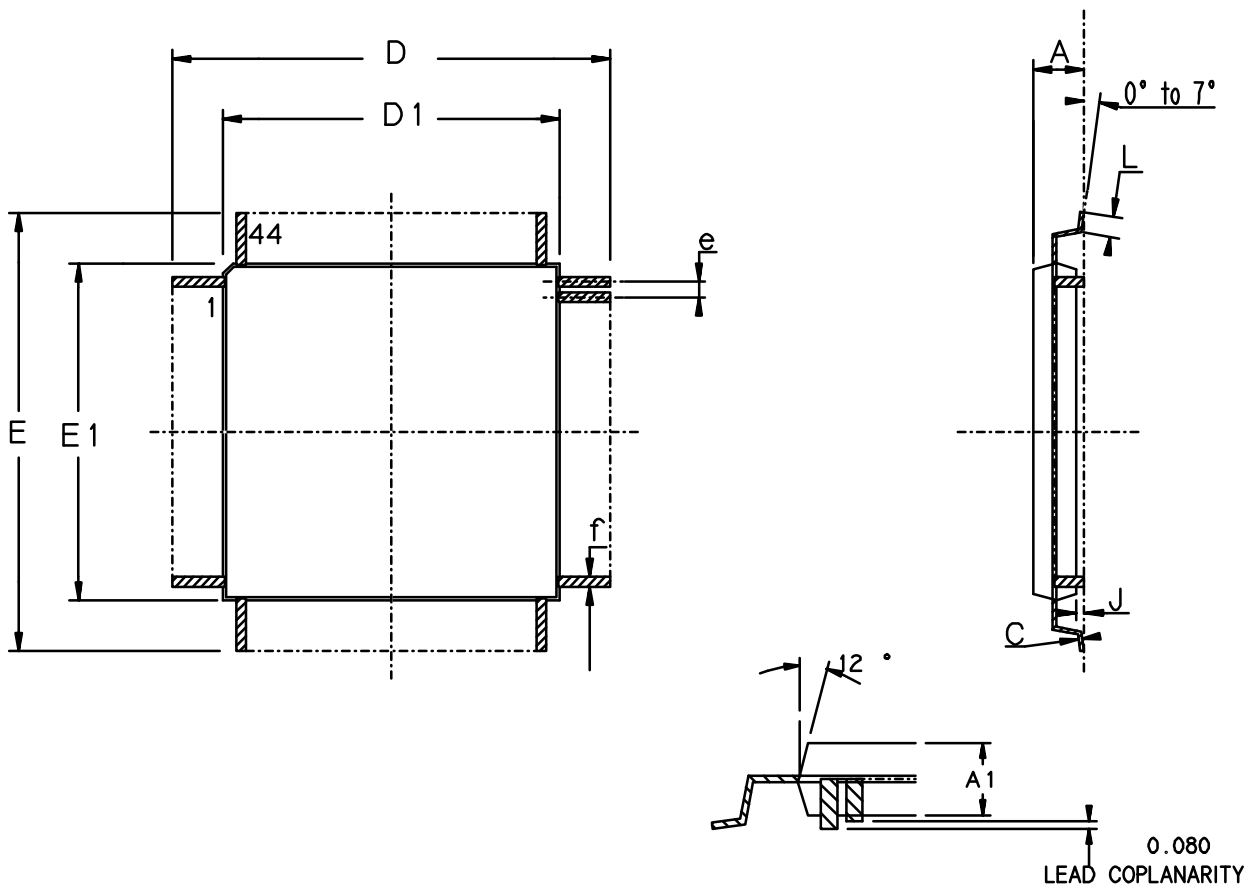
	MM		INCH	
A	1.73	1.95	.068	.078
A1	0.05	0.21	.002	.008
b	0.25	0.38	.010	.015
C	0.09	0.20	.004	.008
D	6.07	6.33	.239	.249
E	5.20	5.38	.205	.212
e	0.65	BSC	.0256	BSC
H	7.65	7.90	.301	.311
L	0.63	0.95	.025	.037
N	16		16	
a	0°		8°	

44 PINS SSOP .293



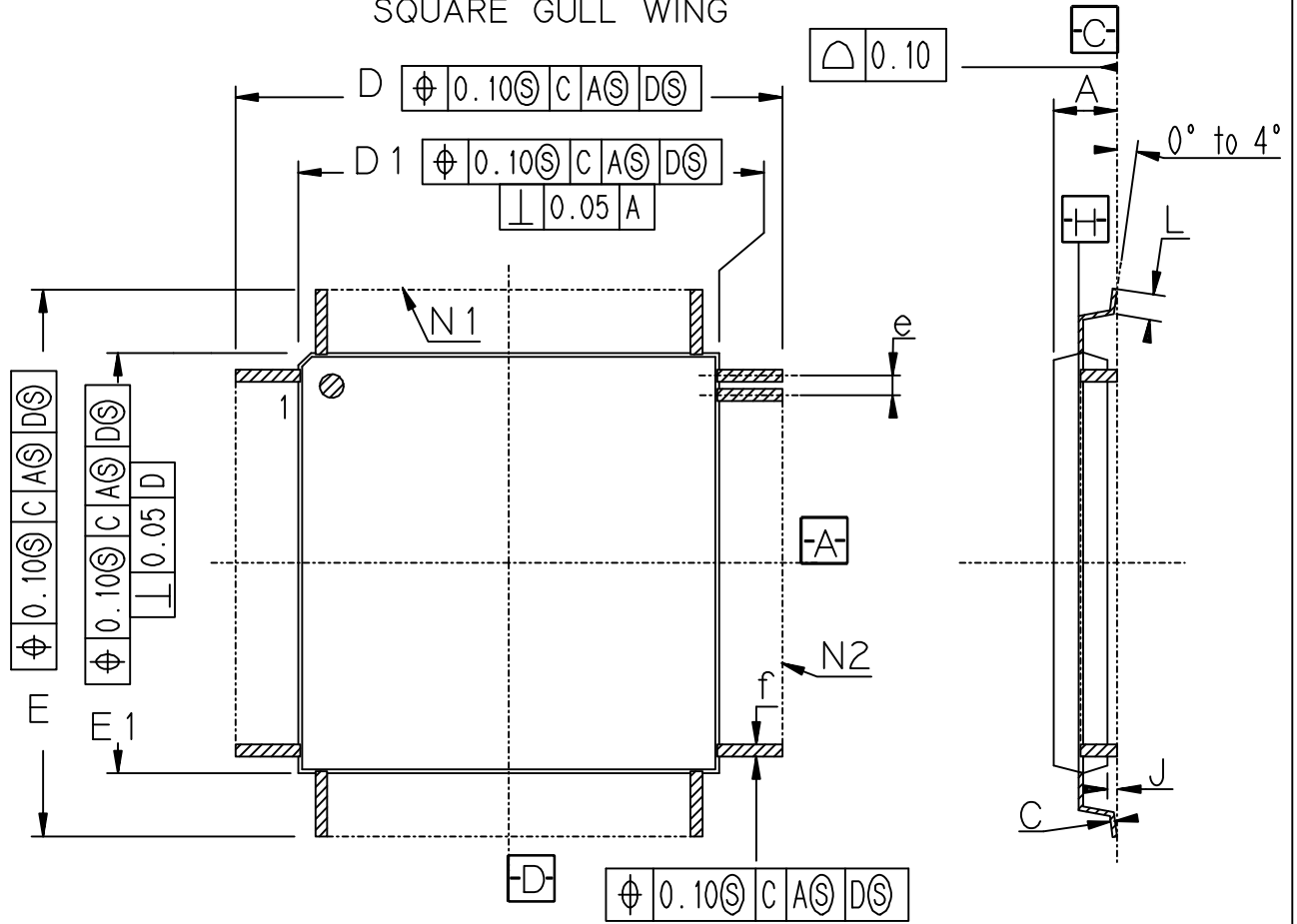
	MM		INCH	
A	2.40	2.64	.094	.104
A1	0.10	0.29	.0039	.0115
b	0.25	0.43	.010	.017
C	0.230	0.32	.0091	.0125
D	17.80	18.06	.700	.711
E	7.30	7.59	.287	.299
e	0.80	BSC	.0315	BSC
H	10.16	10.50	.400	.414
L	0.55	1.02	.021	.040
N	44		44	
a	0°		8°	
h	0.25	0.50	.010	.020

44 PINS THIN QUAD FLAT PACK



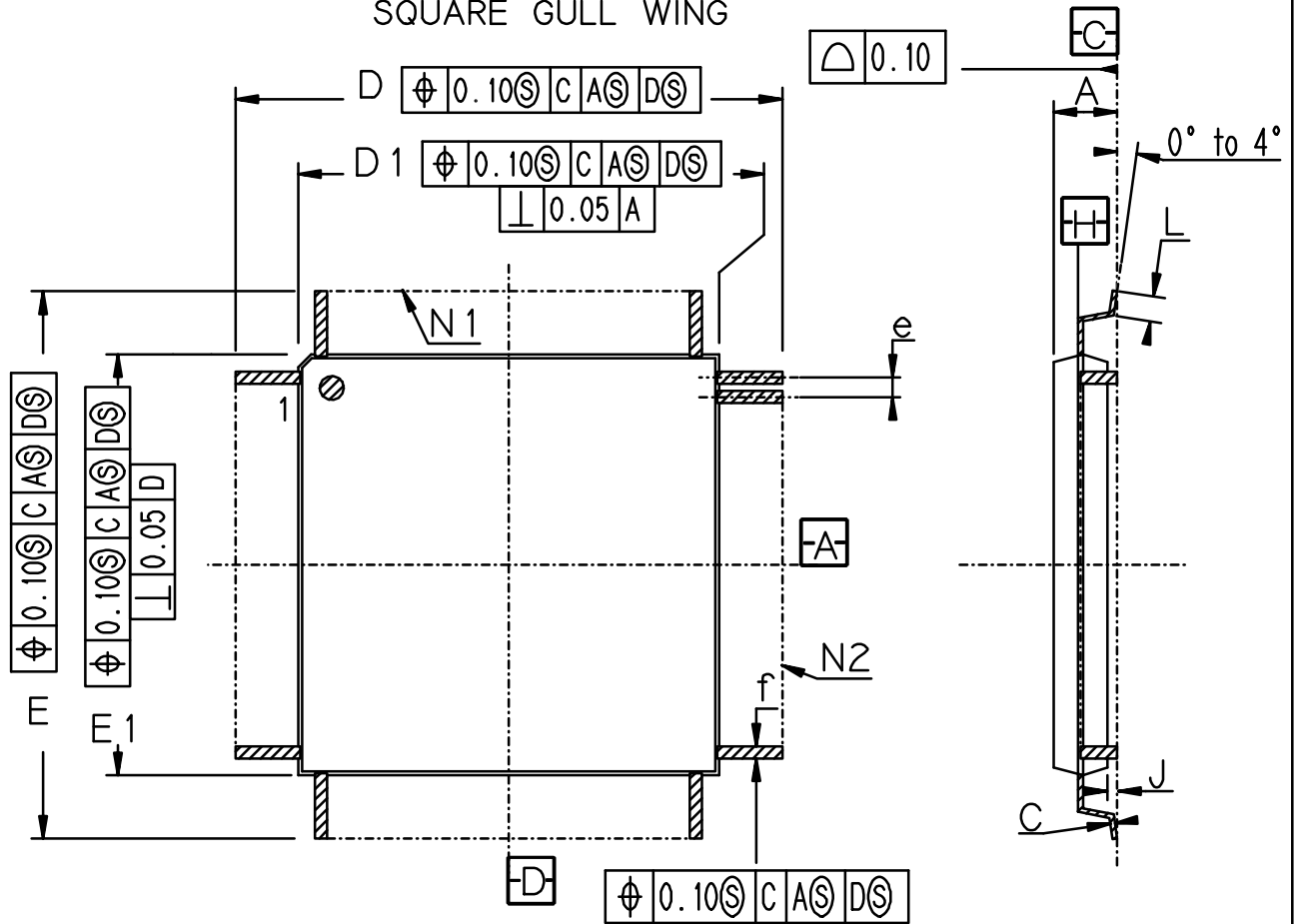
	MM		INCH	
	Min	Max	Min	Max
A	----	1.20	----	.047
A1	0.95	1.05	.037	.041
C	0.09	0.20	.004	.008
D	12.00 BSC		.472 BSC	
D1	10.00 BSC		.394 BSC	
E	12.00 BSC		.472 BSC	
E1	10.00 BSC		.394 BSC	
J	0.05	0.15	.002	.006
L	0.45	0.75	.018	.030
e	0.80 BSC		.0315 BSC	
f	0.30	0.45	.012	.018

44 PINS PLASTIC QUAD FLAT PKG
SQUARE GULL WING



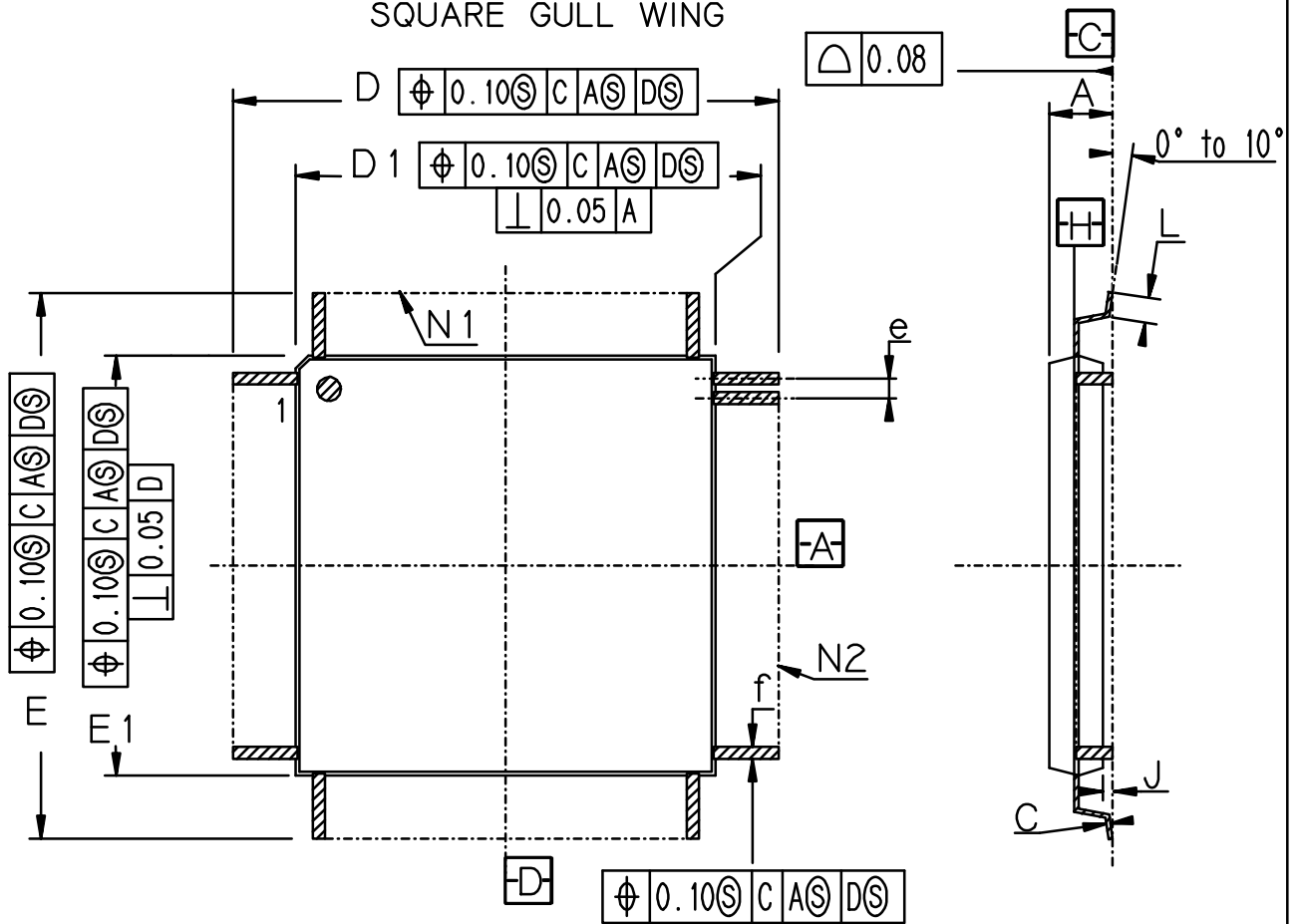
	MM		INCH	
	Min	Max	Min	Max
A	2.08	2.43	.081	.095
C	0.13	0.20	.005	.008
D	13.90	14.30	.547	.563
D1	9.90	10.10	.390	.398
E	13.90	14.30	.547	.563
E1	9.90	10.10	.390	.398
e	0.80 BSC		.0315 BSC	
f	0.30	0.45	.012	.018
J	0.15	0.30	.006	.012
L	0.65	0.95	.026	.037
N1	11		11	
N2	11		11	

44 PINS PLASTIC QUAD FLAT PKG
SQUARE GULL WING



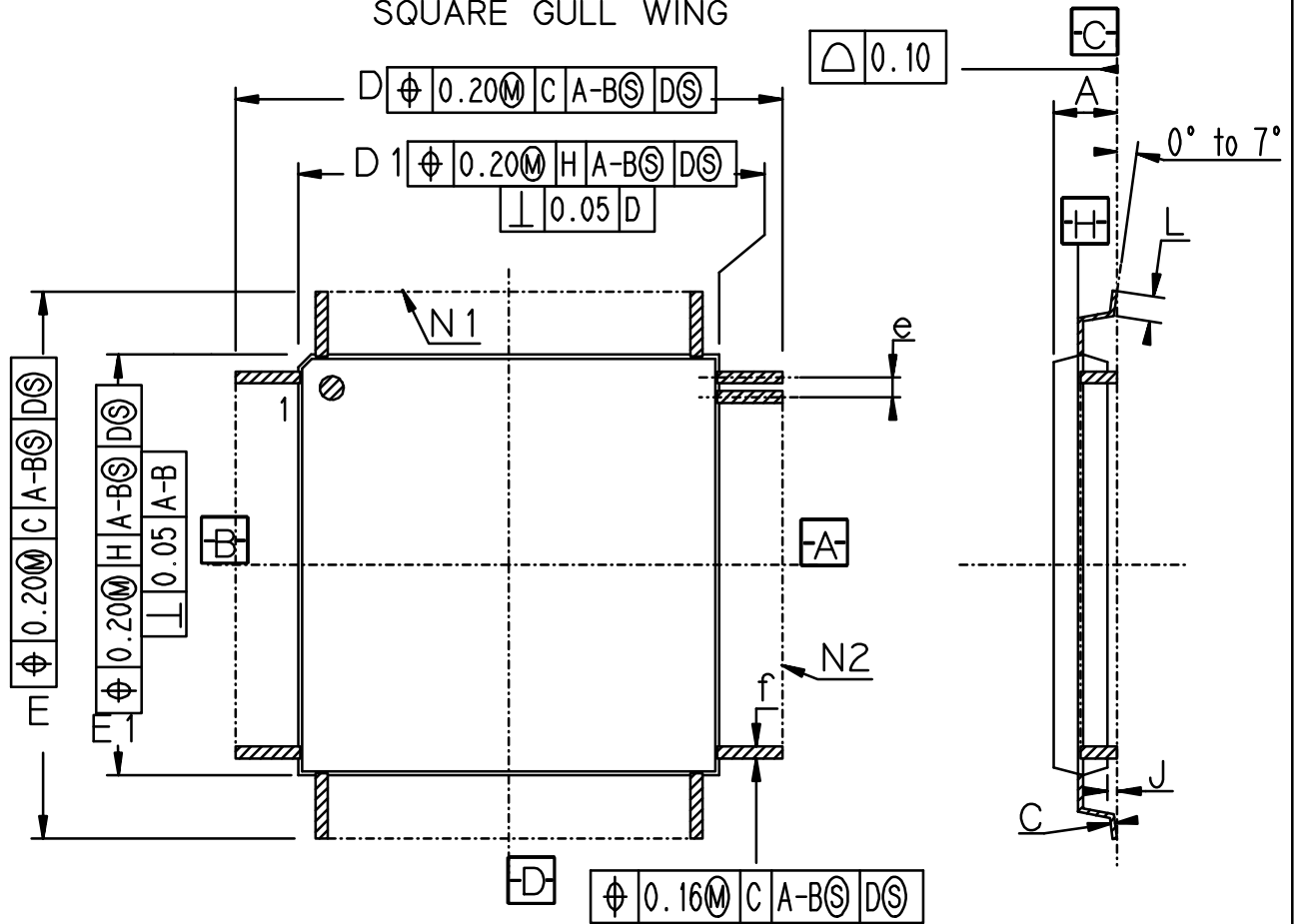
	MM		INCH	
	Min	Max	Min	Max
A	2.00	2.40	.079	.094
C	0.10	0.20	.004	.008
D	13.65	14.15	.537	.557
D1	9.90	10.10	.390	.398
E	13.65	14.15	.537	.557
E1	9.90	10.10	.390	.398
e	0.80 BSC		.0315 BSC	
f	0.20	0.40	.008	.016
J	0.00	0.30	.000	.012
L	0.65	0.95	.025	.037
N1	11		11	
N2	11		11	

44 PINS PLASTIC QUAD FLAT PKG
SQUARE GULL WING



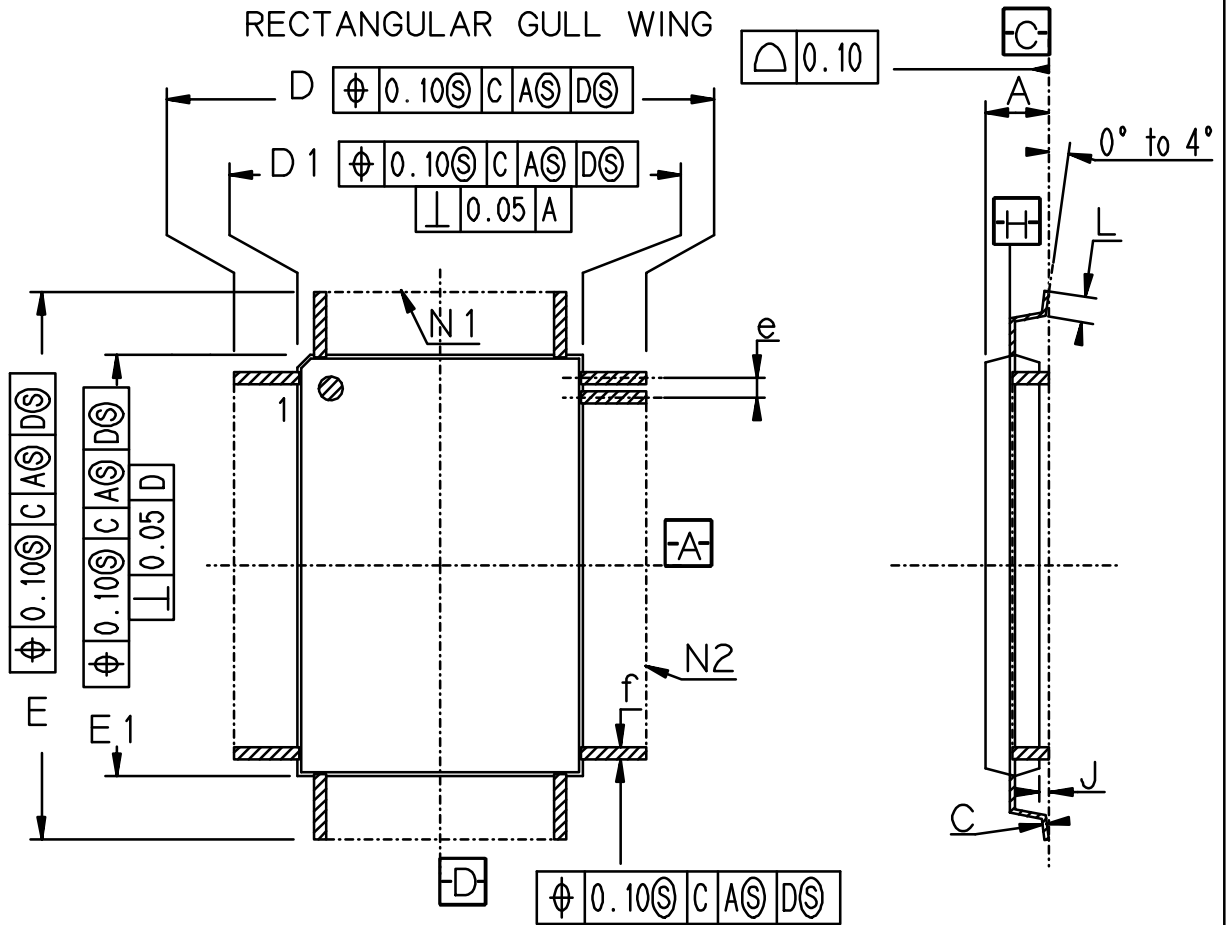
	MM		INCH	
	Min	Max	Min	Max
A	1.90	2.40	.075	.095
C	0.10	0.20	.004	.008
D	12.10	12.50	.476	.492
D1	9.90	10.10	.390	.398
E	12.10	12.50	.476	.492
E1	9.90	10.10	.390	.398
e	0.80 BSC		.0315 BSC	
f	0.25	0.45	.010	.018
J	0.00	0.20	.000	.008
L	0.35	0.65	.014	.026
N1	11		11	
N2	11		11	

64 PINS PLASTIC QUAD FLAT PKG
SQUARE GULL WING



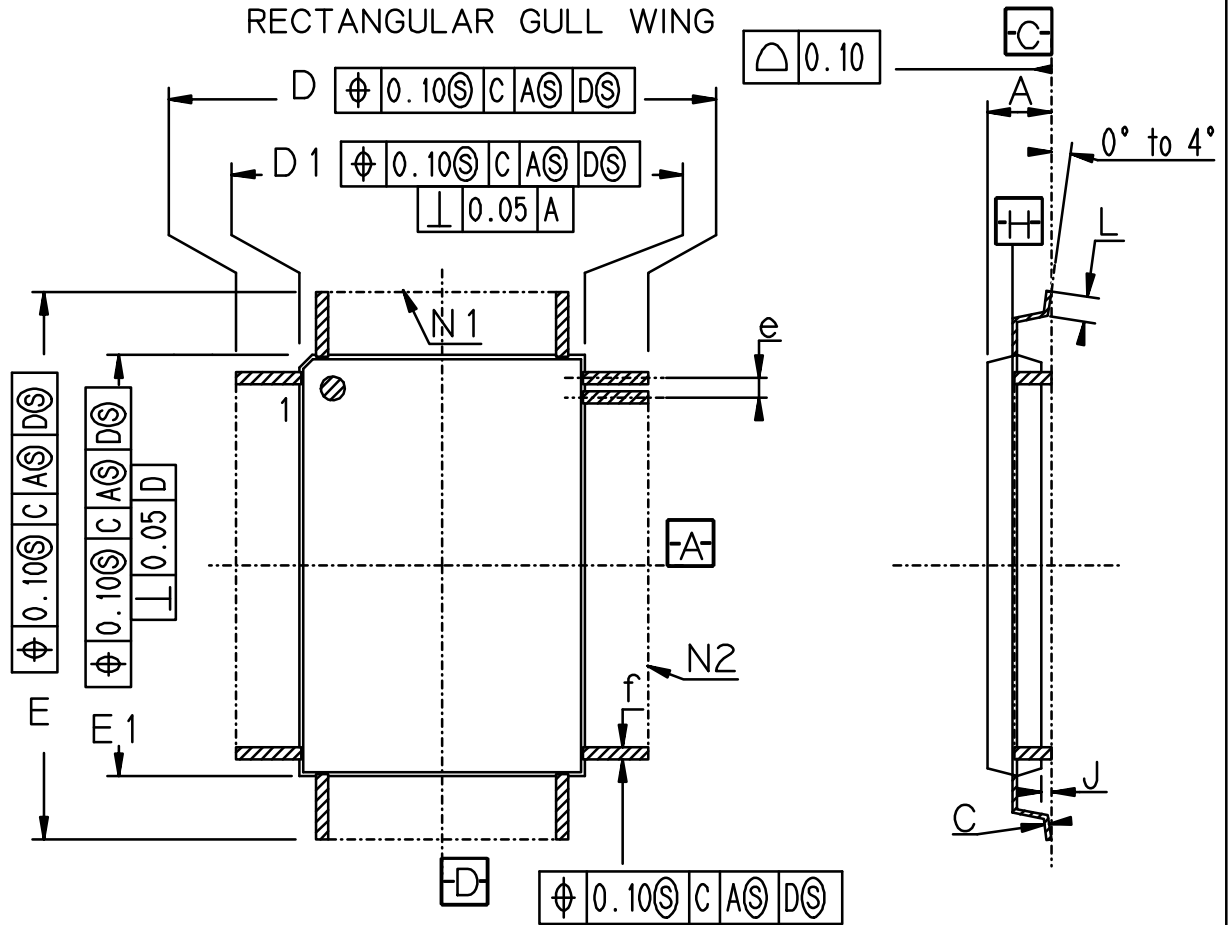
	MM		INCH	
	Min	Max	Min	Max
A	2.65	3.00	.104	.118
C	0.13	0.23	.005	.009
D	16.95	17.45	.667	.687
D1	13.95	14.05	.549	.553
E	16.95	17.45	.667	.687
E1	13.95	14.05	.549	.553
e	0.80 BSC		.0315 BSC	
f	0.30	0.45	.012	.018
J	0.10	0.25	.004	.010
L	0.65	0.95	.026	.037
N1	16		16	
N2	16		16	

80 PINS PLASTIC QUAD FLAT PKG
RECTANGULAR GULL WING



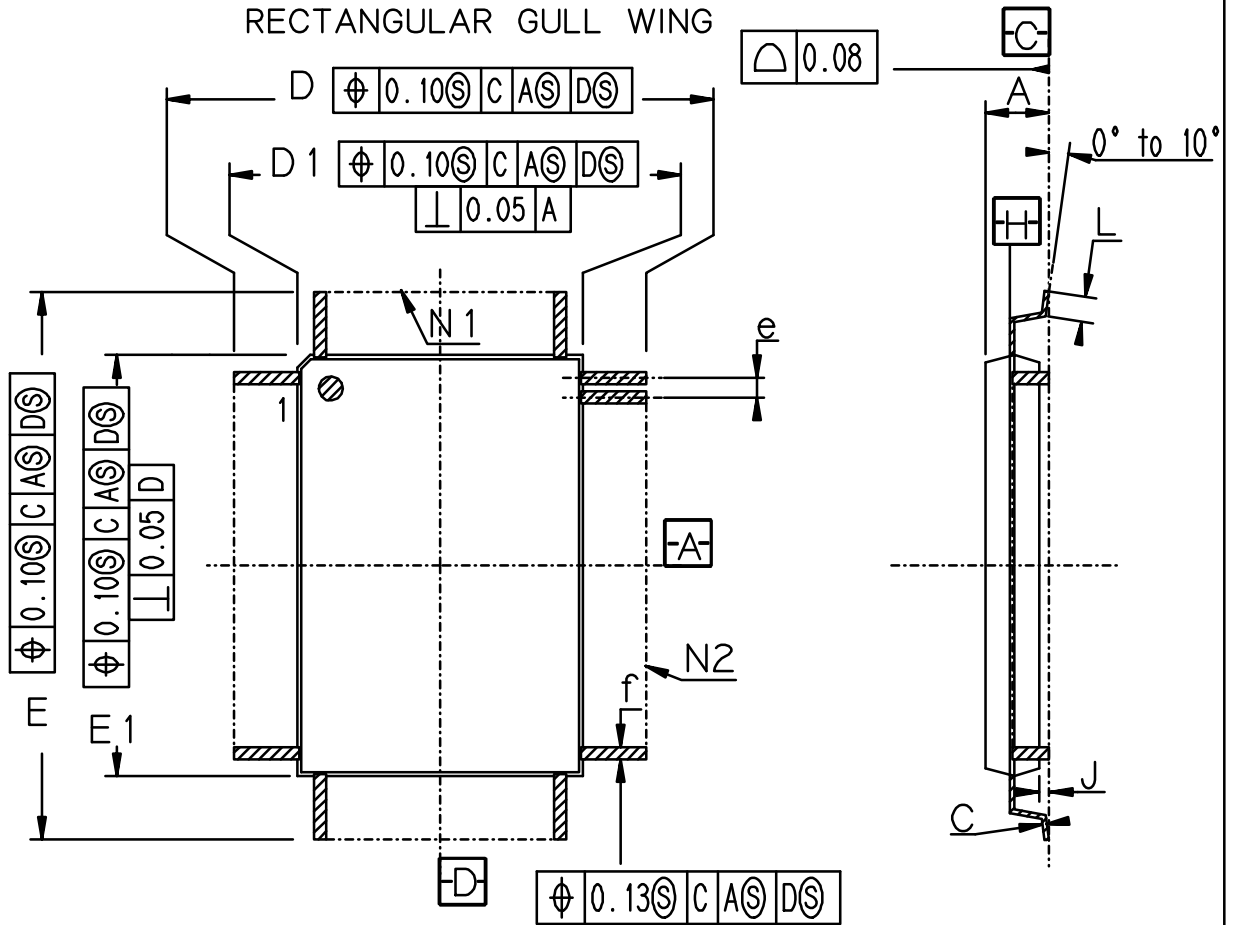
	MM		INCH	
	Min	Max	Min	Max
A	2.75	3.18	.108	.125
C	0.15	0.20	.006	.008
D	17.65	18.15	.695	.714
D1	13.90	14.10	.547	.555
E	23.65	24.15	.931	.951
E1	19.90	20.10	.783	.791
e	0.80 BSC		.0315 BSC	
f	0.30	0.45	.012	.018
J	0.15	0.38	.006	.015
L	0.73	1.03	.029	.041
N1	16		16	
N2	24		24	

100 PINS PLASTIC QUAD FLAT PKG
RECTANGULAR GULL WING



	Min	MM	Max	Min	INCH	Max
A	2.75		3.40	.108		.134
C	0.15		0.20	.006		.008
D	17.65		18.15	.695		.715
D1	13.90		14.10	.547		.555
E	23.65		24.15	.931		.951
E1	19.90		20.10	.783		.791
e	0.65 BSC			.0256 BSC		
f	0.22		0.35	.009		.014
J	0.15		----	.006		----
L	0.65		0.95	.025		.038
N1	20			20		
N2	30			30		

100 PINS PLASTIC QUAD FLAT PKG
RECTANGULAR GULL WING

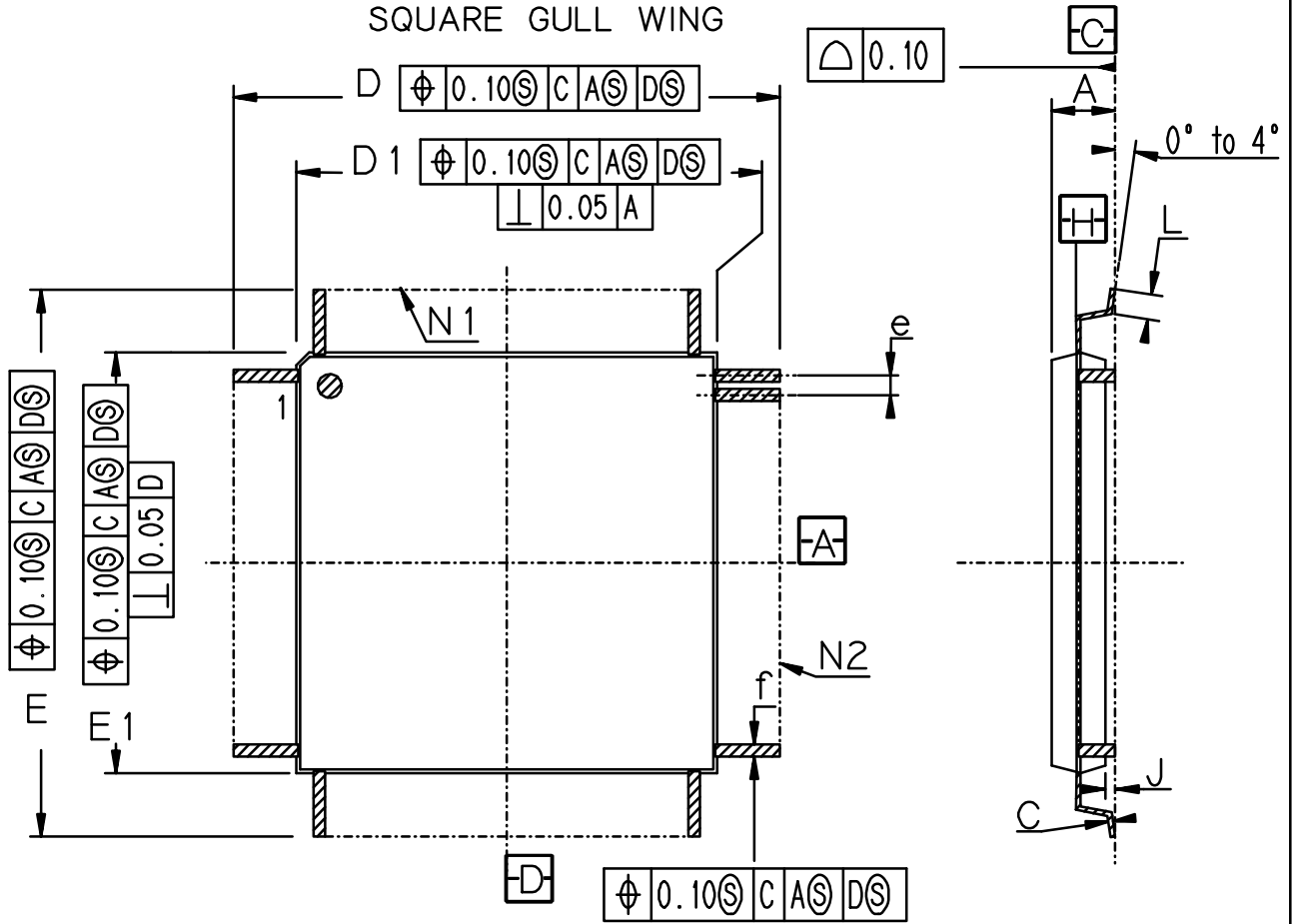


	Min	MM	Max	Min	INCH	Max
A	2.82		3.32	.111		.131
C	0.10		0.20	.004		.008
D	17.00		17.40	.669		.685
D1	13.90		14.10	.547		.555
E	23.00		23.40	.905		.921
E1	19.90		20.10	.783		.791
e	0.65 BSC				.0256 BSC	
f	0.20		0.40	.008		.016
J	0.25		0.45	.010		.018
L	0.65		0.95	.025		.037
N1	20				20	
N2	30				30	

CODE : NT

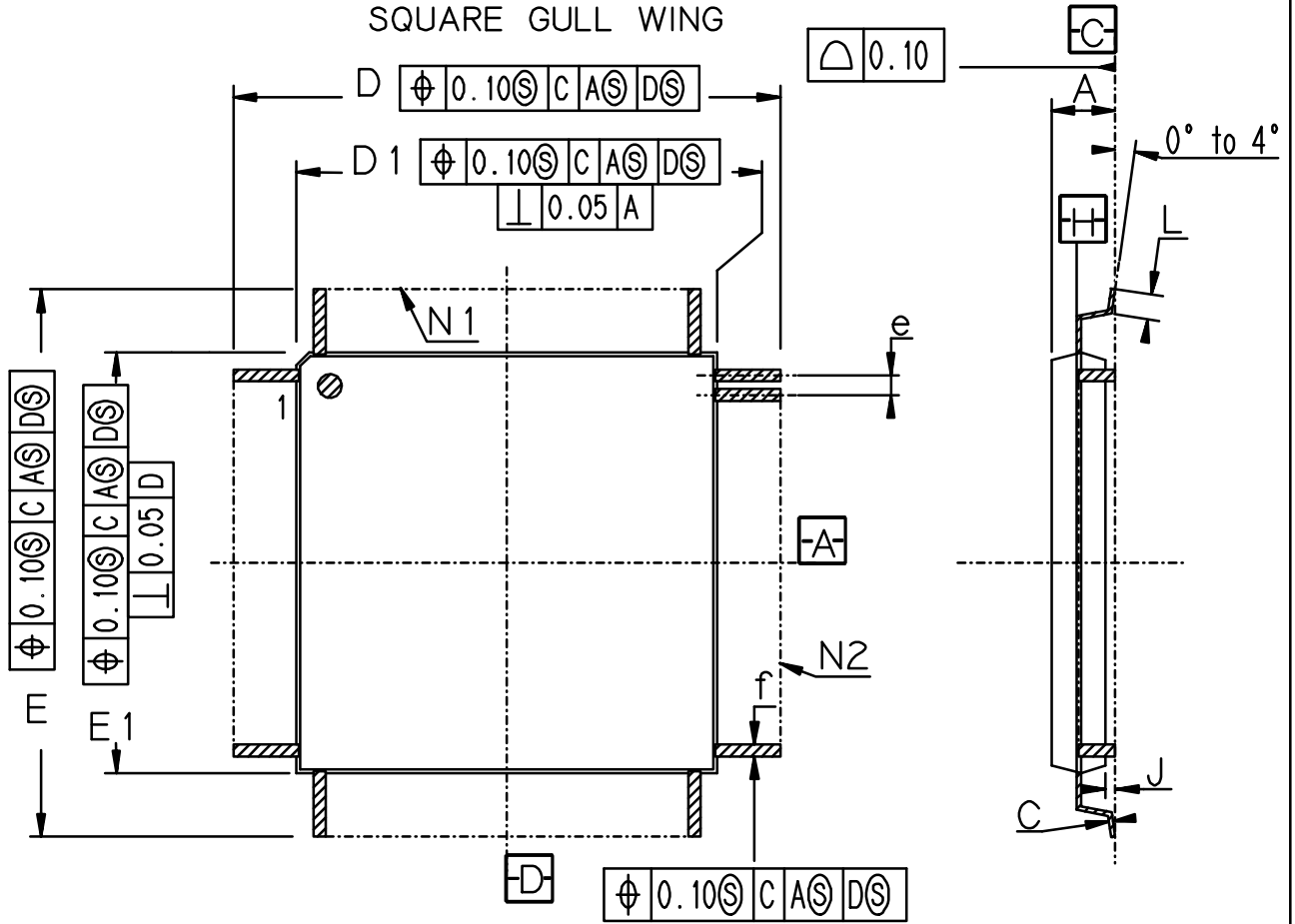
REV : 0 DATE : 28-03-94

128 PINS PLASTIC QUAD FLAT PKG
SQUARE GULL WING



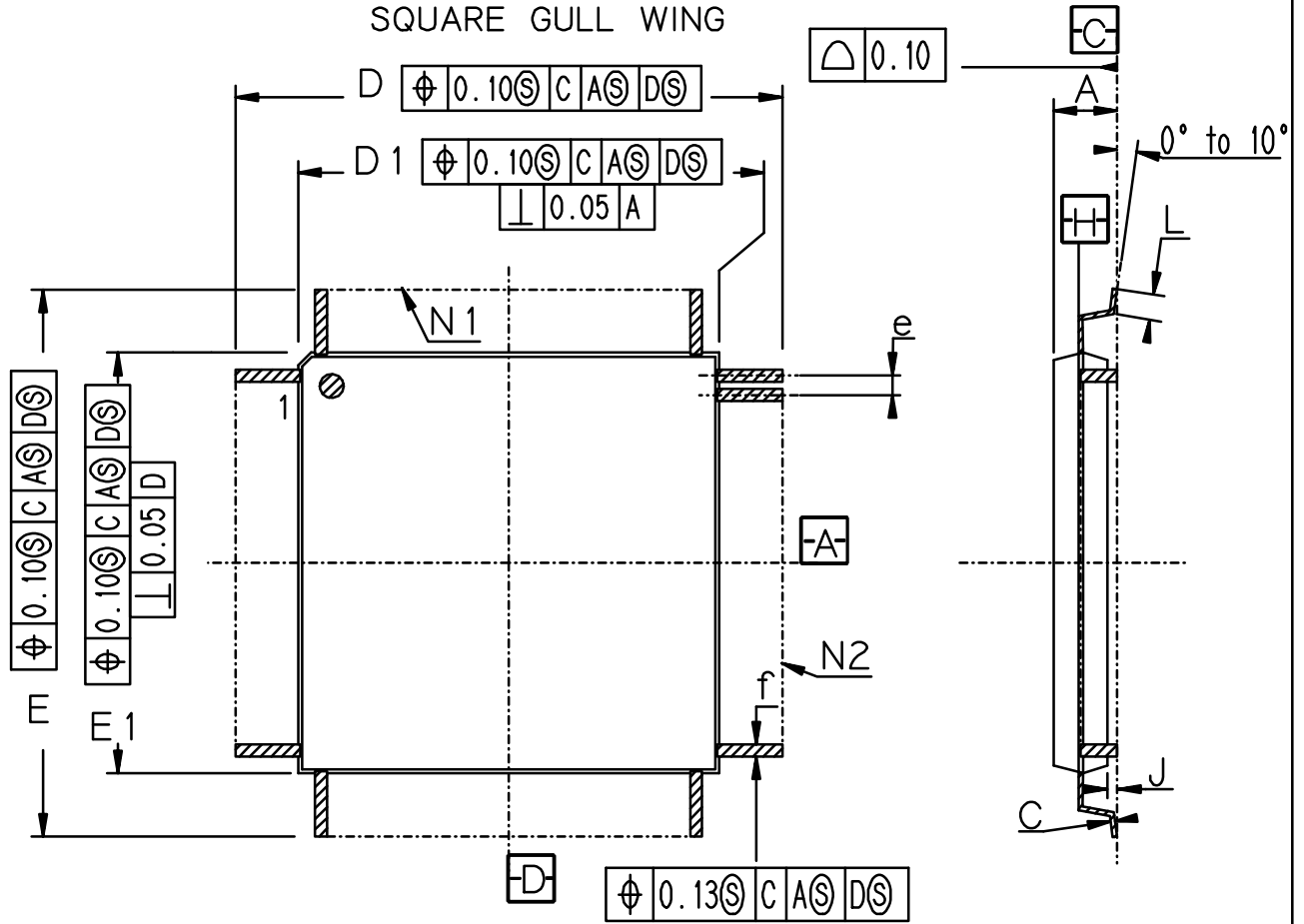
	MM		INCH	
	Min	Max	Min	Max
A	3.68	4.00	.145	.157
C	0.15	0.20	.006	.008
D	31.65	32.15	1.246	1.266
D1	27.90	28.10	1.098	1.106
E	31.65	32.15	1.246	1.266
E1	27.90	28.10	1.098	1.106
e	0.80 BSC		.0315 BSC	
f	0.30	0.45	.012	.018
J	0.25	0.45	.010	.018
L	0.65	0.95	.026	.037
N1	32		32	
N2	32		32	

160 PINS PLASTIC QUAD FLAT PKG
SQUARE GULL WING



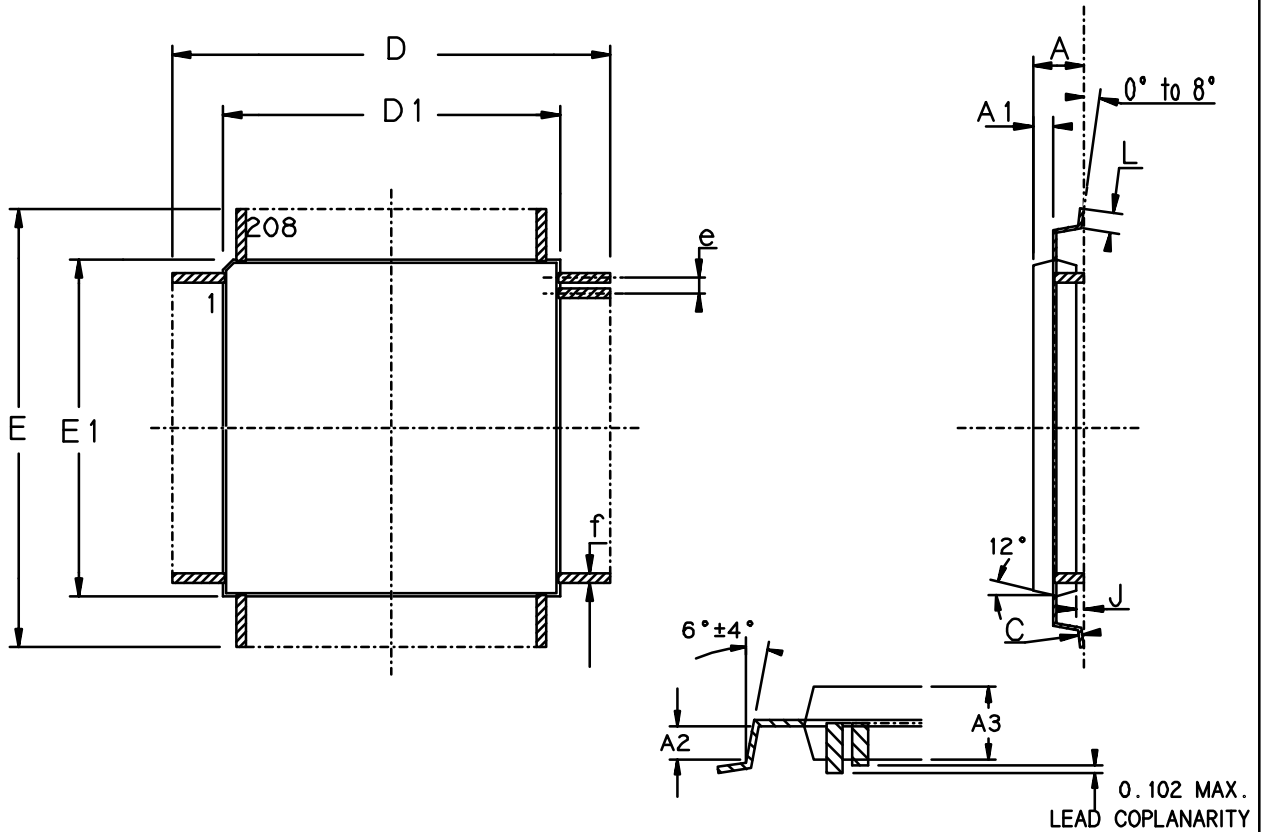
	MM		INCH	
	Min	Max	Min	Max
A	3.68	4.00	.145	.157
C	0.15	0.20	.006	.008
D	31.65	32.15	1.246	1.266
D1	27.90	28.10	1.098	1.106
E	31.65	32.15	1.246	1.266
E1	27.90	28.10	1.098	1.106
e	0.65 BSC		.0256 BSC	
f	0.22	0.35	.009	.014
J	0.25	0.45	.010	.018
L	0.65	0.95	.026	.037
N1	40		40	
N2	40		40	

160 PINS PLASTIC QUAD FLAT PKG
SQUARE GULL WING



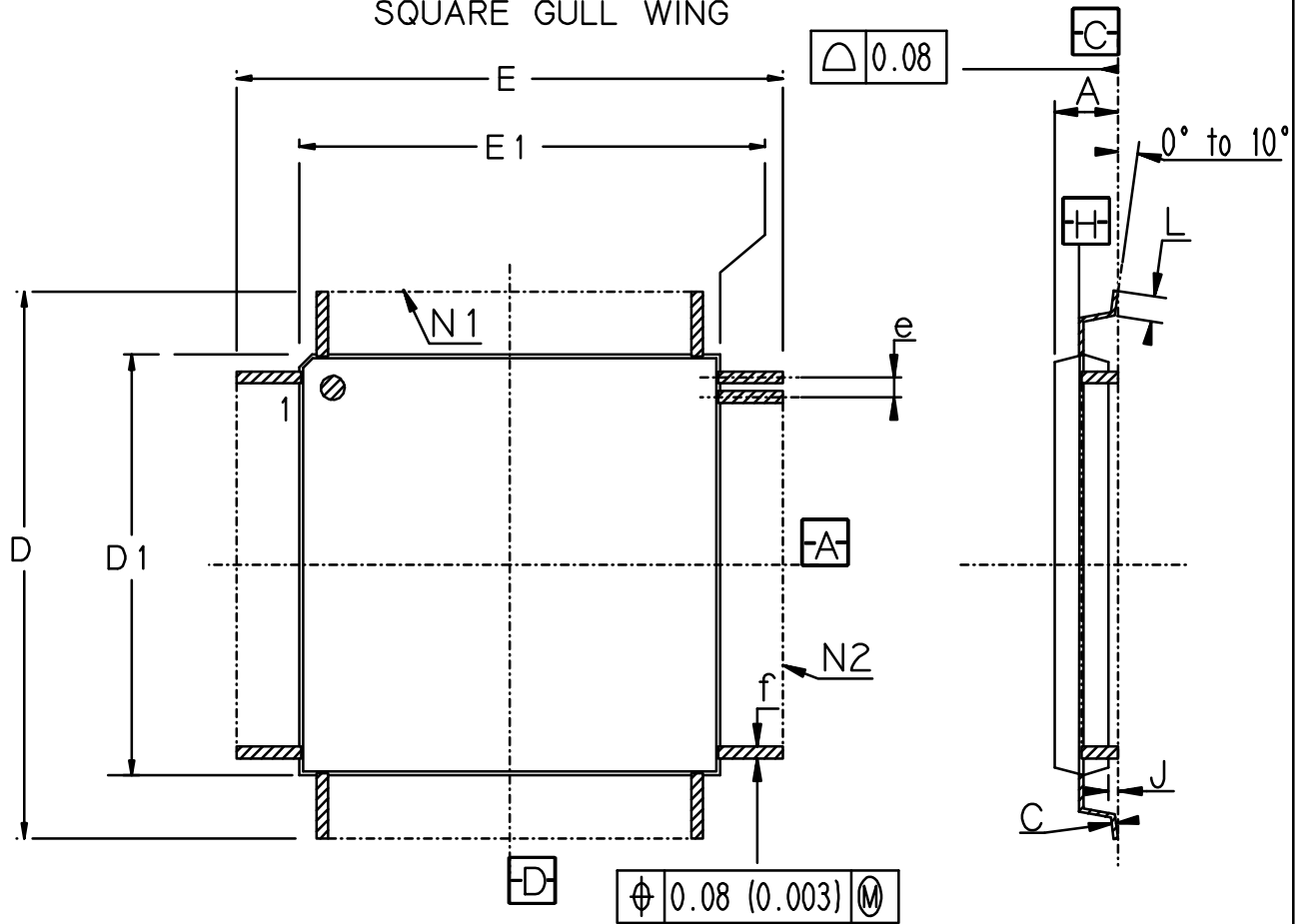
	MM		INCH	
	Min	Max	Min	Max
A	3.22	3.97	.127	.157
C	0.10	0.20	.004	.008
D	30.95	31.45	1.218	1.238
D1	27.90	28.10	1.098	1.106
E	30.95	31.45	1.218	1.238
E1	27.90	28.10	1.098	1.106
e	0.65 BSC		.0256 BSC	
f	0.20	0.40	.008	.016
J	0.04	0.50	.002	.020
L	0.65	0.95	.026	.037
N1	40		40	
N2	40		40	

208 PINS PLASTIC QUAD FLAT PACK
SQUARE GULL WING



	MM		INCH	
	Min	Max	Min	Max
A	3.52	4.07	.139	.160
A1	1.57	1.77	.062	.070
A2	1.57	1.77	.062	.070
A3	3.24	3.74	.127	.147
D	30.95	31.45	1.218	1.238
D1	27.90	28.10	1.098	1.106
E	30.95	31.45	1.218	1.238
E1	27.90	28.10	1.098	1.106
J	0.05	0.5	.002	.02
L	0.65	0.95	.026	.037
e	0.50 BSC		.0197 BSC	
f	0.10	0.30	.004	.012
E	30.95	31.45	1.218	1.238

208 PINS PLASTIC QUAD FLAT PKG
SQUARE GULL WING

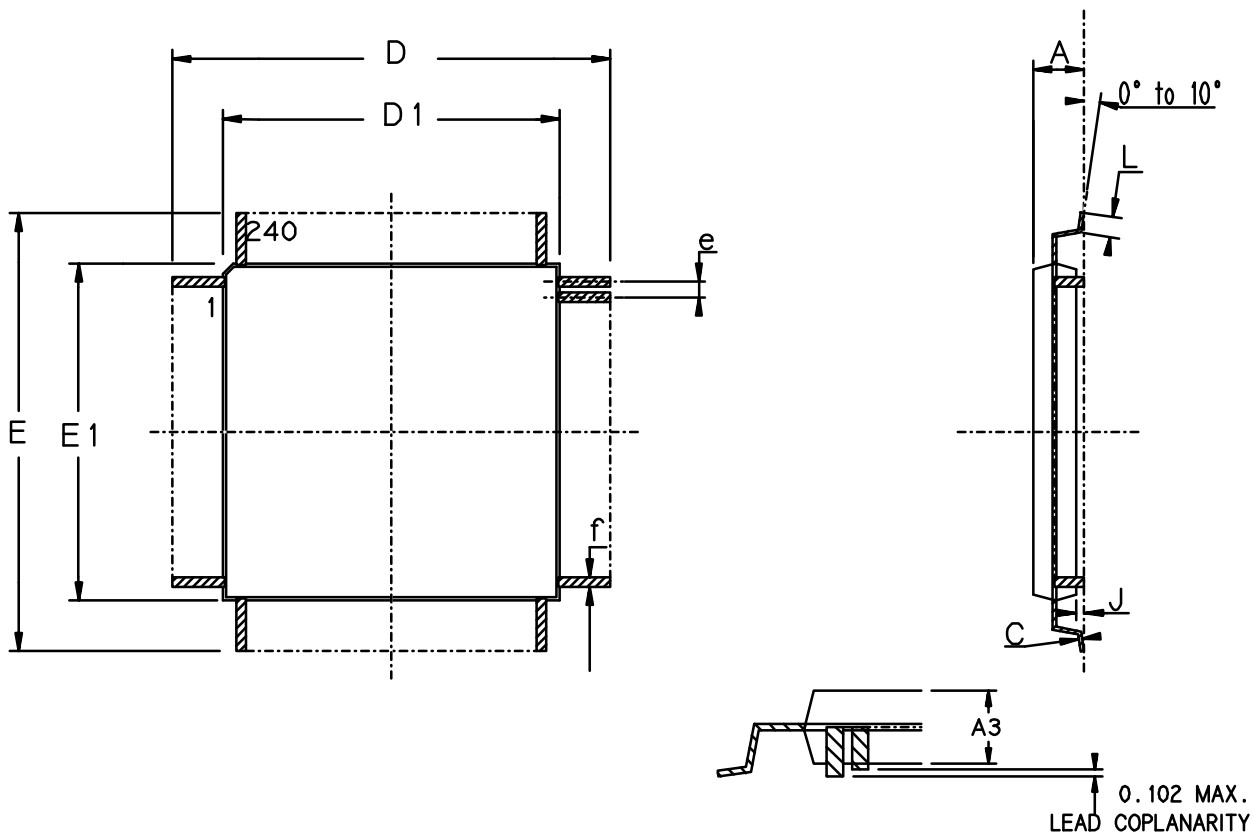


	MM		INCH	
	Min	Max	Min	Max
A	3.22	3.97	.127	.157
C	0.10	0.20	.004	.008
D	30.35	30.85	1.195	1.215
D1	27.90	28.10	1.098	1.106
E	30.35	30.85	1.195	1.215
E1	27.90	28.10	1.098	1.106
e	0.50 BSC		.020 BSC	
f	0.10	0.30	.004	.012
J	0.05	0.50	.002	.020
L	0.45	0.75	.018	.030
N1	52		52	
N2	52		52	

CODE : NY

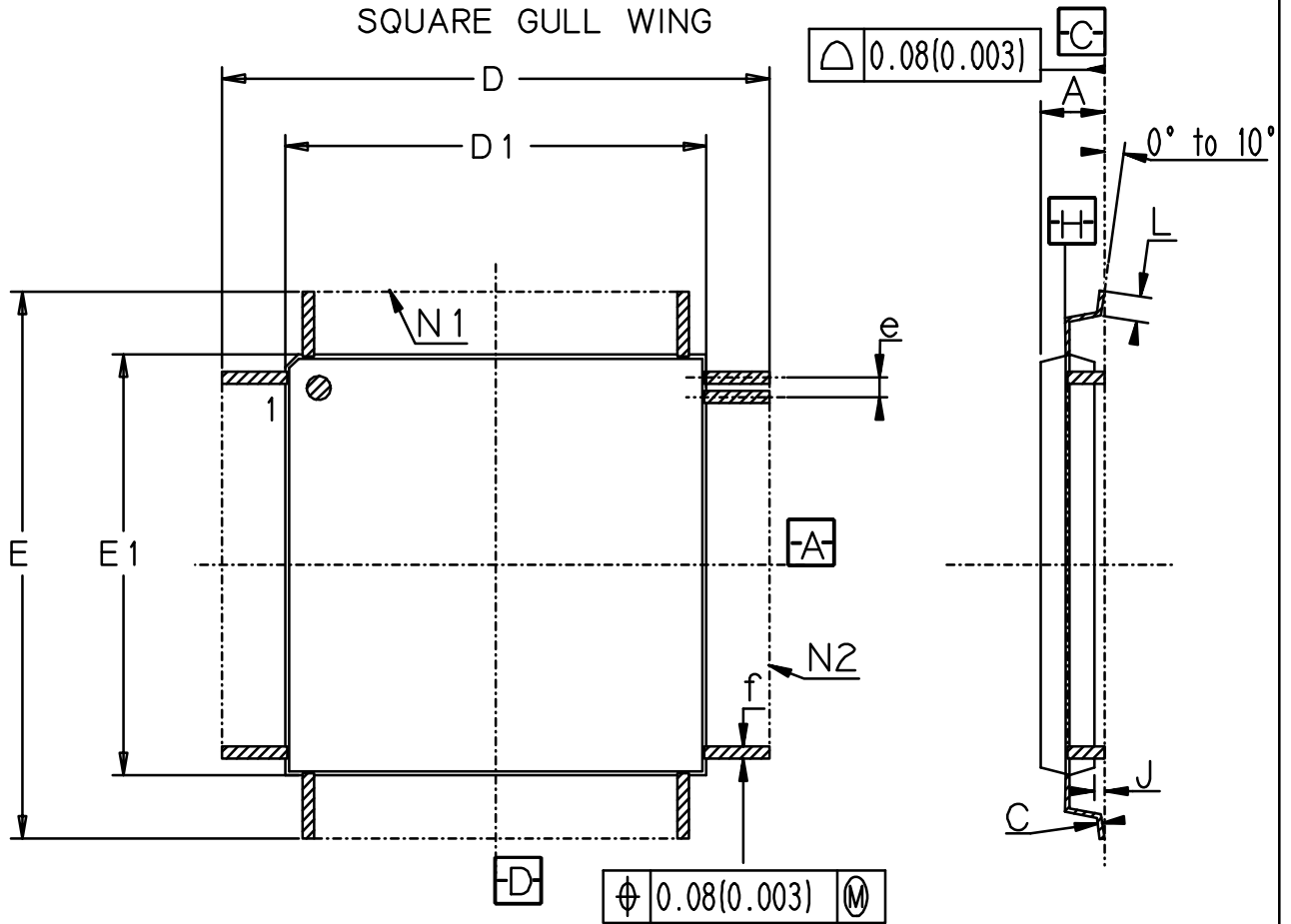
REV : A | DATE : 16-02-95

240 PINS PLASTIC QUAD FLAT PACK
SQUARE GULL WING



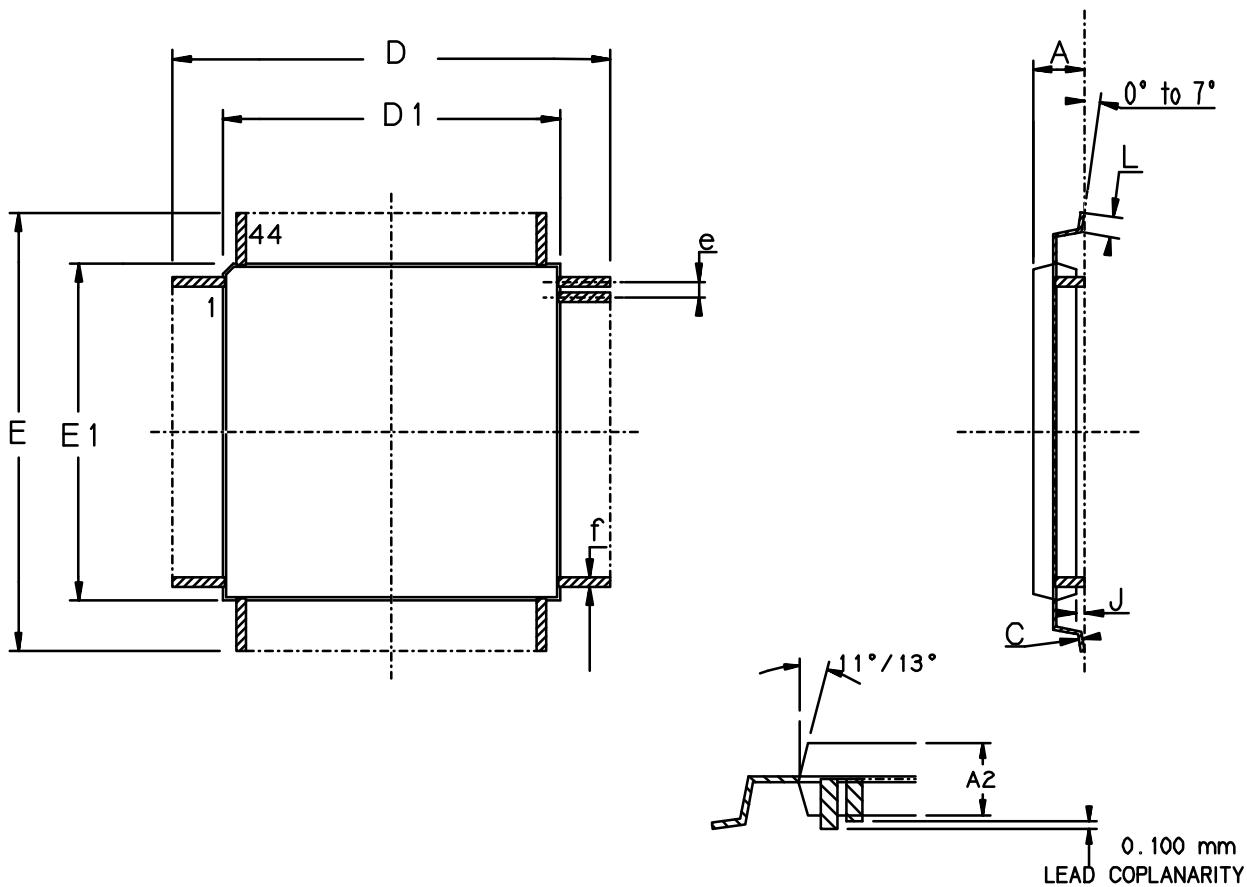
	MM		INCH	
	Min	Max	Min	Max
A	3.42	3.92	.135	.155
A3	3.17	3.47	.125	.137
D	34.35	34.85	1.352	1.372
D1	31.90	32.10	1.256	1.264
E	34.35	34.85	1.352	1.372
E1	31.90	32.10	1.256	1.264
J	0.25	0.45	.010	.018
L	0.65	0.95	.026	.037
e	0.50 BSC		.0197 BSC	
f	0.10	0.30	.004	.012

304 PINS PLASTIC QUAD FLAT PKG
SQUARE GULL WING



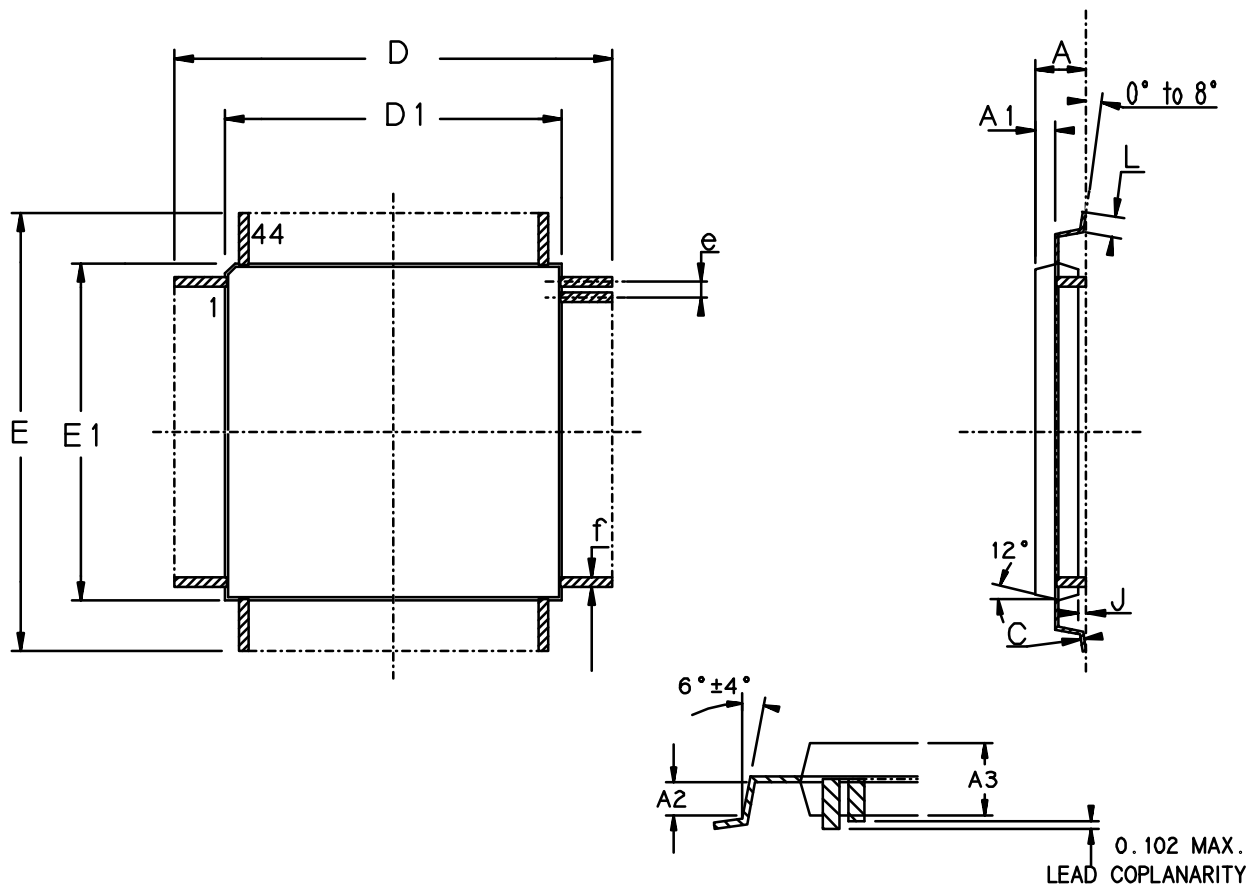
	MM		INCH	
	Min	Max	Min	Max
A	3.95	4.45	.156	.175
C	0.10	0.20	.004	.008
D	42.35	42.85	1.667	1.687
D1	39.90	40.10	1.571	1.579
E	42.35	42.85	1.667	1.687
E1	39.90	40.10	1.571	1.579
e	0.50 BSC		.020 BSC	
f	0.10	0.30	.004	.012
J	0.25	0.45	.010	.018
L	0.45	0.75	.018	.030
N1	76		76	
N2	76		76	

64 PINS THIN QUAD FLAT PACK



	MM		INCH	
	Min	Max	Min	Max
A	----	1.20	----	.047
A2	0.95	1.05	.037	.041
C	0.09	0.20	.004	.008
D	16.00 BSC		.630 BSC	
D1	14.00 BSC		.551 BSC	
E	16.00 BSC		.630 BSC	
E1	14.00 BSC		.551 BSC	
J	0.05	0.15	.002	.006
L	0.45	0.75	.018	.030
e	0.80 BSC		.0315 BSC	
f	0.30	0.45	.012	.018

44 PINS SHRINK QUAD FLAT PACK
SQUARE GULL WING (1.4 mm)

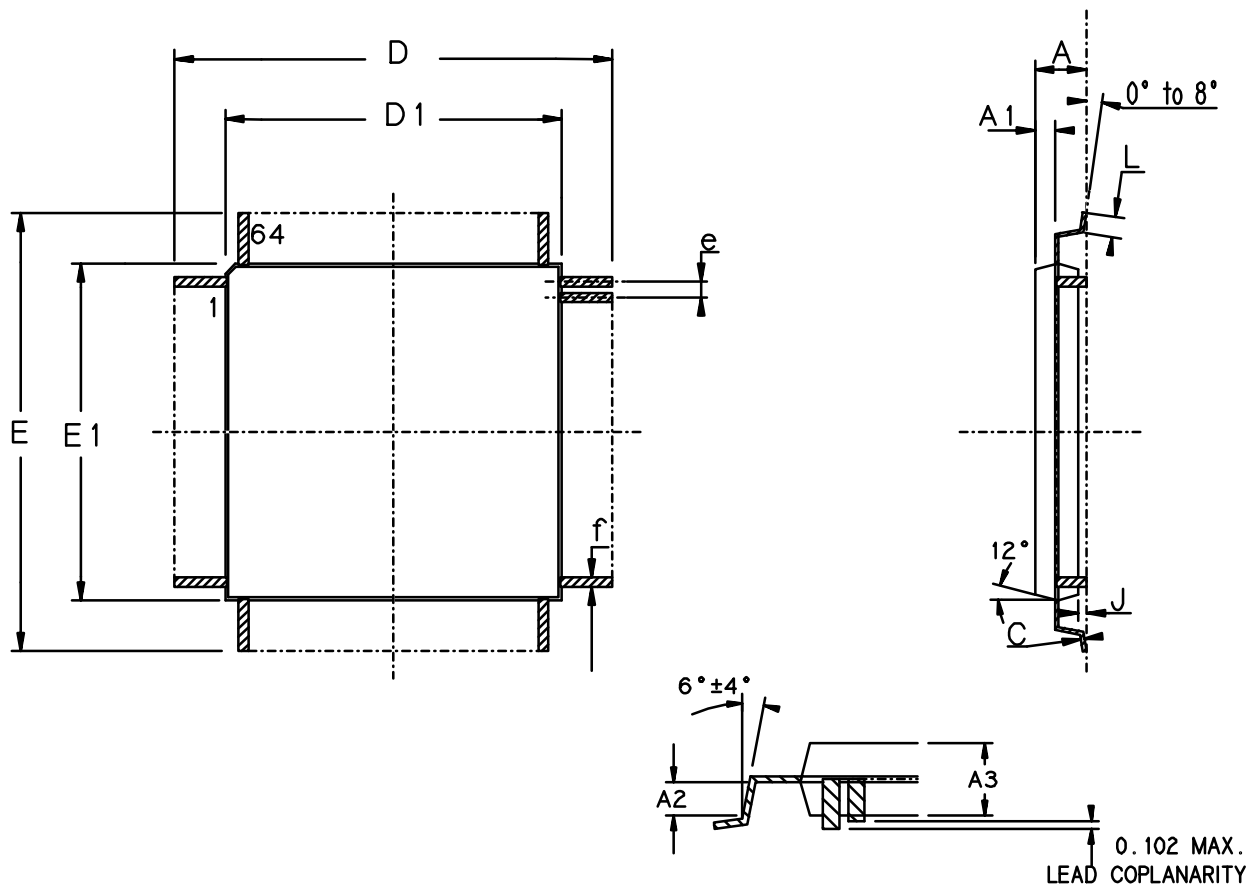


	MM		INCH	
	Min	Max	Min	Max
A	-	1.60	-	.063
A1	0.64 REF		.025 REF	
A2	0.64 REF		.025 REF	
A3	1.35	1.45	.053	.057
D	11.90	12.10	.468	.476
D1	9.90	10.10	.390	.398
E	11.90	12.10	.468	.476
E1	9.90	10.10	.390	.398
J	0.05	-	.002	-
L	0.45	0.75	.018	.030
e	0.80 BSC		.0315 BSC	
f	0.35 BSC		.014 BSC	

CODE : RL

REV : B DATE : 02-03-95

64 PINS SHRINK QUAD FLAT PACK
SQUARE GULL WING (1.4 mm)

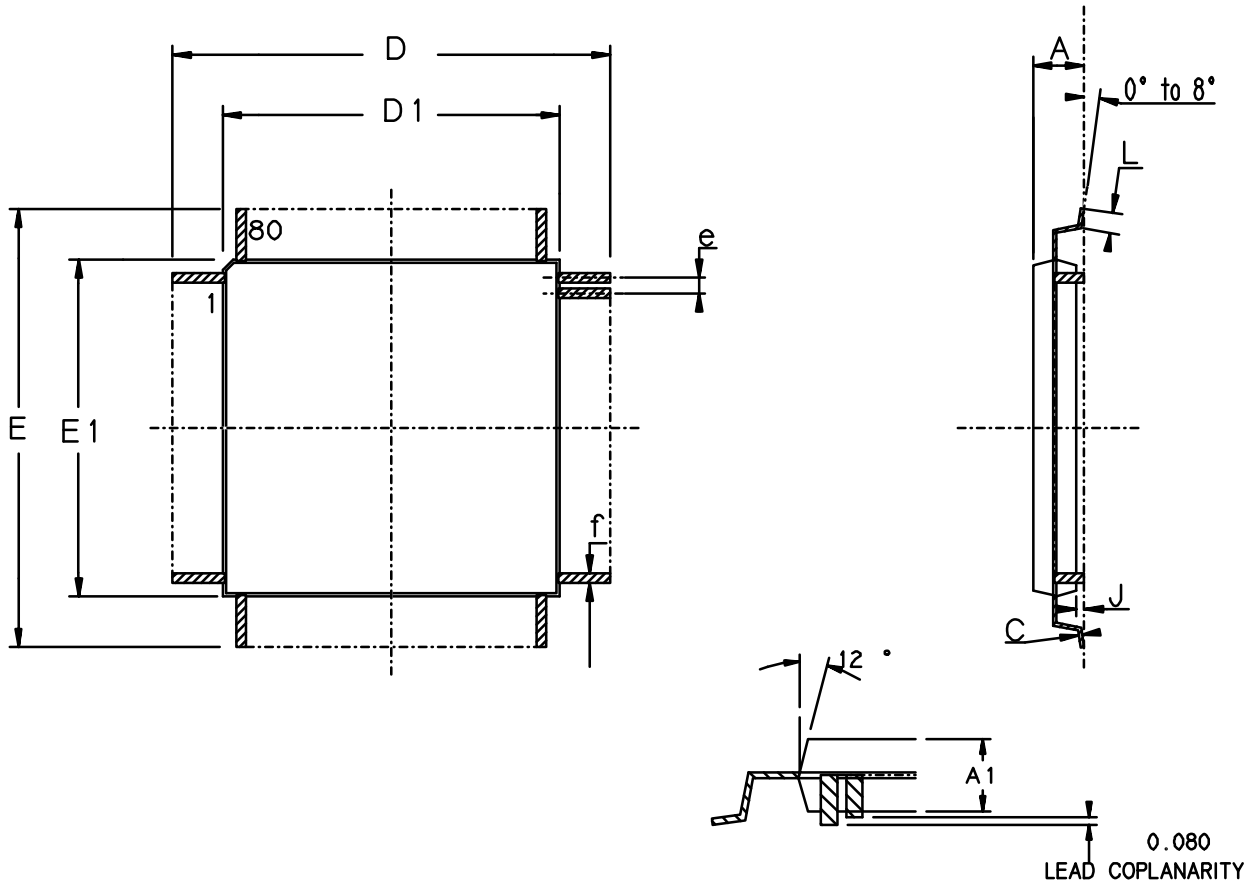


	MM		INCH	
	Min	Max	Min	Max
A	-	1.60	-	.063
A1	0.64 REF		.025 REF	
A2	0.64 REF		.025 REF	
A3	1.35	1.45	.053	.057
D	11.75	12.25	.463	.483
D1	9.90	10.10	.390	.398
E	11.75	12.25	.463	.483
E1	9.90	10.10	.390	.398
J	0.05	-	.002	-
L	0.45	0.75	.018	.030
e	0.50 BSC		.0197 BSC	
f	0.25 BSC		.010 BSC	

CODE : RD

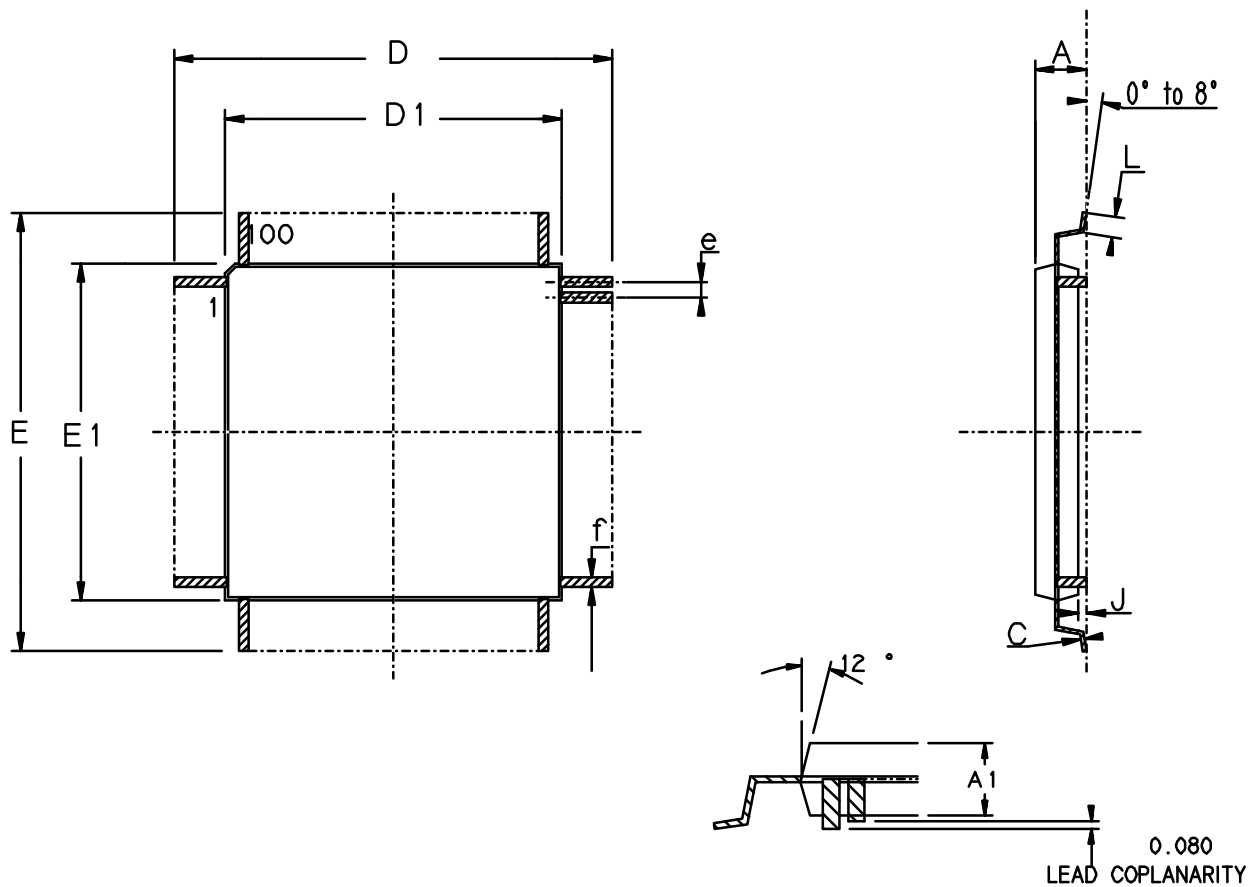
REV : B DATE : 25-04-94

80 PINS SHRINK QUAD FLAT PACK
SQUARE GULL WING (1.4 mm)



	MM		INCH	
	Min	Max	Min	Max
A	1.40	1.60	.055	.063
A1	1.35	1.45	.053	.057
C	0.17 BSC		.007 BSC	
D	15.80	16.20	.622	.638
D1	13.90	14.10	.547	.555
E	15.80	16.20	.622	.638
E1	13.90	14.10	.547	.555
J	0.05	0.15	.002	.006
L	0.45	0.75	.018	.030
e	0.65 BSC		.0256 BSC	
f	0.30 BSC		.012 BSC	

100 PINS SHRINK QUAD FLAT PACK
SQUARE GULL WING (1.4 mm)

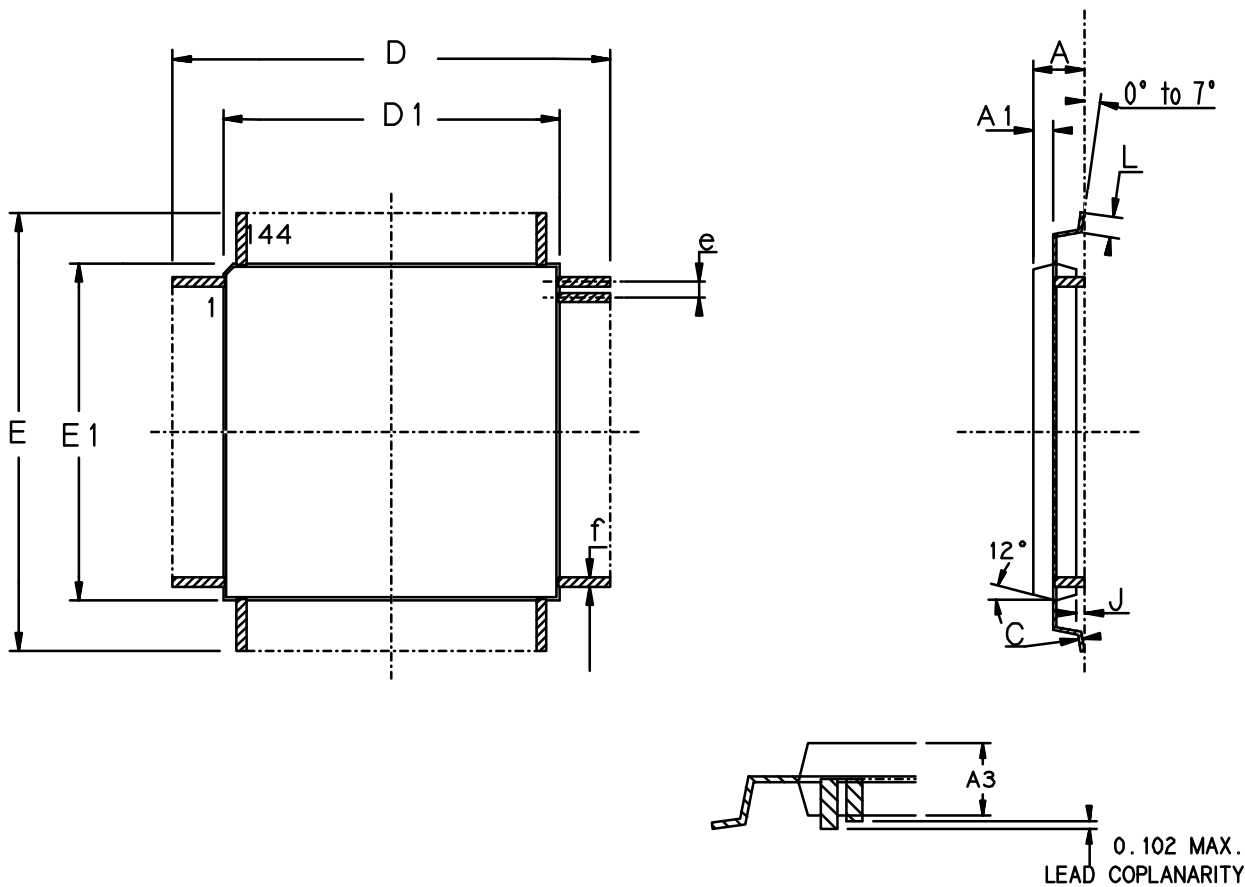


	MM		INCH	
	Min	Max	Min	Max
A	1.40	1.60	.055	.063
A1	1.35	1.45	.053	.057
C	0.17 BSC		.007 BSC	
D	15.80	16.20	.622	.638
D1	13.90	14.10	.547	.555
E	15.80	16.20	.622	.638
E1	13.90	14.10	.547	.555
J	0.05	0.15	.002	.006
L	0.45	0.75	.018	.030
e	0.50 BSC		.0197 BSC	
f	0.22 BSC		.009 BSC	

CODE : RT

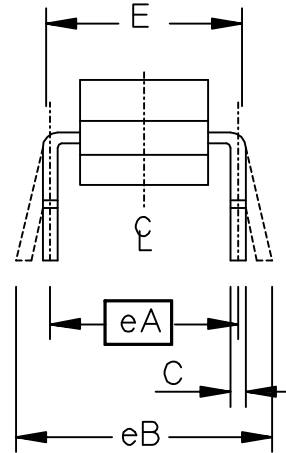
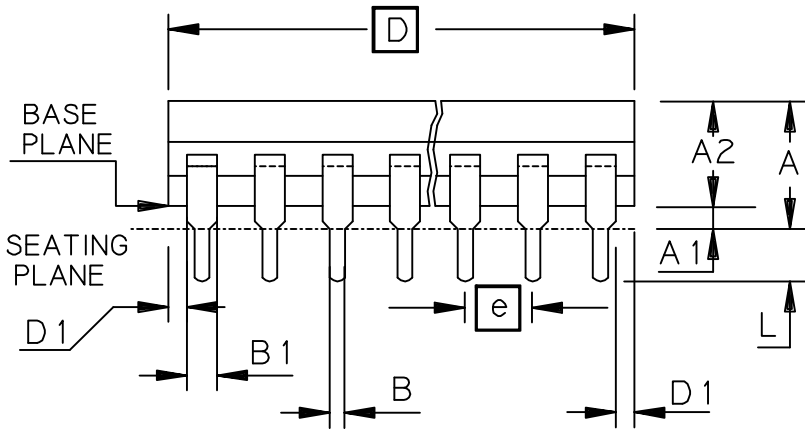
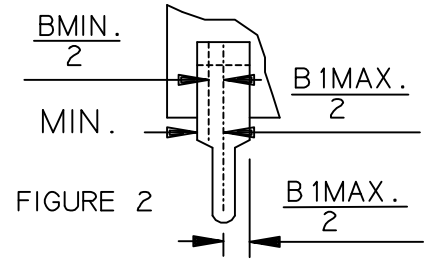
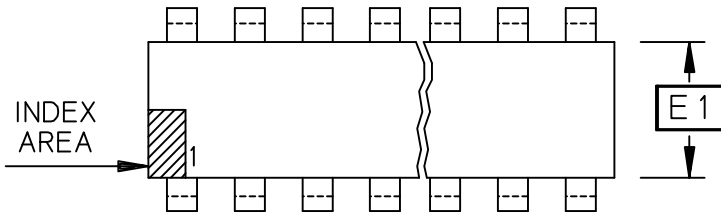
REV : C DATE : 07-03-95

144 PINS SHRINK QUAD FLAT PACK
SQUARE GULL WING (1.4 mm)



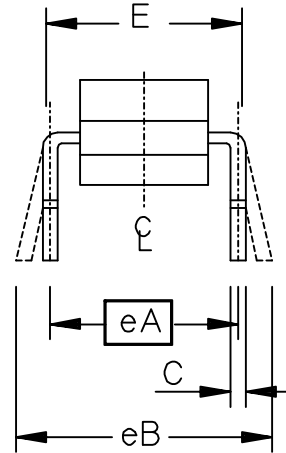
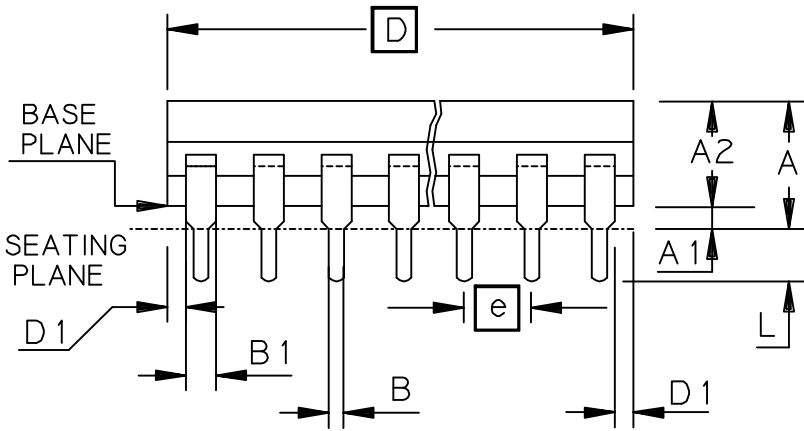
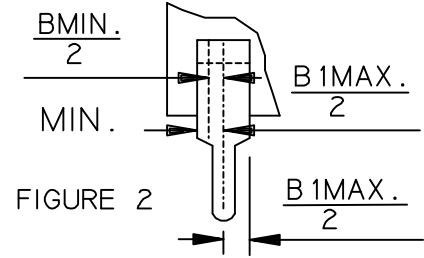
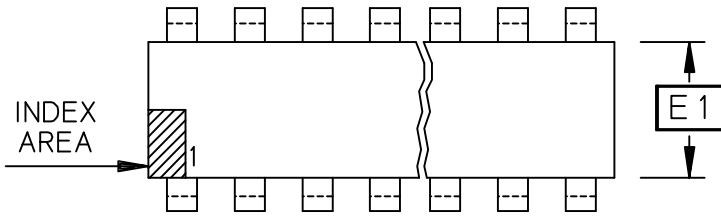
	MM		INCH	
	Min	Max	Min	Max
A	-	1.60	-	.063
C	0.09	0.20	.004	.008
A3	1.35	1.45	.053	.057
D	21.90	22.10	.862	.870
D1	19.90	20.10	.783	.791
E	21.90	22.10	.862	.870
E1	19.90	20.10	.783	.791
J	0.05	0.15	.002	.006
L	0.45	0.75	.018	.030
e	0.50 BSC		.0197 BSC	
f	0.22 BSC		.009 BSC	

16 PINS CERDIP .300



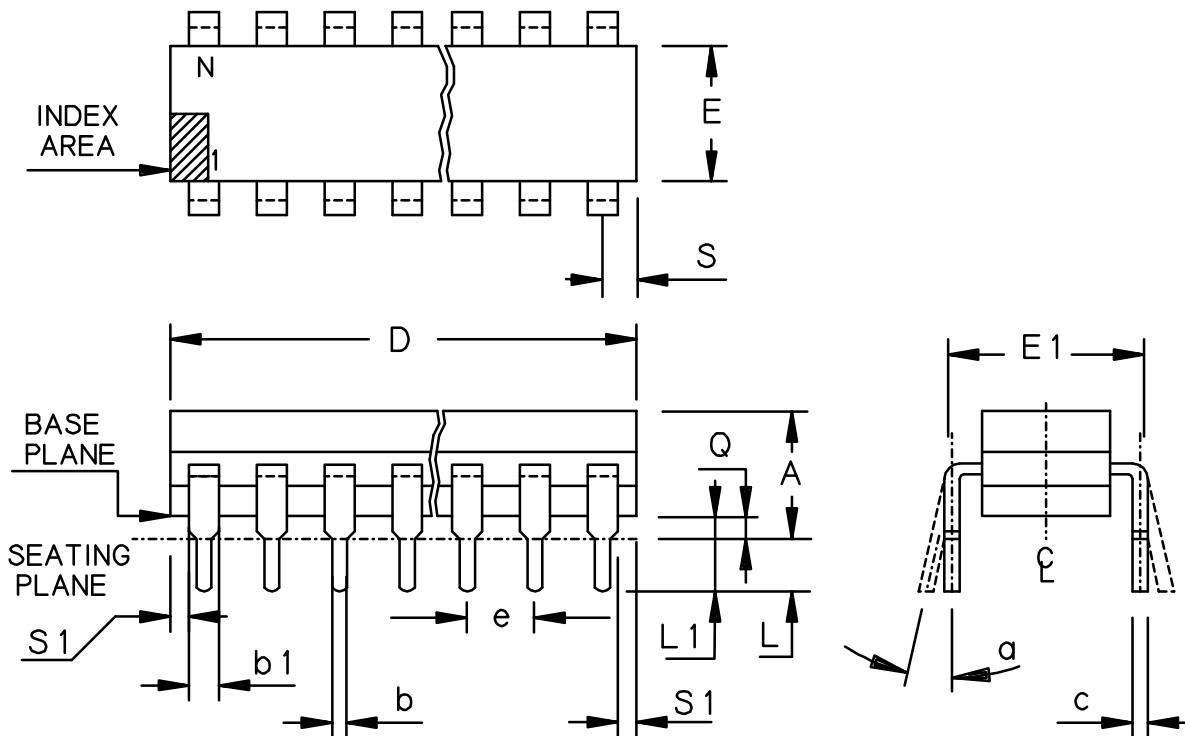
	MM		INCH	
	min	max	min	max
A	-	5.71	-	.225
A1	0.51	-	.020	-
A2	3.81	4.57	.150	.180
B	0.36	0.58	.014	.023
B1	0.76	1.78	.030	.070
C	0.20	0.38	.008	.015
D	19.30	20.07	.760	.790
D1	0.13	-	.005	-
E	8.00	8.38	.315	.330
E1	7.24	7.87	.285	.310
e	2.54	B.S.C	.100	B.S.C
eA	7.62	B.S.C	.300	B.S.C
eB	-	10.92	-	.430
L	3.17	5.08	.125	.200
PKG STD	-01-			

18 PINS CERDIP .300



	MM		INCH	
	min	max	min	max
A	-	5.33	-	.210
A1	0.39	-	.015	-
A2	2.92	4.95	.115	.195
B	0.36	-	.014	-
B1	1.14	1.78	.045	.070
C	0.20	0.38	.008	.015
D	22.40	22.81	.882	.898
D1	0.13	-	.005	-
E	7.62	8.25	.300	.325
E1	6.10	7.11	.240	.280
e	2.54	B.S.C	.100	B.S.C
eA	7.62	B.S.C	.300	B.S.C
eB	-	10.92	-	.430
L	2.92	4.06	.115	.160
PKG STD	-02-			

20 LEADS CERDIP .300



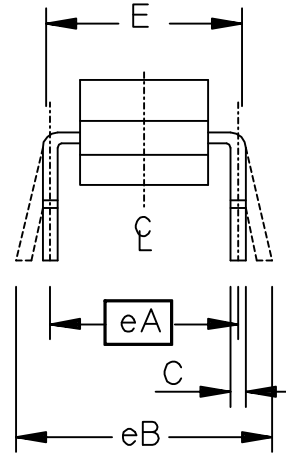
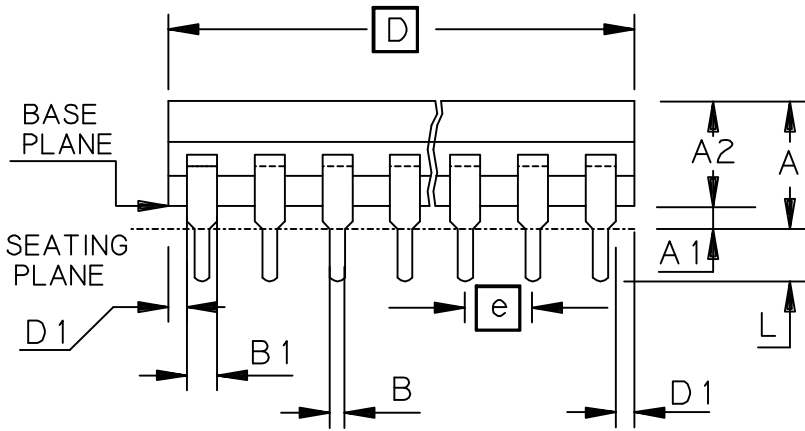
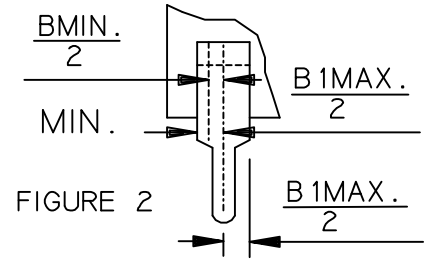
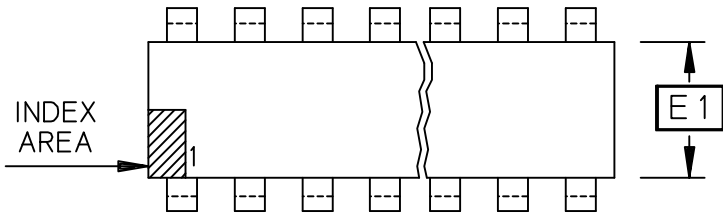
	MM		INCH	
	min	max	min	max
A	-	5.08	-	.200
b	0.36	0.58	.014	.023
b1	0.96	1.65	.038	.065
c	0.20	0.38	.008	.015
D	-	26.92	-	1.060
E	5.59	7.87	.220	.310
E1	7.37	8.13	.290	.320
e	2.54 B.S.C		.100 B.S.C	
L	3.18	5.08	.125	.200
L1	3.81	-	.150	-
Q	0.38	1.78	.015	.070
S	-	2.03	-	.080
S1	0.13	-	.005	-
a	0° - 15°		0° - 15°	
N	20			

COMPLIANT MIL-M-38510H (D-8).

CODE : 1G

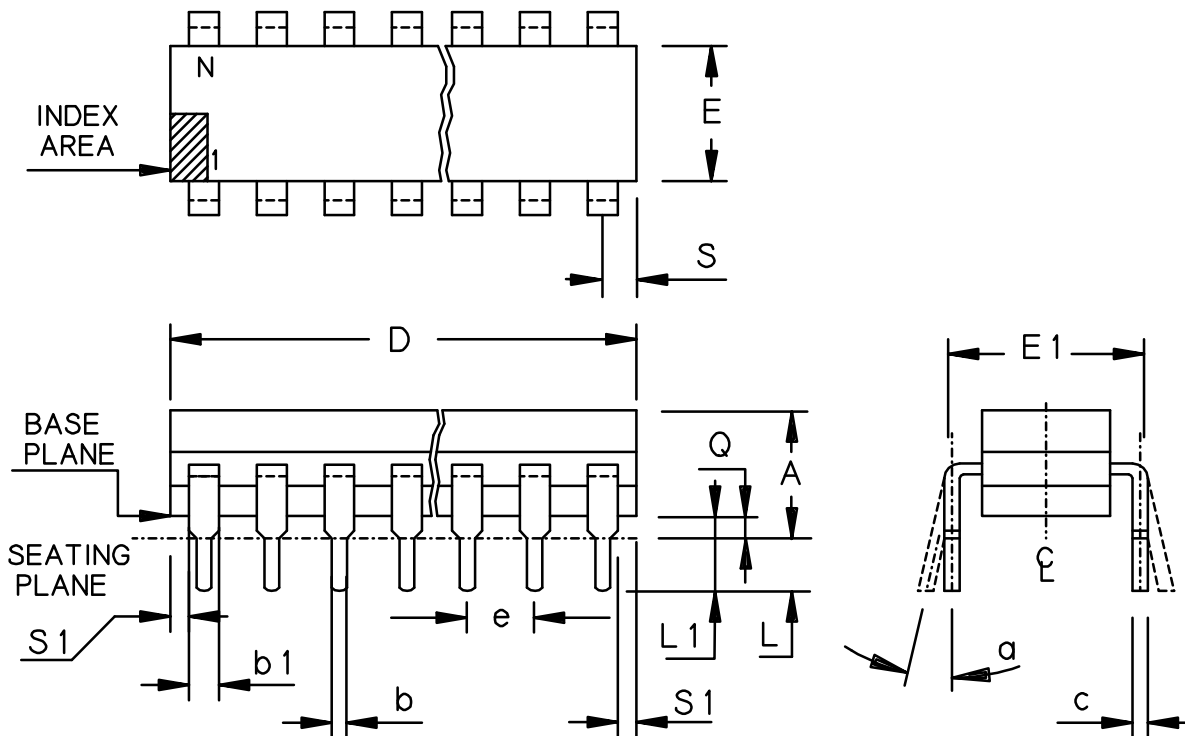
REV : G DATE : 17-11-93

22 PINS CERDIP .300



	MM		INCH	
	min	max	min	max
A	-	5.84	-	.230
A1	0.51	-	.020	-
A2	3.17	4.95	.125	.195
B	0.36	0.58	.014	.023
B1	0.89	1.78	.035	.070
C	0.20	0.38	.008	.015
D	26.92	28.19	1.060	1.110
D1	0.13	-	.005	-
E	7.82	8.00	.308	.315
E1	7.24	7.87	.285	.310
e	2.54	B.S.C	.100	B.S.C
eA	7.62	B.S.C	.300	B.S.C
eB	-	10.82	-	.426
L	3.18	5.08	.125	.200
PKG STD	-02-			

24 LEADS CERDIP .300



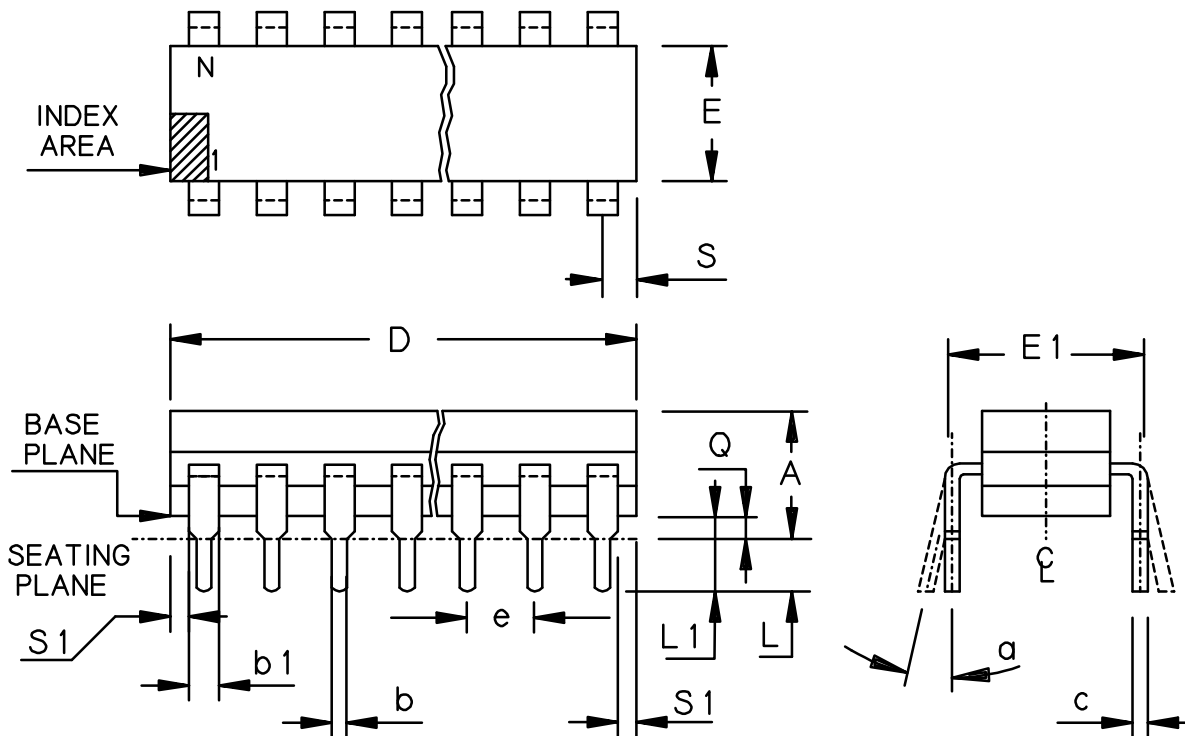
	MM		INCH	
	min	max	min	max
A	-	5.08	-	.200
b	0.36	0.58	.014	.023
b1	0.96	1.65	.038	.065
c	0.20	0.38	.008	.015
D	-	32.51	-	1.280
E	5.59	7.87	.220	.310
E1	7.37	8.13	.290	.320
e	2.54 B.S.C		.100 B.S.C	
L	3.18	5.08	.125	.200
L1	3.81	-	.150	-
Q	0.38	1.52	.015	.060
S	-	2.49	-	.098
S1	0.13	-	.005	-
a	0° - 15°		0° - 15°	
N	24			

COMPLIANT MIL-M-38510H (D-9).

CODE : 1Z

REV : J DATE : 29-06-94

24 LEADS CERDIP .600



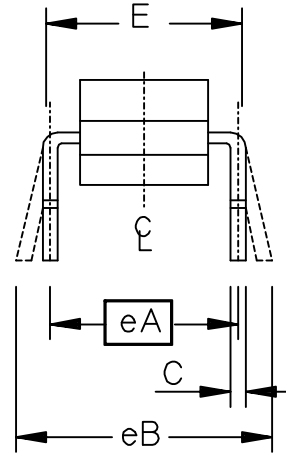
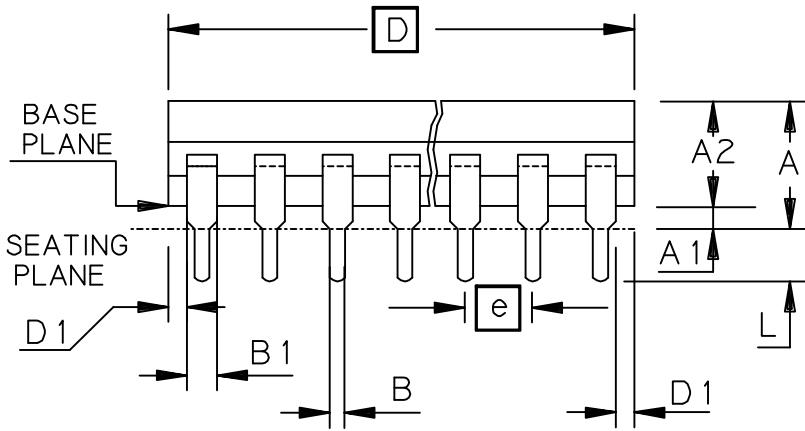
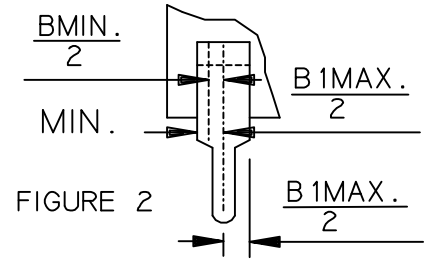
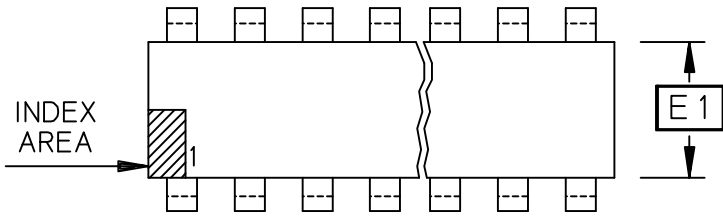
	MM		INCH	
	min	max	min	max
A	-	5.71	-	.225
b	0.36	0.58	.014	.023
b1	0.96	1.65	.038	.065
c	0.20	0.38	.008	.015
D	-	32.77	-	1.290
E	12.70	15.50	.500	.610
E1	14.99	15.75	.590	.620
e	2.54 B.S.C		.100 B.S.C	
L	3.18	5.08	.125	.200
L1	3.81	-	.150	-
Q	0.38	1.90	.015	.075
S	-	2.49	-	.098
S1	0.13	-	.005	-
a	0° - 15°		0° - 15°	
N	24			

COMPLIANT MIL-M-38510H (D-3).

CODE : 1

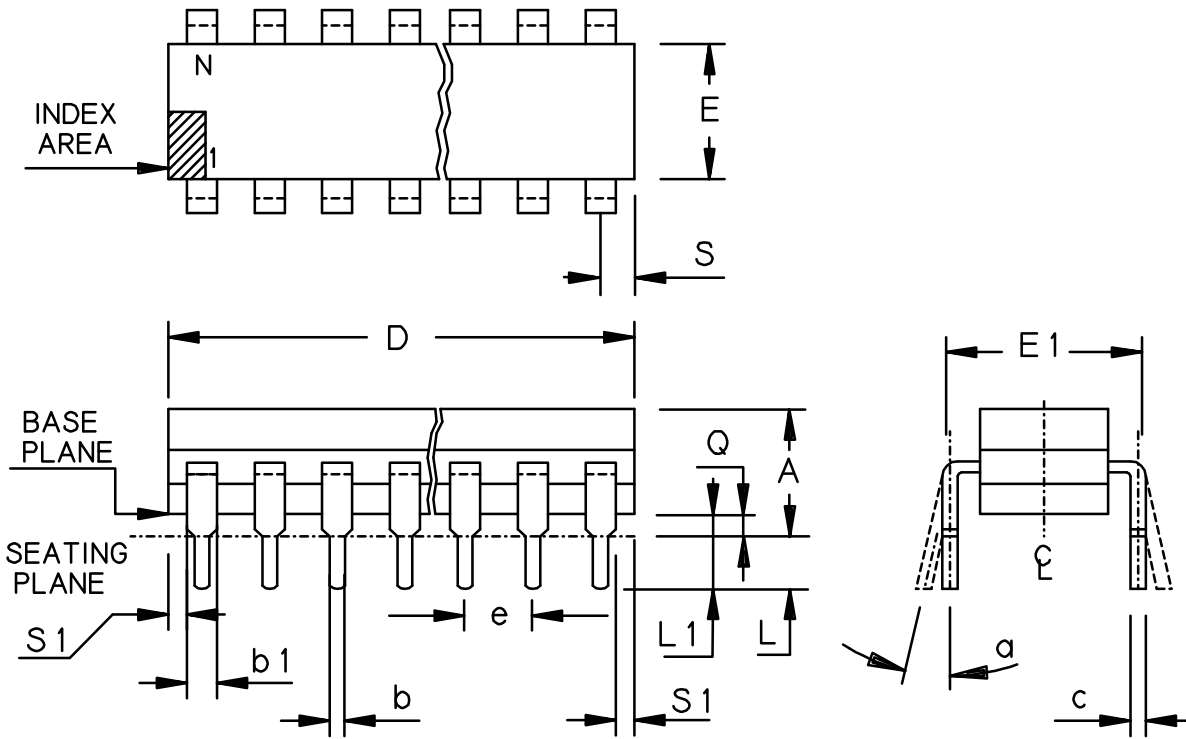
REV : F DATE : 17-11-93

24 PINS CERDIP .600



	MM		INCH	
	min	max	min	max
A	-	5.33	-	.210
A1	0.39	-	.015	-
A2	2.92	4.95	.115	.195
B	0.36	-	.014	-
B1	1.14	1.78	.045	.070
C	0.20	0.38	.008	.015
D	31.50	32.51	1.240	1.280
D1	0.13	-	.005	-
E	15.24	15.74	.600	.620
E1	14.50	15.11	.571	.595
e	2.54	B.S.C	.100	B.S.C
eA	15.24	B.S.C	.600	B.S.C
eB	-	17.78	-	.700
L	3.17	5.08	.125	.200
PKG STD	-01-			

28 LEADS CERDIP .300



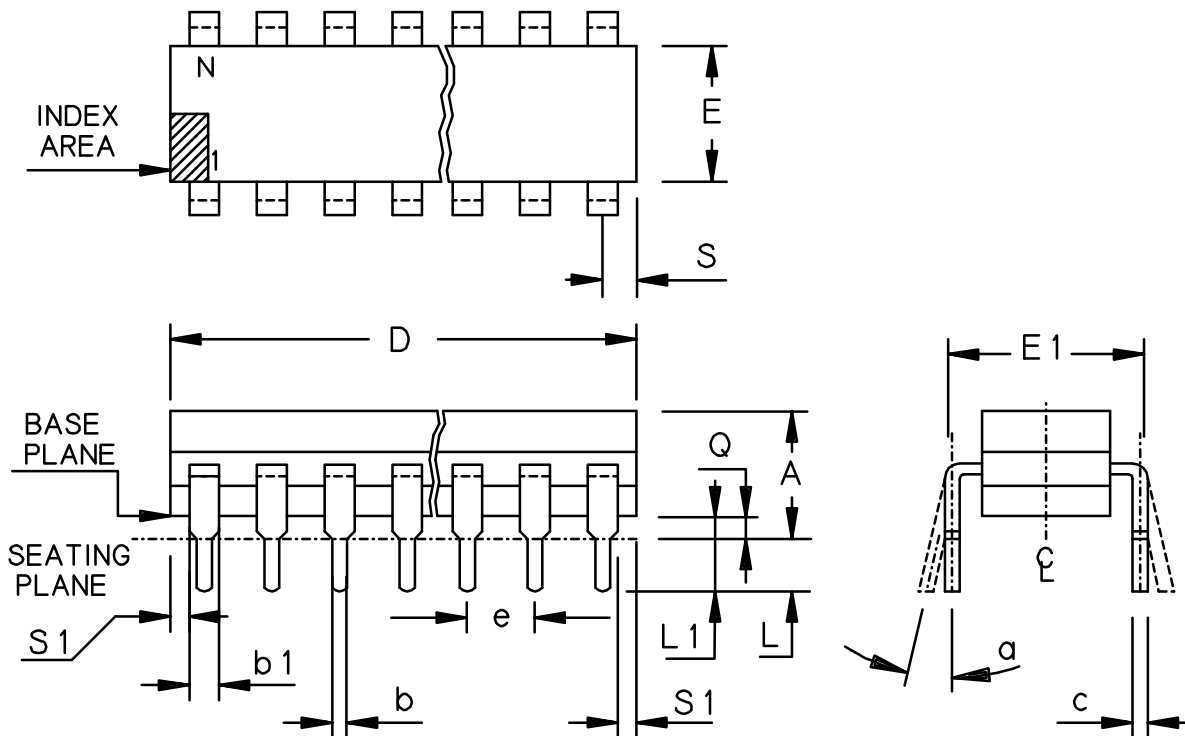
	MM		INCH	
	min	max	min	max
A	3.30	5.84	.130	.230
b	0.36	0.58	.014	.023
b1	0.96	1.65	.038	.065
c	0.20	0.38	.008	.015
D	-	37.72	-	1.485
E	6.10	7.87	.240	.310
E1	7.36	8.13	.290	.320
e	2.54 B.S.C		.100 B.S.C	
L	2.92	5.08	.115	.200
L1	3.30	-	.130	-
Q	0.38	2.54	.015	.100
S	-	2.54	-	.100
S1	0.13	-	.005	-
a	0° - 15°		0° - 15°	
N	28			

COMPLIANT MIL-M-38510H (D-15).

CODE : 1P

REV : D DATE : 29-06-94

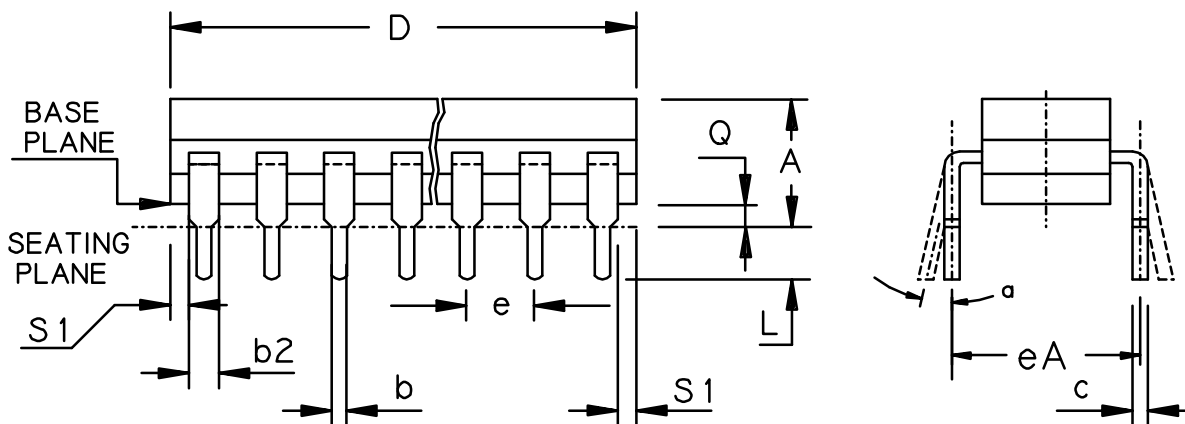
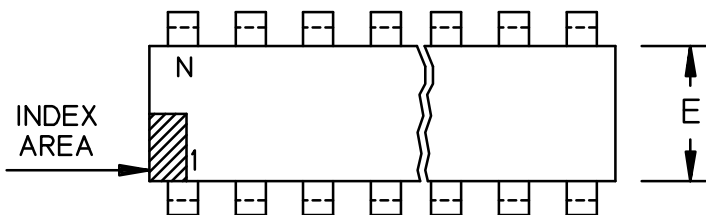
28 LEADS CERDIP .600



	MM		INCH	
	min	max	min	max
A	-	5.89	-	.232
b	0.36	0.58	.014	.023
b1	0.96	1.65	.038	.065
c	0.20	0.38	.008	.015
D	-	37.85	-	1.490
E	12.70	15.49	.500	.610
E1	14.99	15.75	.590	.620
e	2.54 B.S.C		.100 B.S.C	
L	3.18	5.08	.125	.200
L1	3.81	-	.150	-
Q	0.38	1.52	.015	.060
S	-	2.54	-	.100
S1	0.13	-	.005	-
a	0° - 15°		0° - 15°	
N	28			

COMPLIANT MIL-M-38510H (D-10)

40 LEADS CERDIP .600



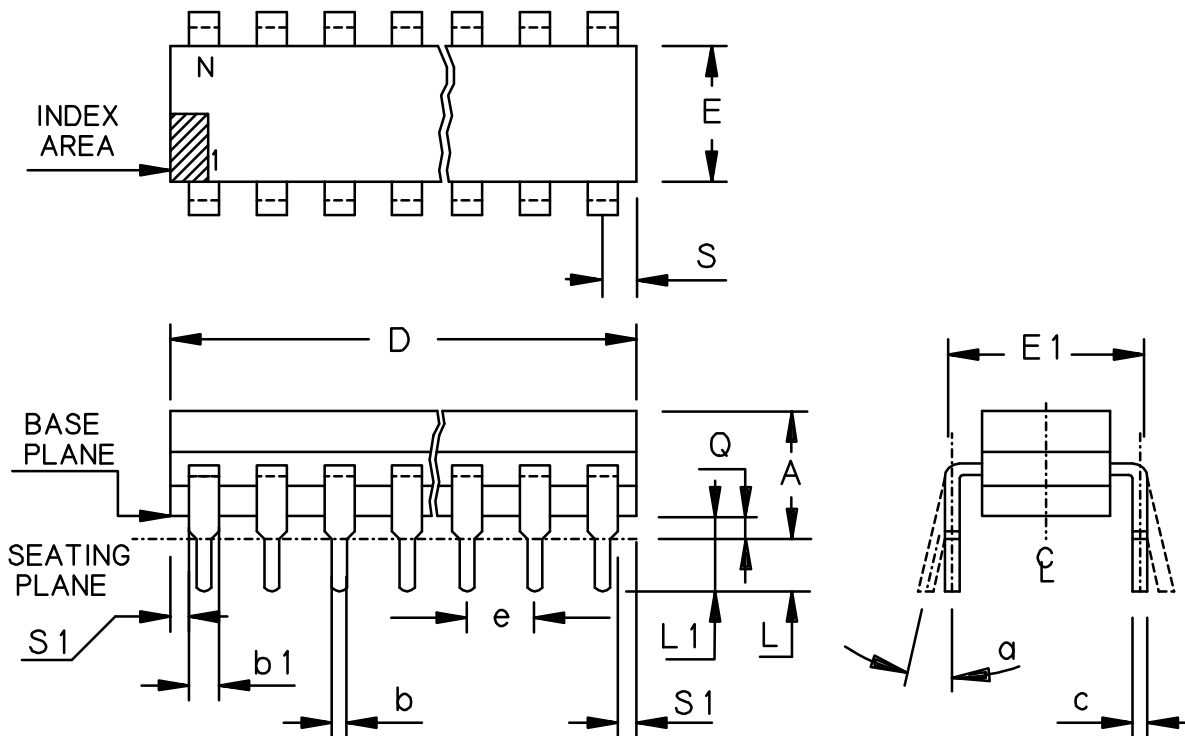
	MM		INCH	
	min	max	min	max
A	-	5.71	-	.225
b	0.36	0.58	.014	.023
b2	1.14	1.65	.045	.065
c	0.20	0.38	.008	.015
D	-	53.24	-	2.096
E	12.95	15.75	.510	.620
eA	15.24 B.S.C.		.600 B.S.C	
e	2.54 B.S.C		.100 B.S.C	
L	3.18	5.08	.125	.200
Q	0.38	1.78	.015	.070
S1	0.13	-	.005	-
a	0° - 15°		0° - 15°	
N	40			

COMPLIANT MIL-STD-1835 (D-5).

CODE : 1C

REV : G | DATE : 19-04-94

48 LEADS CERDIP .600



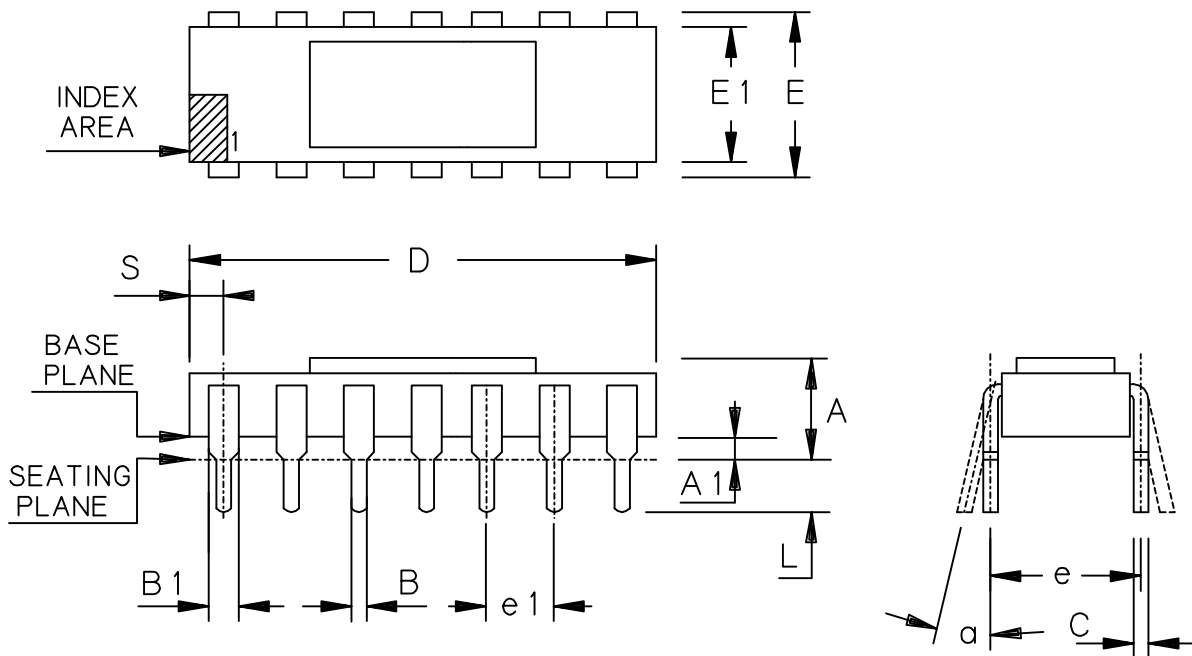
	MM		INCH	
	min	max	min	max
A	-	5.71	-	.225
b	0.36	0.58	.014	.023
b1	0.96	1.65	.038	.065
c	0.20	0.38	.008	.015
D	-	61.85	-	2.435
E	12.95	15.75	.510	.620
E1	14.90	16.00	.590	.630
e	2.54 B.S.C		.100 B.S.C	
L	3.18	5.08	.125	.200
L1	3.81	-	.150	-
Q	0.38	1.78	.015	.070
S	-	2.54	-	.100
S1	0.13	-	.005	-
a	0° - 15°		0° - 15°	
N	48			

COMPLIANT MIL-M-38510H (D-14).

CODE : 1K

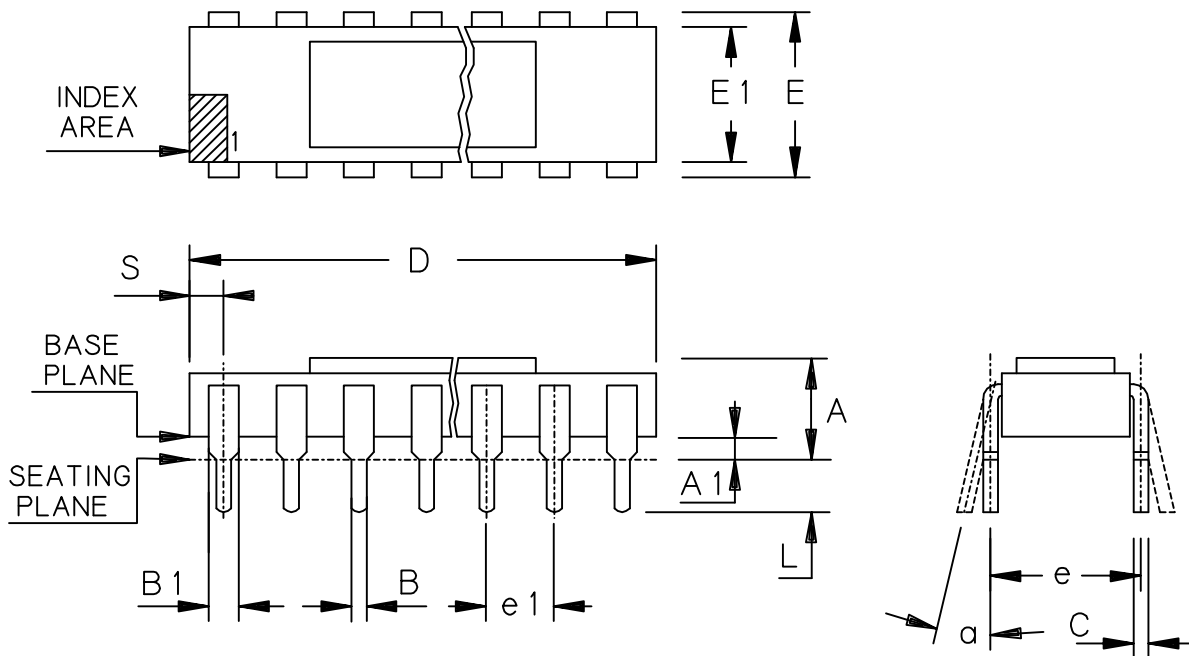
REV : E | DATE : 01-02-91

14 LEAD SIDE BRAZE .300



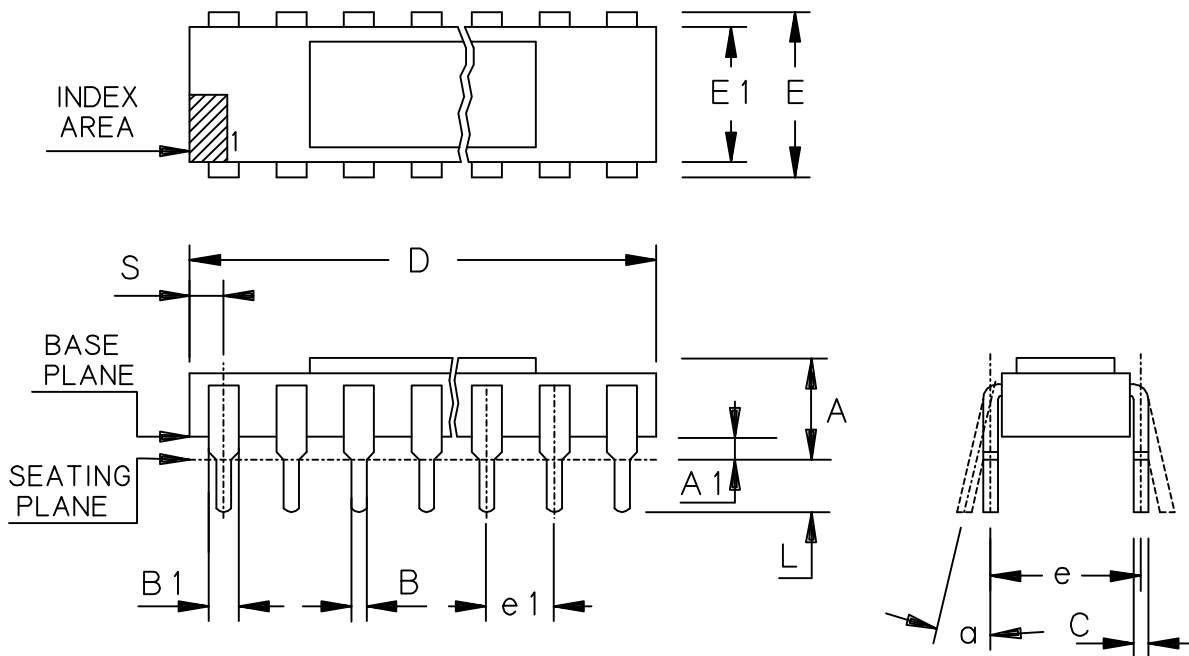
	MM		INCH	
A	3.17	4.32	.125	.170
A1	1.14	1.65	.045	.065
B	0.40	0.50	.016	.020
B1	1.14	1.40	.045	.055
C	0.20	0.30	.008	.012
D	17.52	18.03	.690	.710
E	7.62	8.13	.300	.320
E1	7.11	7.87	.280	.310
L	3.18	4.44	.125	.175
S	1.10	1.45	.043	.057
e	7.62	TYP	.300	TYP
e1	2.54	TYP	.100	TYP
a	0°		15°	
PKG STD		00		

16 LEAD SIDE BRAZE .300



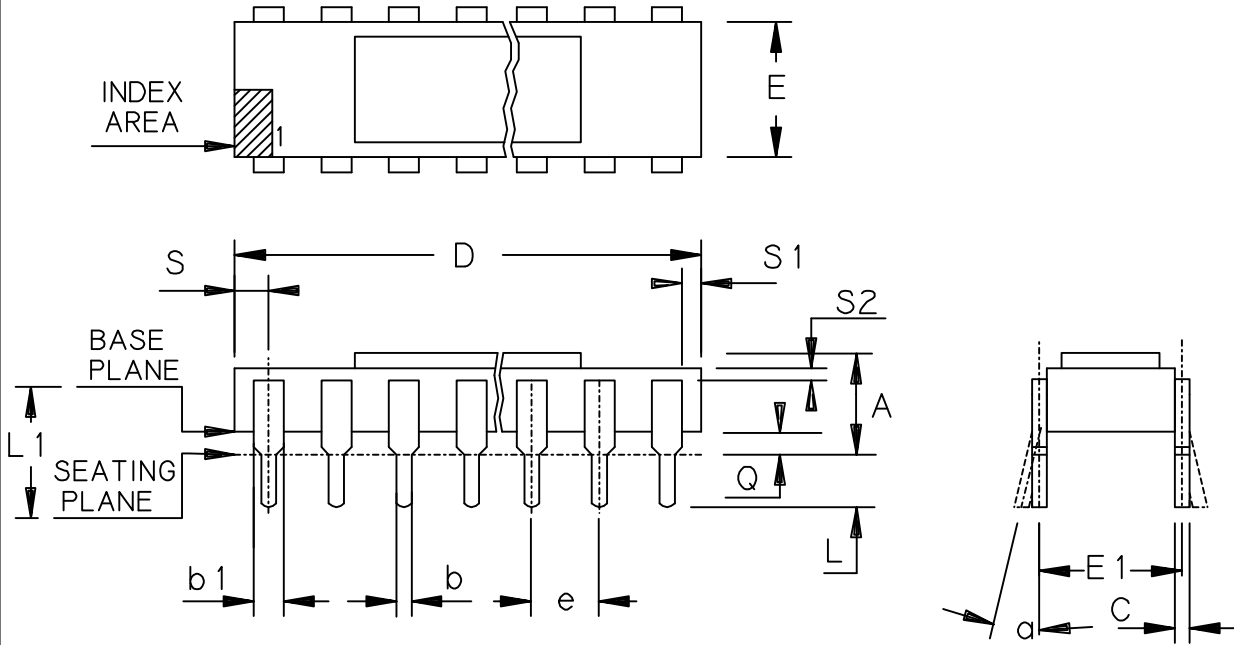
	MM		INCH	
A	2.67	4.44	.105	.175
A1	0.63	1.40	.025	.055
B	0.38	0.53	.015	.021
B1	0.96	1.52	.038	.060
C	0.20	0.30	.008	.012
D	19.56	21.08	.770	.830
E	7.49	8.25	.295	.325
E1	7.11	7.87	.280	.310
L	3.18	4.44	.125	.175
S	1.10	1.45	.043	.057
e	7.62	TYP	.300	TYP
e1	2.54	TYP	.100	TYP
a	0°		15°	
PKG STD		00		

18 LEAD SIDE BRAZE .300



	MM		INCH	
A	2.67	4.44	.105	.175
A1	0.63	1.40	.025	.055
B	0.38	0.53	.015	.021
B1	0.96	1.52	.038	.060
C	0.20	0.30	.008	.012
D	22.36	23.62	.880	.930
E	7.49	8.25	.295	.325
E1	7.11	7.87	.280	.310
L	3.18	4.44	.125	.175
S	1.10	1.45	.043	.057
e	7.62	TYP	.300	TYP
e1	2.54	TYP	.100	TYP
a	0°		15°	
PKG STD		00		

20 LEAD SIDE BRAZE .300



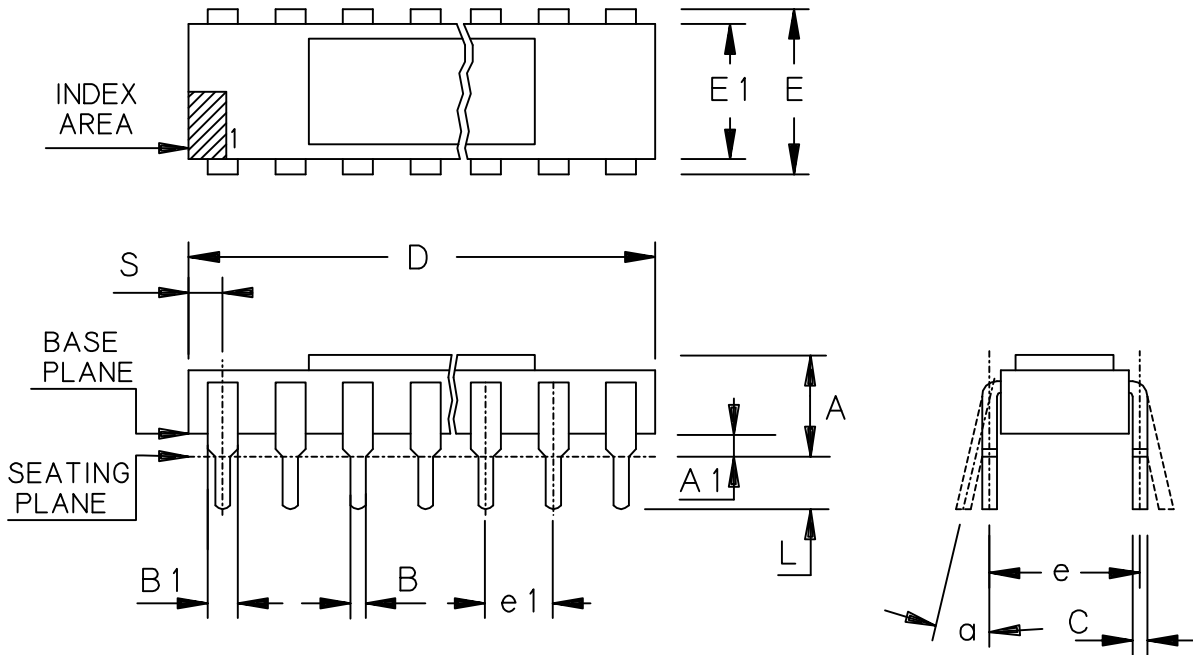
	MM		INCH	
A	-	5.08	-	.200
Q	0.38	1.78	.015	.070
b	0.36	0.58	.014	.023
b1	0.96	1.65	.038	.065
C	0.20	0.38	.008	.015
D	-	26.92	-	1.060
S1	0.13	-	.005	-
E	5.59	7.87	.220	.310
L	3.18	5.08	.125	.200
S	-	2.03	-	.080
E1	7.37	8.13	.290	.320
e	2.54	BSC	.100	BSC
S2	0.13	-	.005	-
a	0°		15°	
L1	3.81	-	.150	-

COMPLIANT MIL 38510 (D-8)

CODE : CG

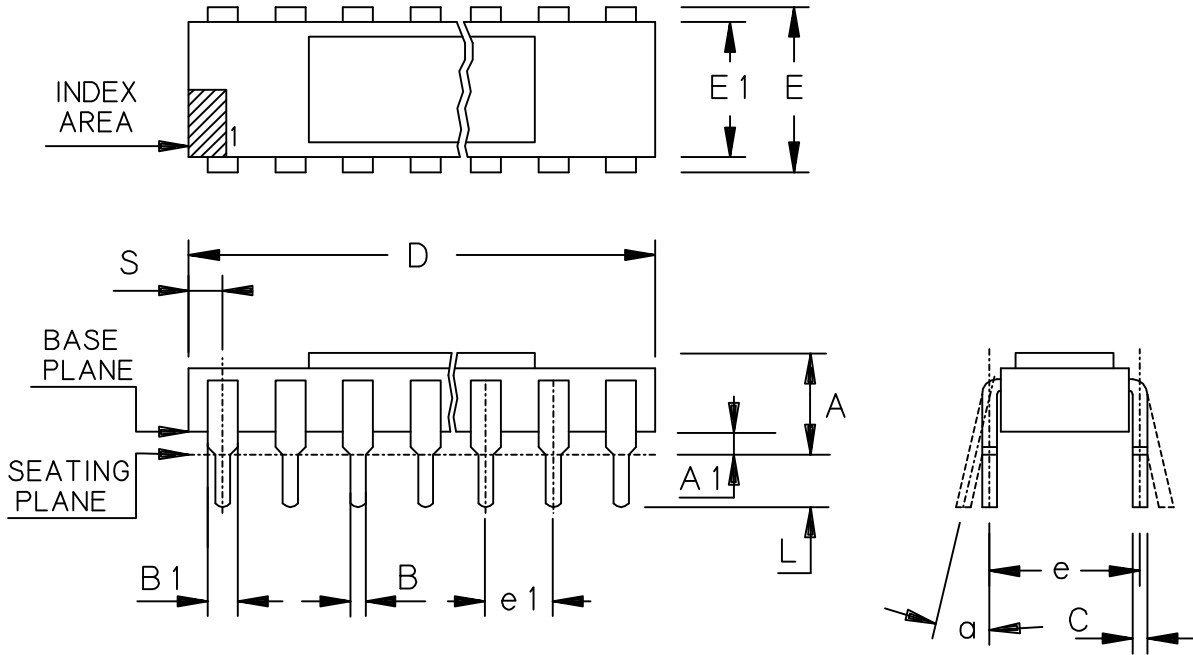
REV : A DATE : 26-11-91

22 LEAD SIDE BRAZE .400



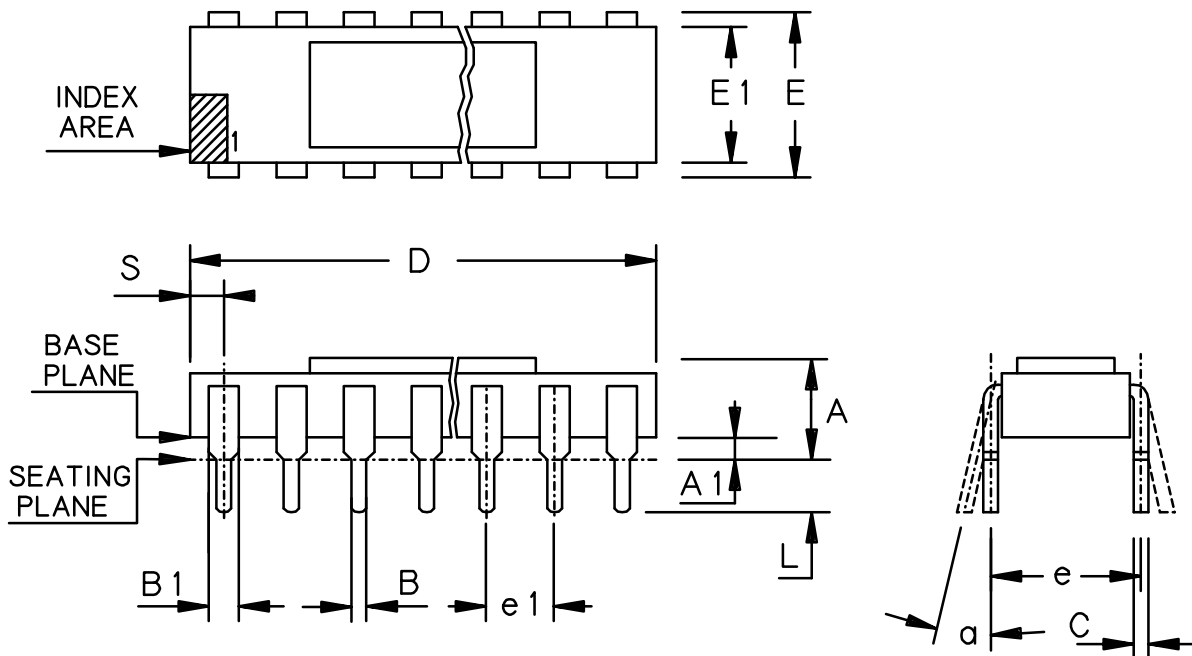
	MM		INCH	
A	2.29	4.44	.090	.175
A1	0.64	1.39	.025	.055
B	0.38	0.58	.015	.023
B1	0.97	1.52	.038	.060
C	0.20	0.30	.008	.012
D	26.42	28.44	1.040	1.120
E	10.04	10.66	.395	.420
E1	9.66	10.41	.380	.410
L	3.18	4.44	.125	.175
S	2.41	2.67	.095	.105
e	10.16	TYP	.400	TYP
e1	2.54	TYP	.100	TYP
a	0°		15°	
PKG STD		02		

22 LEAD SIDE BRAZE .300



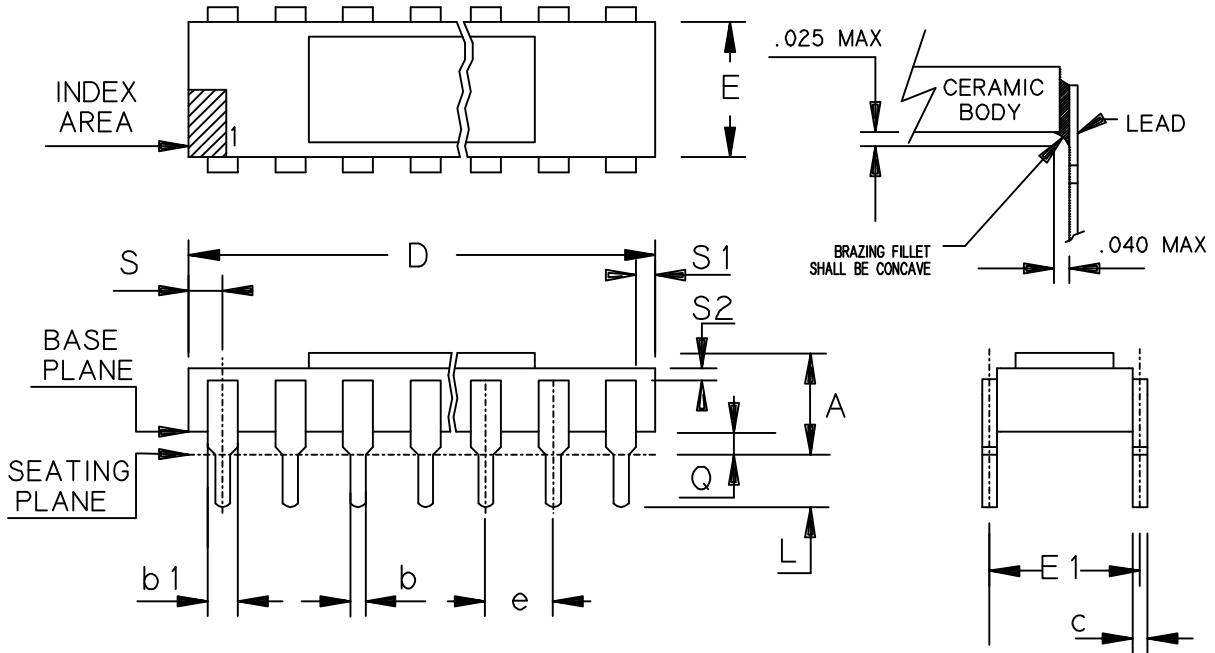
	MM		INCH	
A	2.82	3.94	.111	.155
A1	0.63	1.14	.025	.045
B	0.38	0.53	.015	.021
B1	0.96	1.52	.038	.060
C	0.20	0.30	.008	.012
D	27.43	28.45	1.080	1.120
E	7.49	8.25	.295	.325
E1	7.11	7.87	.280	.310
L	3.18	4.44	.125	.175
S	1.10	2.03	.043	.080
e	7.62	TYP	.300	TYP
e1	2.54	TYP	.100	TYP
a	0°		15°	
PKG STD		00		

24 LEAD SIDE BRAZE .300



	MM		INCH	
A	2.67	4.44	.105	.175
A1	0.64	1.39	.025	.055
B	0.38	0.58	.015	.023
B1	0.97	1.52	.038	.060
C	0.20	0.30	.008	.012
D	30.18	30.78	1.188	1.212
E	7.37	8.25	.290	.325
E1	7.29	8.26	.287	.325
L	3.18	4.44	.125	.175
S	2.11	2.97	.083	.117
e	7.62	TYP	.300	TYP
e1	2.54	TYP	.100	TYP
a	0° - 15°		0° - 15°	
PKG STD		00		

24 LEAD SIDE BRAZE .600



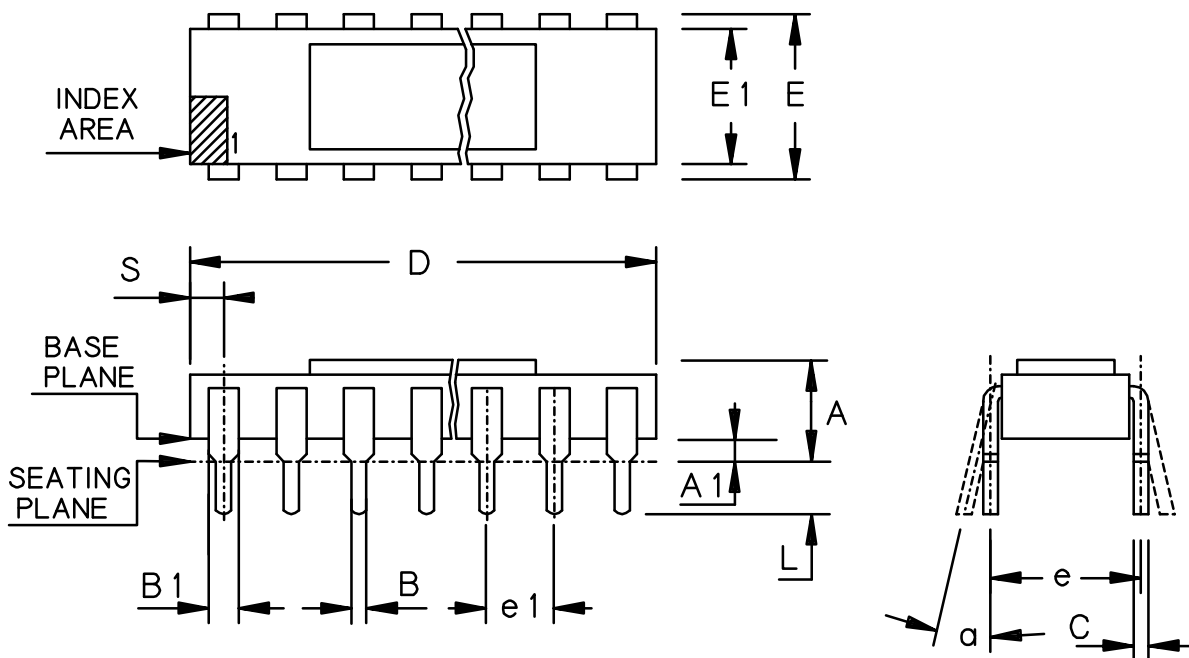
	MM		INCH	
A	2.16	4.83	.085	.190
b	0.38	0.58	.015	.023
b1	0.97	1.52	.038	.060
c	0.20	0.30	.008	.012
D	-	32.77	-	1.290
E	12.70	15.50	.500	.610
E1	14.99	15.75	.590	.620
e	2.54	BSC	.100	BSC
L	3.18	4.44	.125	.175
L1	3.81	-	.150	-
Q	0.51	1.77	.020	.070
S	-	1.65	-	.065
S1	0.13	-	.005	-
S2	0.13	-	.005	-

COMPLIANT MIL 38510-H (D-3)

CODE : C

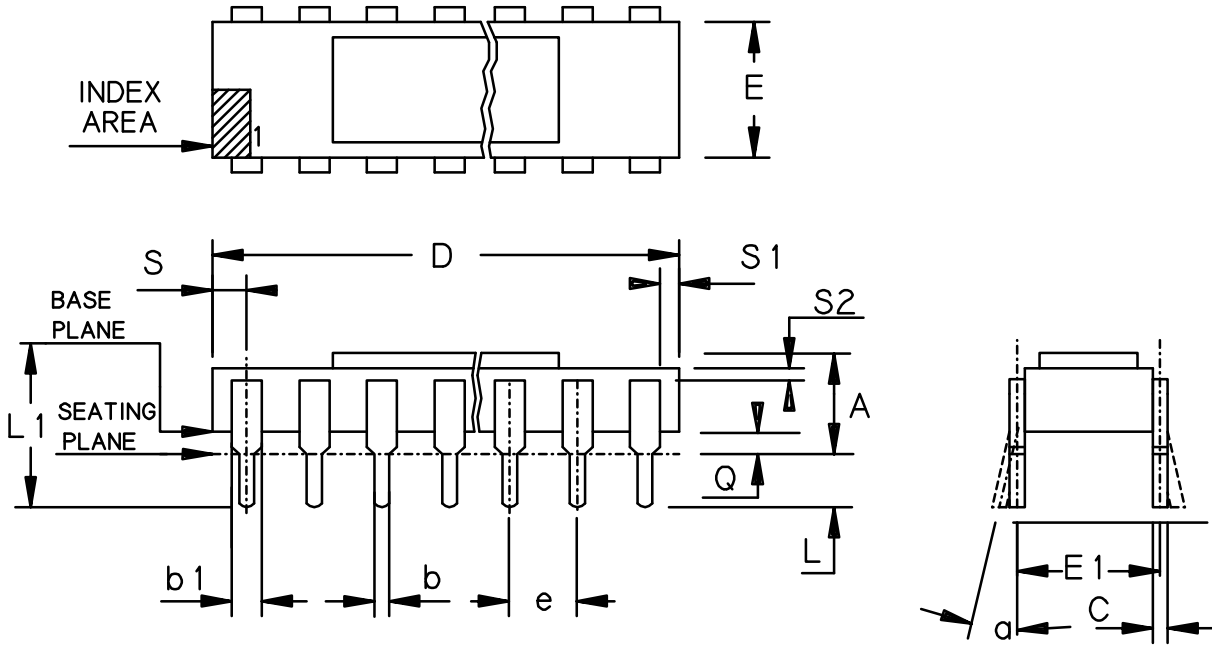
REV : G DATE : 10-02-92

28 LEAD SIDE BRAZE .600



	MM		INCH	
A	2.16	4.83	.085	.190
A1	0.51	1.77	.020	.070
B	0.38	0.58	.015	.023
B1	0.97	1.52	.038	.060
C	0.20	0.30	.008	.012
D	35.05	36.06	1.380	1.420
E	15.12	15.87	.595	.625
E1	14.74	15.49	.580	.610
L	3.18	4.44	.125	.175
S	0.77	1.65	.030	.065
e	15.24	TYP	.600	TYP
e1	2.54	TYP	.100	TYP
a	0° - 15°		0° - 15°	
PKG STD		01		

28 LEAD SIDE BRAZE .300



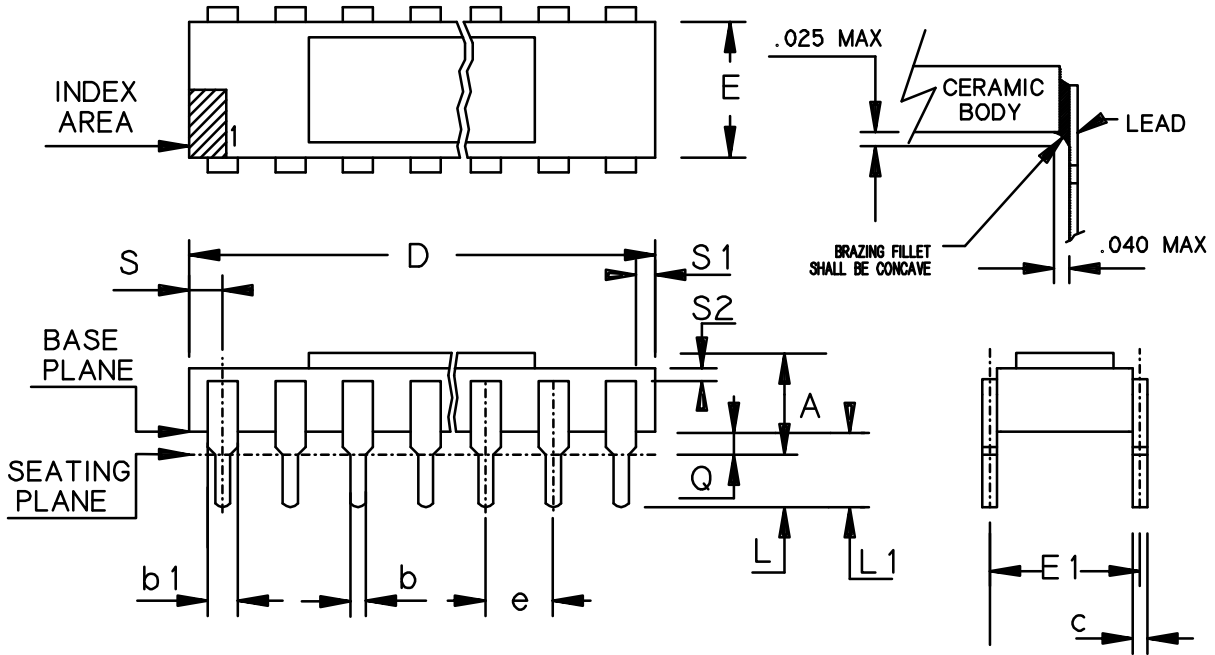
	MM		INCH	
A	3.30	5.84	.130	.230
Q	0.38	2.54	.015	.100
b	0.36	0.58	.014	.023
b1	0.96	1.65	.038	.065
C	0.20	0.38	.008	.015
D	-	37.72	-	1.485
S1	0.13	-	.005	-
E	6.10	7.87	.240	.310
L	2.92	5.08	.115	.200
S	-	2.54	-	.100
E1	7.37	8.13	.290	.320
e	2.54	BSC	.100	BSC
S2	0.13	-	.005	-
a	0° -	15°	0° -	15°
L1	3.30	-	.130	-

COMPLIANT MIL 38510 (D-15)

CODE : CP

REV : E DATE : 14-06-94

32 LEAD SIDE BRAZE .400



PRELIMINARY DRAWING

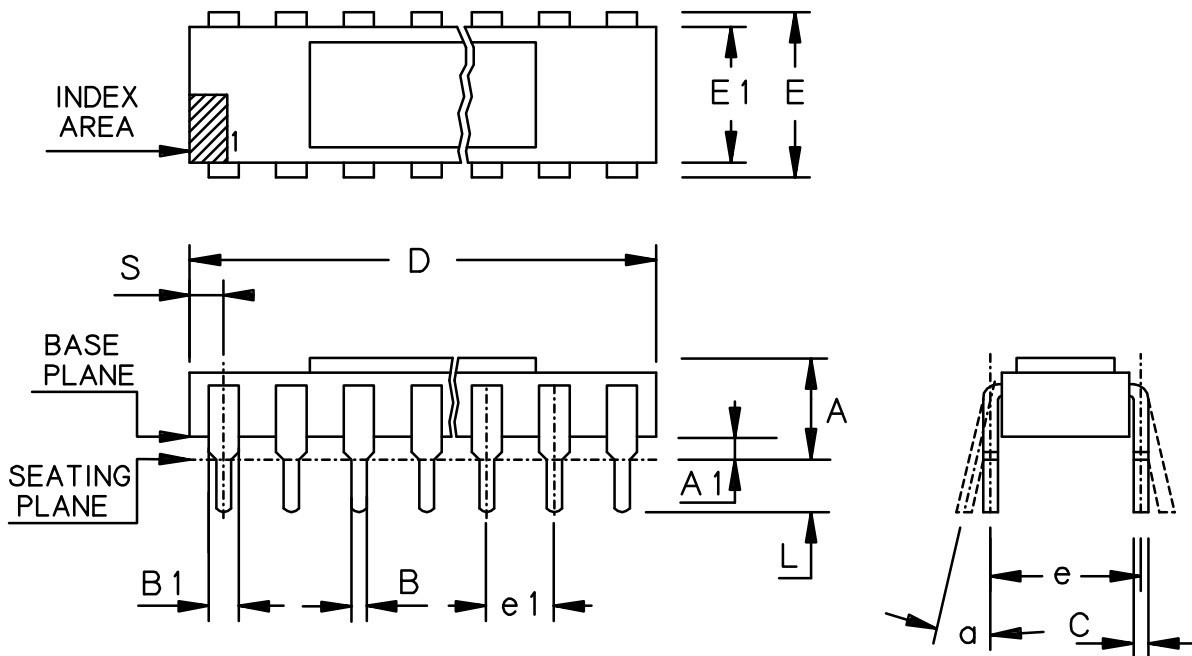
	MM		INCH	
A	3.22	4.30	.013	.170
b	0.40	0.51	.016	.020
b1	1.27 TYP		0.05 TYP	
c	0.23	0.30	.009	.012
D	40.26	41.02	1.585	1.615
E	9.78	10.29	.385	.405
E1	9.90	10.41	.390	.410
e	2.54	BSC	.100	BSC
L	1.66	4.06	.065	.160
L1	3.18	5.08	.125	.200
Q	1.02	1.52	.040	.050
S	-	1.65	-	.065
S1	0.13	-	.005	-
S2	0.13	-	.005	-

DON'T EXIST IN MIL STD 1835

CODE : C9

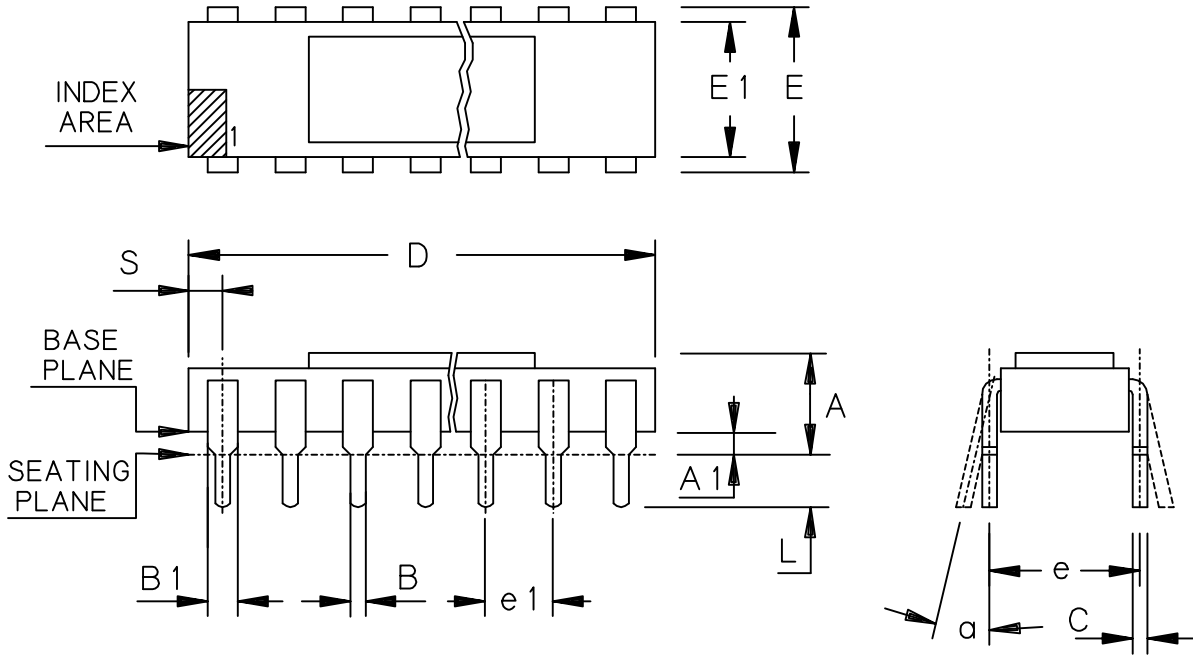
REV :0 DATE : 23-03-93

40 LEAD SIDE BRAZE .600



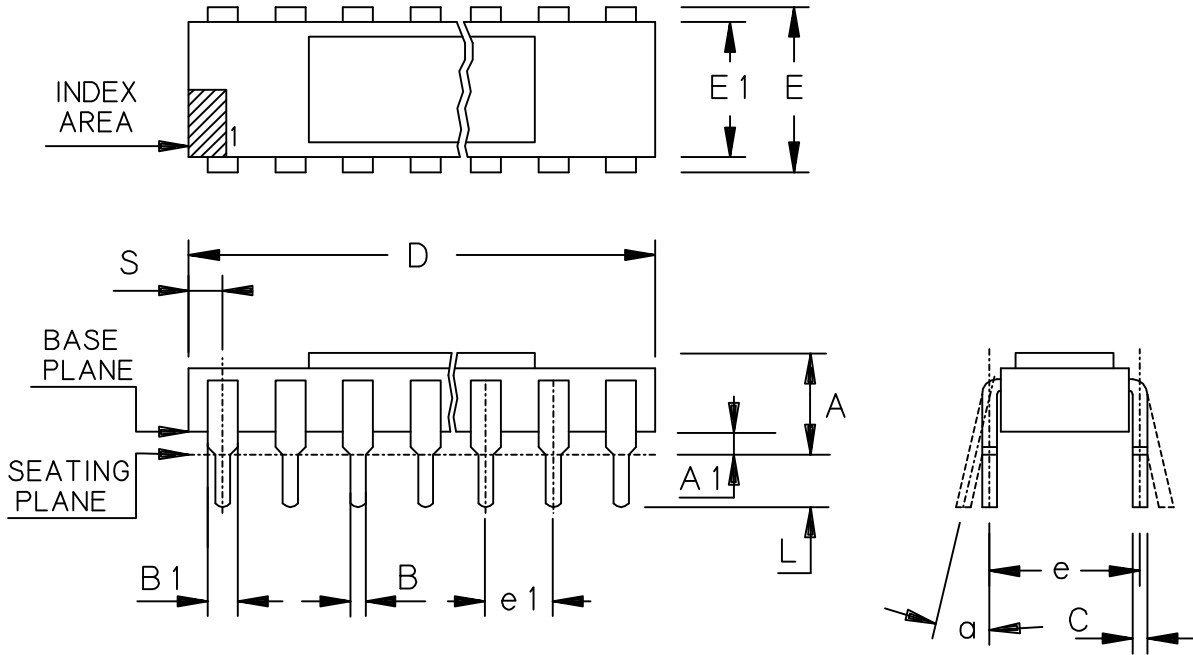
	MM		INCH	
A	2.16	4.83	.085	.190
A1	0.51	1.77	.020	.070
B	0.38	0.58	.015	.023
B1	0.97	1.52	.038	.060
C	0.20	0.30	.008	.012
D	50.30	51.56	1.980	2.030
E	15.12	15.87	.595	.625
E1	14.74	15.49	.580	.610
L	3.18	4.44	.125	.175
S	0.77	1.65	.030	.065
e	15.24	TYP	.600	TYP
e1	2.54	TYP	.100	TYP
a	0°		15°	
PKG STD		01		

48 LEAD SIDE BRAZE .600



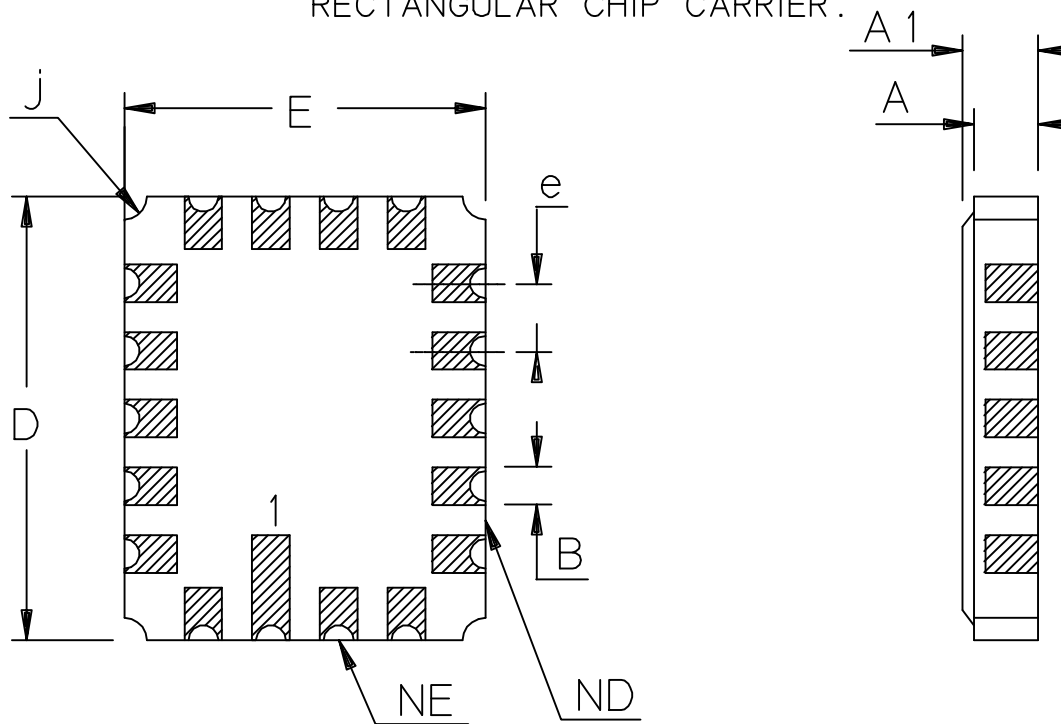
	MM		INCH	
A	2.16	4.83	.085	.190
A1	0.51	1.77	.020	.070
B	0.38	0.58	.015	.023
B1	0.97	1.52	.038	.060
C	0.20	0.30	.008	.012
D	60.32	61.72	2.375	2.430
E	15.12	15.87	.595	.625
E1	14.74	15.49	.580	.610
L	3.18	4.44	.125	.175
S	0.77	1.65	.030	.065
e	15.24	TYP	.600	TYP
e1	2.54	TYP	.100	TYP
a	0°		15°	
PKG STD		00		

64 LEAD SIDE BRAZE .900



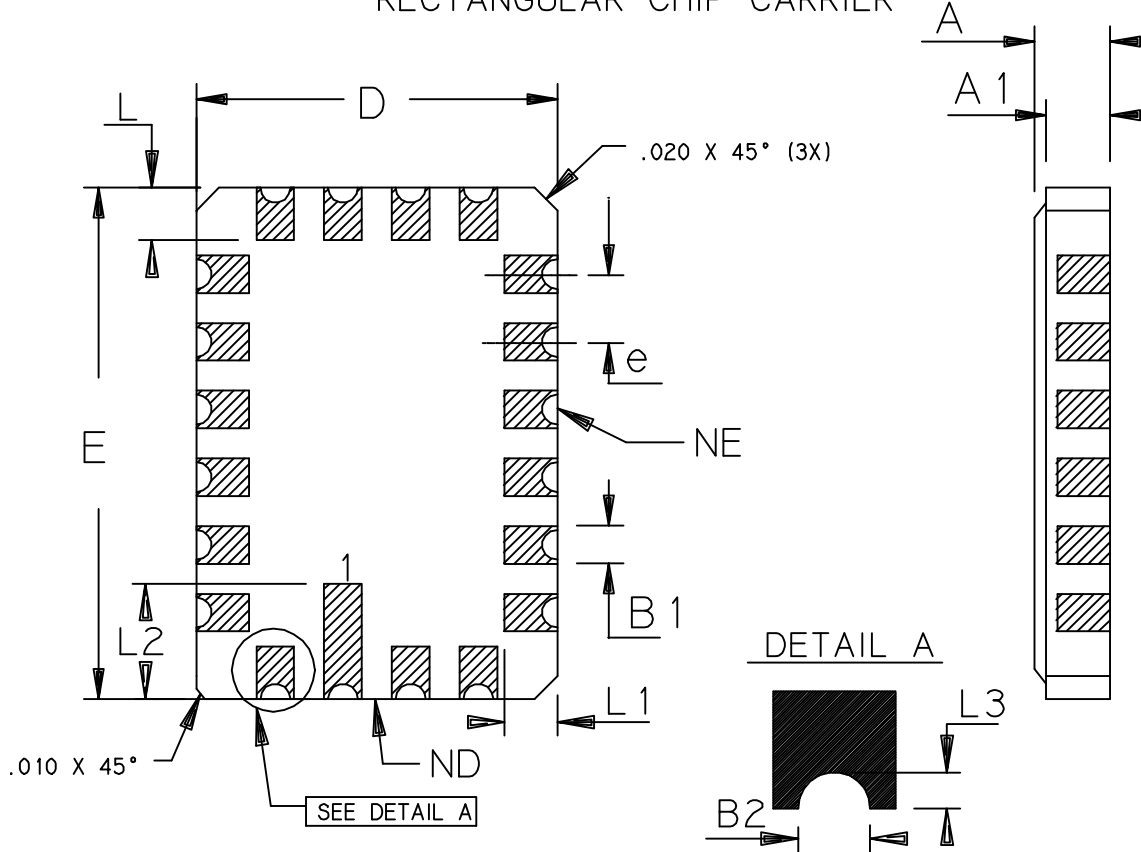
	MM		INCH	
A	3.05	4.32	.120	.170
A1	0.51	1.77	.020	.070
B	0.38	0.53	.015	.021
B1	0.76	1.52	.030	.060
C	0.20	0.30	.008	.012
D	80.26	82.30	3.160	3.240
E	22.86	23.37	.900	.920
E1	22.35	22.86	.880	.900
L	3.05	4.06	.120	.160
S	1.52	3.56	.060	.140
e	22.86	TYP	.900	TYP
e1	2.54	TYP	.100	TYP
a	0°		15°	
PKG STD		00		

18 LDS .050 CENTER LEADLESS
RECTANGULAR CHIP CARRIER.



	MM		INCH	
A	1.14	1.40	.045	.055
A1	1.40	1.98	.055	.078
B	0.635	TYP	.025	TYP
D	8.76	9.14	.345	.360
E	7.11	7.49	.280	.295
e	1.27	BSC	.050	BSC
h				
j	0.30	RAD	.012	RAD
ND	5		5	
NE	4		4	
PKG STD		- 01 -		

20 LDS .050 CENTER LEADLESS
RECTANGULAR CHIP CARRIER



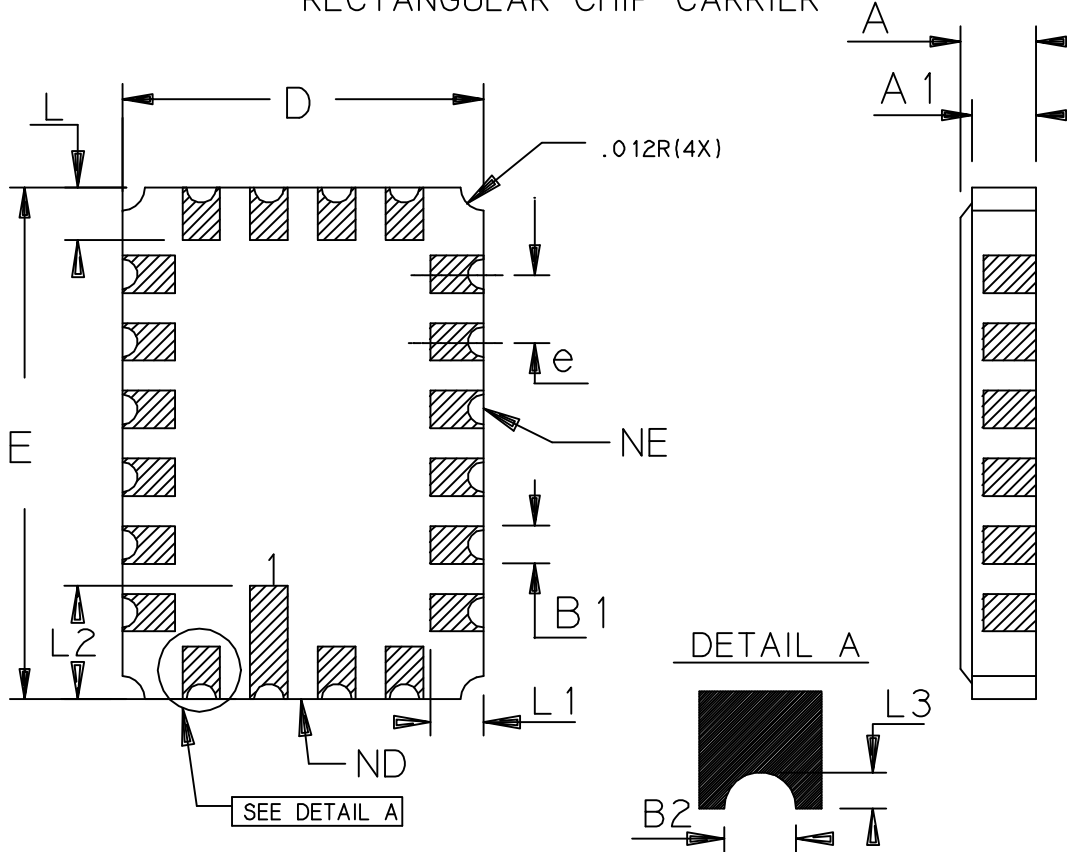
	MM		INCH	
	A	1.52	3.05	.060
A1	1.27	2.23	.050	.088
B1	0.56	0.71	.022	.028
B2	0.15	0.56	.006	.022
D	7.11	7.75	.280	.305
E	10.67	11.18	.420	.440
e	1.27 BSC		.050 BSC	
L1	1.14	1.40	.045	.055
L2	1.14	1.40	.045	.055
L3	0.08	0.38	.003	.015
ND/NE	4/6		4/6	

COMPLIANT MIL STD 1835 (C13)

CODE : 4G

REV : C | DATE : 19-10-92

20 LDS .050 CENTER LEADLESS
RECTANGULAR CHIP CARRIER



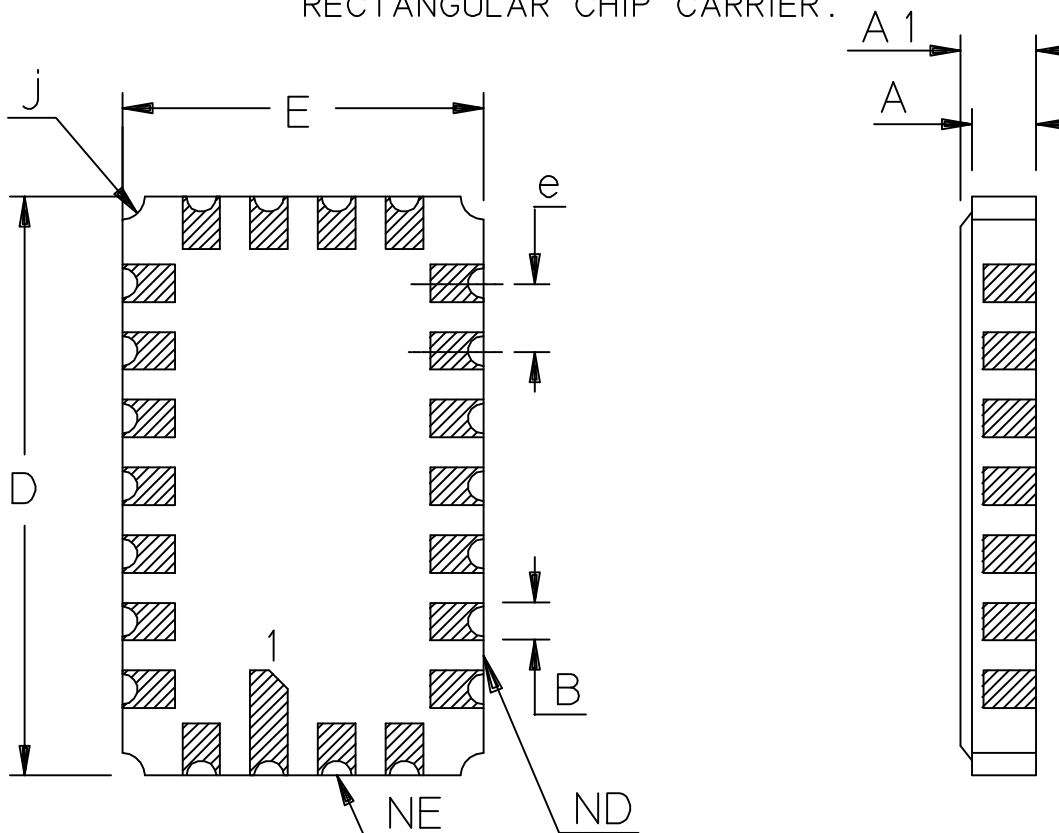
	MM		INCH	
	A	1.52	3.05	.060
A1	1.27	2.23	.050	.088
B1	0.56	0.71	.022	.028
B2	0.15	0.56	.006	.022
D	7.11	7.75	.280	.305
E	10.67	11.18	.420	.440
e	1.27 BSC		.050 BSC	
L1	1.14	1.40	.045	.055
L2	1.14	1.40	.045	.055
L3	0.08	0.38	.003	.015
ND/NE	4/6		4/6	

COMPLIANT MIL STD 1835 (C13)

CODE : 4G

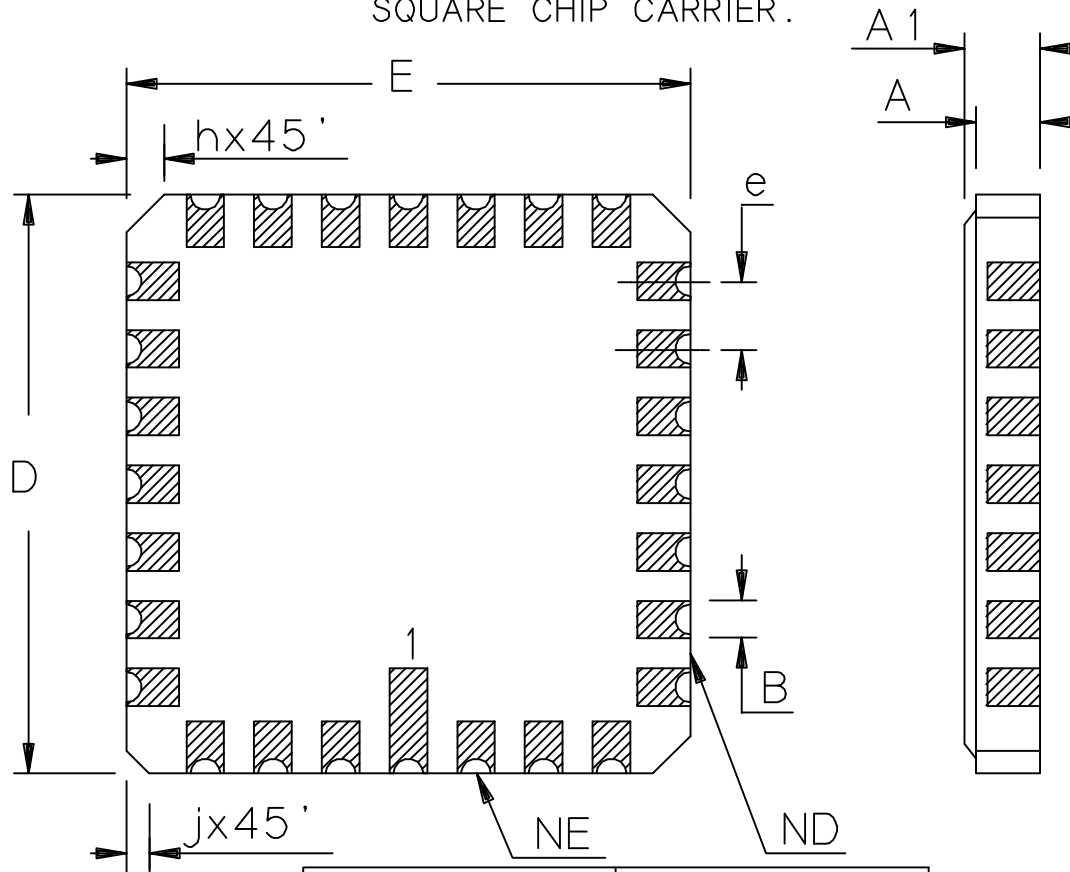
REV : F | DATE : 19-10-92

22 LDS .050 CENTER LEADLESS
RECTANGULAR CHIP CARRIER.



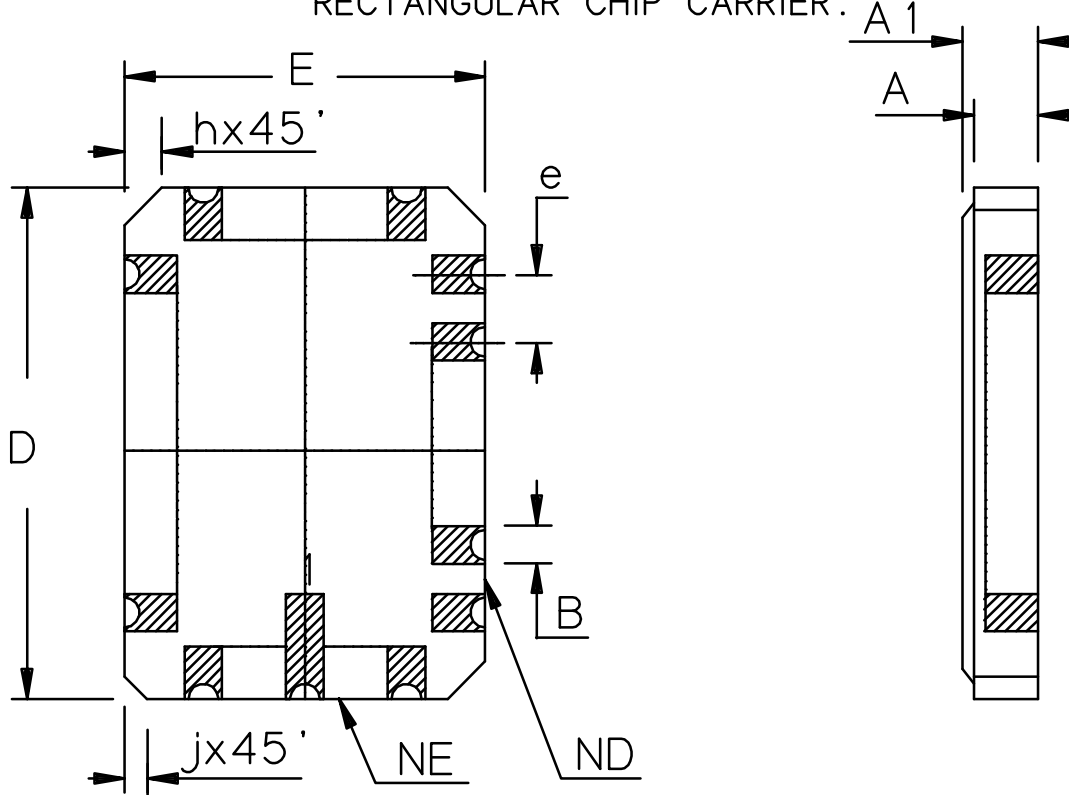
	MM		INCH	
A	1.37	1.67	.054	.066
A1	1.62	1.93	.064	.076
B	0.15	-	.006	-
D	12.31	12.57	.485	.495
E	7.24	7.49	.285	.295
e	1.27	BSC	.050	BSC
h				
j	0.30	RAD	.012	RAD
ND	7		7	
NE	4		4	
PKG STD	- 00 -			

28 LDS .050 CENTER LEADLESS
SQUARE CHIP CARRIER.



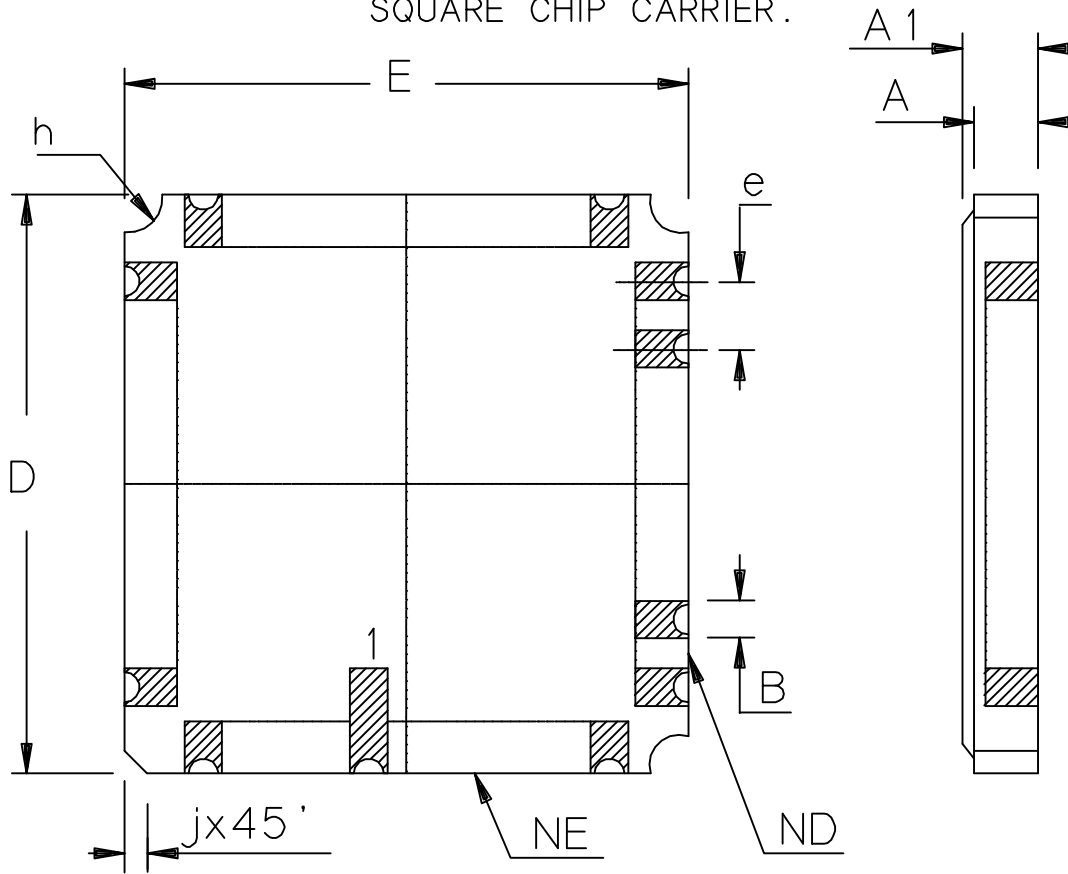
	MM		INCH	
A	1.35	1.70	.053	.067
A1	1.60	2.03	.063	.080
B	0.635 TYP		.025 TYP	
D	11.30	11.68	.445	.460
E	11.30	11.68	.445	.460
e	1.27	BSC	.050	BSC
h	1.02		.040	
j	0.51		.020	
ND	7		7	
NE	7		7	
PKG STD		- 01 -		

28 LDS .050 CENTER LEADLESS
RECTANGULAR CHIP CARRIER.



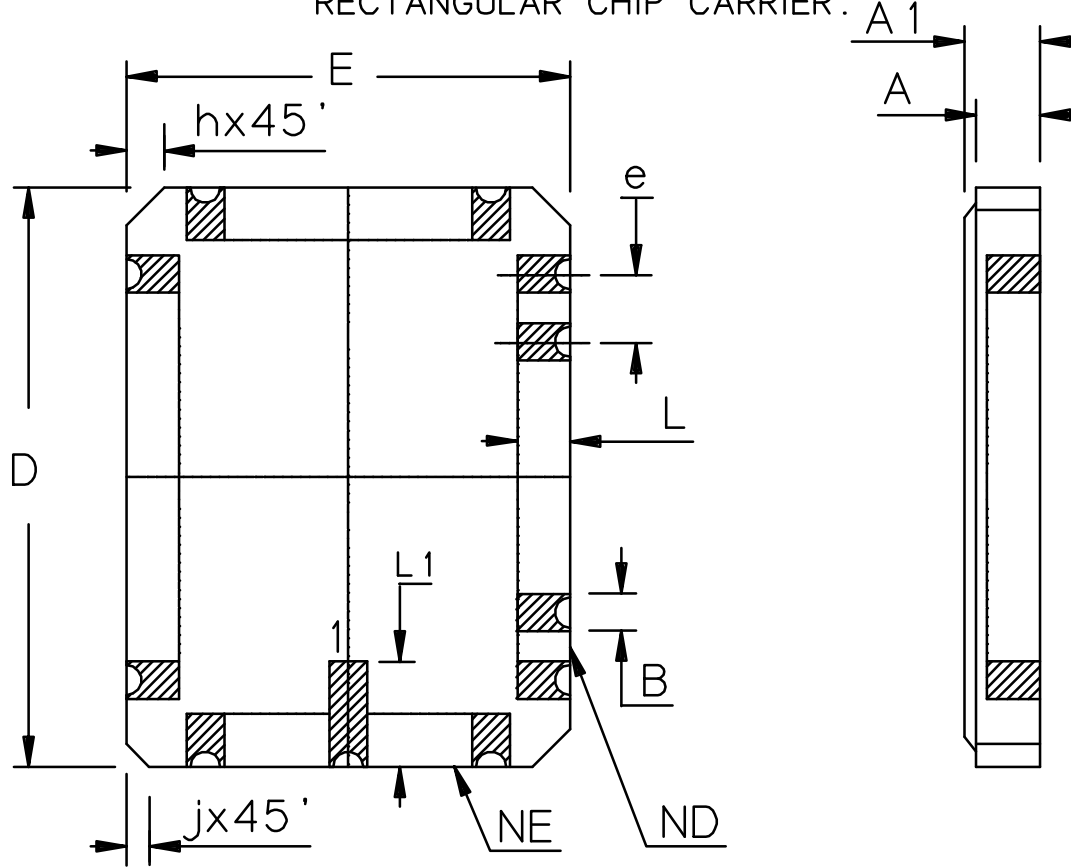
	MM		INCH	
A	1.37	1.65	.054	.065
A1	1.62	2.00	.064	.079
B	0.56	0.71	.022	.028
D	13.81	14.22	.544	.560
E	8.74	9.14	.344	.360
e	1.27	BSC	.050	BSC
h	0.64	REF	.025	REF
j	0.38	REF	.015	REF
ND	9		9	
NE	5		5	

32 LDS .040 CENTER LEADLESS
SQUARE CHIP CARRIER.



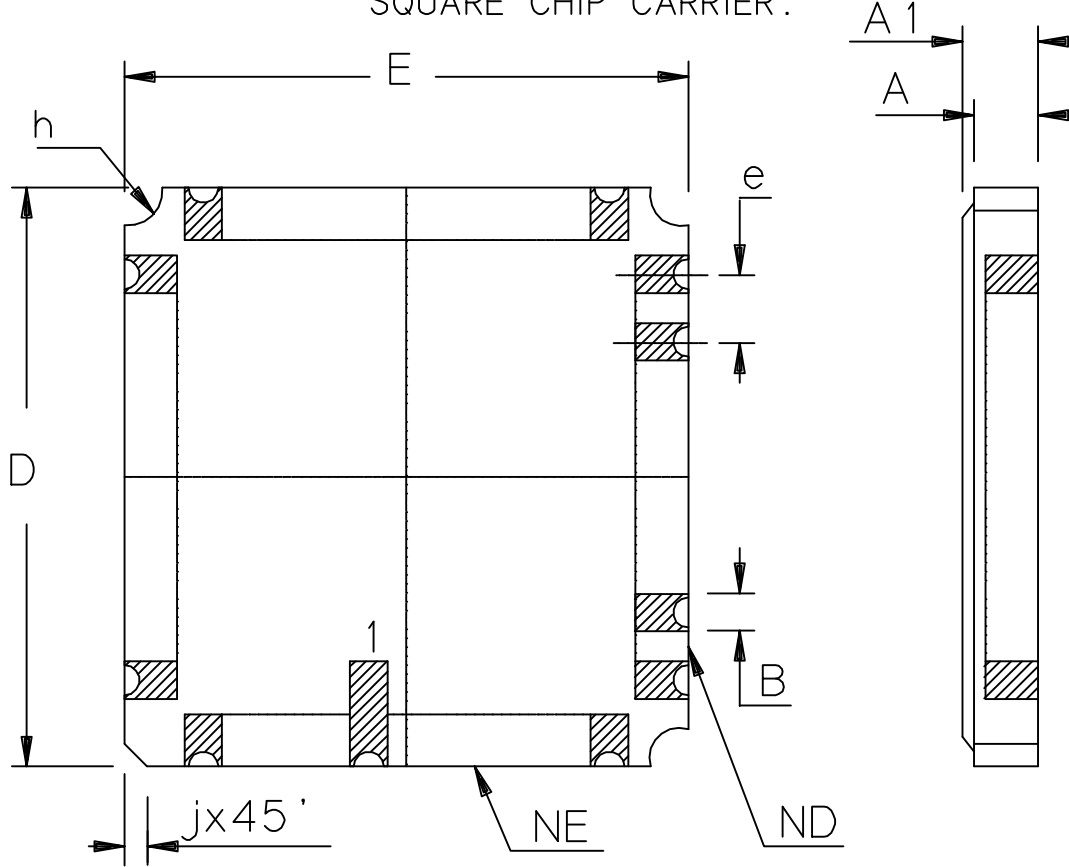
	MM		INCH	
A	1.47	1.83	.058	.072
A1	1.60	2.03	.063	.080
B	0.51	TYP	.020	TYP
D	10.54	10.92	.415	.430
E	10.54	10.92	.415	.430
e	1.02	BSC	.040	BSC
h	0.19	RAD	.008	RAD
j	0.51		.020	
ND	8		8	
NE	8		8	
PKG STD		- 01 -		

32 LDS .050 CENTER LEADLESS
RECTANGULAR CHIP CARRIER.



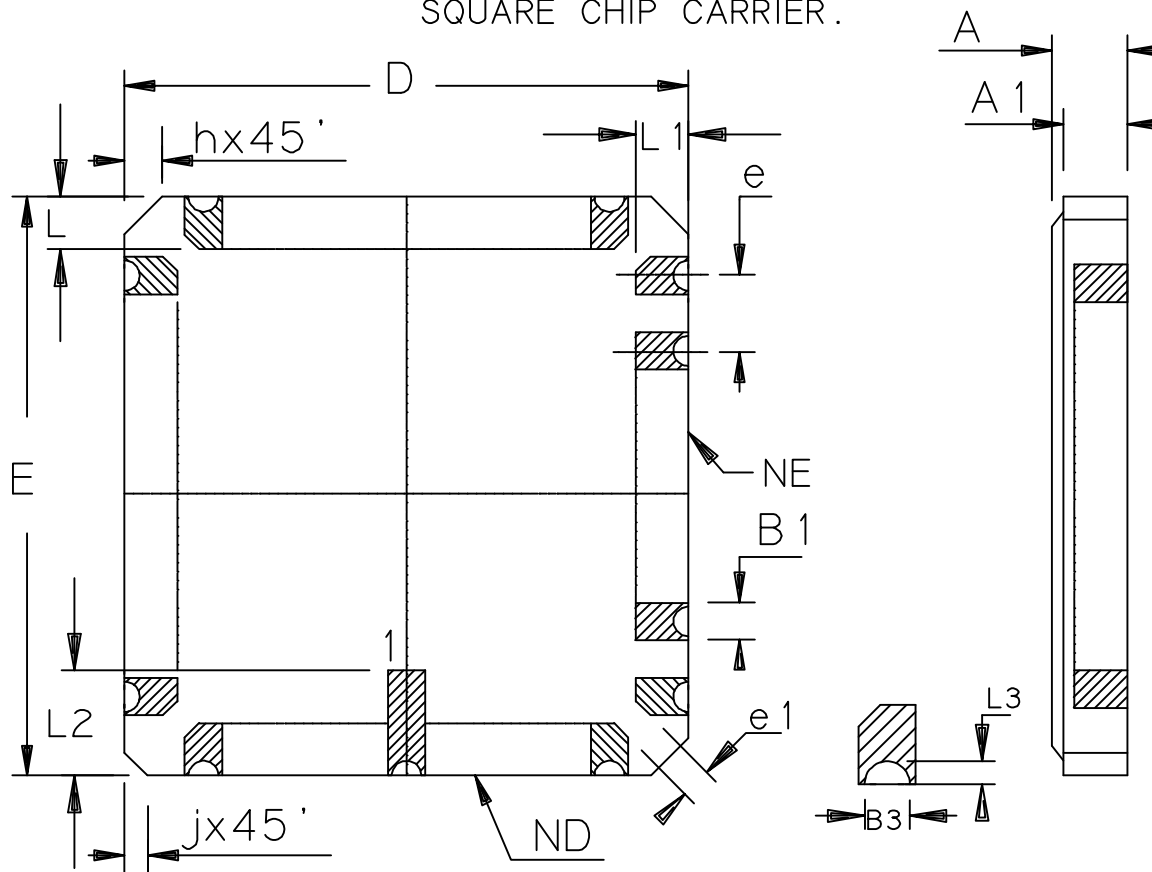
	MM		INCH	
	A	1.37	1.93	.054
A1	1.62	2.23	.064	.088
B	0.635	TYP	.025	TYP
D	13.81	14.22	.544	.560
E	11.30	11.63	.445	.458
e	1.27	BSC	.050	BSC
h	1.016	REF	.040	REF
j	0.51	REF	.020	REF
L	1.14	1.4	.045	.055
L1	1.95	2.36	.077	.093
ND	9		9	
NE	7		7	
PKG STD	- 01 -			

40 LDS .040 CENTER LEADLESS
SQUARE CHIP CARRIER.



	MM		INCH	
	A	1.47	1.80	.058
A1	1.85	2.26	.073	.089
B	0.51	TYP	.020	TYP
D	12.06	12.50	.475	.492
E	12.06	12.50	.475	.492
e	1.02	BSC	.040	BSC
h	0.19	RAD	.008	RAD
j	0.51		.020	
ND	10		10	
NE	10		10	
PKG STD		- 01 -		

44 LDS .050 CENTER LEADLESS SQUARE CHIP CARRIER.



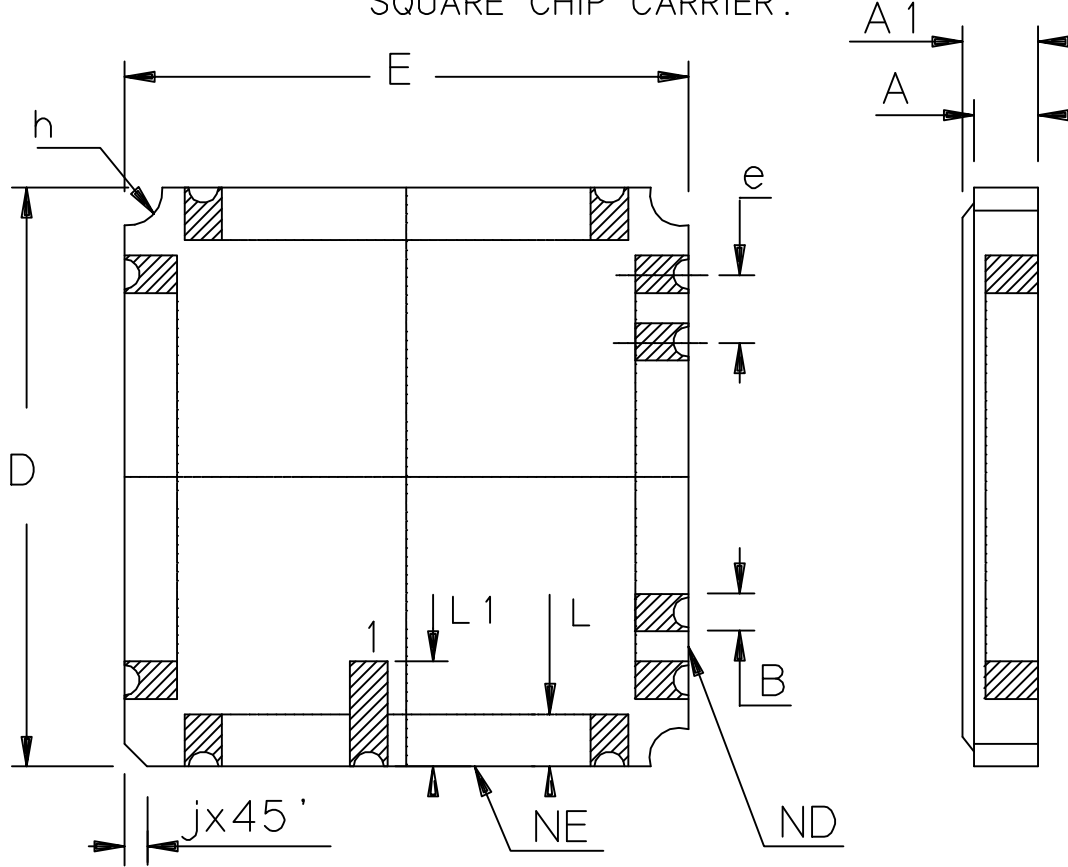
	MM		INCH	
	A	1.63	3.05	.064
A1	1.37	2.23	.054	.088
B1	0.56	0.71	.022	.028
B3	0.15	0.56	.006	.022
D/E	16.25	16.82	.640	.662
e	1.27 BSC		.050 BSC	
e1	0.38	-	.015	-
h	1.02 REF		.040 REF	
j	0.51 REF		.020 REF	
L/L1	1.14	1.40	.045	.055
L2	1.90	2.41	.075	.095
L3	0.08	0.38	.003	.015
ND/NE	11/11		11/11	

COMPLIANT MIL STD 1835 (C-5)

CODE : 4L

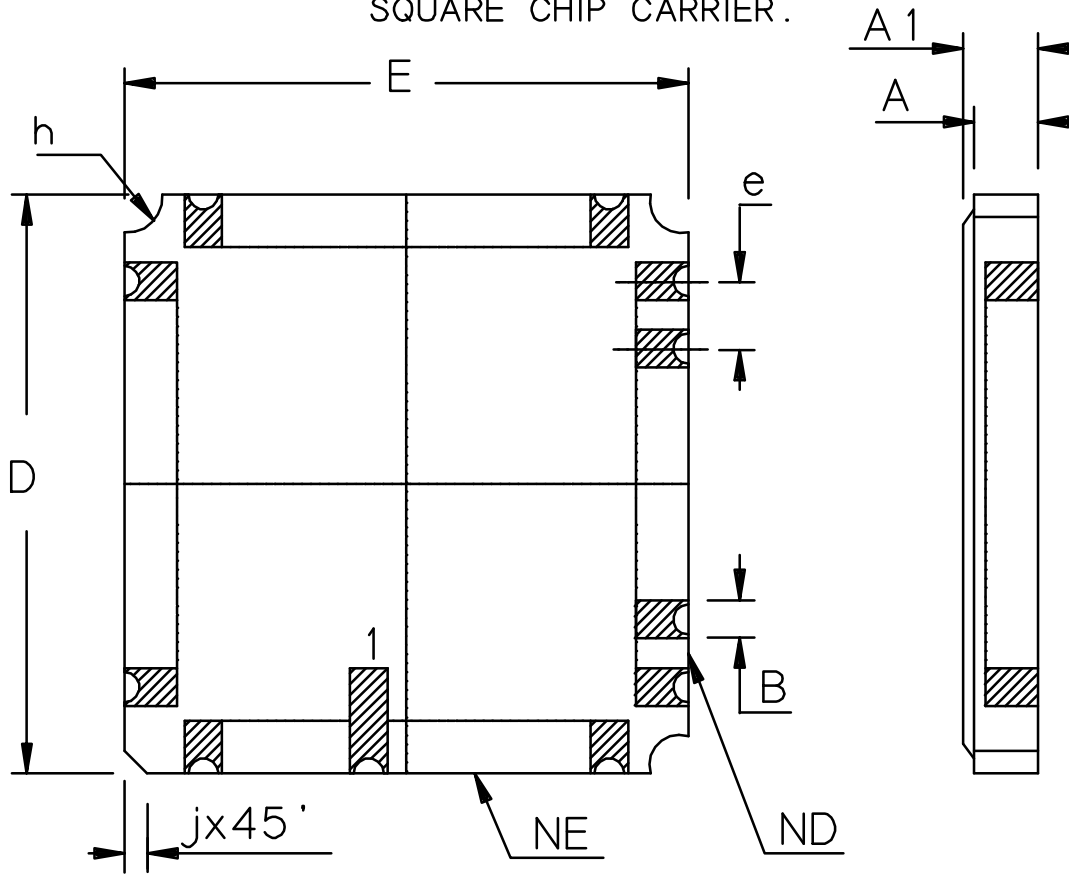
REV : D DATE : 02-11-92

48 LDS .040 CENTER LEADLESS
SQUARE CHIP CARRIER.



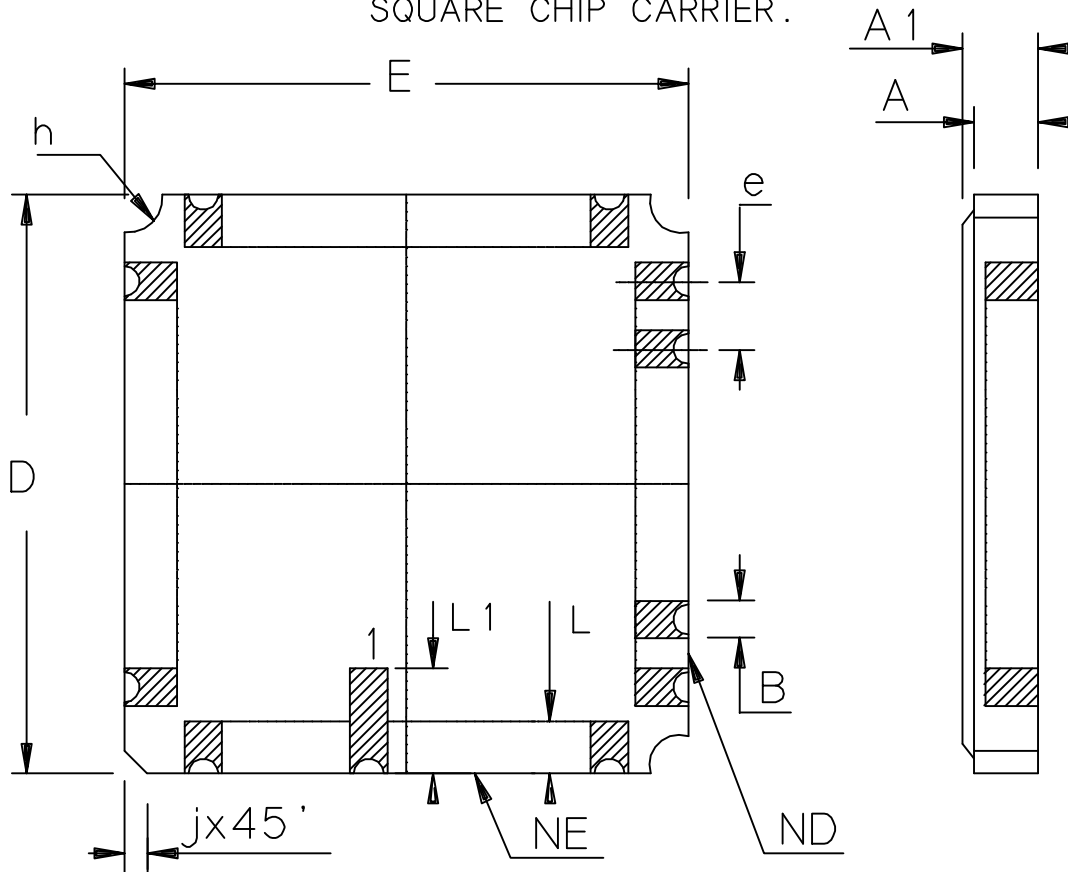
	MM		INCH	
A	1.70	2.11	.067	.083
A1	1.96	2.36	.077	.093
B	0.43	0.58	.017	.023
D	14.09	14.53	.555	.572
E	14.09	14.53	.555	.572
L	0.84	1.19	.033	.047
L1	1.91	2.41	.075	.095
e	1.02	BSC	.040	BSC
h	0.19	RAD	.008	RAD
j	0.50		.020	
ND	12		12	
NE	12		12	
PKG STD		- 01 -		

48 LDS .040 CENTER LEADLESS
SQUARE CHIP CARRIER.



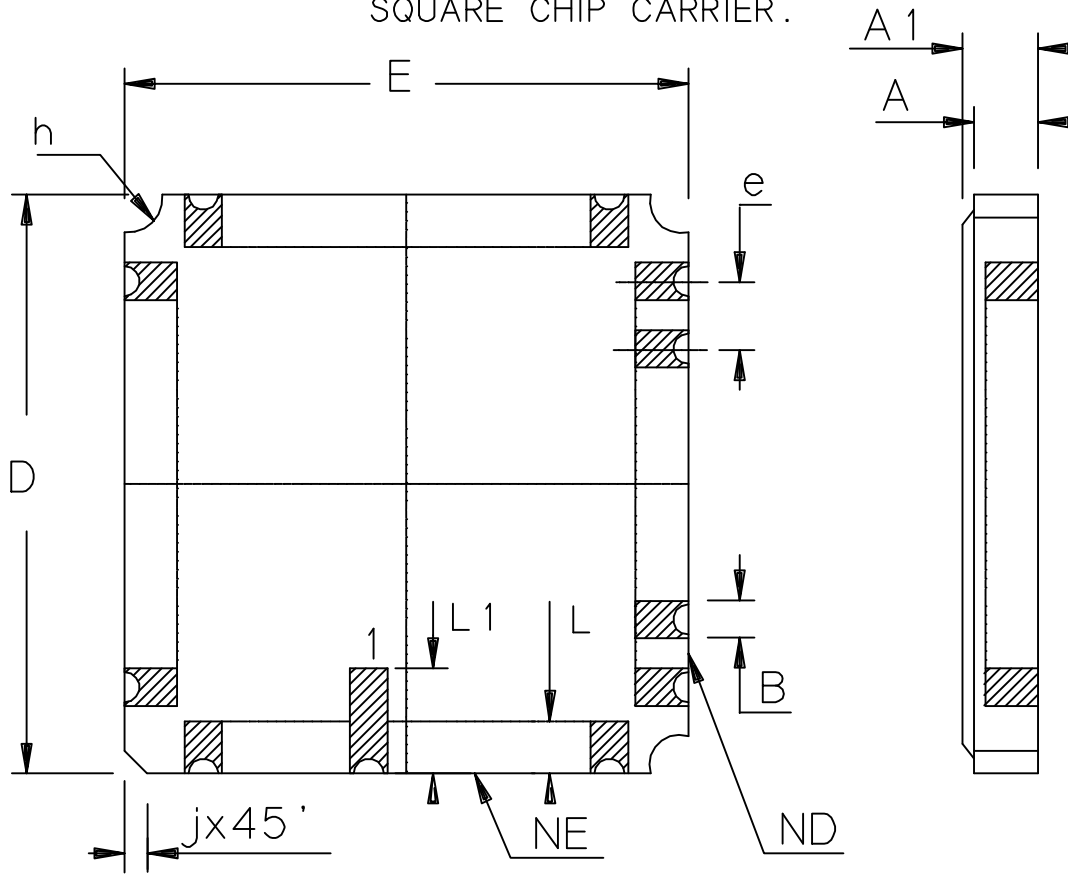
	MM		INCH	
	A	1.47	1.83	.058
A1	1.73	2.26	.068	.089
B	0.43	0.58	.017	.023
D	14.10	14.53	.555	.572
E	14.10	14.53	.555	.572
e	1.02	BSC	.040	BSC
h	0.19	RAD	.008	RAD
j	0.71		.028	
ND	12		12	
NE	12		12	
PKG STD		- 01 -		

64 LDS .040 CENTER LEADLESS
SQUARE CHIP CARRIER.



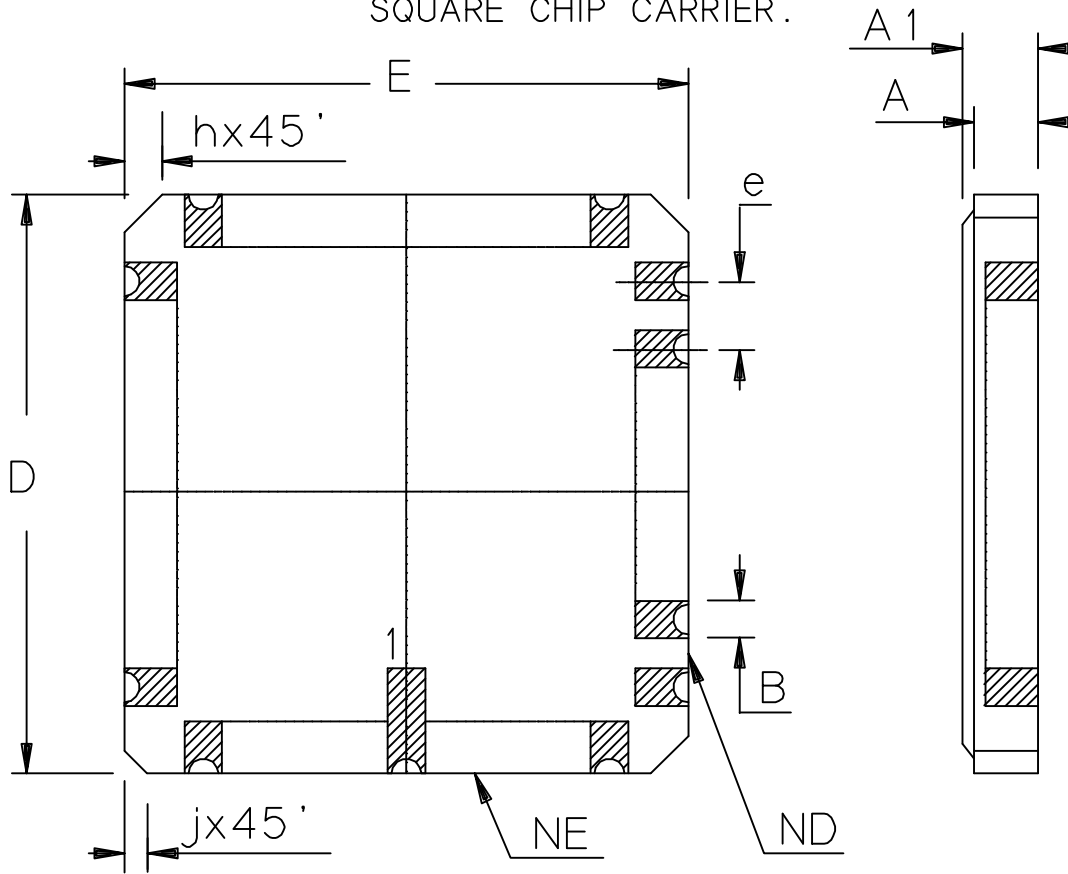
	MM		INCH	
A	1.22	1.52	.048	.060
A1	1.31	1.86	.054	.074
B	0.48	0.64	.019	.025
D	18.09	18.62	.712	.733
E	18.09	18.62	.712	.733
L	0.84	1.19	.033	.047
L1	1.91	2.41	.075	.095
e	1.02	BSC	.040	BSC
h	0.19	RAD	.008	RAD
j	0.71		.028	
ND	16		16	
NE	16		16	
PKG STD		- 01 -		

64 LDS .040 CENTER LEADLESS
SQUARE CHIP CARRIER.



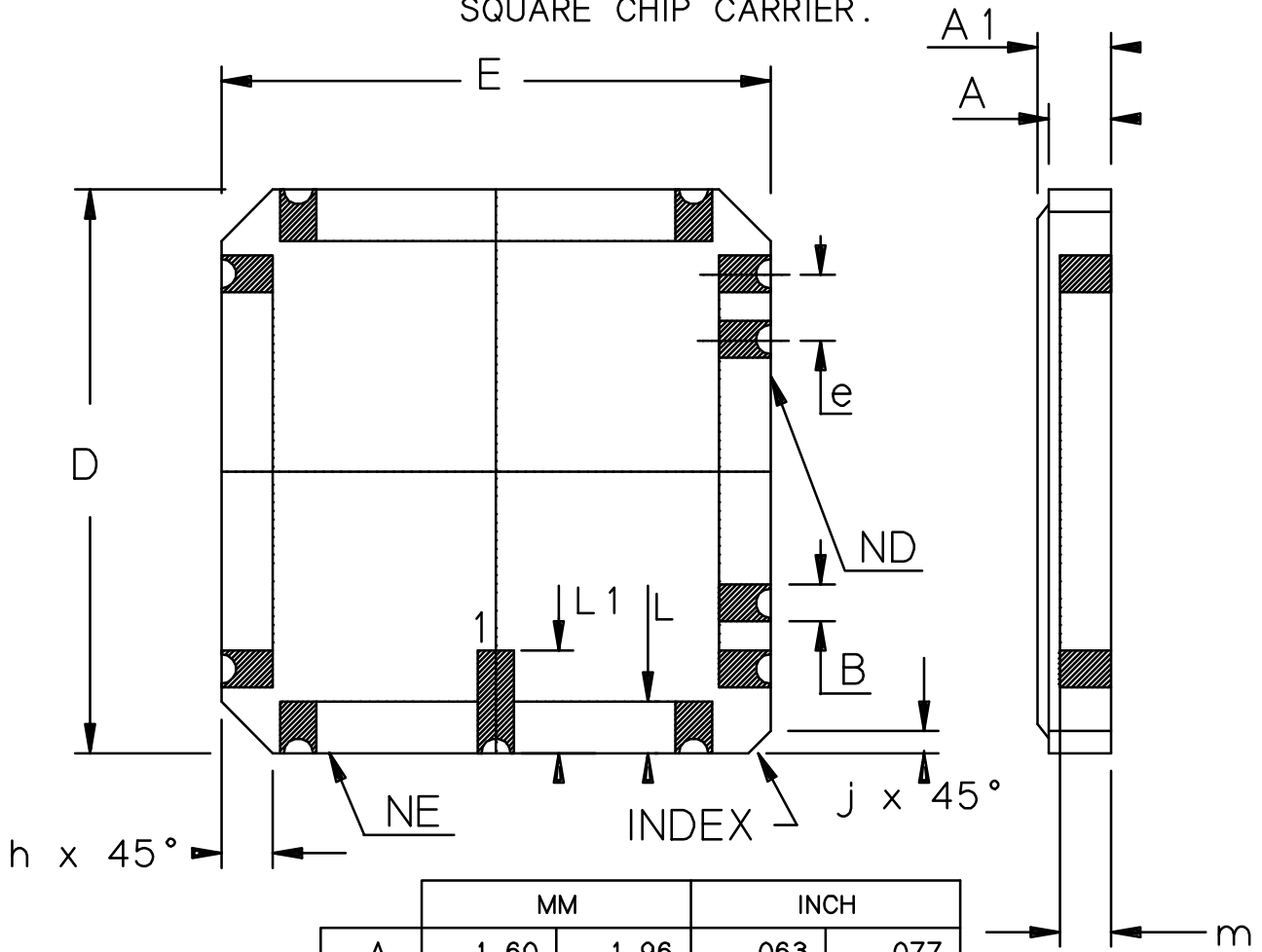
	MM		INCH	
A	1.47	1.83	.058	.072
A1	1.73	2.26	.068	.089
B	0.43	0.58	.017	.023
D	18.08	18.62	.712	.733
E	18.08	18.62	.712	.733
L	0.84	1.20	.033	.047
L1	1.91	2.41	.075	.095
e	1.02	BSC	.040	BSC
h	0.19	RAD	.008	RAD
j	0.51		.020	
ND	16		16	
NE	16		16	
PKG STD		- 01 -		

68 LDS .050 CENTER LEADLESS
SQUARE CHIP CARRIER.



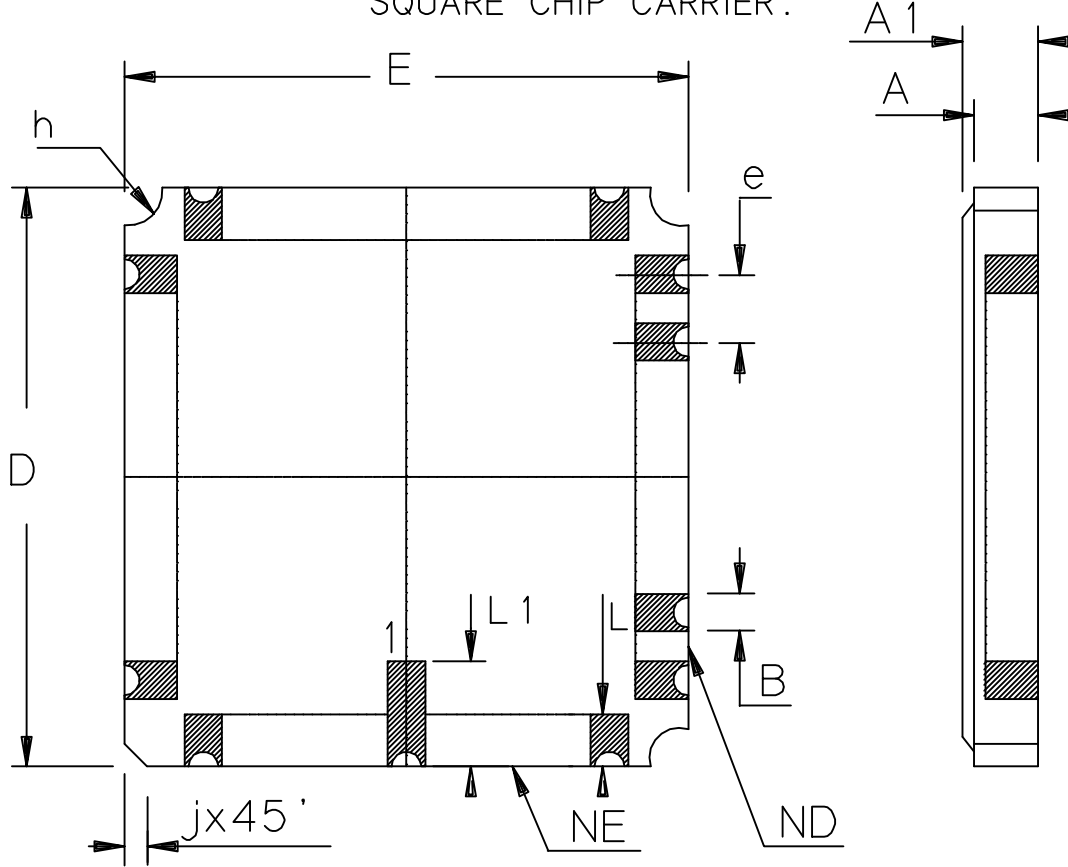
	MM		INCH	
A	1.83	2.24	.072	.088
A1	2.08	2.64	.082	.104
B	0.635	TYP	.025	TYP
D	23.88	24.51	.940	.965
E	23.88	24.51	.940	.965
e	1.27	BSC	.050	BSC
h	1.02		.040	
j	0.51		.020	
ND	17		17	
NE	17		17	
PKG STD		- 01 -		

68 LDS .025 CENTER LEADLESS SQUARE CHIP CARRIER.



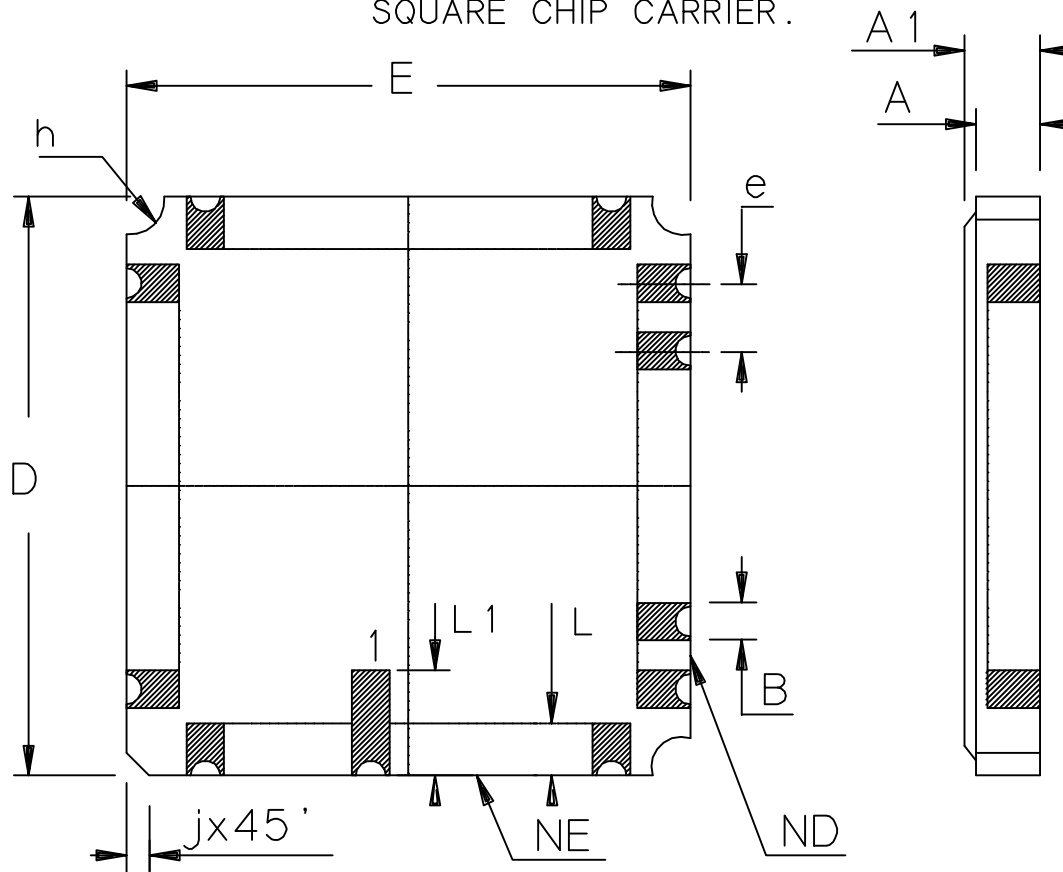
	MM		INCH	
A	1.60	1.96	.063	.077
A1	1.85	2.26	.073	.079
B	0.05	----	.020	----
D	14.07	14.37	.554	.566
E	14.07	14.37	.554	.566
j	0.51		.020	
h	1.02		.040	
L	1.14	1.40	.045	.055
L1	1.96	2.36	.077	.093
e	0.635	BSC	.025	BSC
m	1.14	1.40	.045	.055
ND	17		17	
NE	17		17	
PKG STD		- 01 -		

84 LDS .040 CENTER LEADLESS SQUARE CHIP CARRIER.



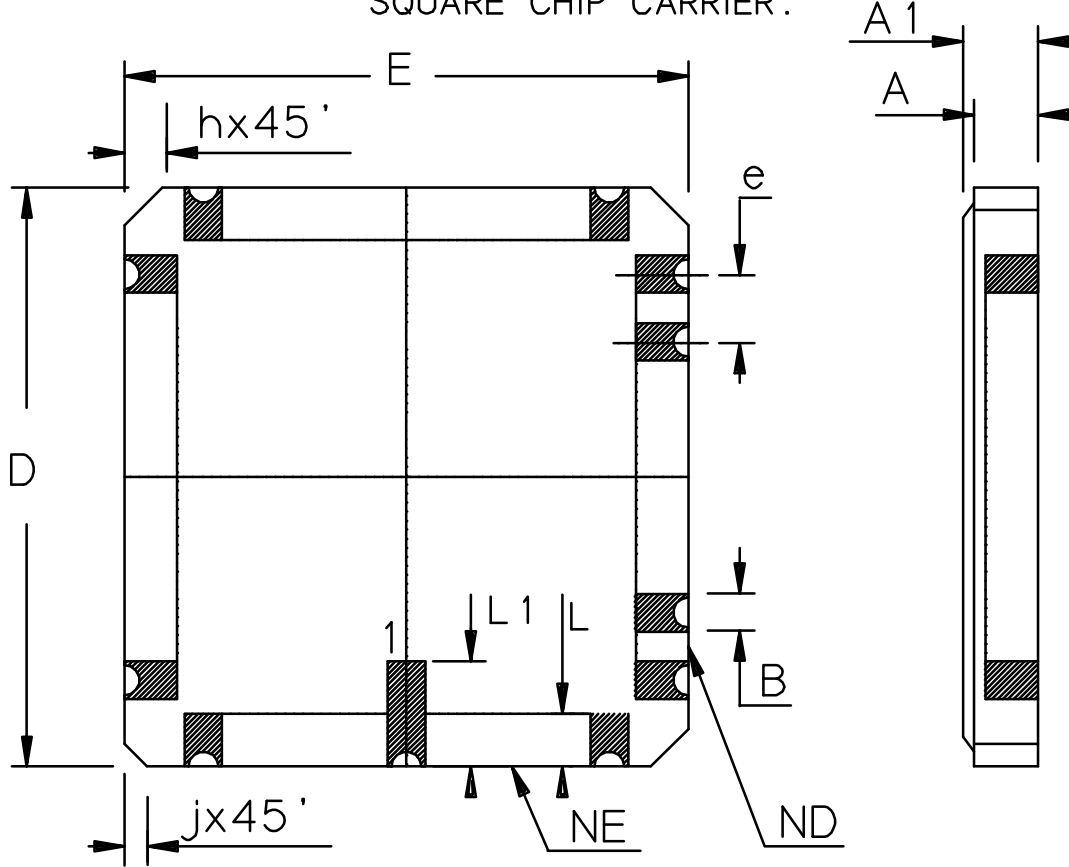
	MM		INCH	
	A	1.47	1.83	.058
A1	1.88	2.29	.074	.090
B	0.43	0.58	.017	.023
D	23.14	23.75	.911	.935
E	23.14	23.75	.911	.935
L	0.84	1.19	.033	.047
L1	1.90	2.41	.075	.095
e	1.02	BSC	.040	BSC
h	0.19	RAD	.008	RAD
j	0.51		.020	
ND	21		21	
NE	21		21	
PKG STD	- 01 -			

84 LDS .040 CENTER LEADLESS SQUARE CHIP CARRIER.



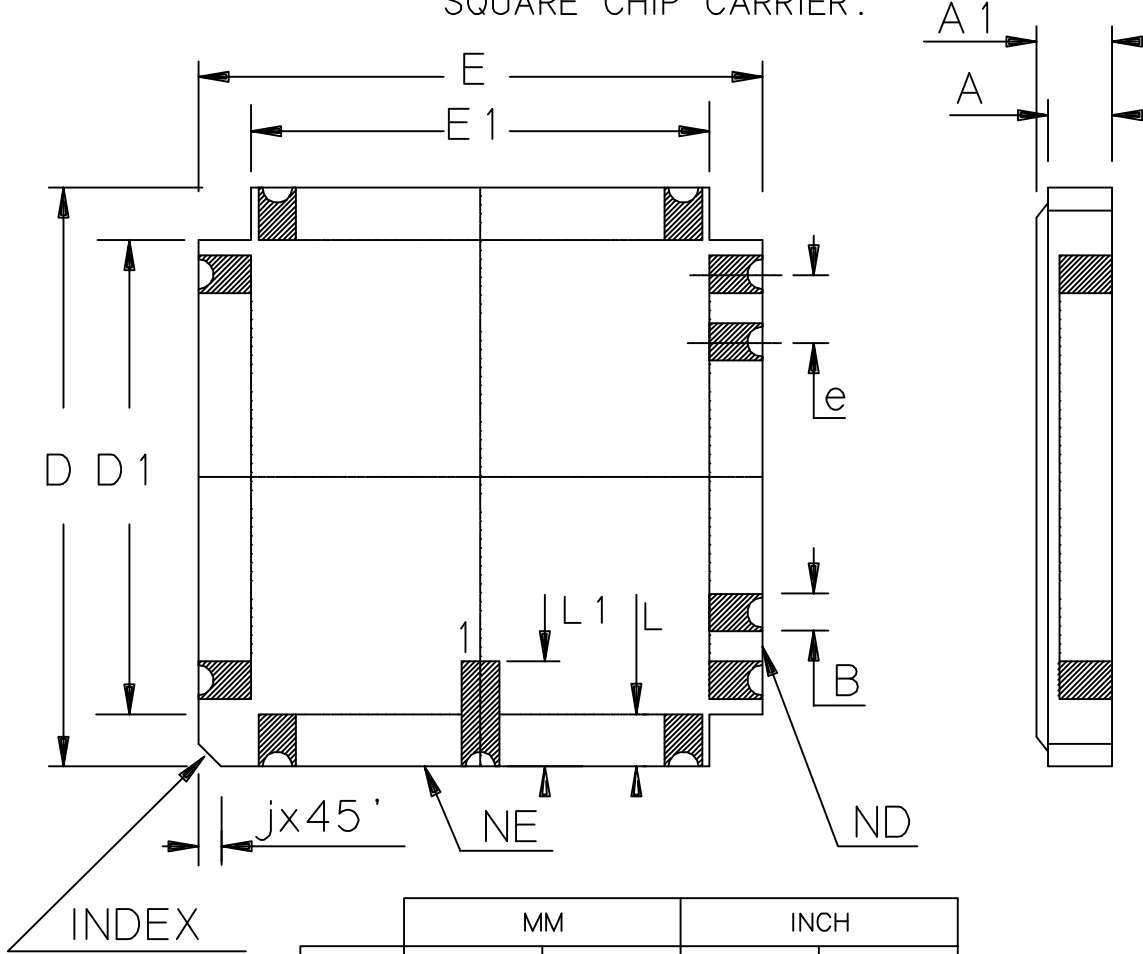
	MM		INCH	
A	1.60	1.96	.063	.077
A1	1.85	2.36	.073	.093
B	0.48	0.64	.019	.025
D	23.14	23.75	.911	.935
E	23.14	23.75	.911	.935
L	0.84	1.19	.033	.047
L1	1.78	2.29	.070	.090
e	1.02	BSC	.040	BSC
h	0.19	RAD	.008	RAD
j	0.51		.020	
ND	21		21	
NE	21		21	
PKG STD	- 01 -			

84 LDS .050 CENTER LEADLESS
SQUARE CHIP CARRIER.



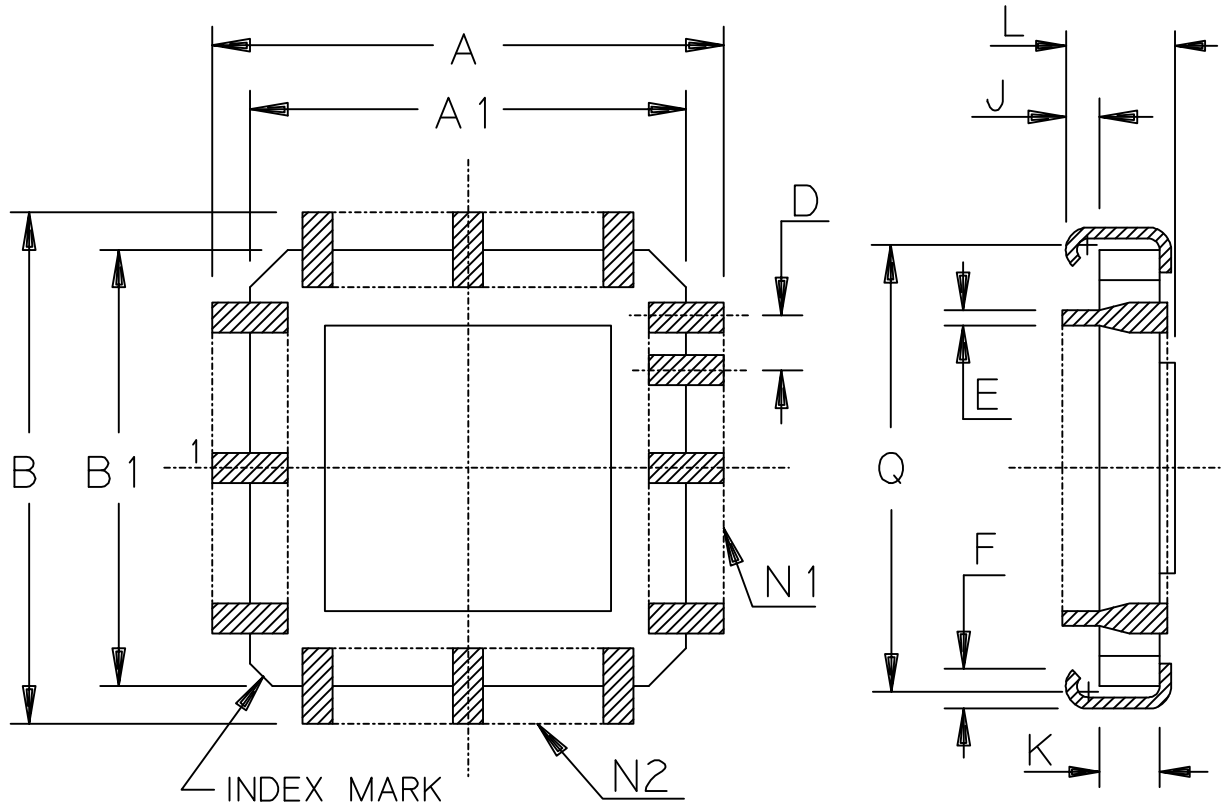
	MM		INCH	
	A	1.83	2.23	.072
A1	2.23	2.64	.088	.104
B	0.84	0.99	.033	.039
D	28.90	29.59	1.138	1.165
E	28.90	29.59	1.138	1.165
L	1.14	1.40	0.045	0.055
L1	2.20	2.72	0.087	0.107
e	1.27	BSC	.050	BSC
h	1.02		.040	
j	0.51		.020	
ND	21		21	
NE	21		21	
PKG STD	- 01 -			

100 LDS .050 CENTER LEADLESS
SQUARE CHIP CARRIER.



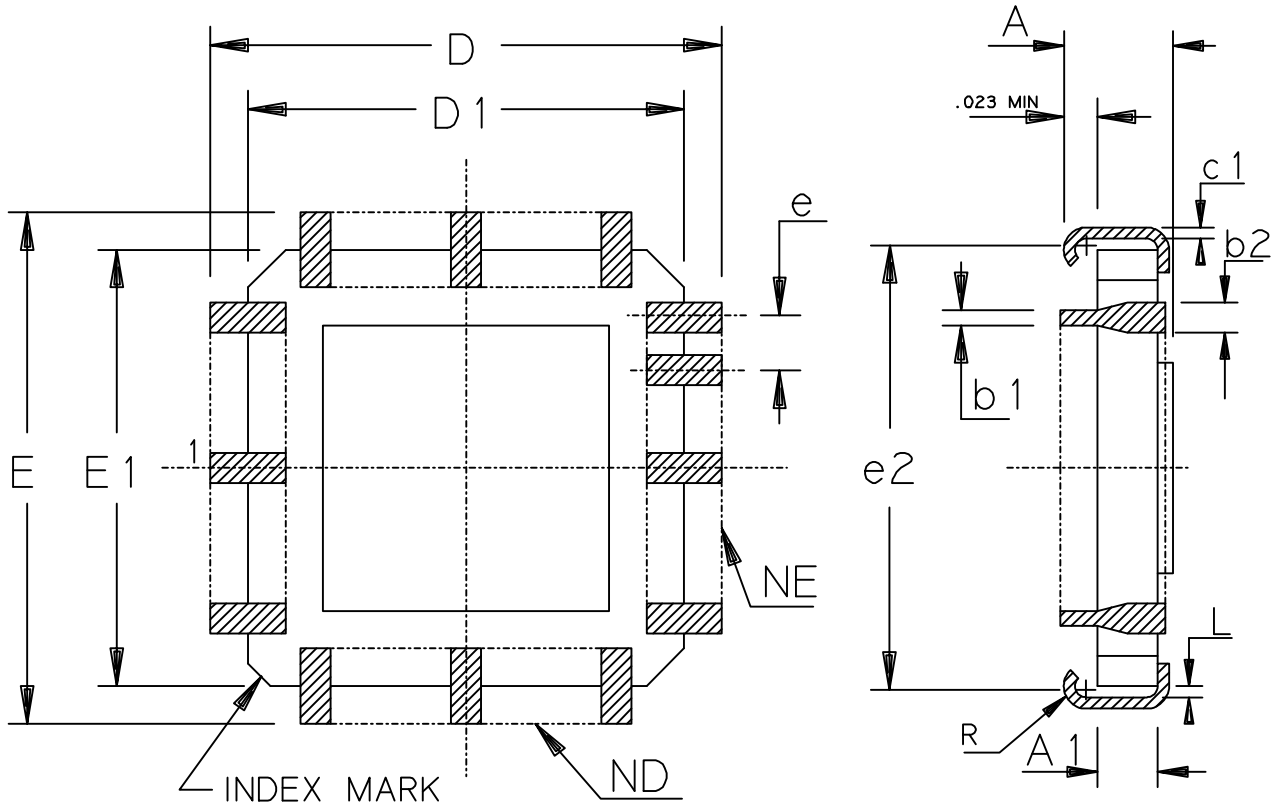
	MM		INCH	
A	1.95	2.36	.077	.093
A1	2.21	2.77	.087	.109
B	0.94	1.04	.037	.041
D	34.01	34.57	1.339	1.361
D1	31.47	32.02	1.239	1.261
E	34.01	34.57	1.339	1.361
E1	31.47	32.02	1.239	1.261
L	1.14	1.40	.045	.055
L1	1.95	2.36	.077	.093
e	1.27	BSC	.050	BSC
j	0.51		0.20	
ND	25		25	
NE	25		25	
PKG STD		- 01 -		

28 LEADS CLCC LEADED J TYPE



	MM		INCH	
	A-B	12.29	12.55	.484
A1-B1	11.22	11.63	.442	.458
D	1.27	BSC	.050	BSC
E	0.51	TYP	.020	TYP
F	1.52	REF	.060	REF
J	0.76	1.27	.030	.050
K	1.50	1.80	.059	.071
L	2.64	3.22	.104	.127
Q	10.41	11.43	.410	.450
N1	7		7	
N2	7		7	
PKG STD	-01-			

44 LEADS CLCC LEADED J TYPE



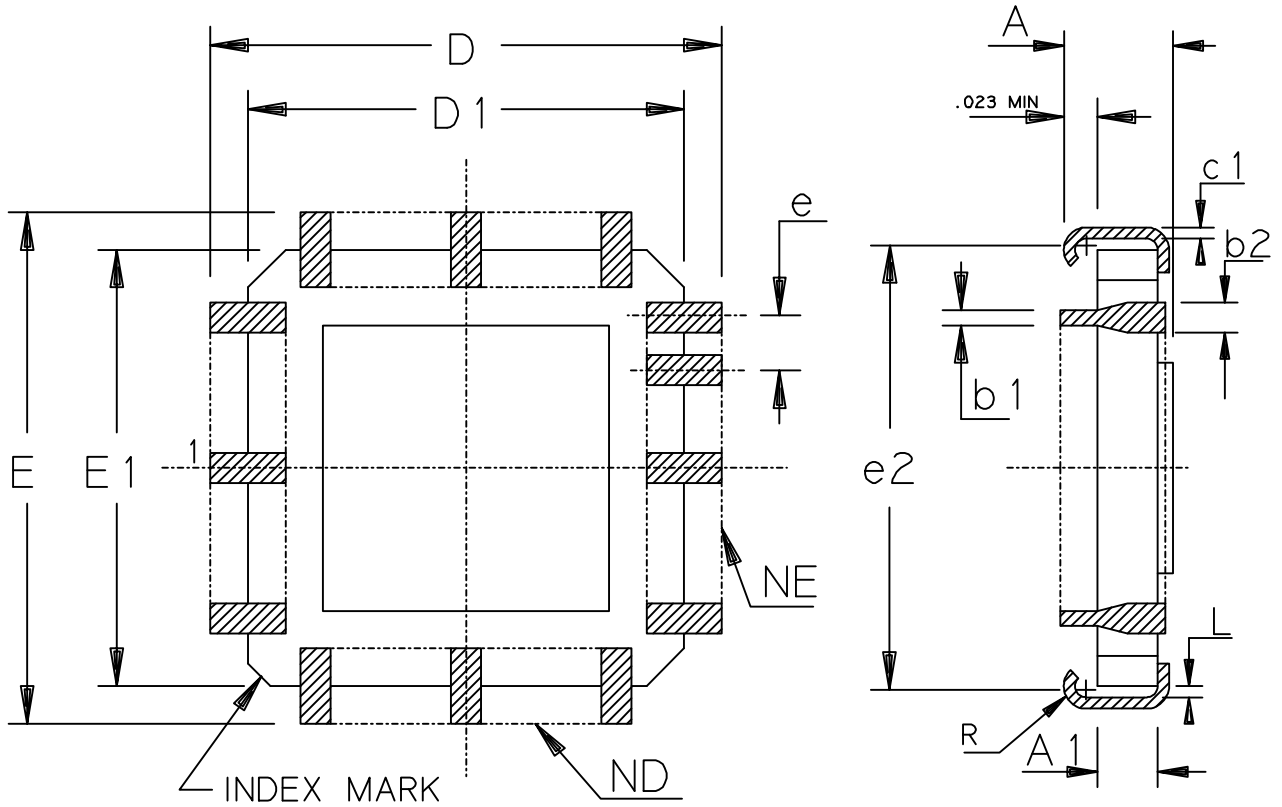
	MM		INCH	
A	2.95	4.82	.115	.190
A1	1.65 NOM		.065 NOM	
b1	0.33	0.50	.013	.020
b2	0.55	0.88	.022	.035
c1	0.17	0.25	.007	.010
D/E	17.14	17.78	.675	.700
D1/E1	15.74	16.76	.620	.660
e	1.27 BSC		.050 BSC	
e2	16.00 BSC		.630 BSC	
L	0.12	-	.005	-
ND/NE	11		11	
R	0.50	1.01	.020	.040

COMPLIANT MIL 1835 (C-J4)

CODE : JL

REV : E DATE : 09-02-93

44 LEADS CLCC LEADED J TYPE



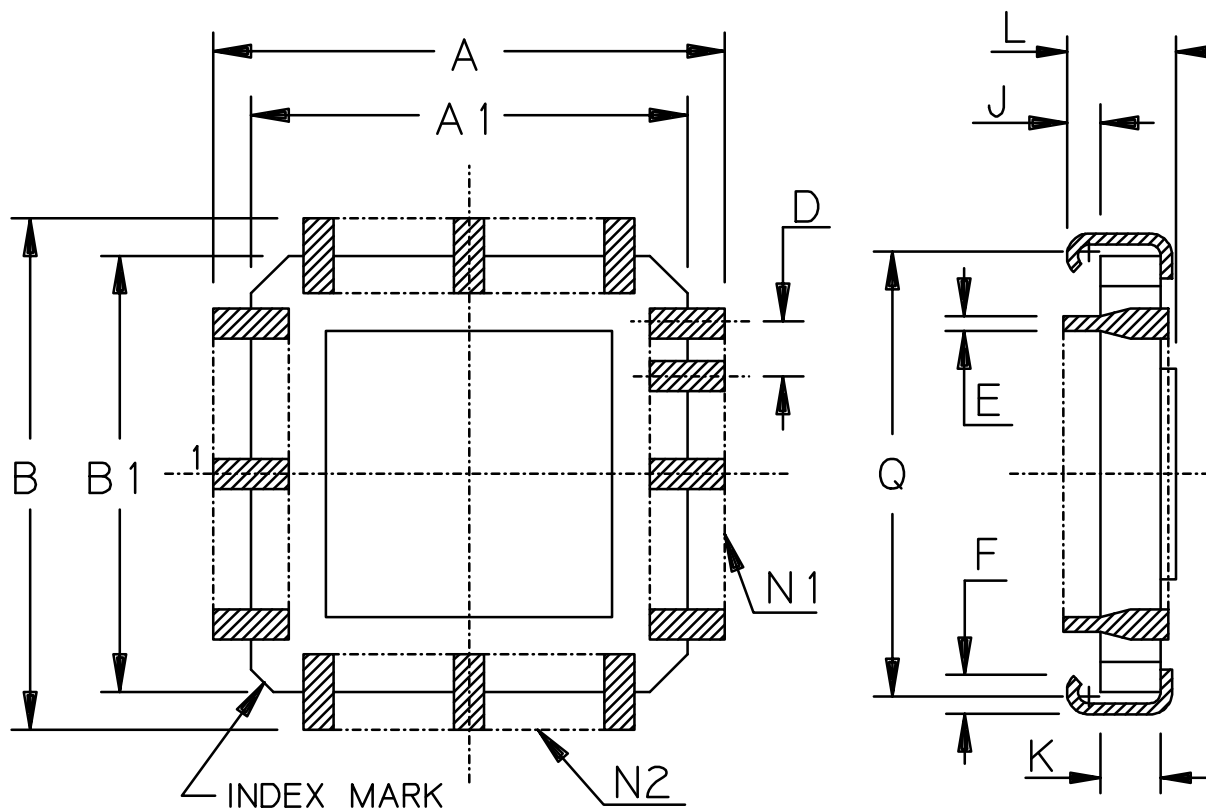
	MM		INCH	
A	2.95	4.82	.115	.190
A1	1.65 NOM		.065 NOM	
b1	0.33	0.50	.013	.020
b2	0.55	0.88	.022	.035
c1	0.17	0.25	.007	.010
D/E	17.14	17.78	.675	.700
D1/E1	15.74	16.76	.620	.660
e	1.27 BSC		.050 BSC	
e2	16.00 BSC		.630 BSC	
L	0.12	-	.005	-
ND/NE	11		11	
R	0.50	1.01	.020	.040

COMPLIANT MIL 1835 (C-J4)

CODE : JL

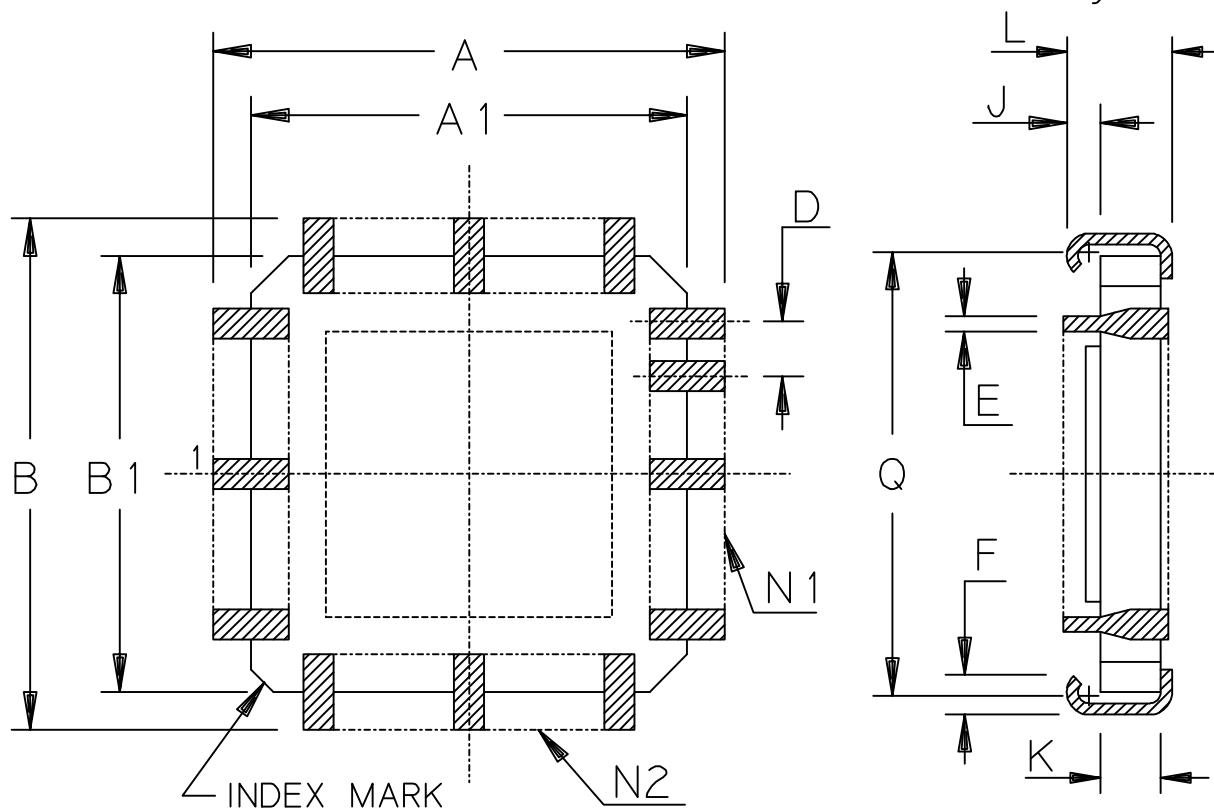
REV : E DATE : 09-02-93

68 LEADS CLCC LEADED J TYPE



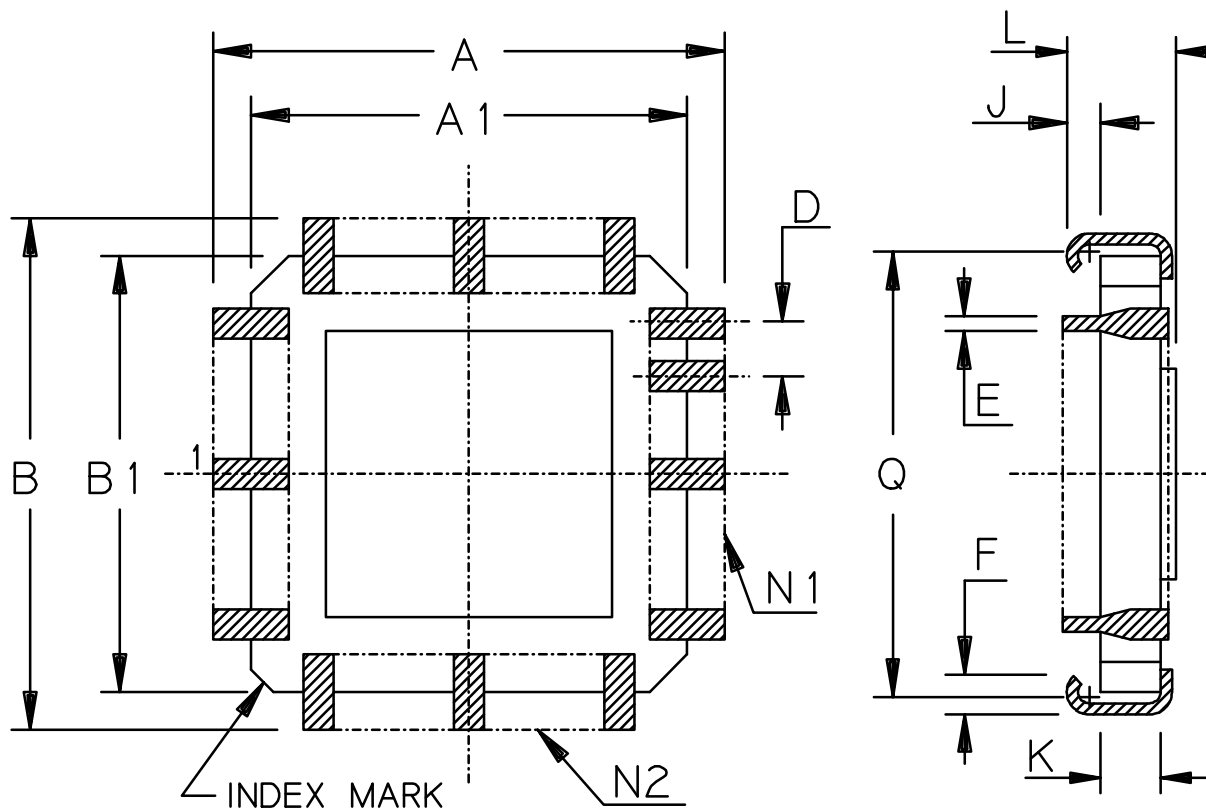
	MM		INCH	
	A-B	25.02	25.27	.985
A1-B1	23.87	24.38	.940	.960
D	1.27	BSC	.050	BSC
E	0.51	TYP	.020	TYP
F	1.52	2.03	.060	.080
J	0.63	1.14	.025	.045
K	1.50	1.80	.059	.071
L	2.54	3.25	.100	.128
Q	23.11	24.13	.910	.950
N1	17		17	
N2	17		17	
PKG STD	-02-			

68 LEADS CLCC LEADED J TYPE Cavity Down



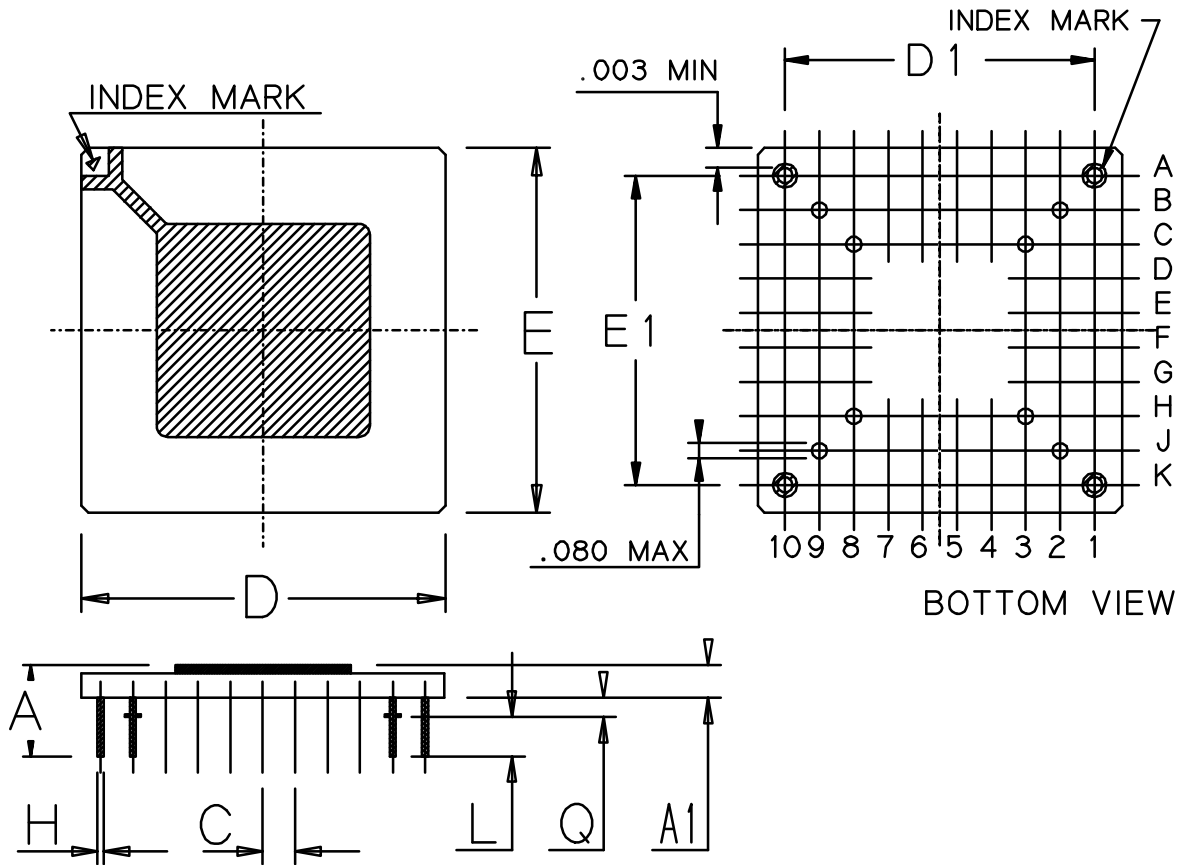
	MM		INCH	
	A-B	25.02	25.27	.985
A1-B1	23.88	24.38	.940	.960
D	1.27	BSC	.050	BSC
E	0.51	TYP	.020	TYP
F	1.52	2.03	.060	.080
J	0.63	1.14	.025	.045
K	1.50	1.80	.059	.071
L	2.29	3.23	.090	.127
Q	23.11	24.13	.910	.950
N1	17		17	
N2	17		17	
PKG STD	-02-			

84 LEADS CLCC LEADED J TYPE



	MM		INCH	
	A-B	30.10	30.35	1.185
A1-B1	28.96	29.46	1.140	1.160
D	1.27	BSC	.050	BSC
E	0.51	REF	.020	REF
F	1.52	REF	.060	REF
J	0.63	1.14	.025	.045
K	1.50	1.80	.059	.071
L	2.39	3.25	.099	.131
Q	28.19	29.21	1.110	1.150
N1	21		21	
N2	21		21	
PKG STD	-01-			

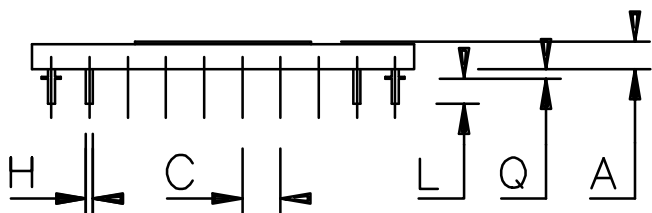
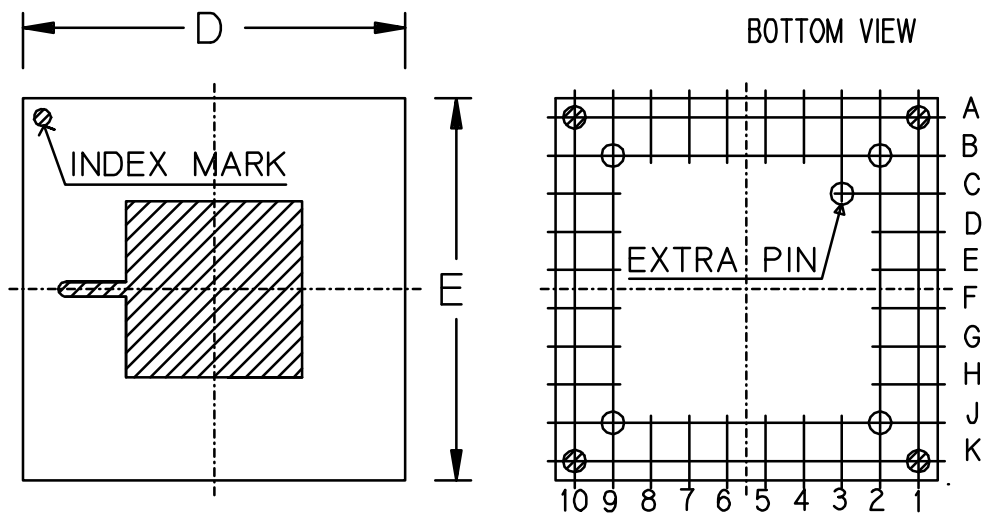
84 PIN PGA



	MM		INCH	
	Min	Max	Min	Max
A	5.46	8.76	.215	.345
A1	1.78	3.68	.070	.145
C	2.54 BSC		.100 BSC	
D/E	26.42	27.43	1.040	1.080
D1/E1	22.86 BSC		.900 BSC	
H	0.40	0.51	.016	.020
L	3.05	3.56	.120	.140
Q	1.02	1.52	.040	.060

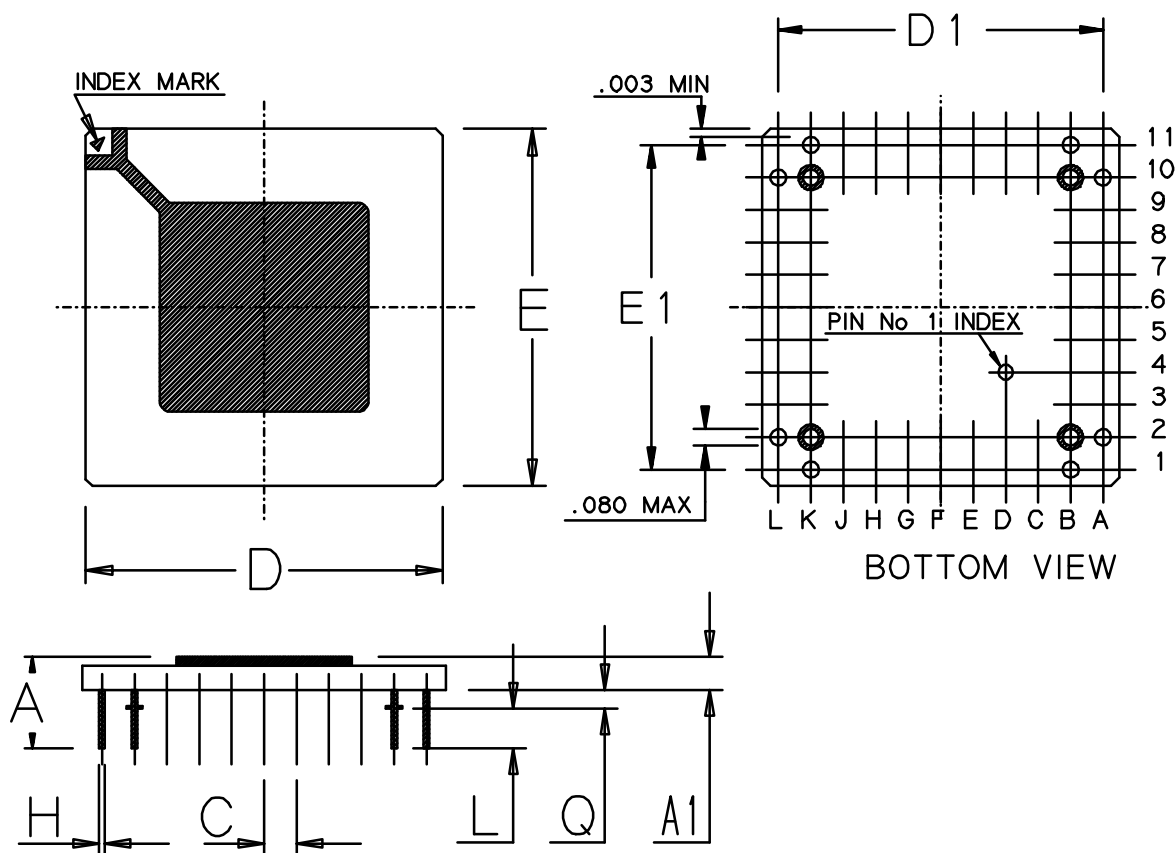
COMPLIANT MIL STD 1835 (P-AB)

64 PIN PGA - G25N



	MM		INCH	
	Min	Max	Min	Max
A	2.20	2.62	.087	.103
C	2.54 BSC		.100 BSC	
D	25.15	25.65	.990	1.010
E	25.15	25.65	.990	1.010
H	0.41	0.51	.016	.020
L	2.92	3.68	.115	.145
Q	1.14	1.40	.045	.055

68 PIN PGA



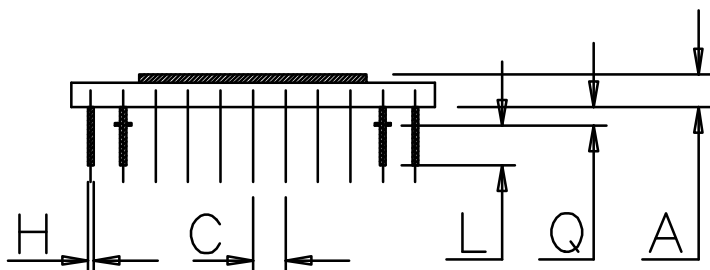
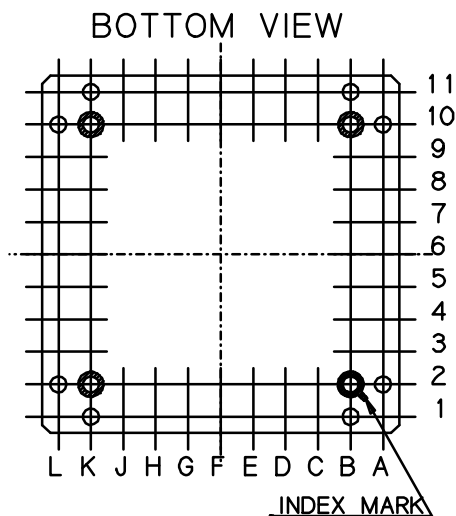
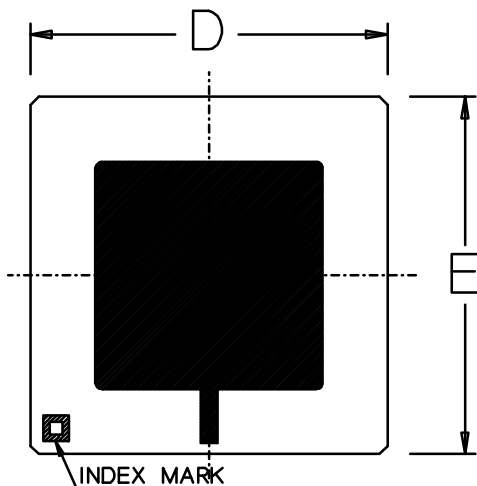
	MM		INCH	
	Min	Max	Min	Max
A	5.46	8.76	.215	.345
A1	1.78	3.68	.070	.145
C	2.54 BSC		.100 BSC	
D/E	27.43	28.83	1.080	1.135
D1/E1	25.40 BSC		1.000 BSC	
H	0.40	0.51	.016	.020
L	3.05	3.56	.120	.140
Q	1.02	1.52	.040	.060

COMPLIANT MIL STD 1835 (P-BC)

CODE : GM

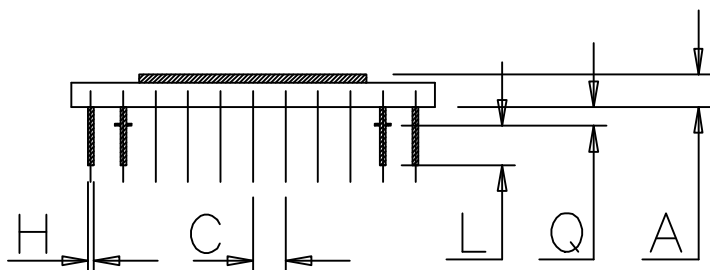
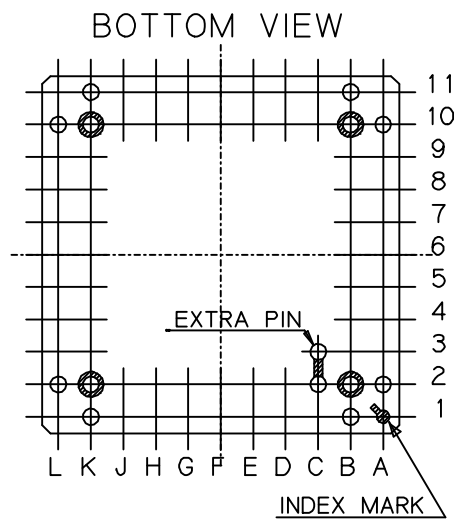
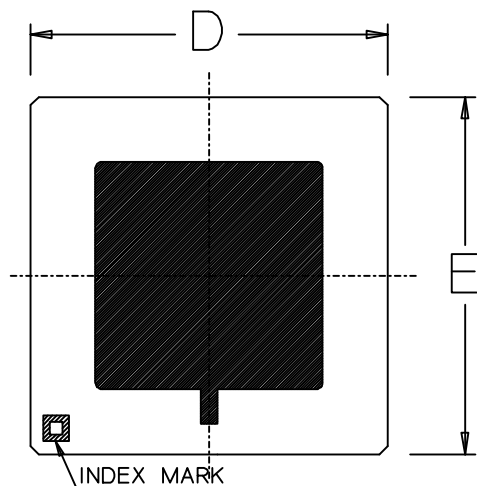
REV : G | DATE : 27-09-94

68 PIN PGA



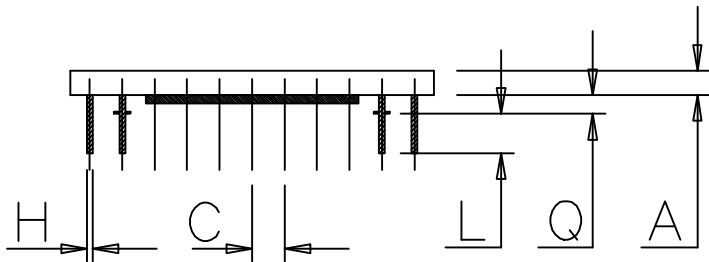
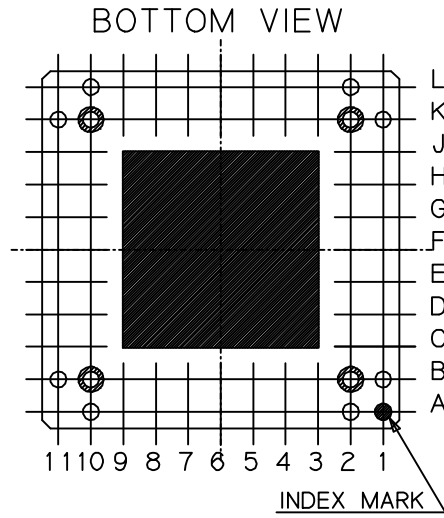
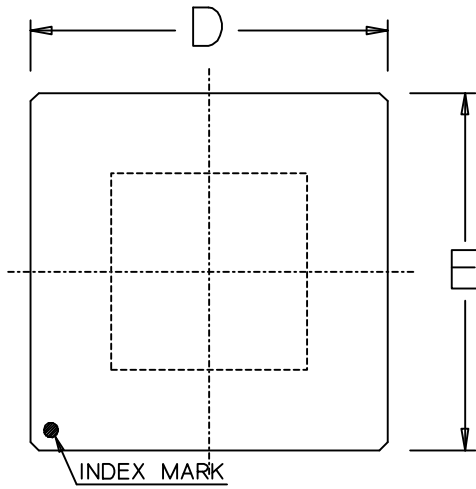
	MM		INCH	
	Min	Max	Min	Max
A	2.36	3.05	.093	.120
C	2.54 BSC		.100 BSC	
D	27.63	28.24	1.088	1.112
E	27.63	28.24	1.088	1.112
H	0.41	0.51	.016	.020
L	3.05	3.56	.120	.140
Q	1.14	1.40	.045	.055

68 PIN PGA



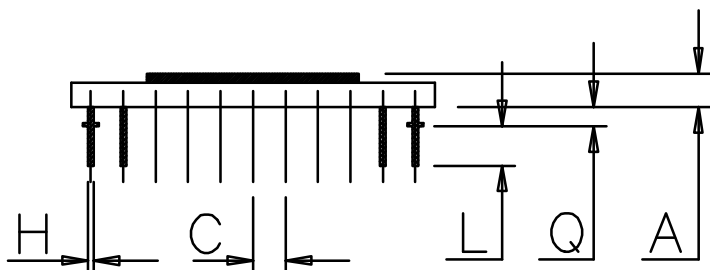
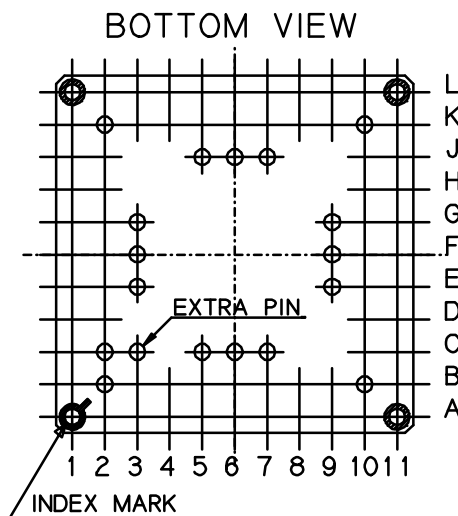
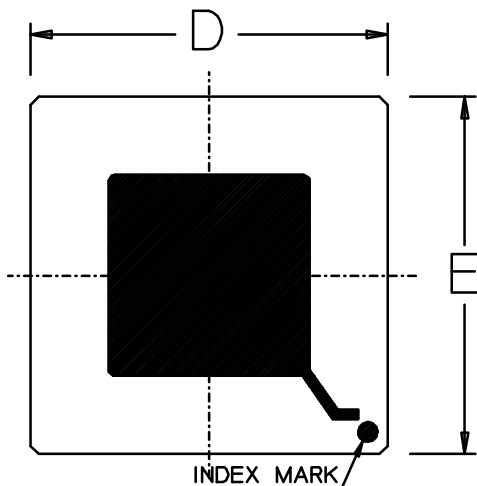
	MM		INCH	
	Min	Max	Min	Max
A	1.90	2.92	.075	.115
C	2.54 BSC		.100 BSC	
D	27.51	28.19	1.083	1.110
E	27.51	28.19	1.083	1.110
H	0.41	0.51	.016	.020
L	3.09	3.50	.122	.138
Q	1.19	1.35	.047	.053

68 PIN PGA (CAVITY DOWN)



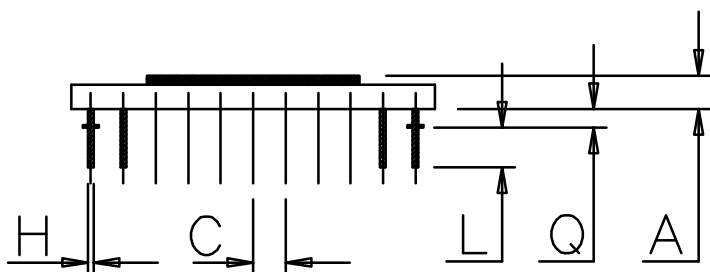
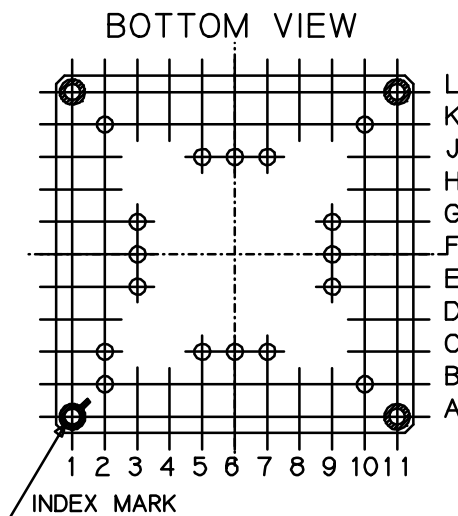
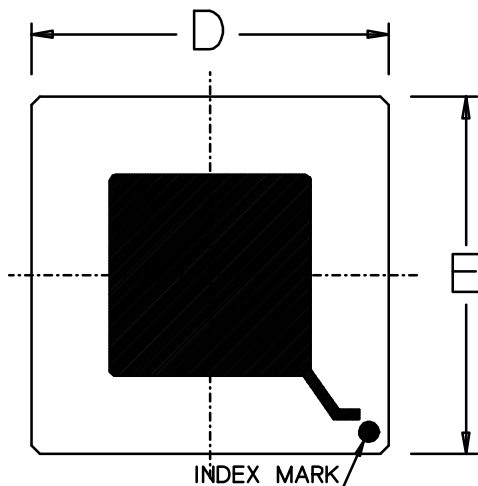
	MM		INCH	
	Min	Max	Min	Max
A	1.90	2.92	.075	.115
C	2.54 BSC		.100 BSC	
D	27.58	28.19	1.086	1.110
E	27.58	28.19	1.086	1.110
H	0.41	0.51	.016	.020
L	3.09	3.50	.122	.138
Q	1.19	1.35	.047	.053

84 PIN PGA



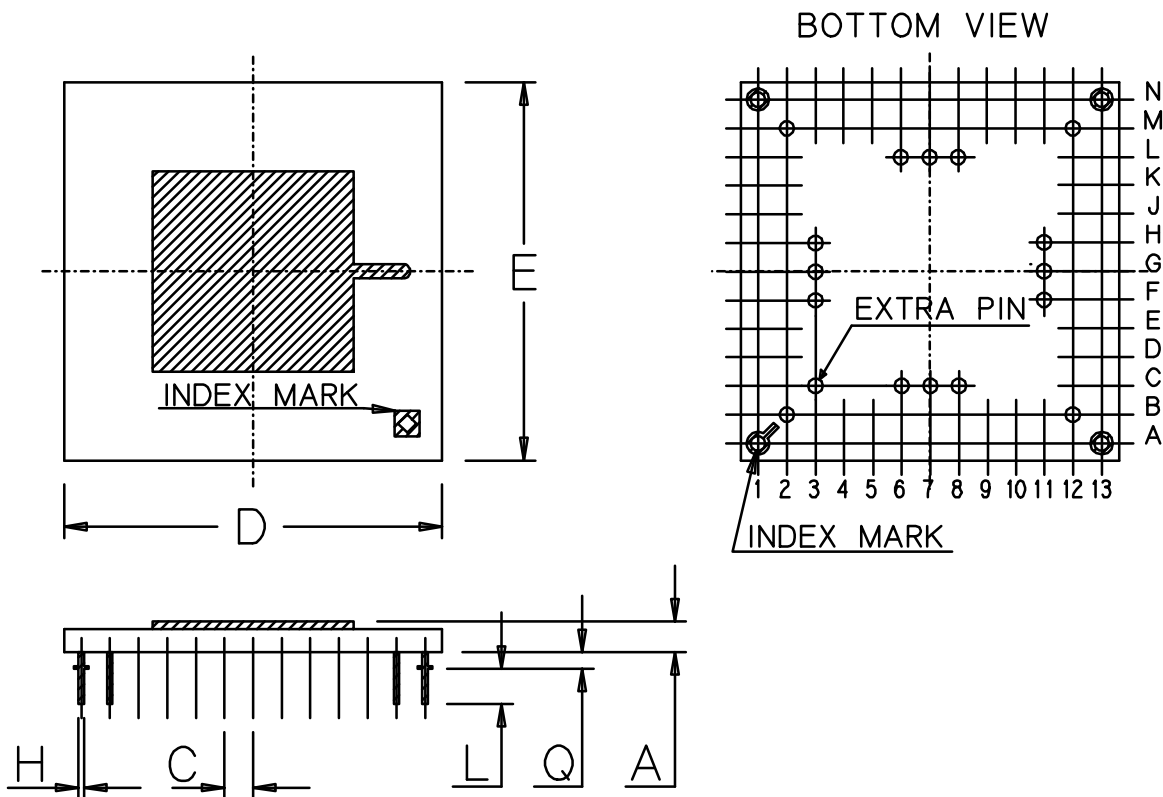
	MM		INCH	
	Min	Max	Min	Max
A	2.21	2.64	.087	.104
C	2.54 BSC		.100 BSC	
D	27.43	28.45	1.080	1.120
E	27.43	28.45	1.080	1.120
H	0.41	0.51	.016	.020
L	3.05	3.56	.120	.140
Q	1.19	1.35	.047	.053

84 PIN PGA



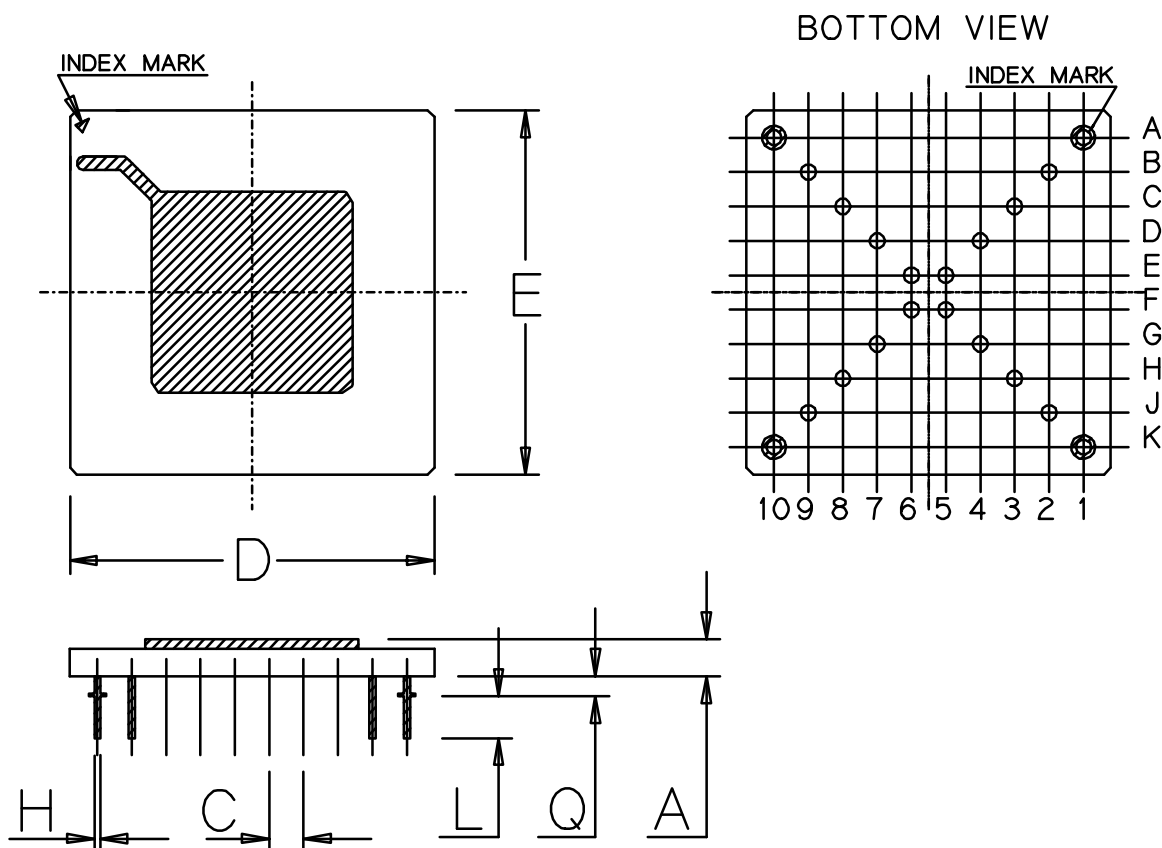
	MM		INCH	
	Min	Max	Min	Max
A	2.21	2.64	.087	.104
C	2.54 BSC		.100 BSC	
D	27.43	28.45	1.080	1.120
E	27.43	28.45	1.080	1.120
H	0.41	0.51	.016	.020
L	3.05	3.56	.120	.140
Q	1.19	1.35	.047	.053

100 PIN PGA



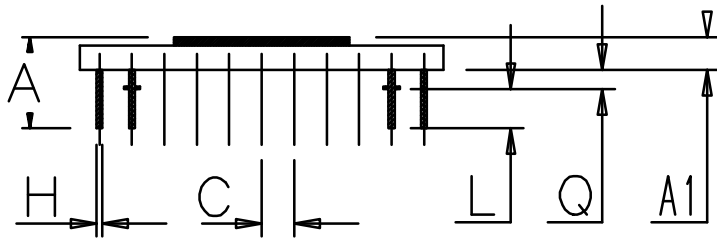
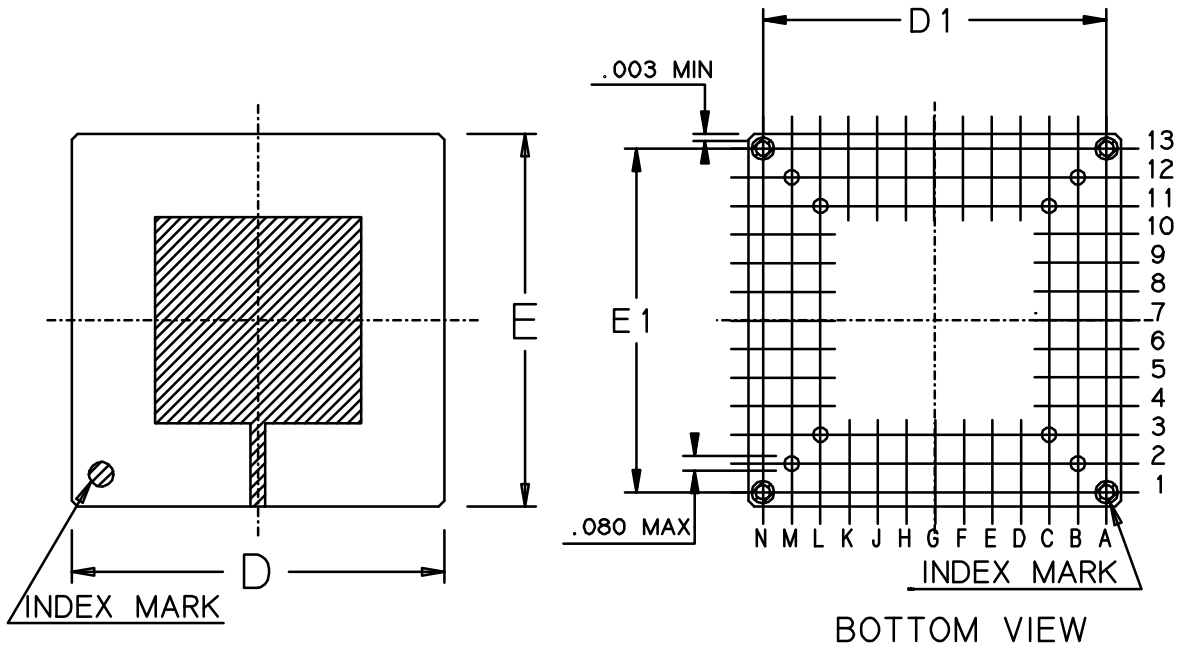
	MM		INCH	
	Min	Max	Min	Max
A	2.08	2.64	.082	.104
C	2.54 BSC		.100 BSC	
D	33.22	33.83	1.308	1.332
E	33.22	33.83	1.308	1.332
H	0.41	0.51	.016	.020
L	3.04	3.55	.120	.140
Q	1.14	1.40	.045	.055

100 PIN PGA



	MM		INCH	
	Min	Max	Min	Max
A	2.36	3.05	.093	.120
C	2.54 BSC		.100 BSC	
D	26.67	27.18	1.050	1.070
E	26.67	27.18	1.050	1.070
H	0.41	0.51	.016	.020
L	2.92	3.68	.115	.145
Q	1.14	1.40	.045	.055

120 PIN PGA



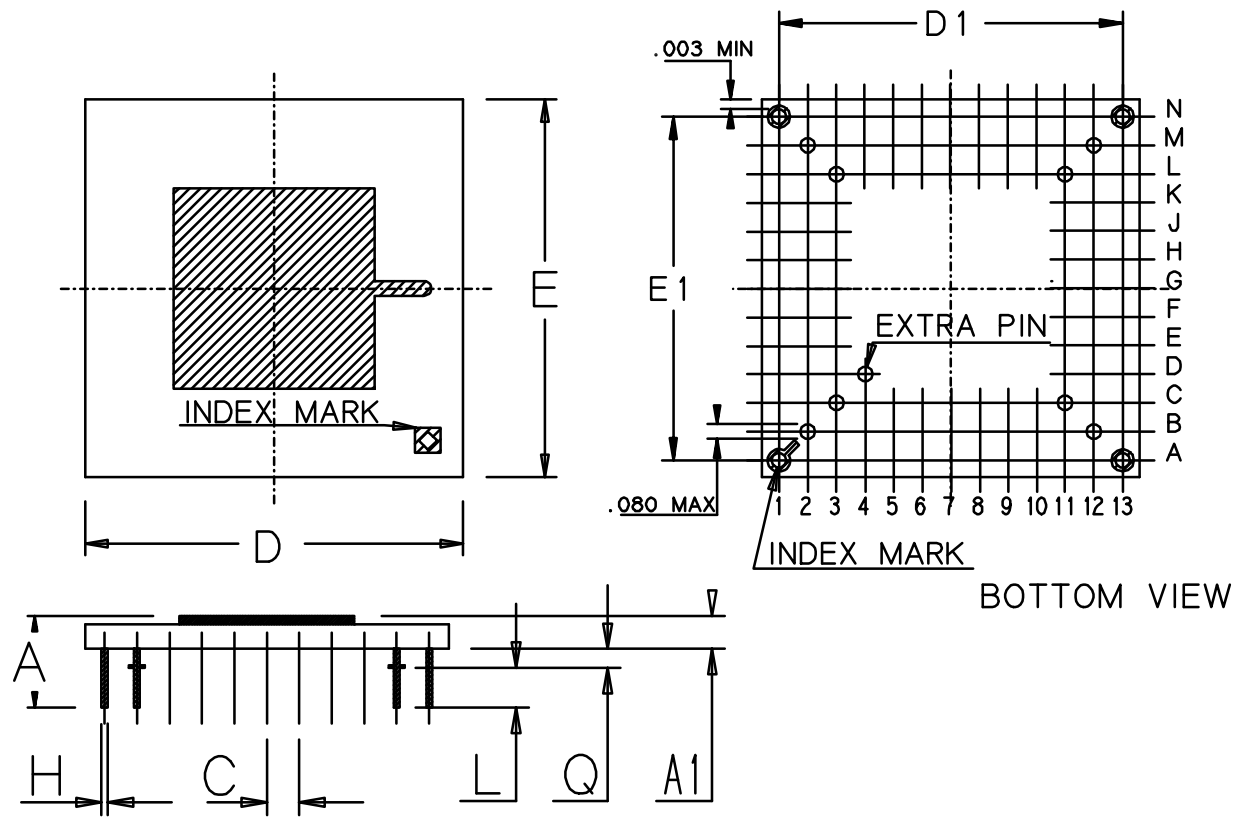
	MM		INCH	
	Min	Max	Min	Max
A	5.46	8.76	.215	.345
A1	1.78	3.68	.070	.145
C	2.54 BSC		.100 BSC	
D/E	32.51	33.90	1.280	1.335
D1/E1	30.48 BSC		1.200 BSC	
H	0.40	0.51	.016	.020
L	3.05	3.56	.120	.140
Q	1.02	1.52	.040	.060

COMPLIANT MIL STD 1835 (P-BE)

CODE : GU

REV : F DATE : 10-02-95

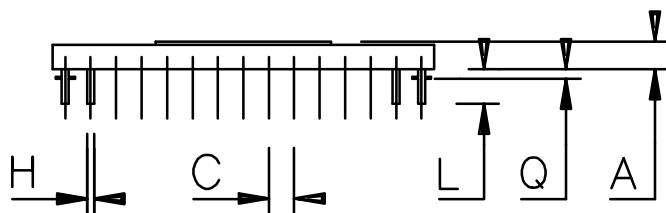
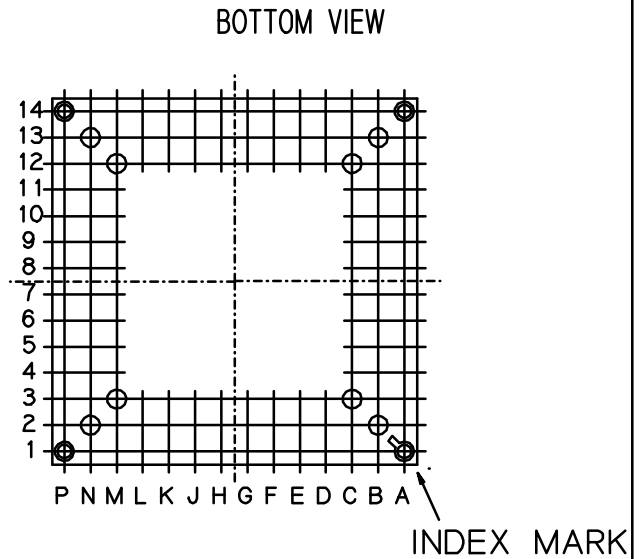
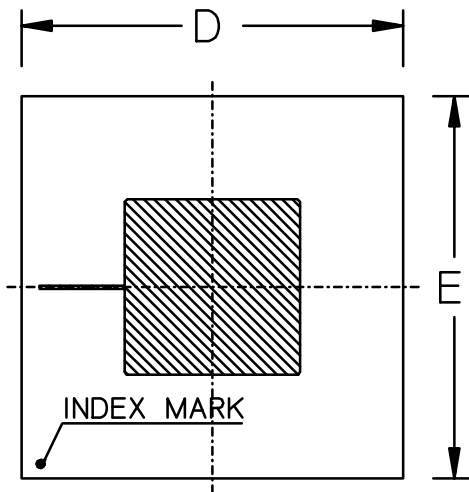
120 PIN PGA



	MM		INCH	
	Min	Max	Min	Max
A	5.46	8.76	.215	.345
A1	1.78	3.68	.070	.145
C	2.54 BSC		.100 BSC	
D/E	32.51	33.90	1.280	1.335
D1/E1	30.48 BSC		1.200 BSC	
H	0.40	0.51	.016	.020
L	3.05	3.56	.120	.140
Q	1.02	1.52	.040	.060

COMPLIANT MIL STD 1835 (P-BE)

132 PIN PGA



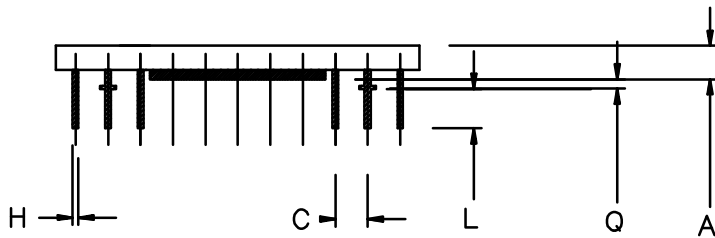
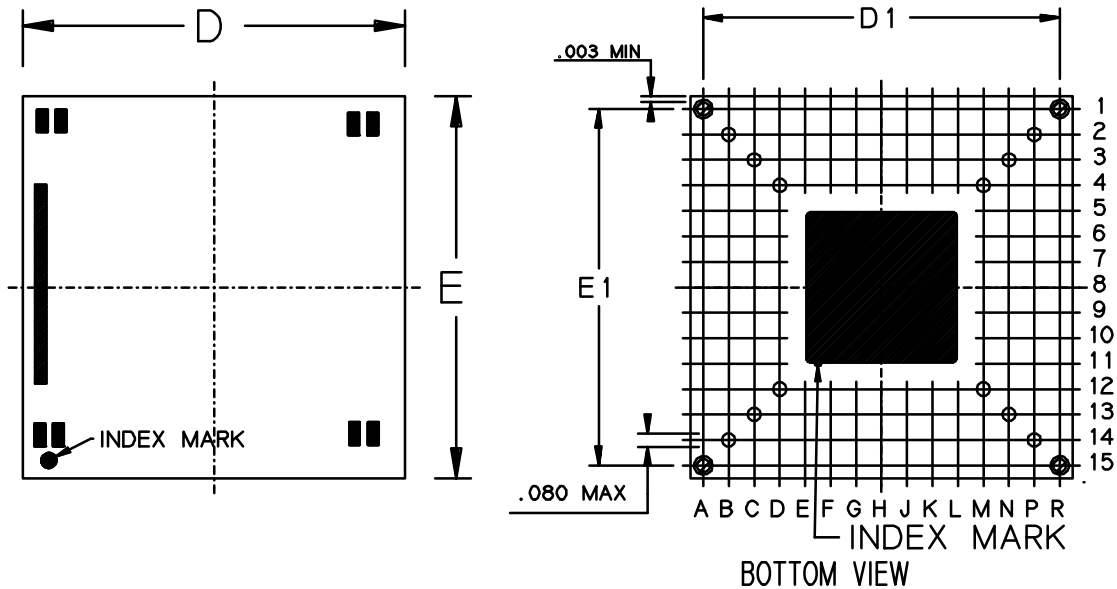
	MM		INCH	
	Min	Max	Min	Max
A	2.41	3.05	.095	.120
C	2.54 BSC		.100 BSC	
D	35.31	35.94	1.390	1.415
E	35.31	35.94	1.390	1.415
H	0.41	0.51	.016	.020
L	4.31	4.83	.170	.190
Q	1.65	1.90	.065	.075

NOT COMPLIANT MIL STD 1835

CODE : 8Y

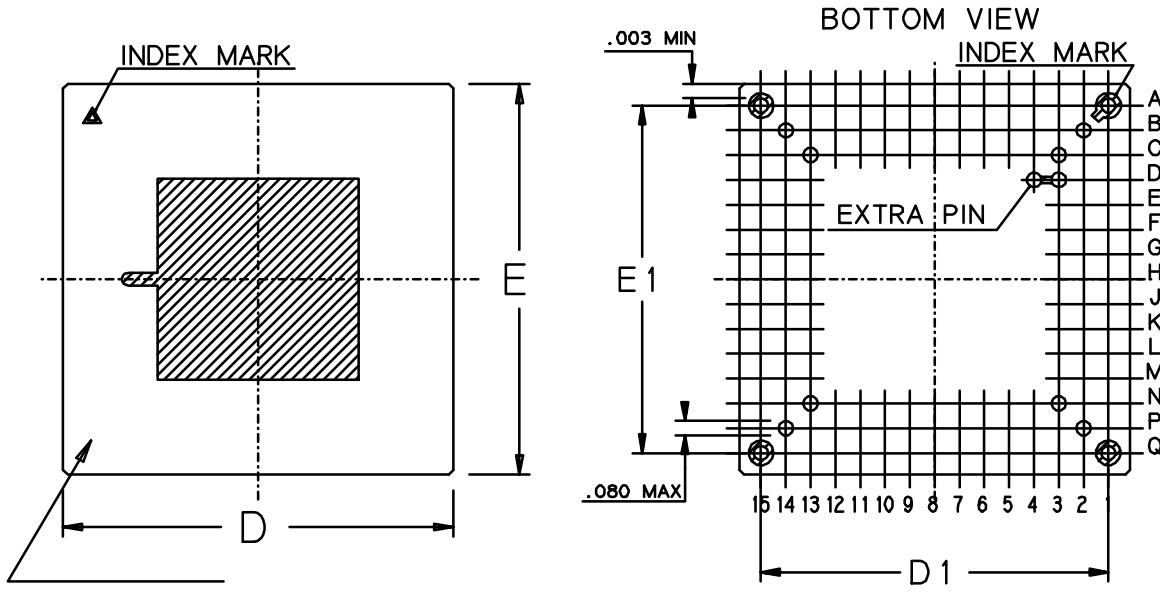
REV : B | DATE : 20-02-95

143 PIN PGA



	MM		INCH	
	Min	Max	Min	Max
A	2.67	3.18	.105	.125
C	2.54 BSC		.100 BSC	
D/E	39.59	40.41	1.559	1.591
D1/E1	35.56 BSC		1.400 BSC	
H	0.40	0.51	.016	.020
L	3.05	3.56	.120	.135
Q	0.58	0.89	.023	.035

144 PIN PGA



	MM		INCH	
	Min	Max	Min	Max
A	5.46	8.76	.215	.345
A1	1.78	3.68	.070	.145
C	2.54 BSC		.100 BSC	
D/E	39.12	40.38	1.540	1.590
D1/E1	35.56 BSC		1.400 BSC	
H	0.40	0.51	.016	.020
L	3.05	3.56	.120	.140
Q	1.02	1.52	.040	.060

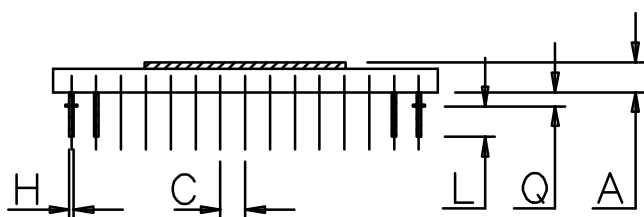
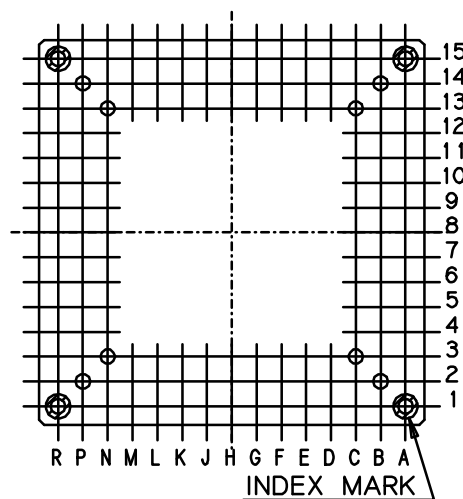
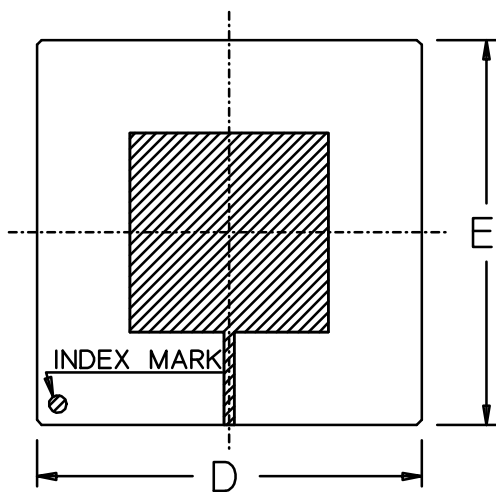
COMPLIANT MIL 1835 (P-AG)

CODE : 8V

REV : F | DATE : 26-09-94

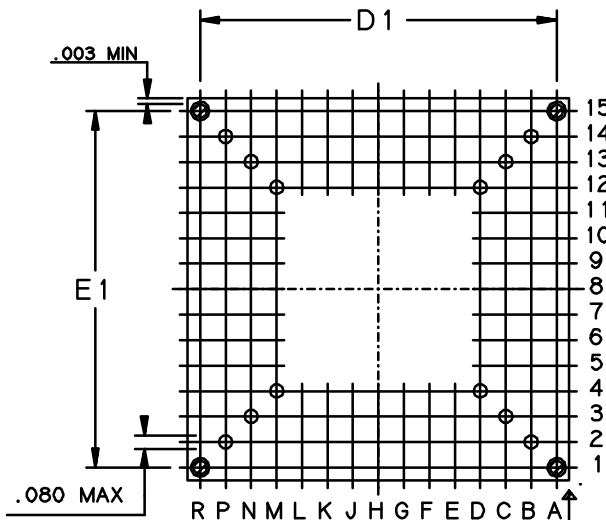
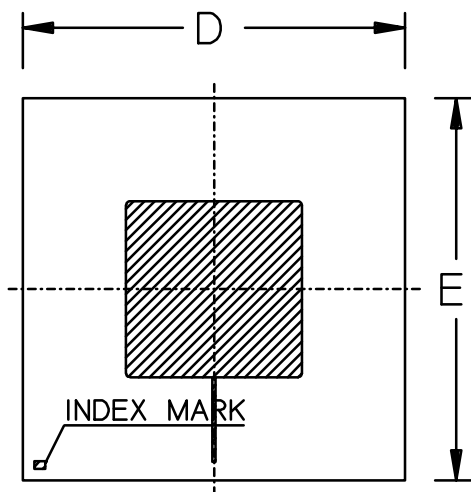
144 PIN PGA

BOTTOM VIEW



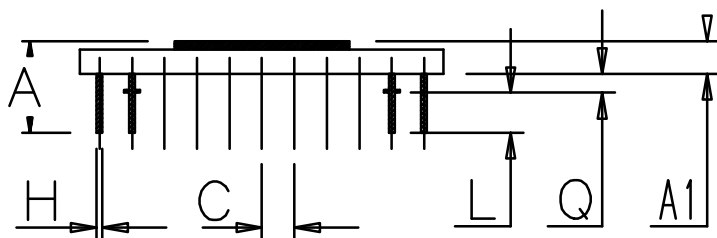
	MM		INCH	
	Min	Max	Min	Max
A	2.29	3.05	.090	.120
C	2.54 BSC		.100 BSC	
D	38.96	39.78	1.534	1.566
E	38.96	39.78	1.534	1.566
H	0.41	0.51	.016	.020
L	2.82	3.83	.111	.151
Q	1.07	1.47	.042	.058

176 PIN PGA



BOTTOM VIEW

INDEX MARK



	MM		INCH	
	Min	Max	Min	Max
A	5.46	8.76	.215	.345
A1	1.78	3.68	.070	.145
C	2.54 BSC		.100 BSC	
D/E	37.59	38.98	1.580	1.635
D1/E1	35.56 BSC		1.400 BSC	
H	0.40	0.51	.016	.020
L	3.05	3.56	.120	.140
Q	1.02	1.52	.040	.060

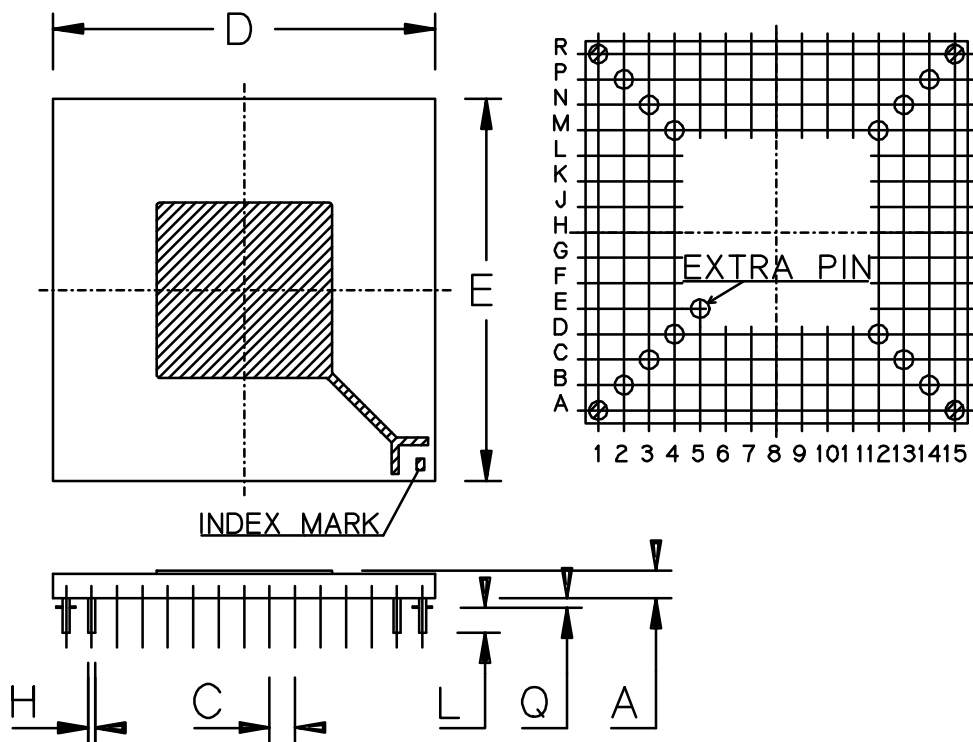
COMPLIANT MIL 1835 (P-BG)

CODE : 8W

REV : H | DATE : 18-07-95

176 PIN PGA

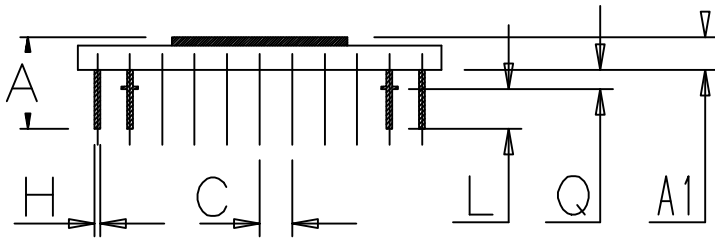
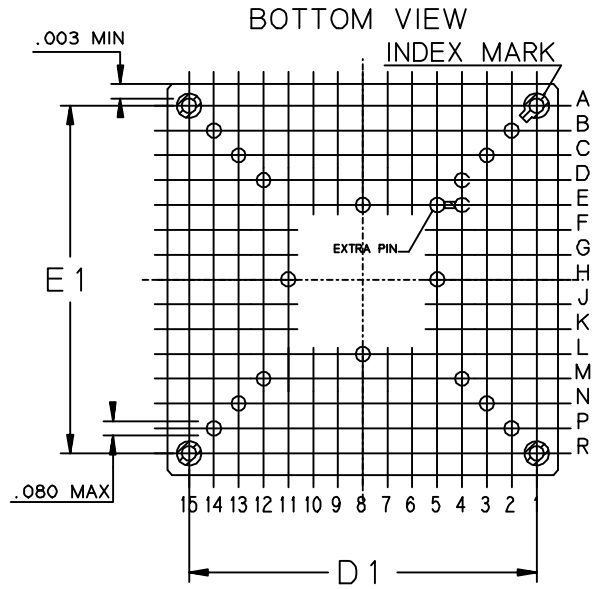
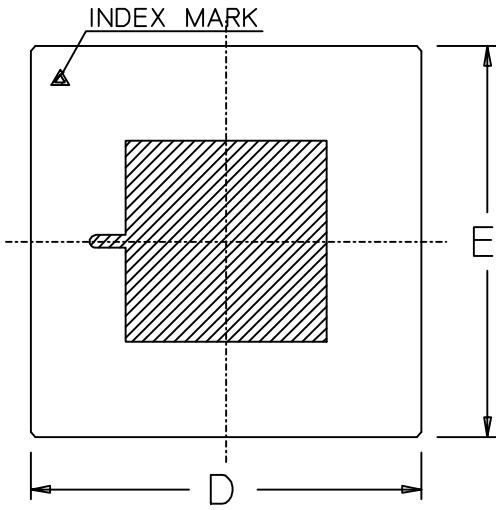
BOTTOM VIEW



	MM		INCH	
	Min	Max	Min	Max
A	2.31	2.77	.091	.109
C	2.54 BSC		.100 BSC	
D	37.69	38.50	1.484	1.516
E	37.69	38.50	1.484	1.516
H	0.41	0.51	.016	.020
L	3.46	3.12	.097	.123
Q	0.89	1.14	.035	.045

180 PIN PGA

PRELIMINARY DRAWING



	MM		INCH	
	Min	Max	Min	Max
A	5.46	8.76	.215	.345
A1	1.78	3.68	.070	.145
C	2.54 BSC		.100 BSC	
D/E	39.12	40.38	1.540	1.590
D1/E1	35.56 BSC		1.400 BSC	
H	0.40	0.51	.016	.020
L	3.05	3.56	.120	.140
Q	1.02	1.52	.040	.060

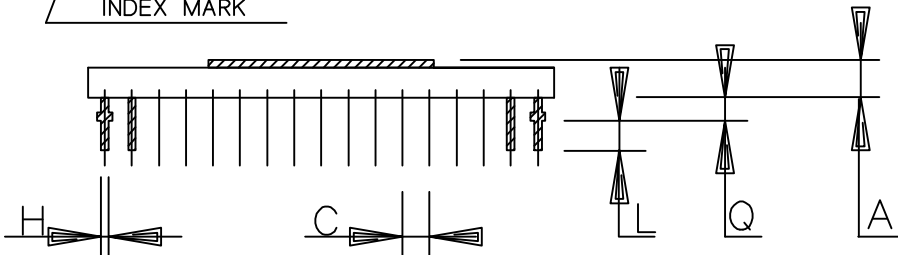
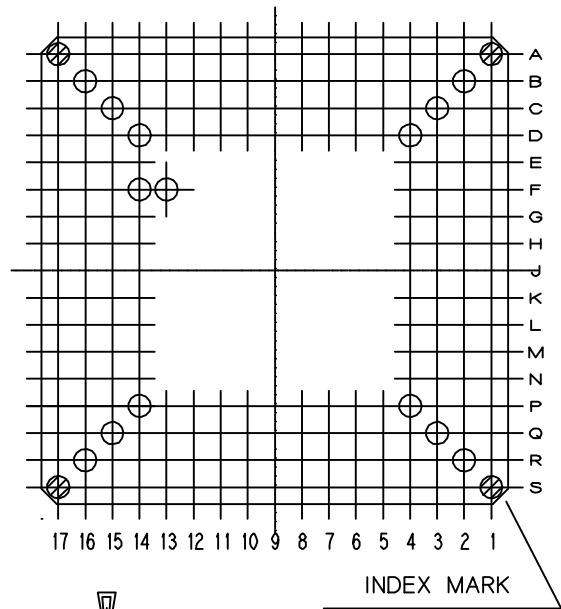
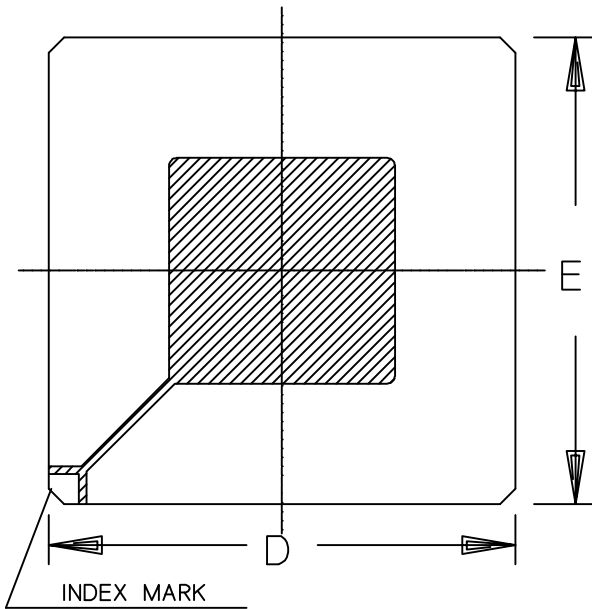
COMPLIANT MIL 1835 (P-AG)

CODE : 80

REV : 0 DATE : 26-03-93

209 PIN PGA

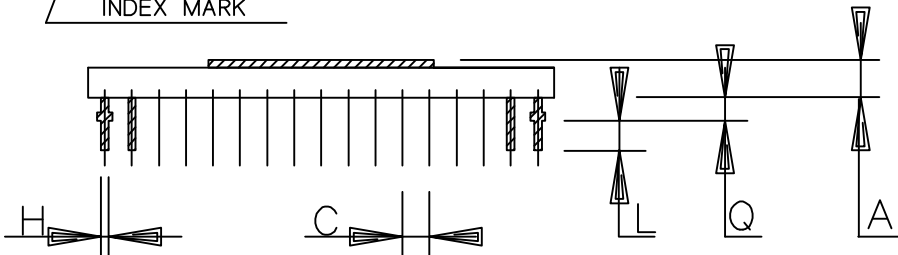
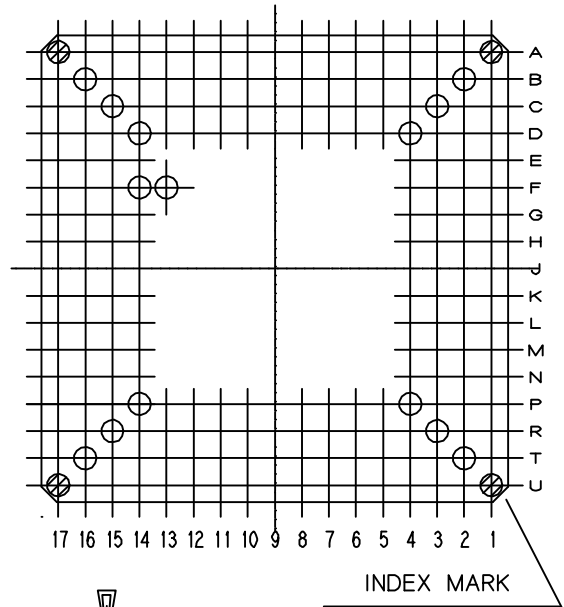
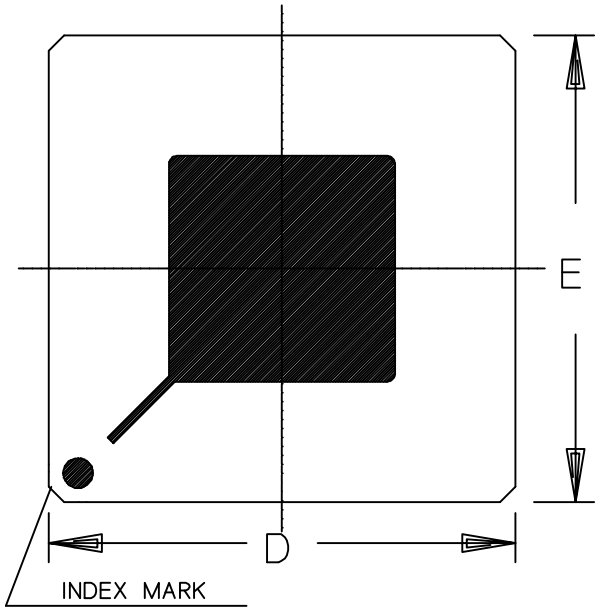
BOTTOM VIEW



	MM		INCH	
	Min	Max	Min	Max
A	2.87	3.68	.113	.145
C	2.54 BSC		.100 BSC	
D	42.77	43.59	1.684	1.716
E	42.77	43.59	1.684	1.716
H	0.41	0.51	.016	.020
L	3.48	4.09	.137	.161
Q	0.91	1.12	.036	.044

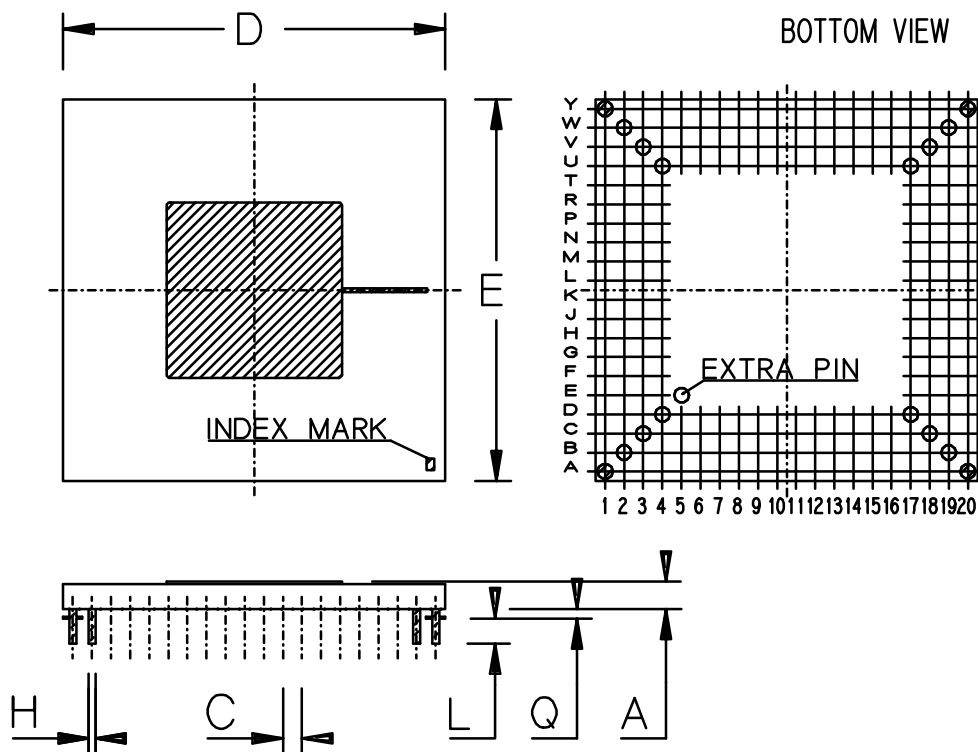
209 PIN PGA

BOTTOM VIEW



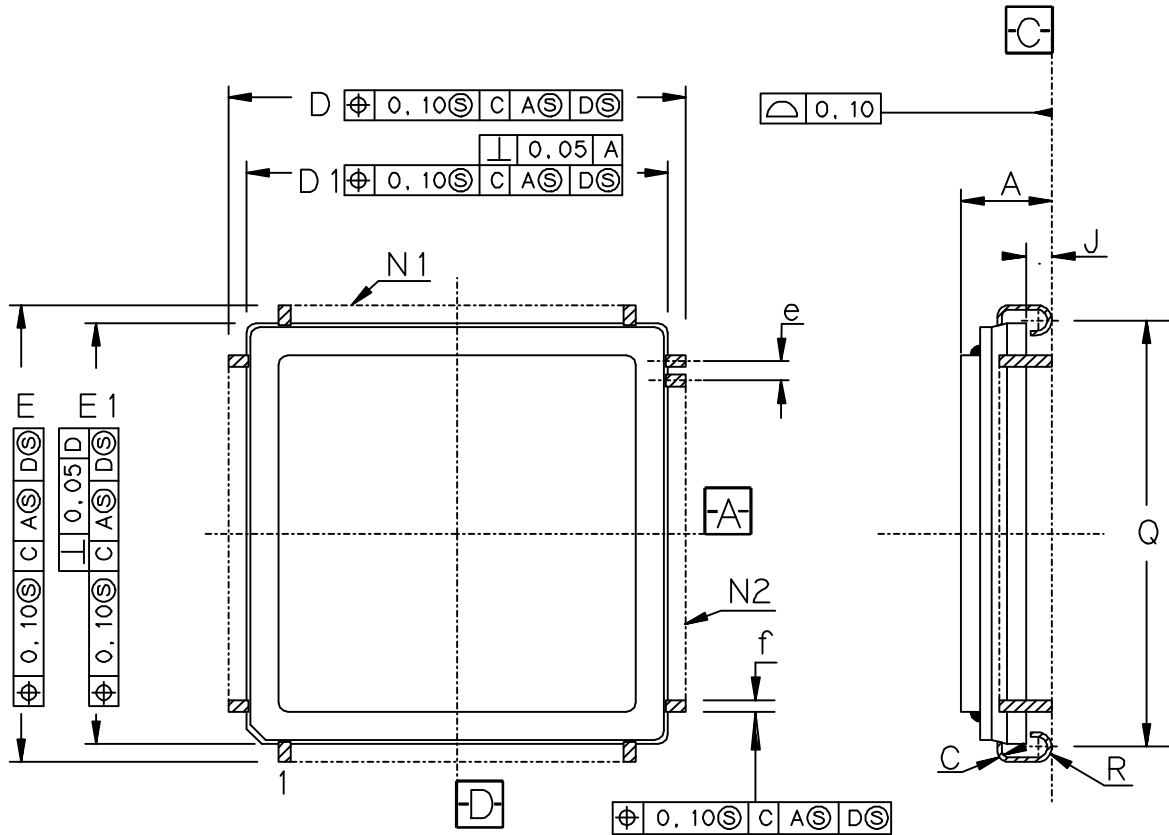
	MM		INCH	
	Min	Max	Min	Max
A	2.67	3.43	.105	.135
C	2.54 BSC		.100 BSC	
D	42.77	43.59	1.684	1.716
E	42.77	43.59	1.684	1.716
H	0.41	0.51	.016	.020
L	3.05	3.56	.120	.140
Q	1.27 TYP		.050 TYP	

257 PIN PGA



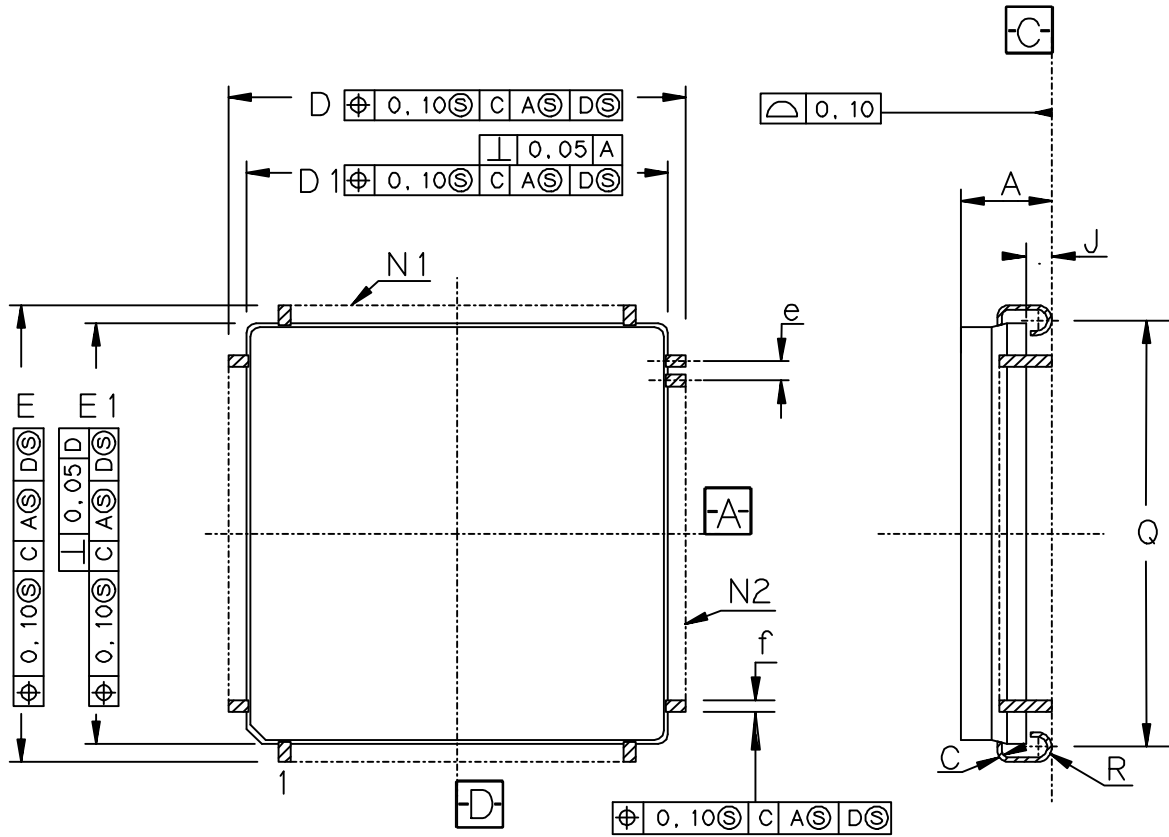
	MM		INCH	
	Min	Max	Min	Max
A	3.33	3.99	.131	.157
C	2.54 BSC		.100 BSC	
D	50.29	51.31	1.980	2.020
E	50.29	51.31	1.980	2.020
H	0.41	0.51	.016	.020
L	3.05	3.56	.120	.140
Q	1.14	1.40	.045	.055

28 LEADS CER QUAD PACK



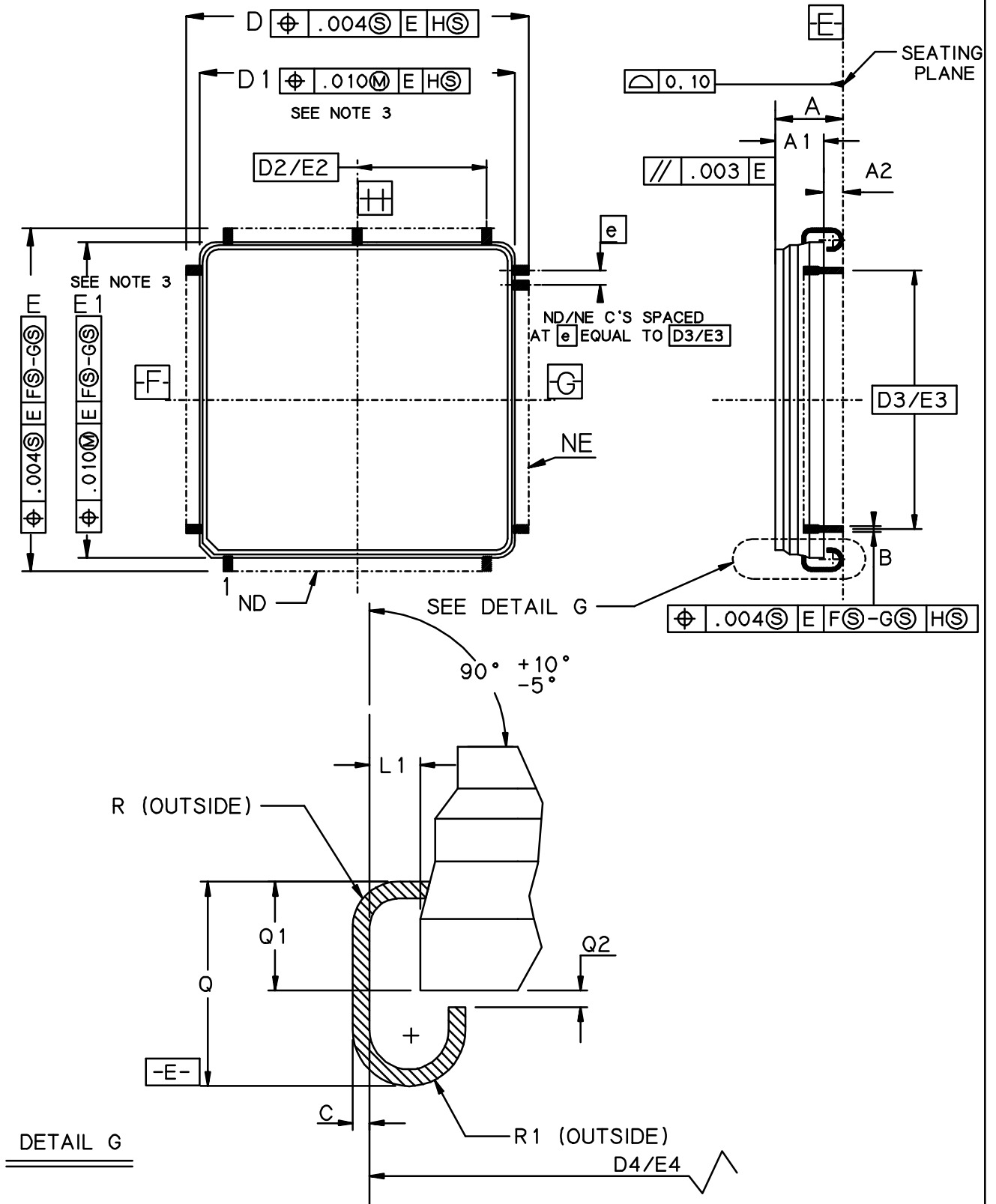
	MM		INCH	
	Min	Max	Min	Max
A	-	5.20	-	.205
C	0.15	0.25	.006	.010
D - E	12.32	12.60	.485	.496
D1 - E1	11.33	11.53	.446	.454
e	1.27 TYP		.050 TYP	
f	0.43	0.53	.017	.021
J	0.86	1.12	.034	.044
Q	10.42	10.92	.410	.430
R	0.94 TYP		.037 TYP	
N1	7		7	
N2	7		7	

44 LEAD CER QUAD PACK



	MM		INCH	
	Min	Max	Min	Max
A	-	4.90	-	.193
C	0.15	0.25	.006	.010
D - E	17.40	17.55	.685	.691
D1 - E1	16.36	16.66	.644	.656
e	1.27 TYP		.050 TYP	
f	0.43	0.53	.017	.021
J	0.86	1.12	.034	.044
Q	15.49	16.00	.610	.630
R	0.86 TYP		.034 TYP	
N1	11		11	
N2	11		11	

44 LEADS CER QUAD PACK



SEE TABLE OF DIMENSIONS PAGE 111 BIS

CODE : QL

REV : C DATE : 04-10-95

44 LEADS CER QUAD PACK

TABLE OF DIMENSIONS

	MM		INCH	
	Min	Max	Min	Max
A	2.16	4.83	.085	.190
A1	1.91	3.81	.075	.150
A2	0.76	1.27	.030	.050
B	0.46	0.56	.018	.022
C	0.14	0.28	.0054	.011
D/E	17.40	17.65	.685	.695
D1/E1	16.31	16.71	.642	.658
D2/E2	6.35 BSC		.250 BSC	
D3/E3	12.70 BSC		.500 BSC	
D4/E4	16.84	17.30	.663	.681
e	1.27 BSC		.050 BSC	
L1	0.25	-	.010	-
Q	2.41	2.92	.095	.115
Q1	1.52	1.78	.060	.070
Q2	0.08	-	.003	-
R	0.38	-	.015	-
R1	0.76	1.02	.030	.040
ND/NE	11		11	

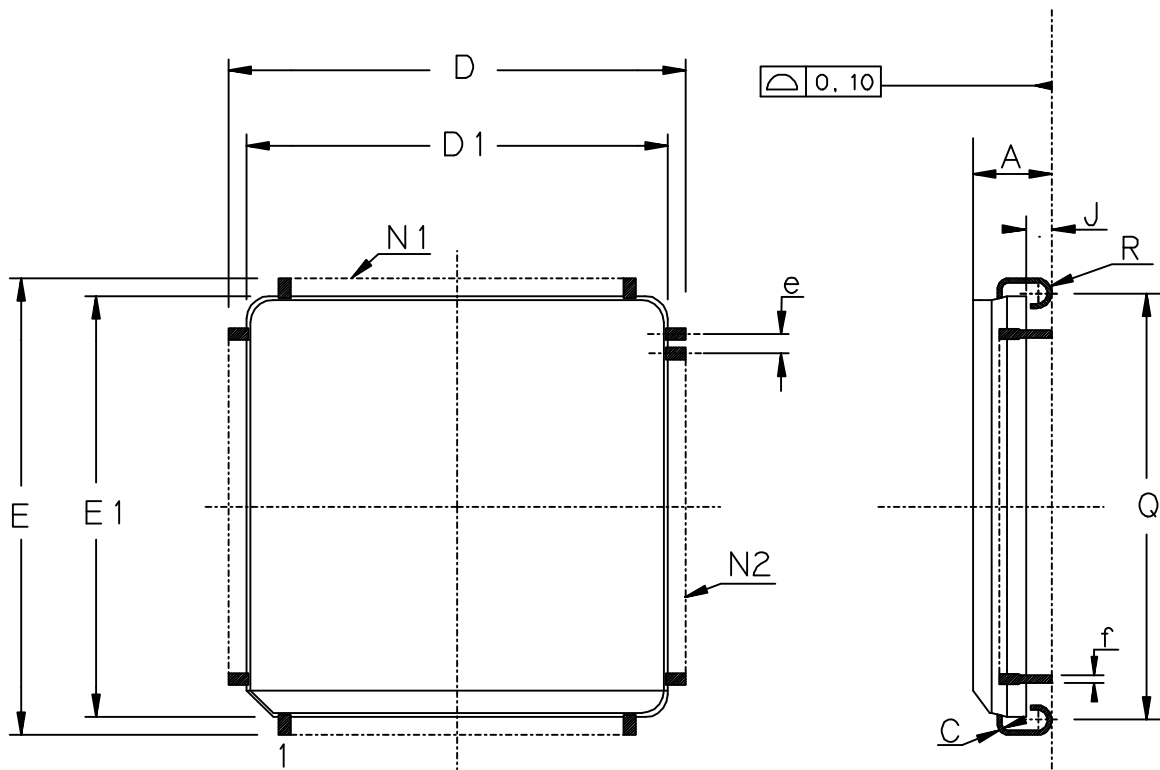
COMPLIANT MIL 38510 (C-J1)

EXCEPT C DIM.

CODE : QL

REV : C DATE : 04-10-95

52 LEADS CER QUAD PACK



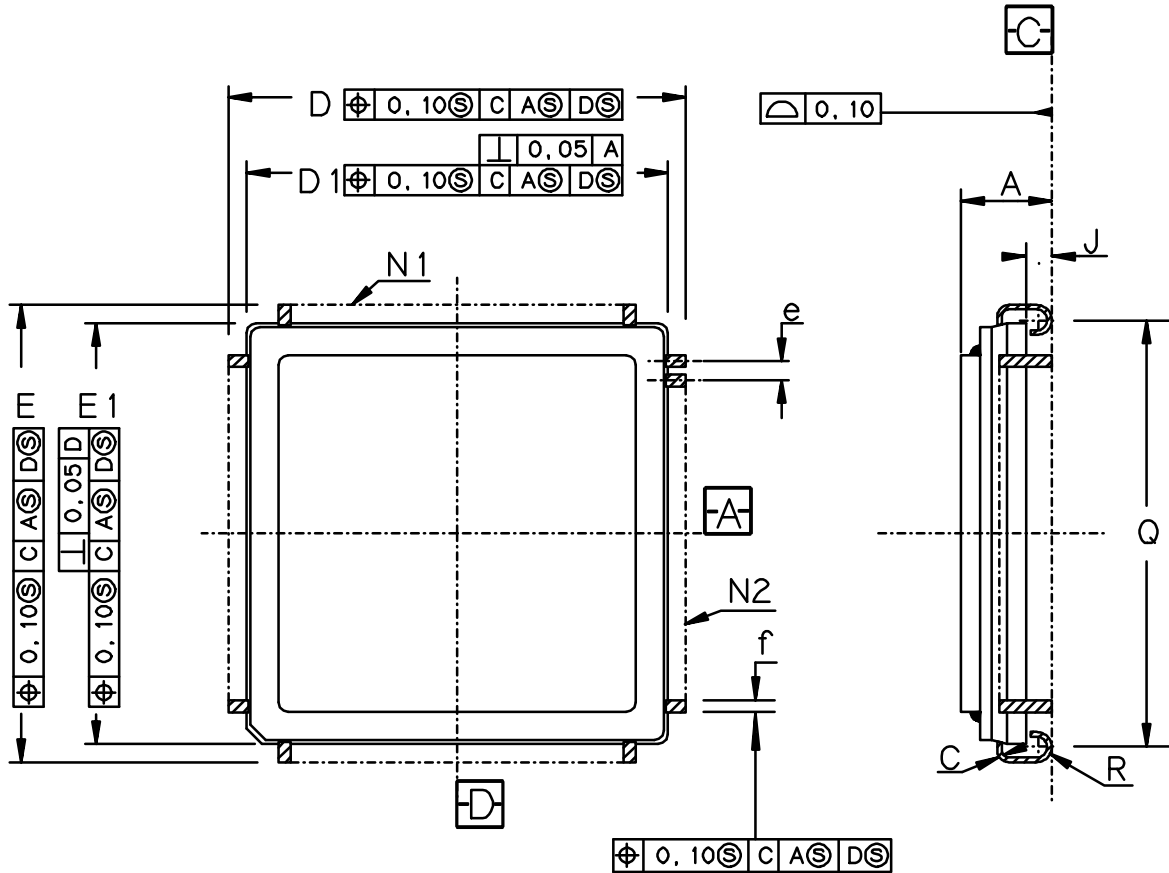
	MM		INCH	
	Min	Max	Min	Max
A	-	4.83	-	.190
C	0.15 TYP		.006 TYP	
D - E	19.89	20.14	.783	.793
D1 - E1	18.85	19.26	.742	.758
e	1.27 TYP		.050 TYP	
f	0.48 TYP		.019 TYP	
J	1.02 TYP		0.40 TYP	
Q	18.03	18.54	.710	.730
R	0.94 TYP		.037 TYP	
N1	13		13	
N2	13		13	

THIS PACKAGE DON'T EXIST IN MIL 38510

CODE : Q3

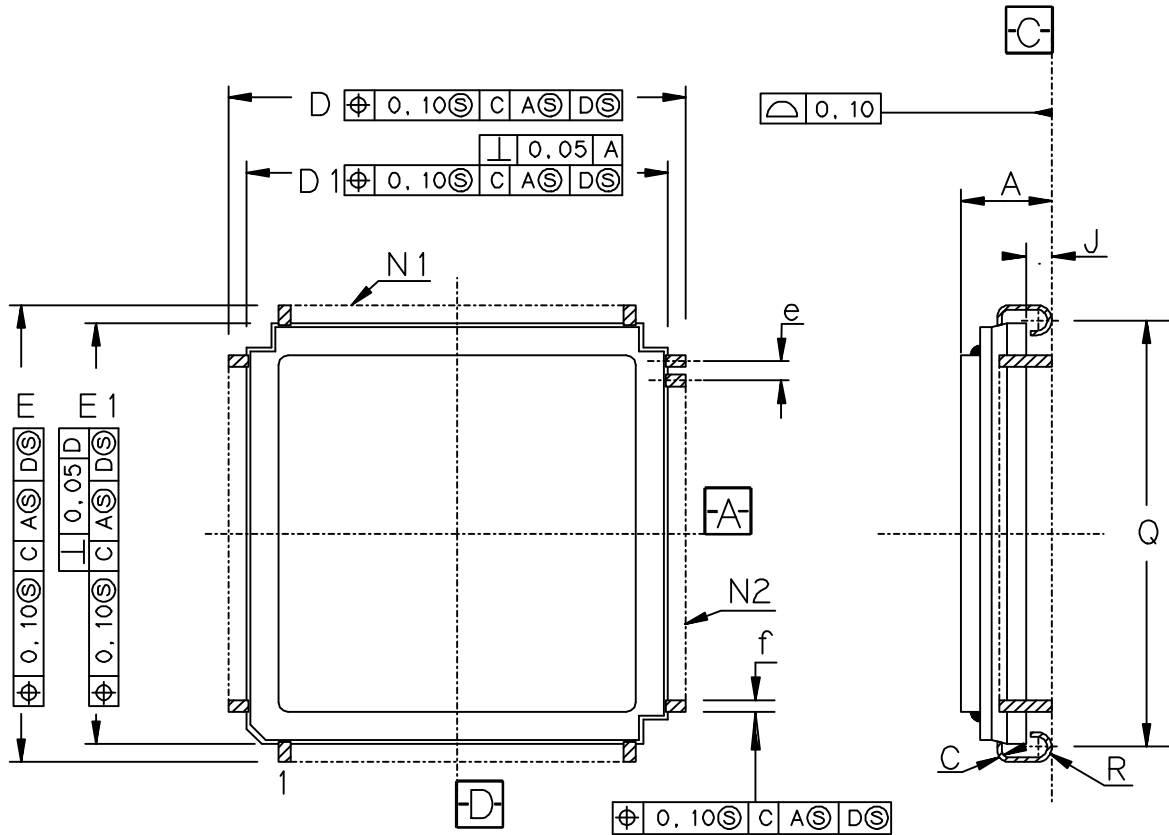
REV : 0 DATE : 28-11-91

68 LEAD CERQUAD PACK



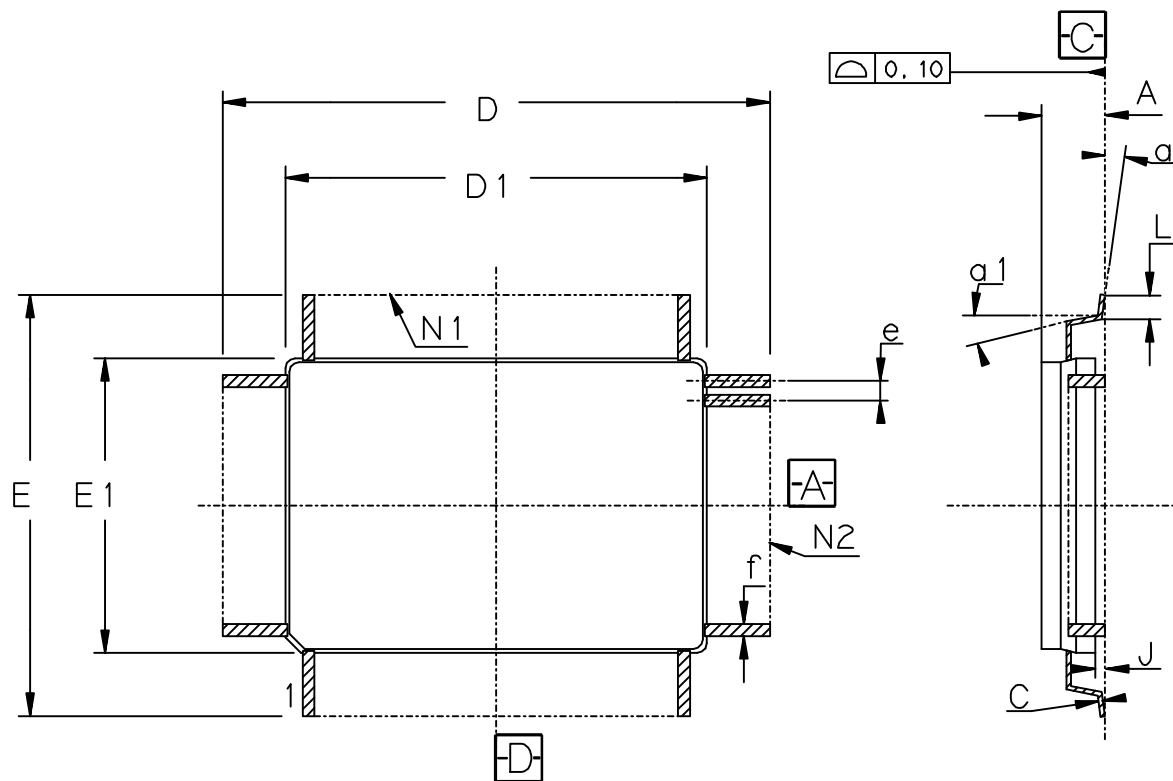
	MM		INCH	
	Min	Max	Min	Max
A	-	5.44	-	.214
C	0.15	0.25	.006	.010
D - E	25.02	25.17	.985	.991
D1 - E1	23.93	24.33	.942	.958
e	1.27 TYP		.050 TYP	
f	0.43	0.53	.017	.021
J	0.86	1.12	.034	.044
Q	23.11	23.62	.091	.093
R	0.86 TYP		.034 TYP	
N1	17		17	
N2	17		17	

68 LEAD CER QUAD PACK



	MM		INCH	
	Min	Max	Min	Max
A	-	5.44	-	.214
C	0.15	0.25	.006	.010
D - E	-	25.00	-	.984
D1 - E1	23.88	24.38	.940	.960
e	1.27 TYP		.050 TYP	
f	0.41	0.56	.016	.022
J	1.02 TYP		.040 TYP	
Q	23.11 TYP		.910 TYP	
R	0.94 TYP		.037 TYP	
N1	17		17	
N2	17		17	

80 LEAD CER QUAD PACK

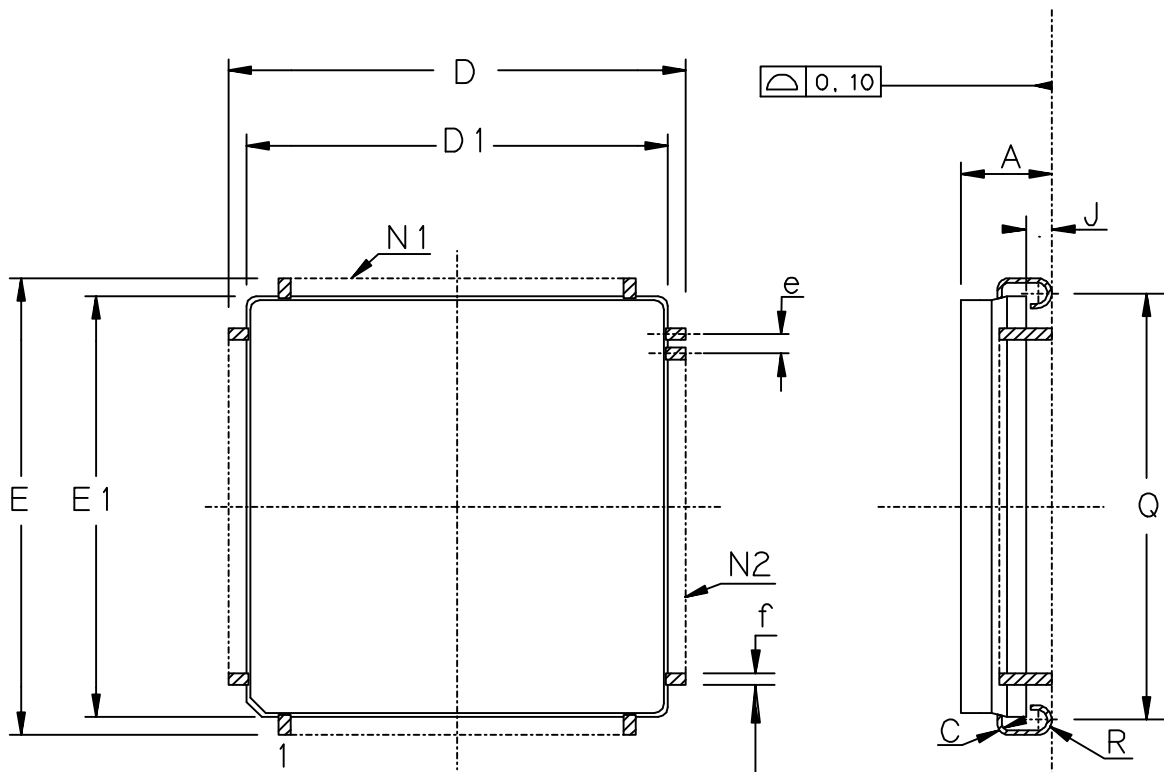


	MM		INCH	
	Min	Max	Min	Max
A	-	3.50	-	.138
C	0.15 TYP		.006 TYP	
D	23.76	24.48	.935	.964
D1	19.82	20.18	.780	.794
E	17.80	18.44	.701	.725
E1	13.86	14.14	.545	.557
e	0.80 BSC		.0315 BSC	
f	0.30	0.40	.011	.015
J	0.15	0.30	.006	.012
L	0.61	1.01	.024	.040
a	4°+- 4°			
a1	5°+- 5°			
N1	24		24	
N2	16		16	

CODE : LO

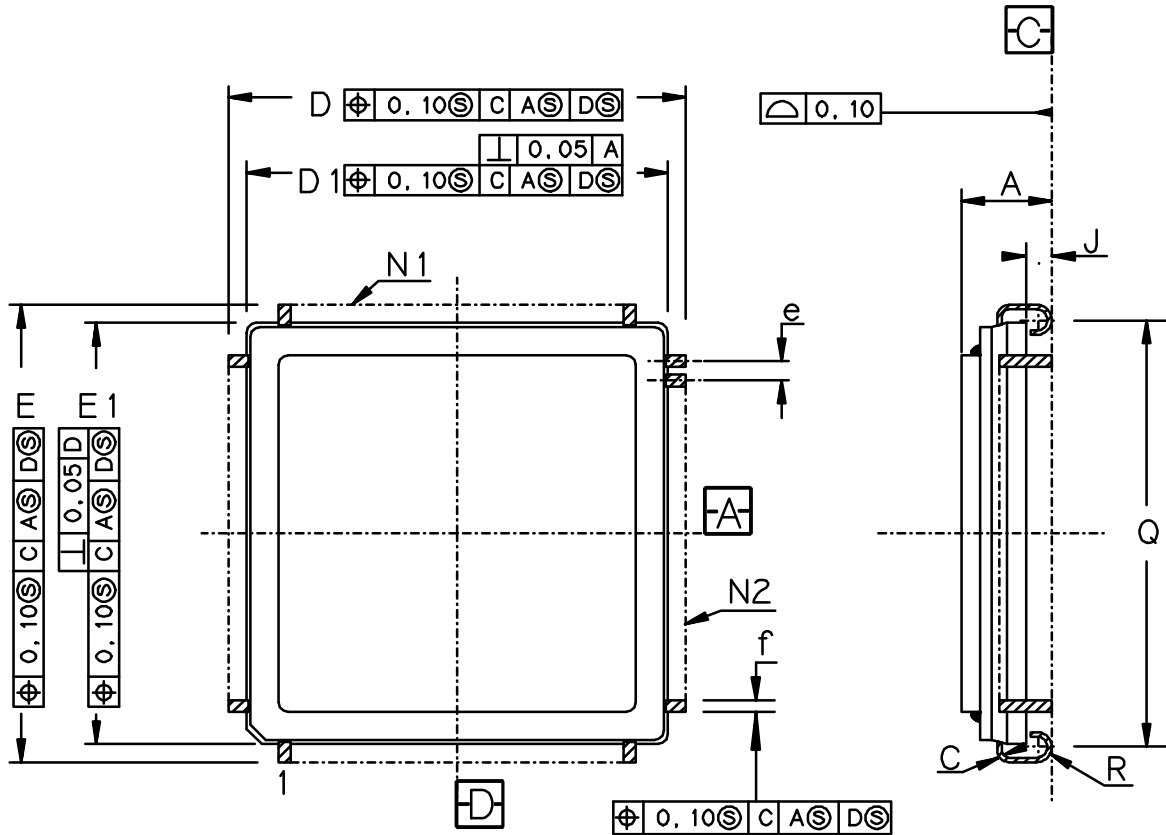
REV : 0 DATE : 28-11-91

84 LEAD CER QUAD PACK



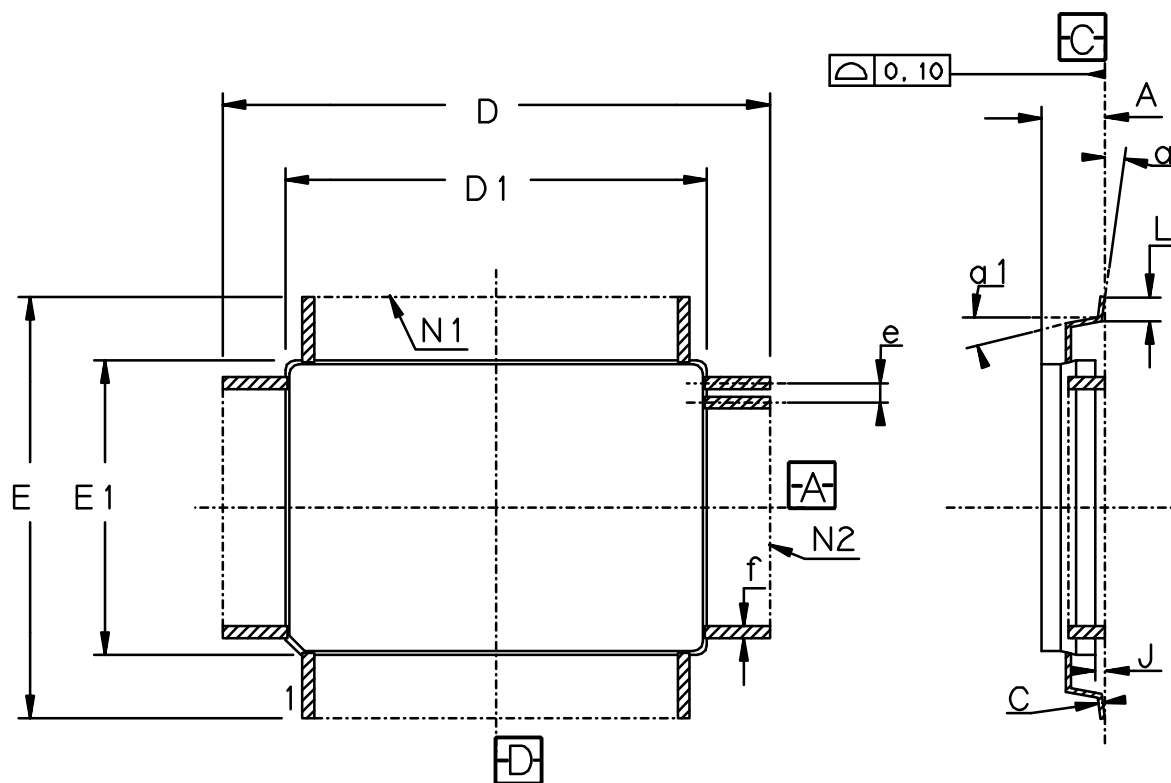
	MM		INCH	
	Min	Max	Min	Max
A	3.81	4.83	.150	.190
C	0.15 REF		.006 REF	
D - E	29.46	30.00	1.160	1.180
D1 - E1	28.91	29.51	1.138	1.162
e	1.27 TYP		.050 TYP	
f	0.43	0.53	.017	.021
J	1.02 TYP		.040 TYP	
Q	28.19 TYP		1.110 TYP	
R	0.94 TYP		.037 TYP	
N1	21		21	
N2	21		21	

84 LEAD CERQUAD PACK



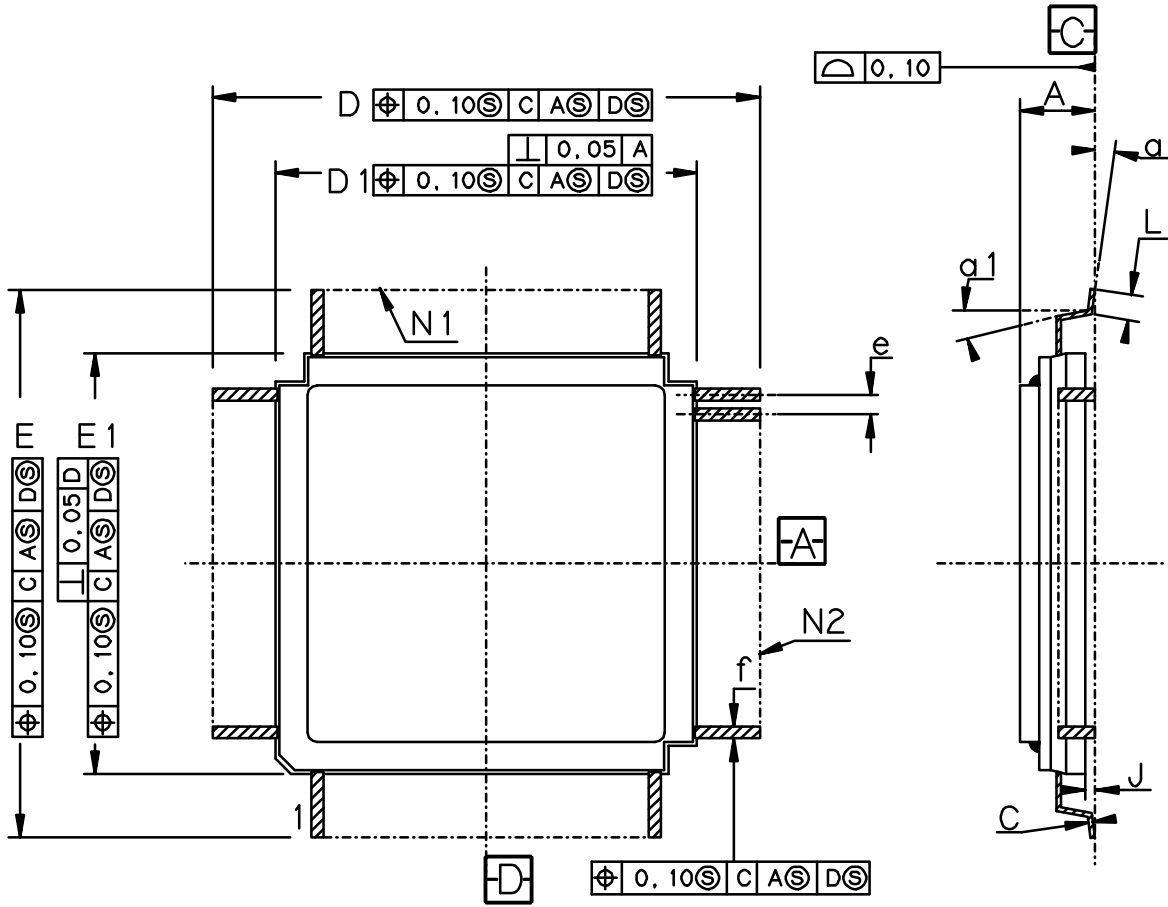
	MM		INCH	
	Min	Max	Min	Max
A	-	5.44	-	.214
C	0.15	0.25	.006	.010
D - E	-	30.20	-	1.189
D1 - E1	28.90	29.51	1.138	1.162
e	1.27 TYP		.050 TYP	
f	0.43	0.53	.017	.021
J	1.02 TYP		.040 TYP	
Q	28.19 TYP		1.110 TYP	
R	0.94 TYP		.037 TYP	
N1	21		21	
N2	21		21	

100 LEAD CERQUAD PACK



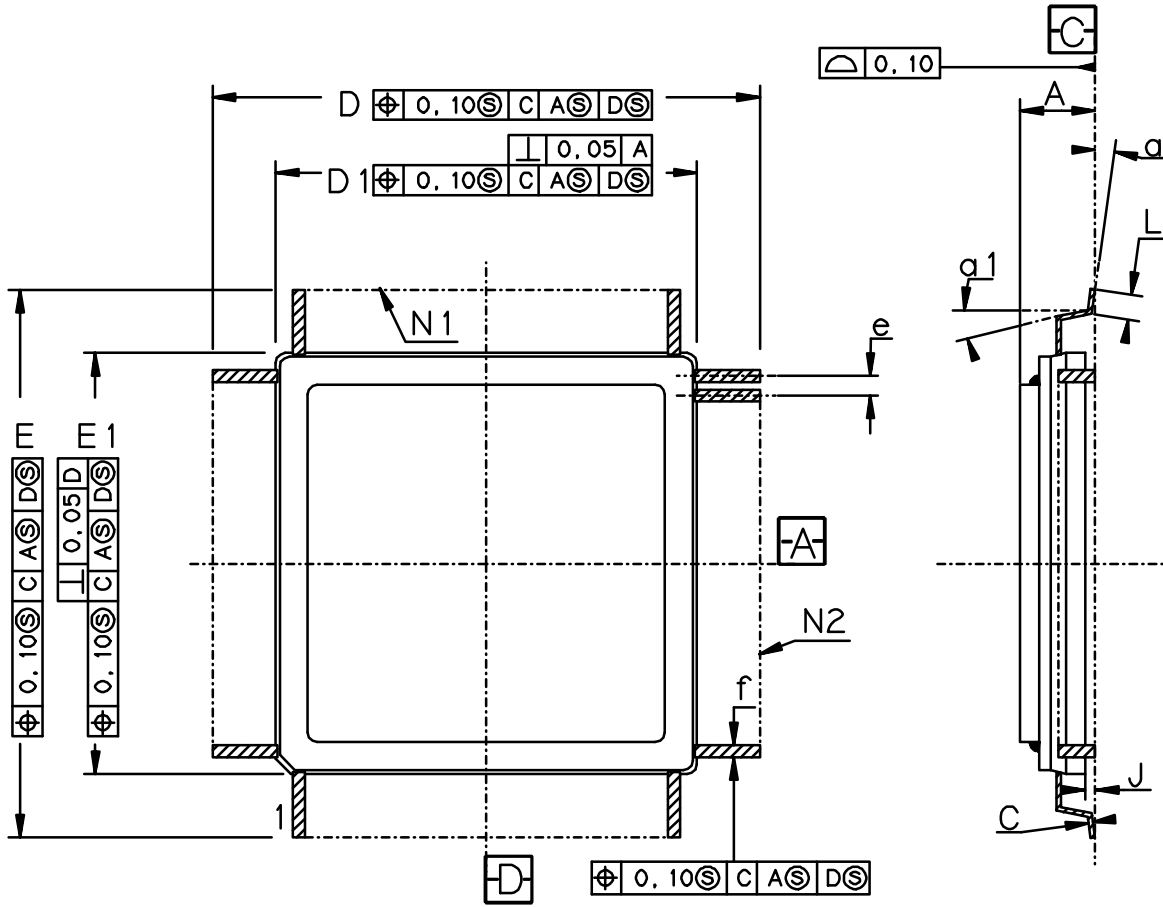
	MM		INCH	
	Min	Max	Min	Max
A	-	3.68	-	.145
C	0.15 TYP		.006 TYP	
D	23.76	24.48	.935	.964
D1	19.82	20.18	.780	.794
E	17.80	18.44	.701	.725
E1	13.86	14.14	.545	.557
e	0.65 BSC		.0256 BSC	
f	0.30	0.40	.011	.015
J	0.15	0.30	.006	.012
L	0.61	1.01	.024	.040
a	4°+- 4°			
a1	5°+- 5°			
N1	30		30	
N2	20		20	

124 LEAD CERQUAD PACK.



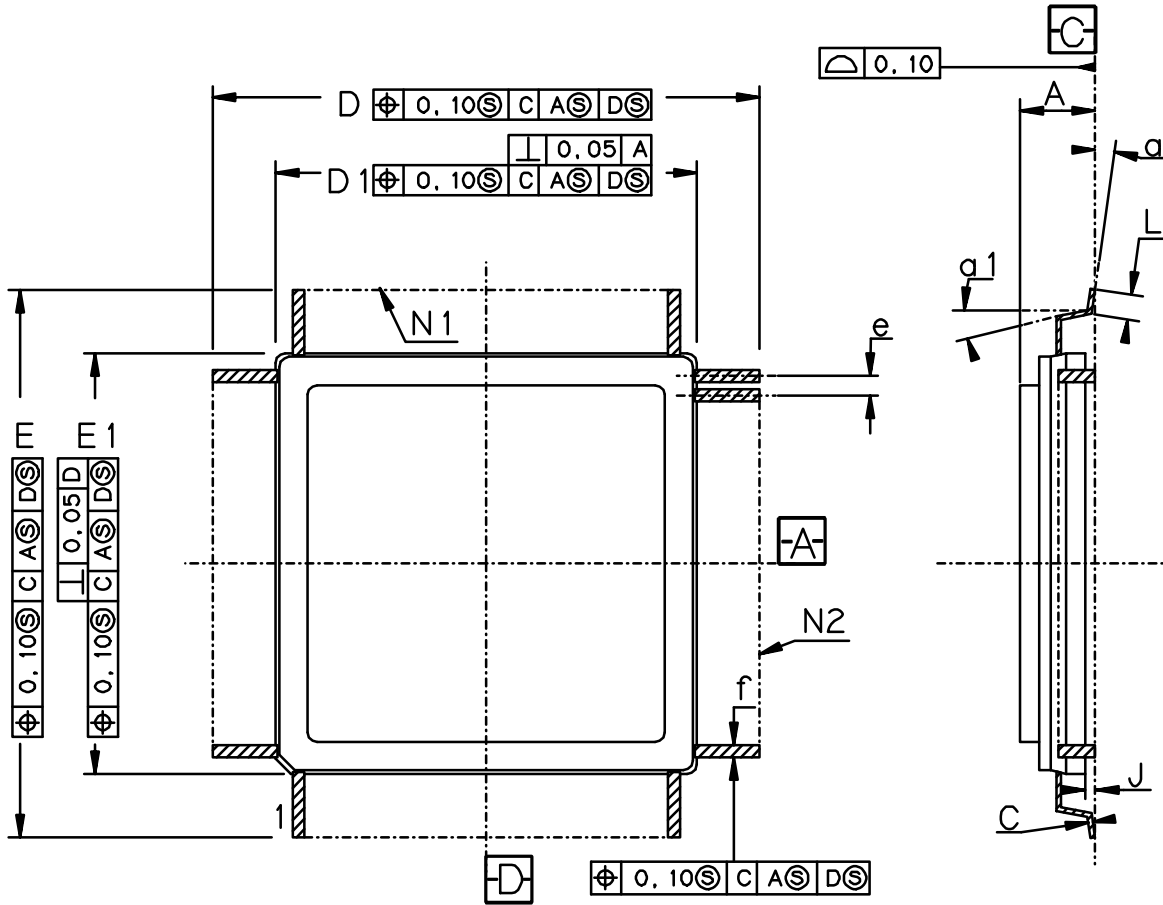
	MM		INCH	
	Min	Max	Min	Max
A	-	4.62	-	.182
C	0.15 TYP		.006 TYP	
D - E	27.36	28.26	1.077	1.112
D1 - E1	23.88	24.38	.940	.960
e	0.635 TYP		.025 TYP	
f	0.25	0.40	.010	.015
J	0.15	0.30	.006	.012
L	0.61	1.01	.024	.040
a	4°+- 4°			
a1	5°+- 5°			
N1 - N2	31		31	

128 LEAD CERQUAD PACK



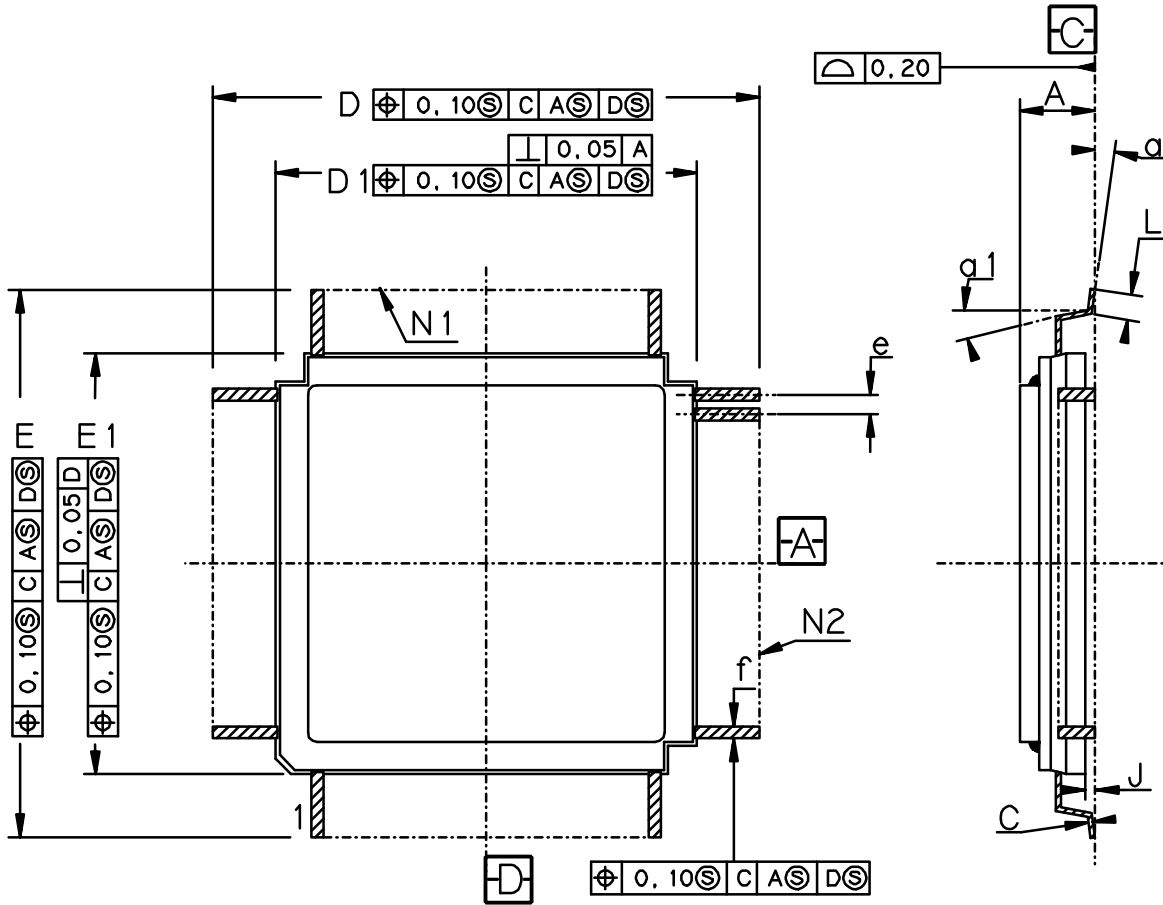
	MM		INCH	
	Min	Max	Min	Max
A	-	4.4	-	.173
C	0.15 TYP		.006 TYP	
D - E	31.72	32.68	1.249	1.287
D1 - E1	27.72	28.28	1.091	1.113
e	0.80 TYP		.0315 TYP	
f	0.25	0.55	.010	.022
J	0.15	0.30	.006	.012
L	0.61	1.01	.024	.040
a	4°+- 4°			
a1	5°+- 5°			
N1 - N2	32		32	

132 LEAD CERQUAD PACK



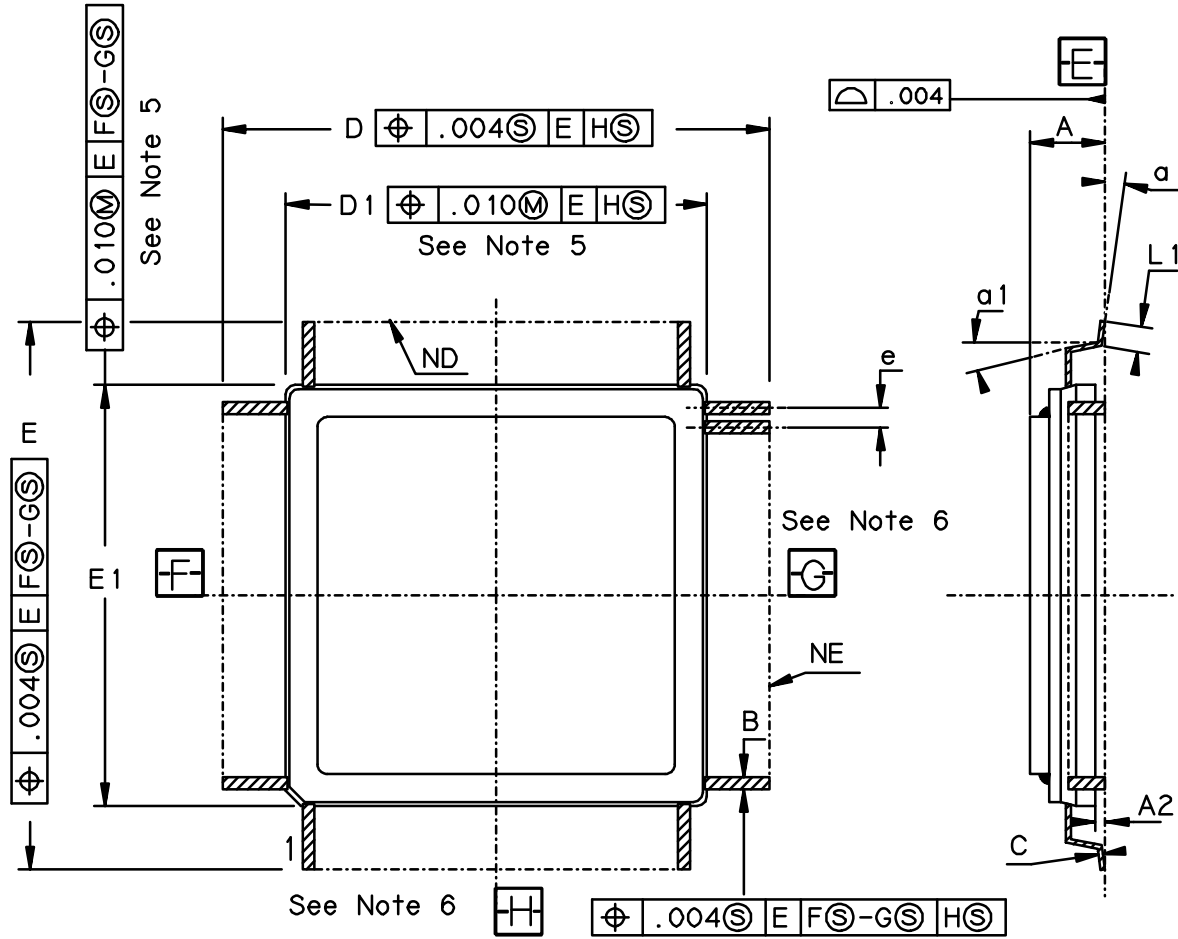
	MM		INCH	
	Min	Max	Min	Max
A	-	4.62	-	.182
C	0.15 TYP		.006 TYP	
D - E	27.36	28.26	1.077	1.112
D1 - E1	23.88	24.38	.940	.960
e	0.635 BSC		.025 BSC	
f	0.25	0.35	.010	.014
J	0.15	0.30	.006	.012
L	0.61	1.01	.024	.040
a	4°+- 4°			
a1	5°+- 5°			
N1 - N2	33		33	

132 LEAD CERQUAD PACK



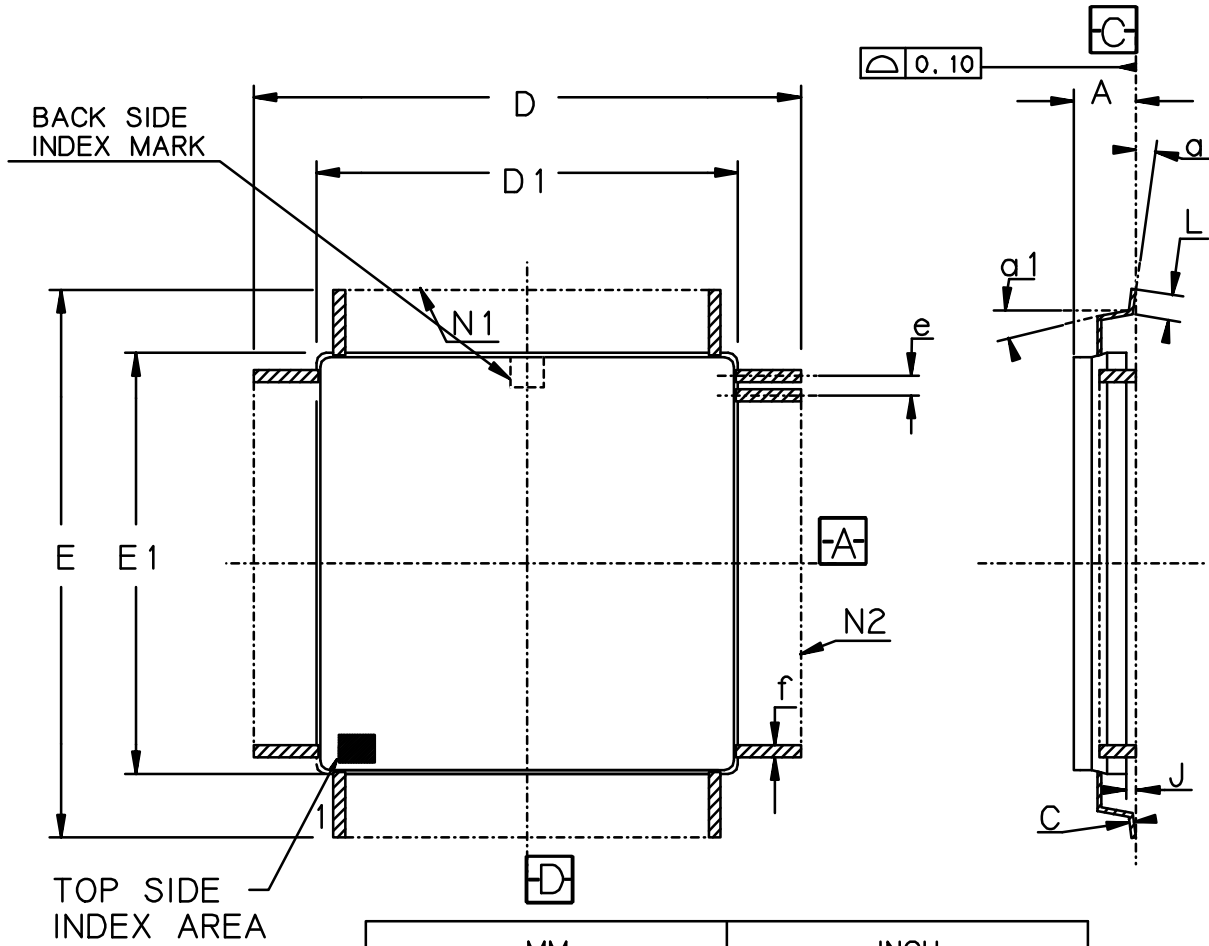
	MM		INCH	
	Min	Max	Min	Max
A	-	4.62	-	.182
C	0.15 TYP		.006 TYP	
D - E	27.36	28.26	1.077	1.112
D1 - E1	23.88	24.38	.940	.960
e	0.635 TYP		.025 TYP	
f	0.25	0.40	.010	.015
J	0.15	0.30	.006	.012
L	0.61	1.01	.024	.040
a	4°+- 4°			
a1	5°+- 5°			
N1 - N2	33		33	

160 LEAD CER QUAD PACK (EIAJ TYPE)



	MM		INCH	
	Min	Max	Min	Max
A	-	4.4	-	.173
A2	0.15	0.30	.006	.012
B	0.25	0.55	.010	.022
C	0.15 TYP		.006 TYP	
D - E	31.42	32.68	1.237	1.287
D1 - E1	26.92	28.28	1.059	1.113
e	0.65 TYP		.0256 TYP	
L1	0.61	1.01	.024	.040
a	4° ± 4°			
a1	5° ± 5°			
ND - NE	40		40	

196 LEAD CER QUAD PACK

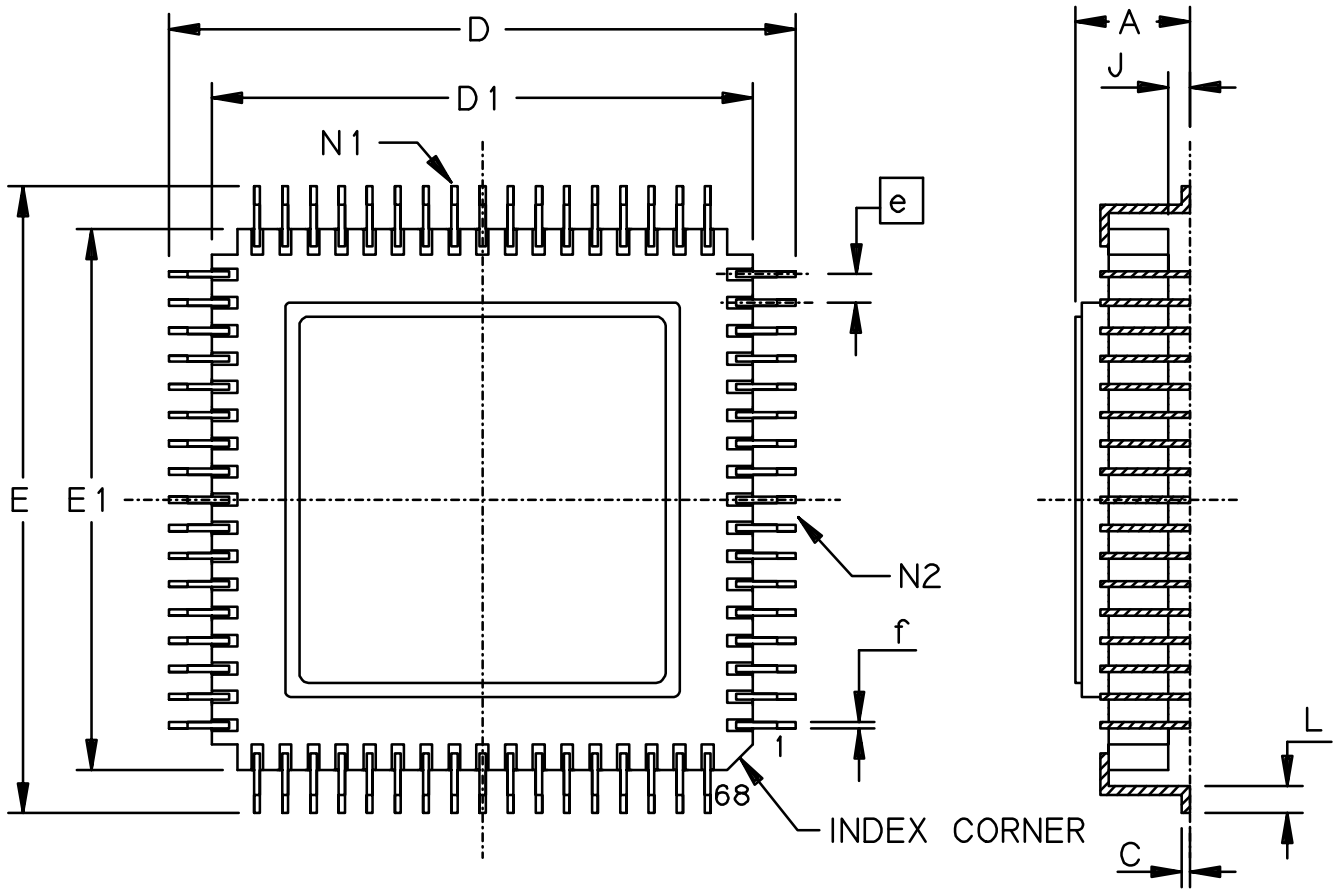


	MM		INCH	
	Min	Max	Min	Max
A	-	4.31	-	.170
C	0.15 TYP		.006 TYP	
D - E	38.74	39.74	1.526	1.564
D1- E1	31.70	32.30	1.248	1.272
e	0.635 TYP		.025 TYP	
f	0.25	0.37	.010	.014
J	0.15	0.30	.006	.012
L	0.61	1.01	.024	.040
a	4°+- 4°			
a1	5°+- 5°			
N1 - N2	49		49	

CODE : LX

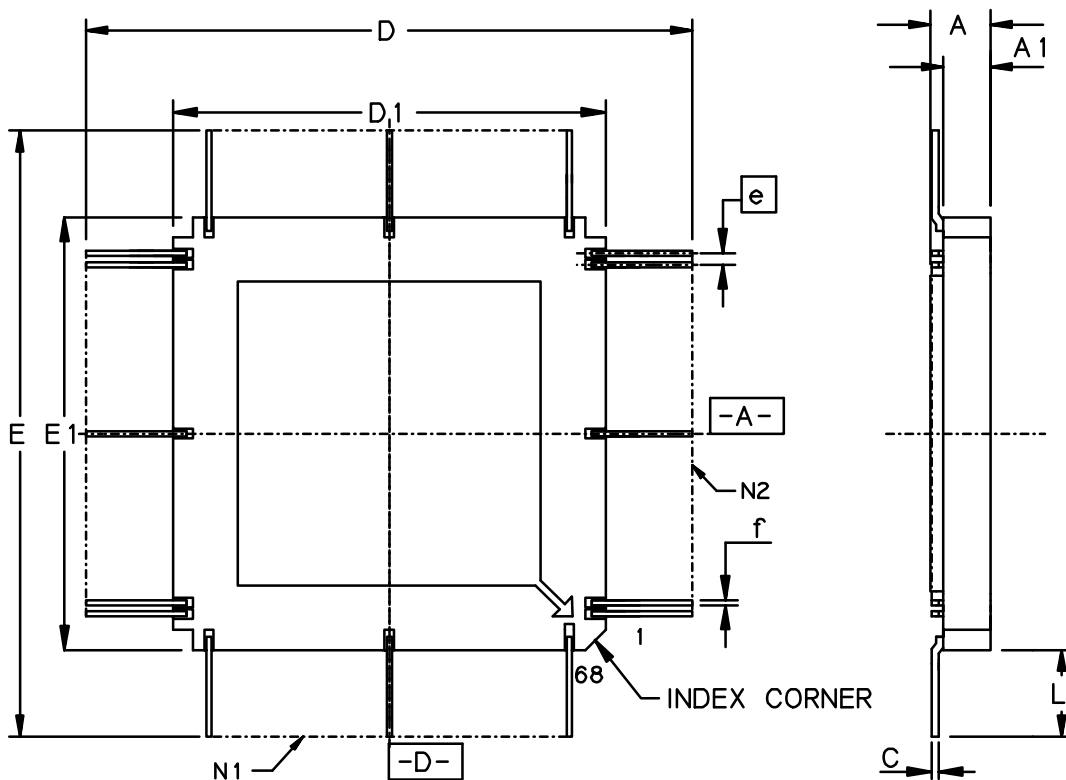
REV : A DATE : 10-11-94

68 LEAD FLAT PACK



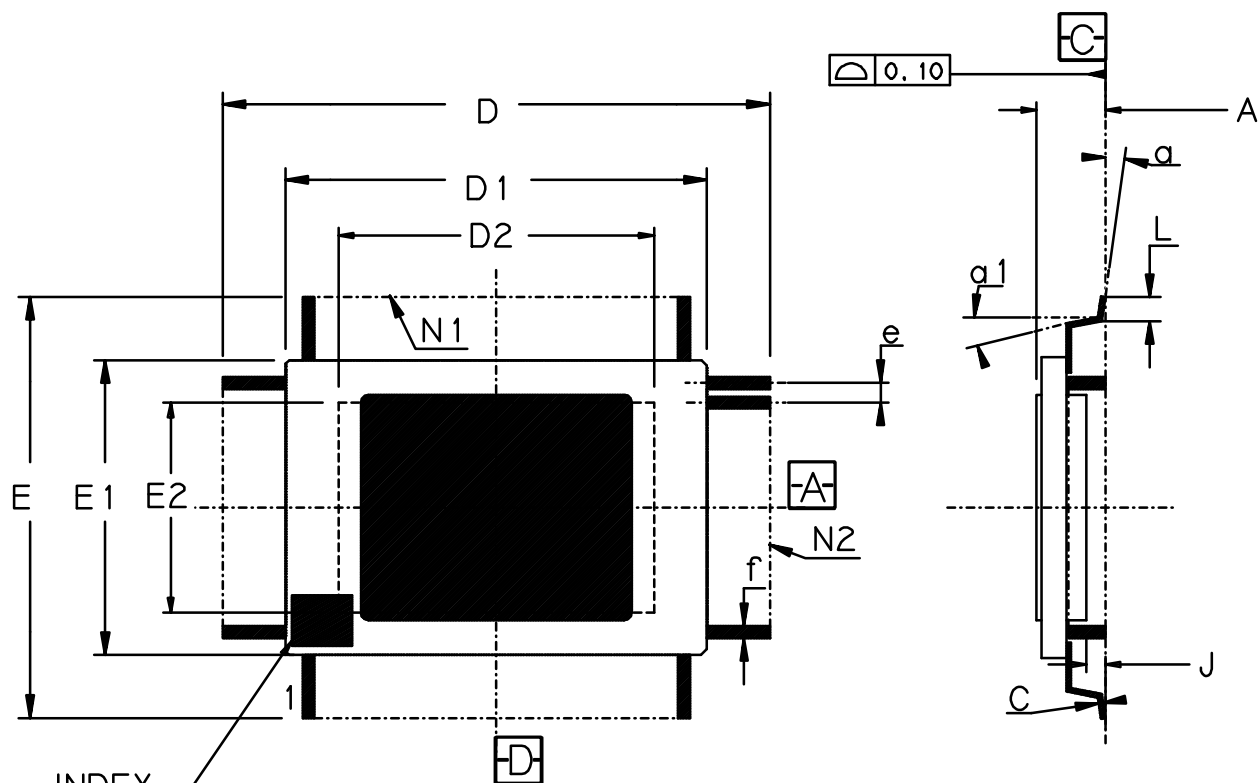
	MM		INCH	
	Min	Max	Min	Max
A	2.41	3.10	.095	.122
C	0.10	0.20	.004	.008
D	28.60	29.51	1.126	1.162
D1	24.00	24.51	.945	.965
E	28.60	29.51	1.126	1.162
E1	24.00	24.51	.945	.965
e	1.27 BSC		.050 BSC	
f	0.30 TYP		.012 TYP	
J	0.40	0.60	.015	.024
L	1.20	1.60	.047	.063
N1	17		17	
N2	17		17	

68 LEAD FLAT PACK



	mm		mils	
	Min	Max	Min	Max
A	2.21	2.54	.072	.100
C	0.10	0.20	.004	.008
D	41.66	47.50	1.640	1.870
D1	23.75	24.51	0.935	0.965
E	41.66	47.50	1.640	1.870
E1	23.75	24.51	0.935	0.965
e	1.270 BSC		.050 BSC	
f	0.30 BSC		.012 BSC	
A1	1.82	2.24	.072	.088
L	8.890	11.43	.350	.450
N1	17		17	
N2	17		17	

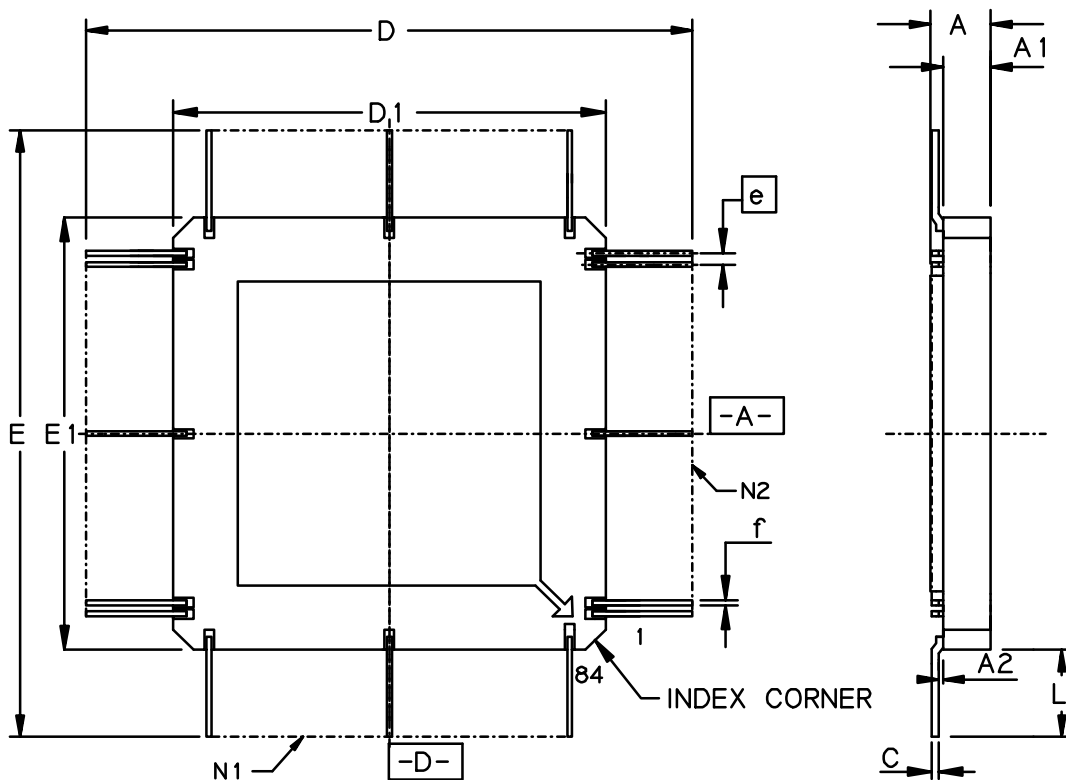
80 LEAD MQFPL



INDEX AREA

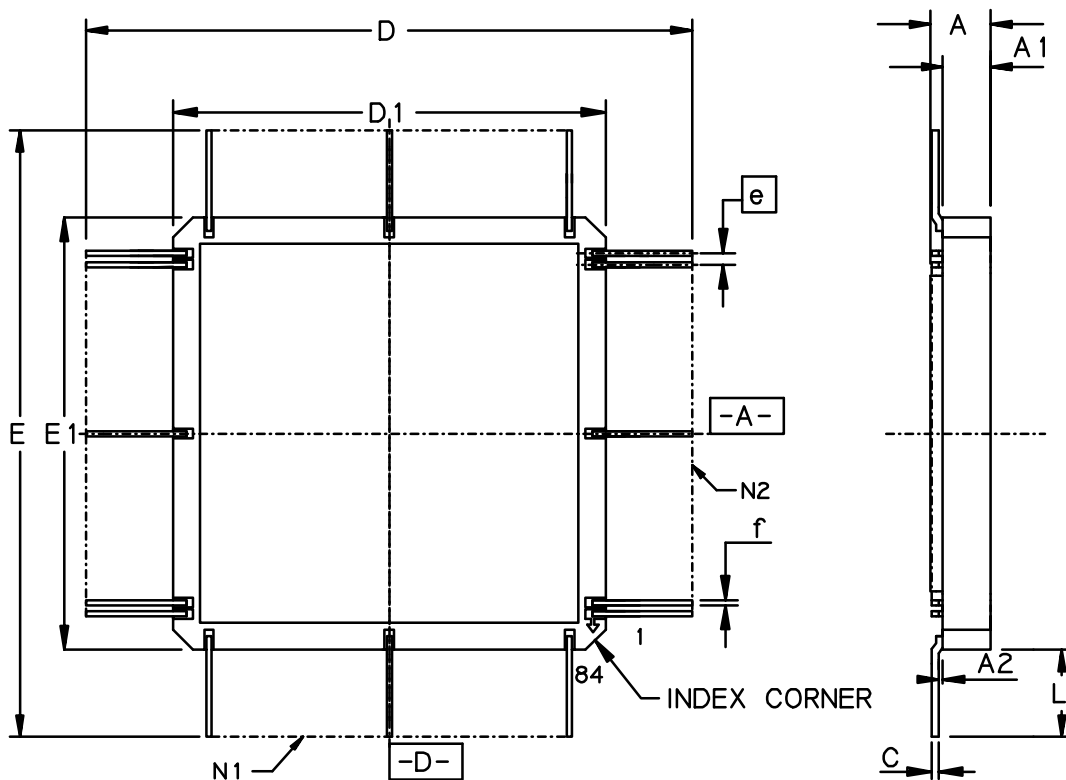
	Min	MM	Max	Min	INCH	Max
A	-		3.81	-		.150
C	0.15 TYP			.006 TYP		
D	23.76		24.48	.935		.964
D1	19.80		20.20	.780		.795
E	17.80		18.44	.701		.725
E1	13.85		14.15	.545		.557
e	0.80 BSC			.0315 BSC		
f	0.27		0.37	.010		.015
J	0.10		0.36	.004		.014
L	0.61		1.01	.024		.040
D2	15.87		16.13	.624		.635
E2	9.87		10.13	.388		.399
	$\alpha = 4^{\circ} \pm 4^{\circ}$			$\alpha 1 = 5^{\circ} \pm 5^{\circ}$		
	N1=24			N2=16		

84 LEAD FLAT PACK



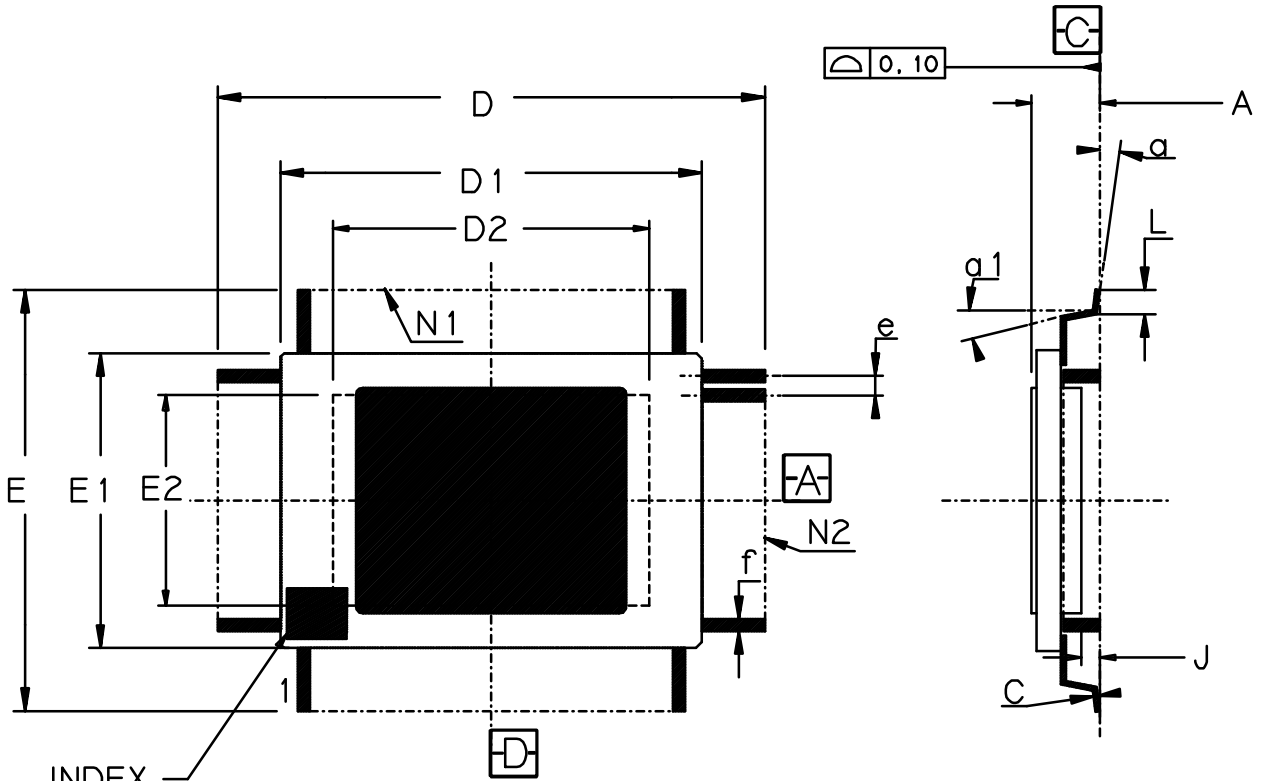
	mm		mils	
	Min	Max	Min	Max
A	1.80	2.44	.071	.096
C	0.10	0.20	.004	.008
D	33.66	34.93	1.325	1.375
D1	16.38	16.64	0.645	0.655
E	33.65	34.93	1.325	1.375
E1	16.38	16.64	0.645	0.655
e	0.635 BSC		.025 BSC	
f	0.20	0.30	.008	.012
A1	1.17	1.80	.046	.071
A2	0.05	0.36	.002	.014
L	8.636	9.144	.340	.360
N1	21		21	
N2	21		21	

84 LEAD FLAT PACK



	mm		INCH	
	Min	Max	Min	Max
A	2.05	2.89	.081	.114
C	0.22	0.31	.009	.012
D	48.77	50.28	1.920	1.980
D1	28.96	29.46	1.140	1.160
E	48.77	50.28	1.920	1.980
E1	28.96	29.46	1.140	1.160
e	1.270 BSC		.050 BSC	
f	0.457 REF		.018 REF	
A1	1.82	2.67	.072	.105
A2	0.356 MAX		.014 MAX	
L	8.84	11.43	.348	.450
N1	21		21	
N2	21		21	

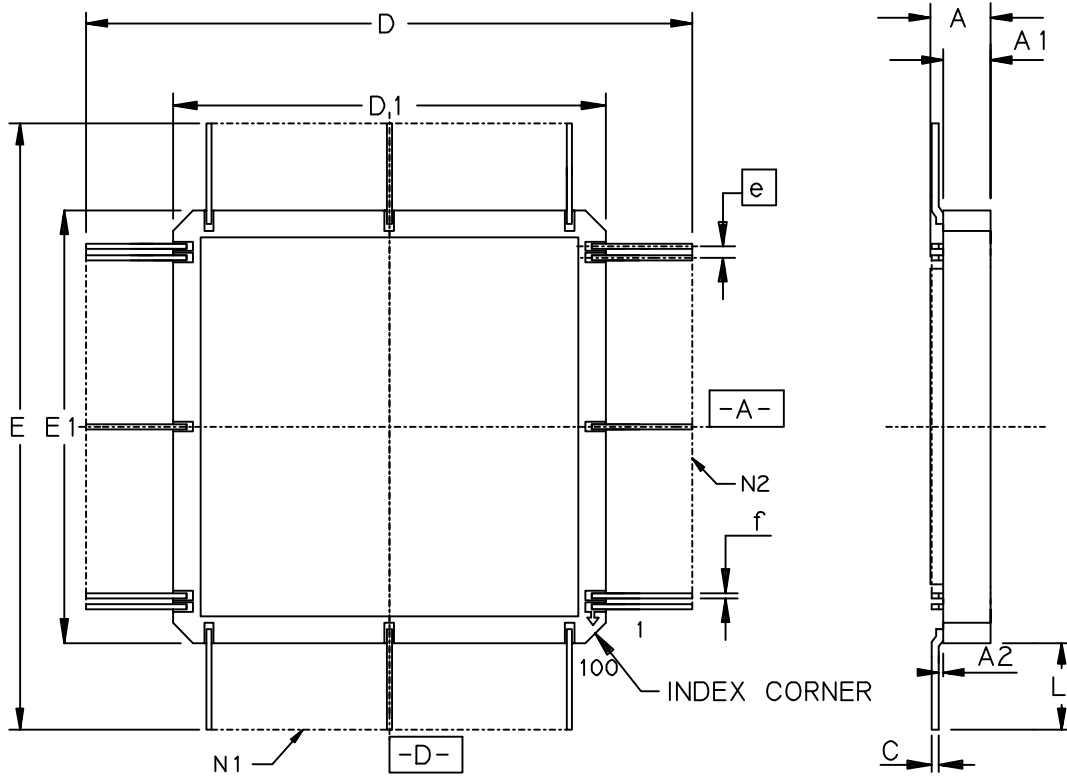
100 LEAD MQFPL



INDEX AREA

	Min	MM	Max	Min	INCH	Max
A	-		3.81	-		.150
C	0.15 TYP			.006 TYP		
D	23.76		24.48	.935		.964
D1	19.80		20.20	.780		.795
E	17.80		18.44	.701		.725
E1	13.85		14.15	.545		.557
e	0.65 BSC			.0256 BSC		
f	0.22		0.38	.008		.015
J	0.10		0.36	.004		.014
L	0.61		1.01	.024		.040
D2	15.87		16.13	.624		.635
E2	9.87		10.13	.388		.399
		$\alpha = 4^\circ \pm 4^\circ$				$\alpha 1 = 5^\circ \pm 5^\circ$
		N1=30				N2=20

100 LEAD FLAT PACK

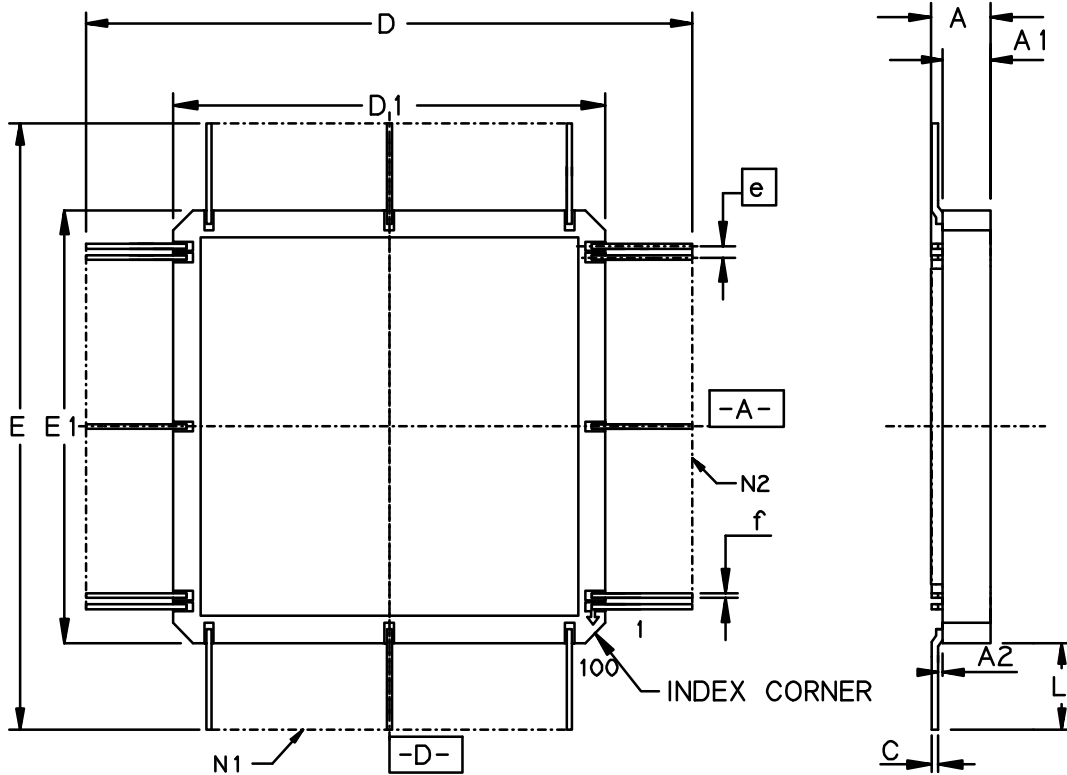


	Min	Max	Min	Max
A	1.86	2.21	.073	.087
C	0.15	0.20	.006	.008
D	31.80	32.80	1.252	1.291
D1	18.80	19.30	.740	.760
E	31.80	32.80	1.252	1.450
E1	18.80	19.30	.740	.760
e	0.635 BSC		.025 BSC	
f	0.254 REF		.010 REF	
A1	1.47	1.82	.058	.072
A2	0.203 REF		.008 REF	
L	6.50	6.75	.256	.266
N1	25		25	
N2	25		25	

CODE : KS

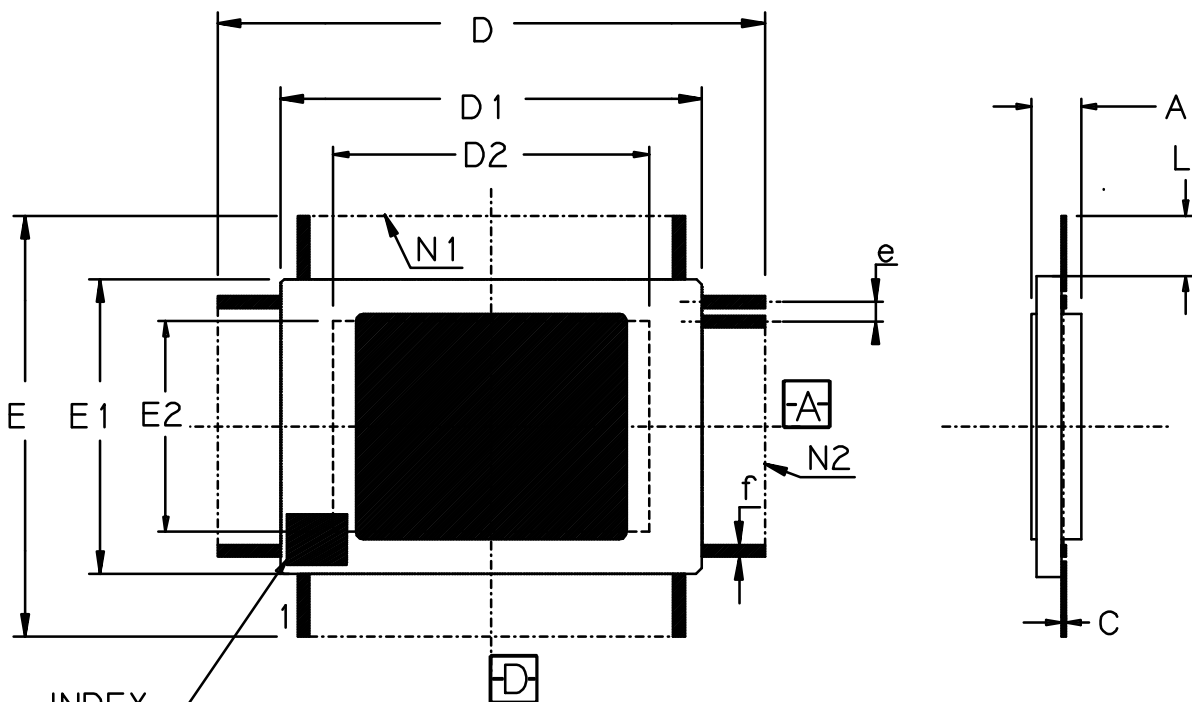
REV : A | DATE : 07-04-92

100 LEAD FLAT PACK



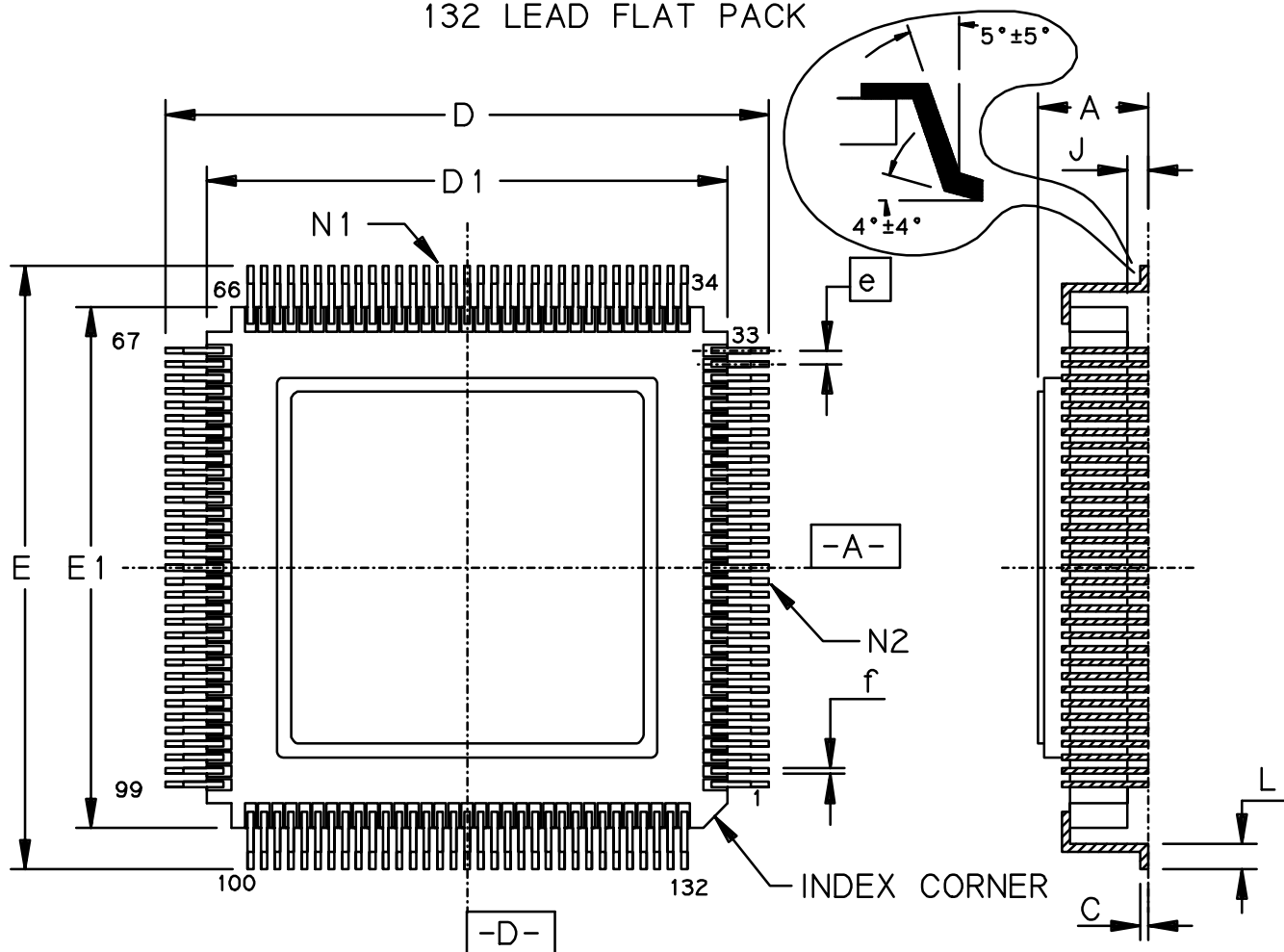
	Min	Max	Min	Max
A	2.21	2.67	.087	.105
C	0.15	0.20	.006	.008
D	31.80	32.80	1.252	1.291
D1	18.80	19.30	.740	.760
E	31.80	32.80	1.252	1.450
E1	18.80	19.30	.740	.760
e	0.635 BSC		.025 BSC	
f	0.254 REF		.010 REF	
A1	1.83	2.24	.072	.088
A2	0.203 REF		.008 REF	
L	6.50	6.75	.256	.266
N1	25		25	
N2	25		25	

100 LEAD MQFPF

INDEX
AREA

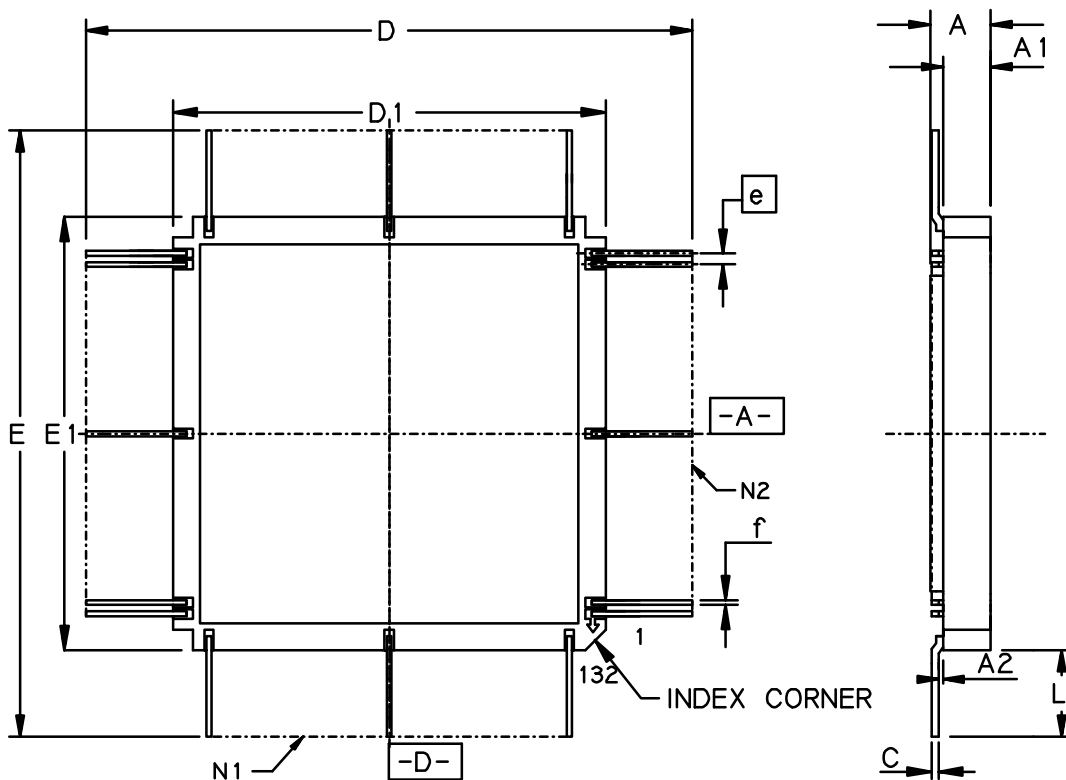
	MM		INCH	
	Min	Max	Min	Max
A	-	3.30	-	.130
C	0.15 TYP		.006 TYP	
D	27.50	28.50	1.08	1.12
D1	19.80	20.20	.780	.795
E	21.50	22.50	.846	.886
E1	13.85	14.15	.545	.557
e	0.65 BSC		.0256 BSC	
f	0.22	0.38	.008	.015
L	3.70	4.30	.146	.170
D2	15.87	16.13	.624	.635
E2	9.87	10.13	.388	.399
	N1=30		N2=20	

132 LEAD FLAT PACK



	MM		INCH	
	Min	Max	Min	Max
A	2.46	3.12	.097	.123
C	0.152 TYP		.006 TYP	
D	27.36	28.26	1.077	1.113
D1	24.00	24.38	.945	.960
E	27.36	28.26	1.077	1.113
E1	24.00	24.38	.945	.960
e	0.635 BSC		.025 BSC	
f	0.20 REF		.008 REF	
J	0.15	0.30	.006	.012
L	0.61	1.01	.024	.040
N1	33		33	
N2	33		33	

132 LEAD FLAT PACK

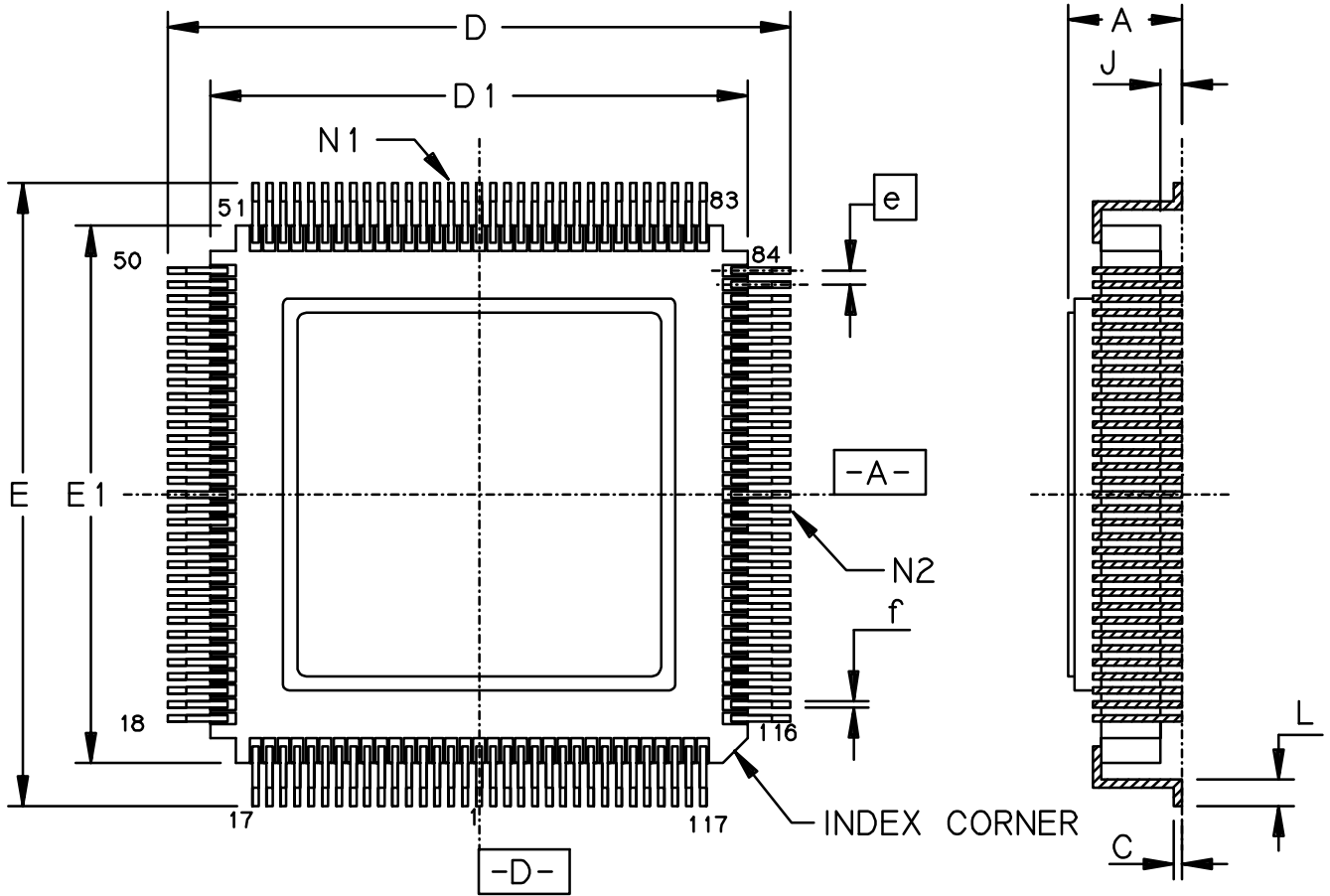


	Min	Max	Min	Max
A	2.36	2.82	.093	.111
C	0.152 TYP.		.006 TYP.	
D	37.00	39.38	1.457	1.550
D1	24.00	24.38	.945	.960
E	37.00	39.38	1.457	1.550
E1	24.00	24.38	.945	.960
e	0.635 BSC		.025 BSC	
f	0.200 REF		.008 REF	
A1	1.47	1.83	.058	.072
A2	0.203 REF		.008 REF	
L	6.50	7.50	.256	.295
N1	33		33	
N2	33		33	

CODE : KN

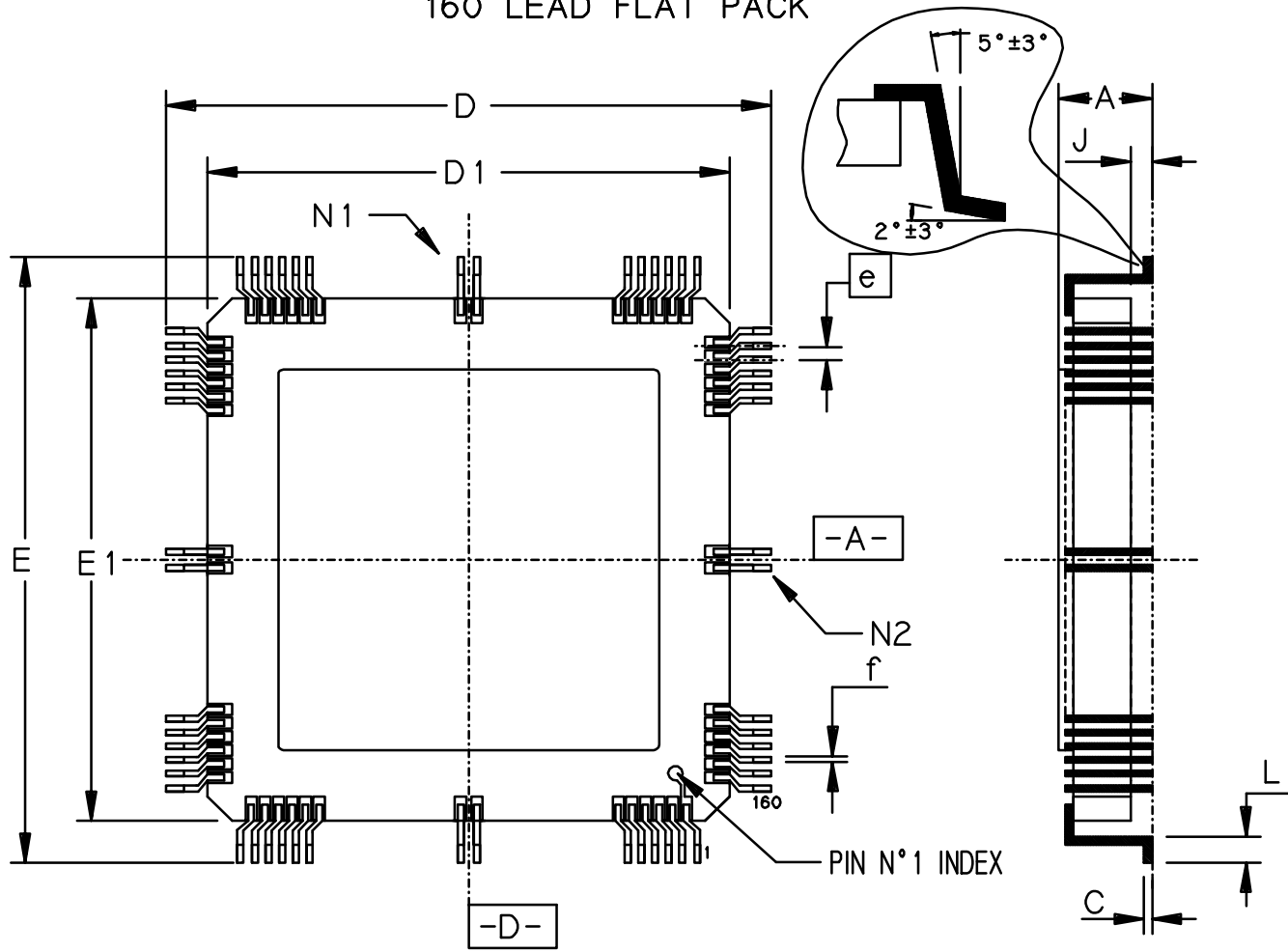
REV : 0 DATE : 03-05-95

132 LEAD FLAT PACK



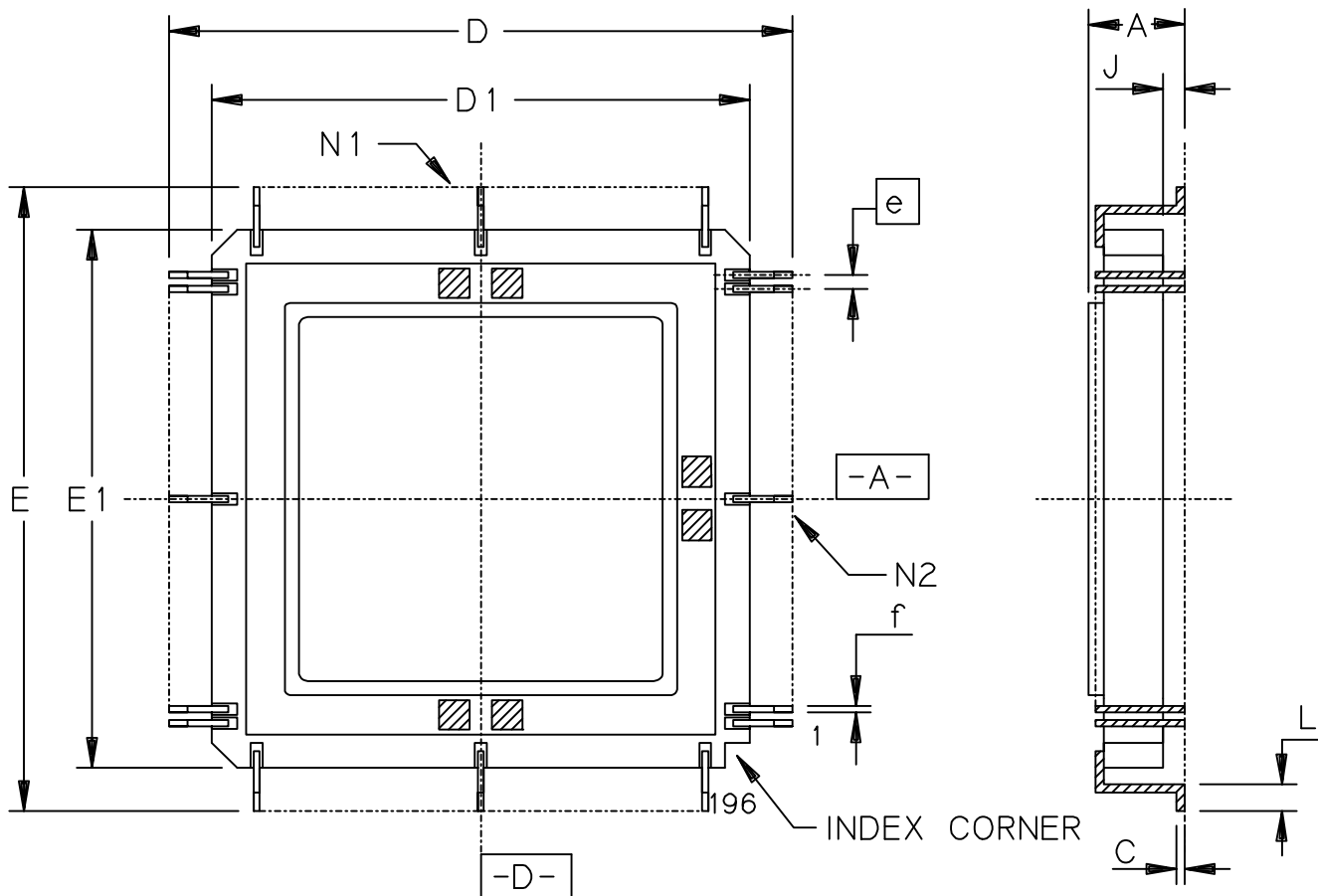
	MM		INCH	
	Min	Max	Min	Max
A	2.24	2.79	.088	.110
C	0.127 TYP		.005 TYP	
D	27.36	28.26	1.077	1.113
D1	24.00	24.38	.945	.960
E	27.36	28.26	1.077	1.113
E1	24.00	24.38	.945	.960
e	0.635 BSC		.025 BSC	
f	0.36 REF		.014 REF	
J	0.15	0.30	.006	.012
L	0.61	1.01	.024	.040
N1	33		33	
N2	33		33	

160 LEAD FLAT PACK



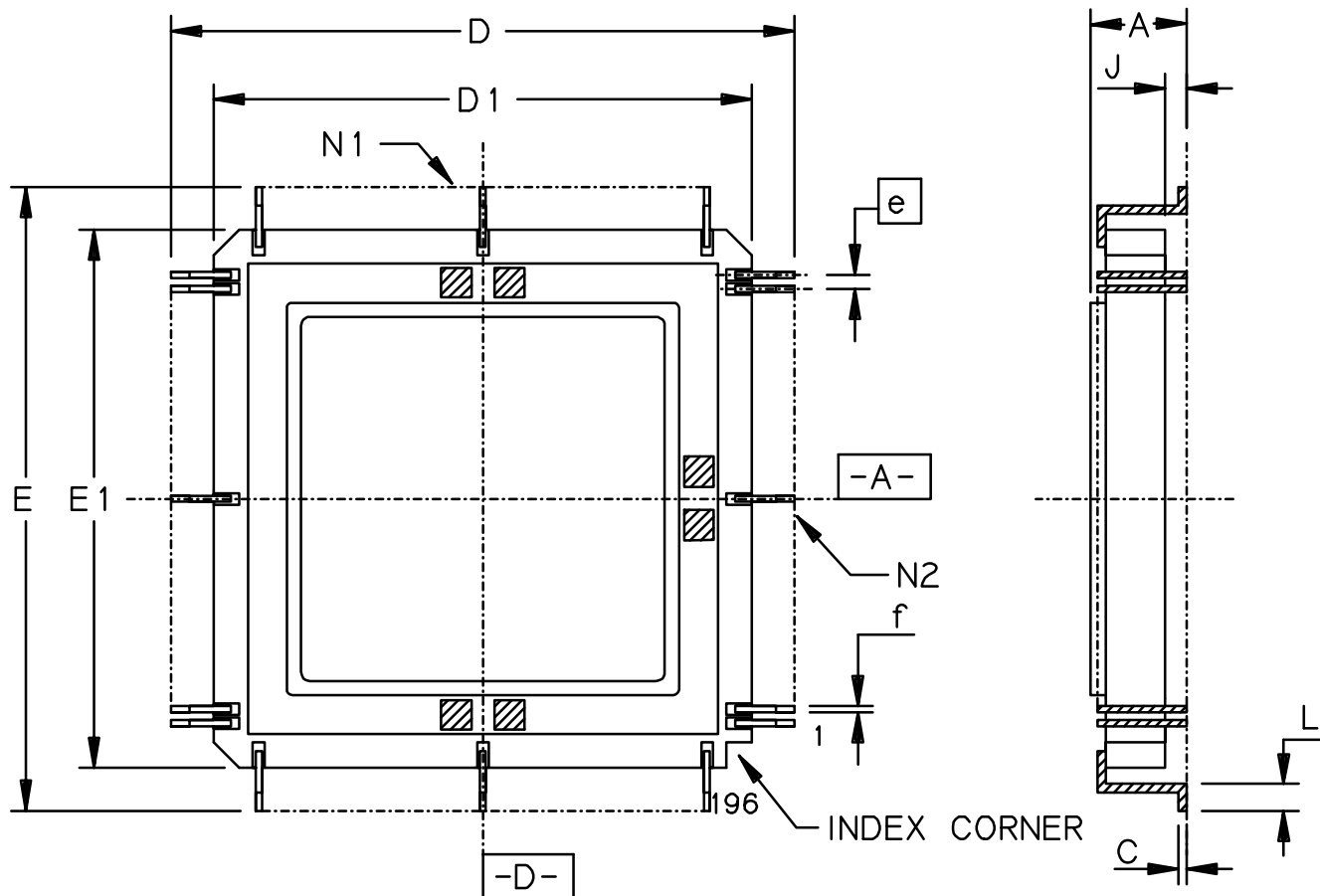
	MM		INCH	
	Min	Max	Min	Max
A	2.44	3.60	.096	.142
C	0.15 TYP		.006 TYP	
D	31.93	32.67	1.257	1.286
D1	26.93	27.47	1.060	1.082
E	31.93	32.67	1.257	1.286
E1	26.93	27.47	1.060	1.082
e	0.65 BSC		.0256 BSC	
f	0.30 REF		.012 REF	
J	0.50	1.00	.020	.040
L	1.21	1.41	.047	.056
N1	40		40	
N2	40		40	

196 LEAD FLAT PACK



	Min	Max	Min	Max
A	-	2.95	-	.116
C	0.20 TYP		.008 TYP	
D	-	39.75	-	1.565
D1	-	34.54	-	1.360
E	-	39.75	-	1.565
E1	-	34.54	-	1.360
e	0.635 BSC		.025 BSC	
f	0.28 REF		.011 REF	
J	0.15	0.30	.006	.012
L	0.61	1.01	.024	.040
N1	49		49	
N2	49		49	

196 LEAD FLAT PACK

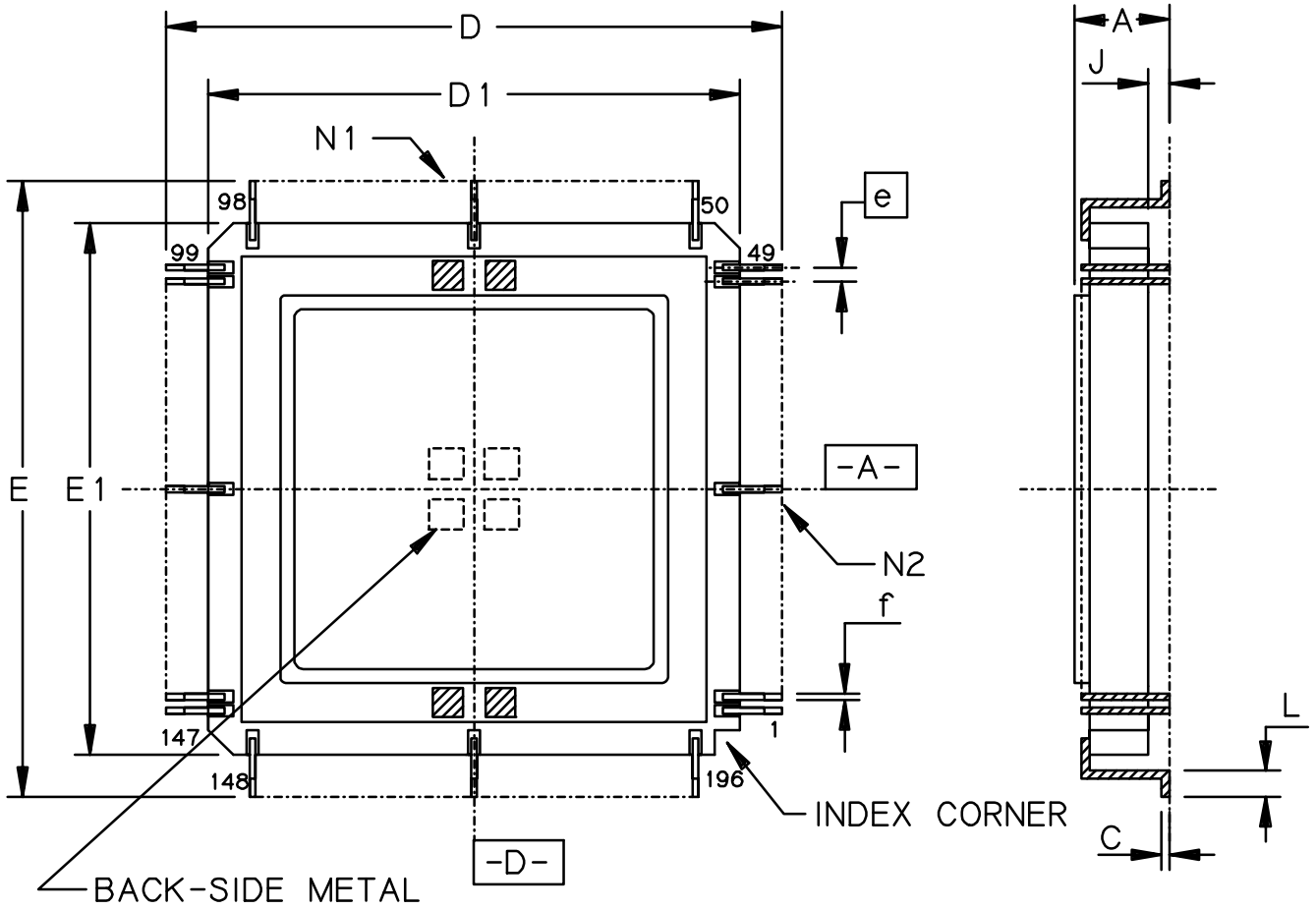


	Min	Max	Min	Max
A	-	2.95	-	.116
C	0.20 TYP		.008 TYP	
D	-	39.75	-	1.565
D1	-	34.54	-	1.360
E	-	39.75	-	1.565
E1	-	34.54	-	1.360
e	0.635 BSC		.025 BSC	
f	0.28 REF		.011 REF	
J	0.15	0.30	.006	.012
L	0.61	1.01	.024	.040
N1	49		49	
N2	49		49	

CODE : FX

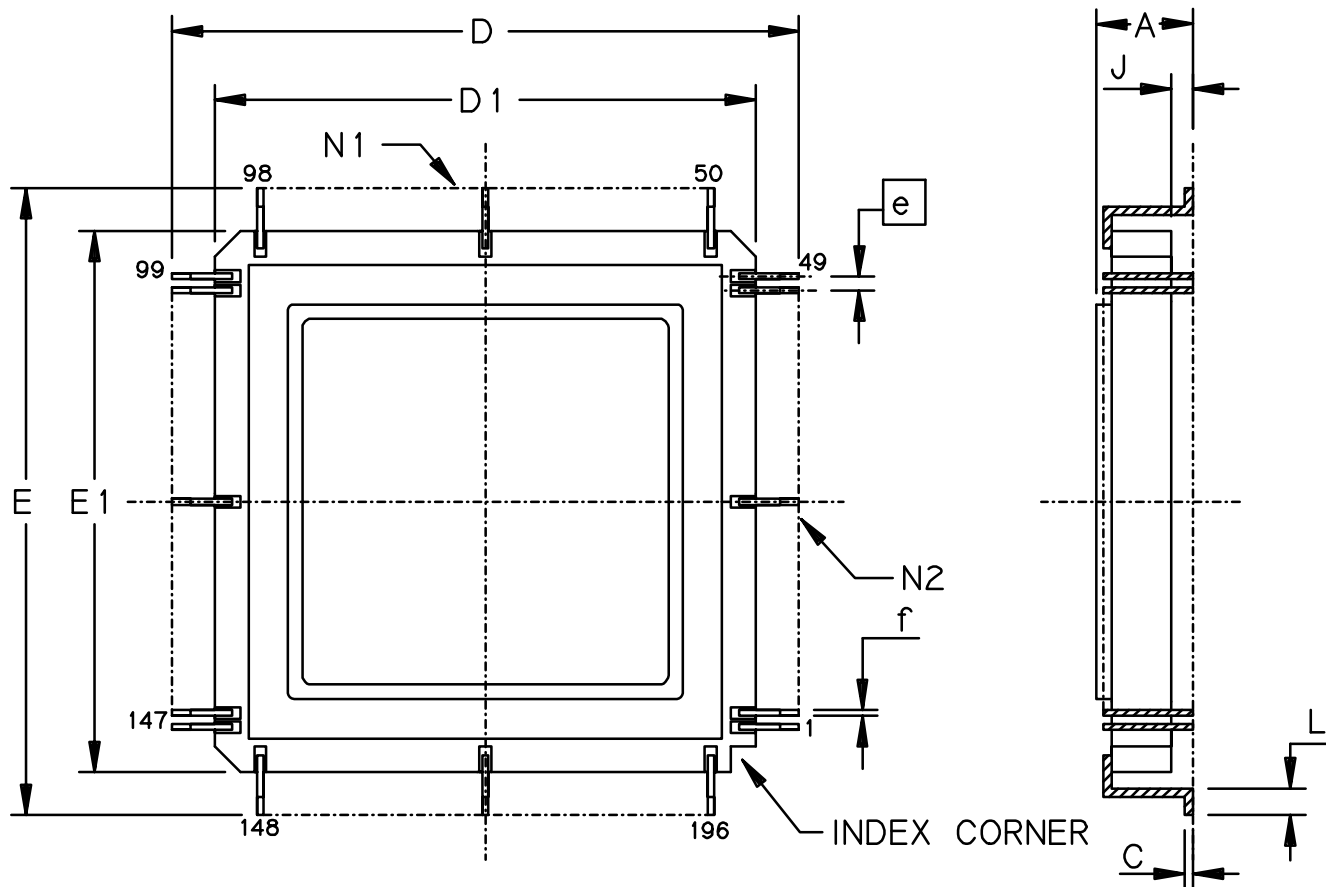
REV : 0 DATE : 08-10-92

196 LEAD FLAT PACK



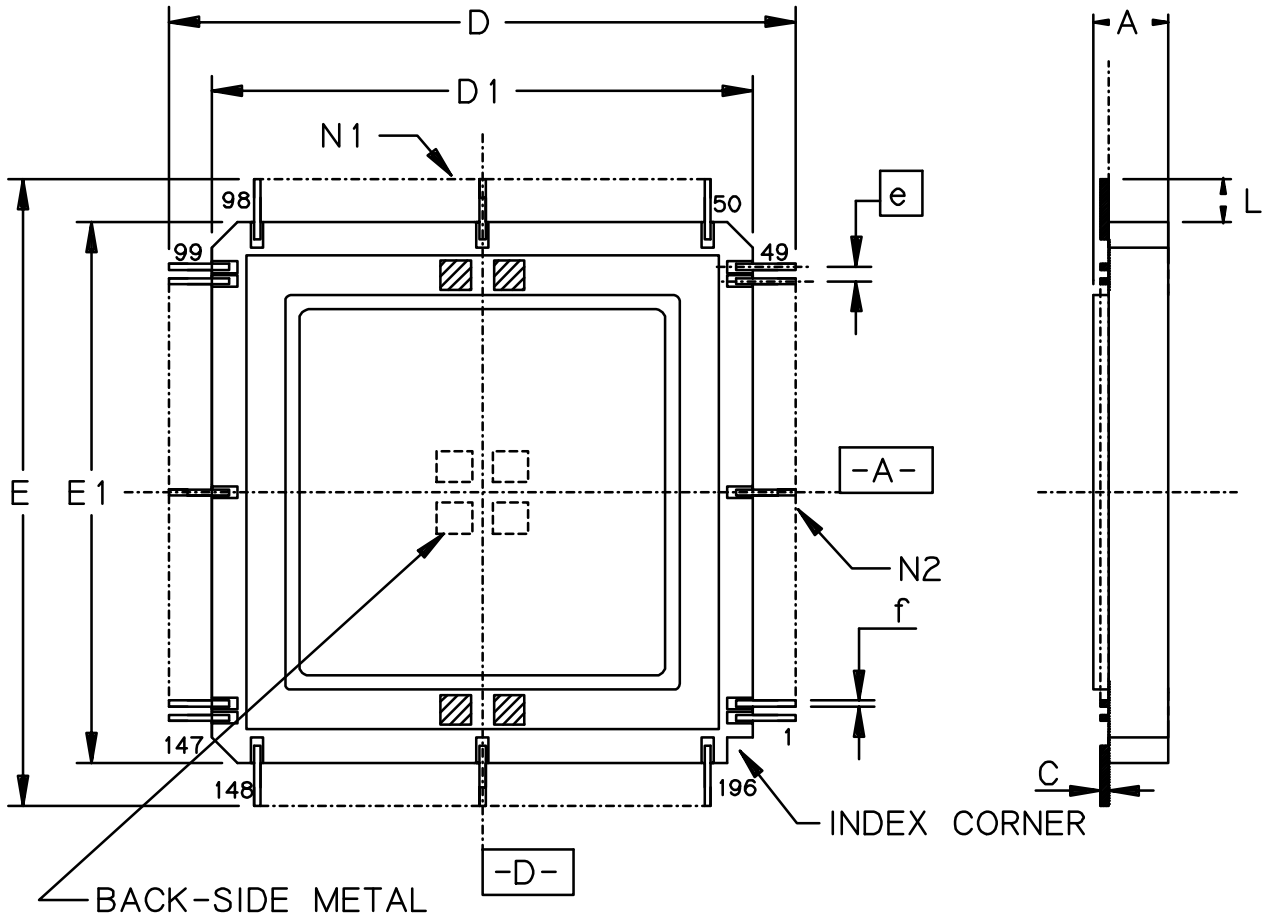
	Min	Max	Min	Max
A	-	2.95	-	.116
C	0.20 TYP		.008 TYP	
D	-	39.75	-	1.565
D1	-	34.54	-	1.360
E	-	39.75	-	1.565
E1	-	34.54	-	1.360
e	0.635 BSC		.025 BSC	
f	0.28 REF		.011 REF	
J	0.15	0.30	.006	.012
L	0.61	1.01	.024	.040
N1	49		49	
N2	49		49	

196 LEAD FLAT PACK



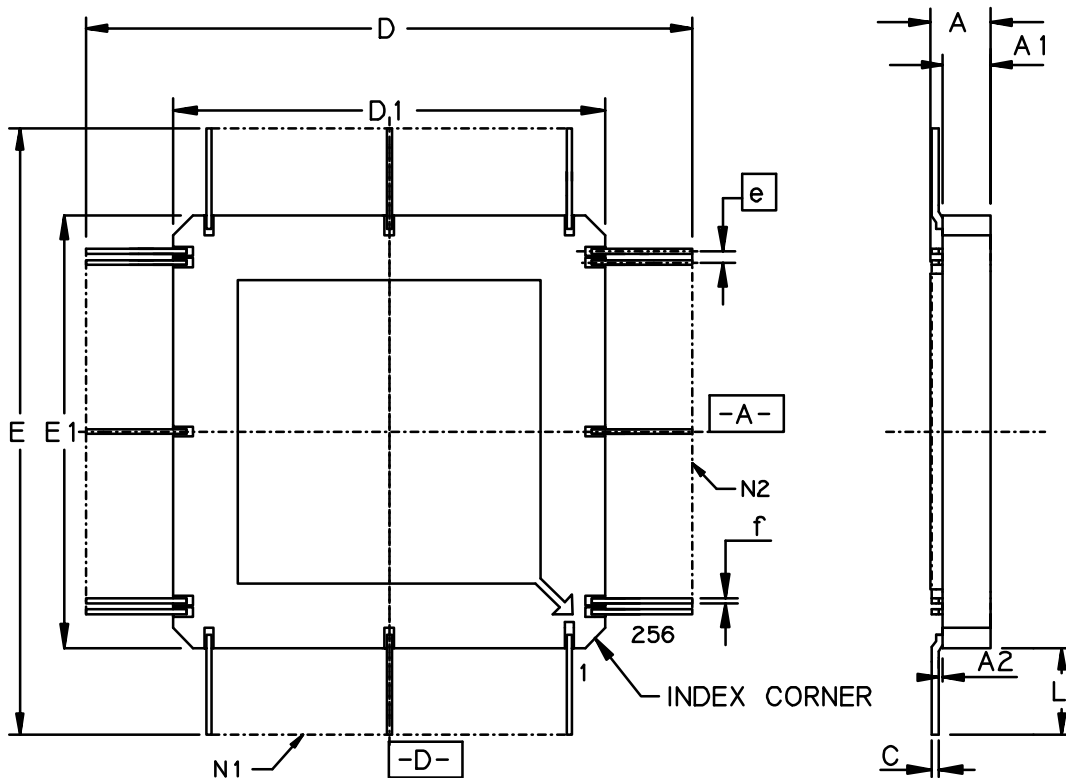
	Min	Max	Min	Max
A	-	2.95	-	.116
C	0.20 TYP		.008 TYP	
D	-	39.75	-	1.565
D1	-	34.54	-	1.360
E	-	39.75	-	1.565
E1	-	34.54	-	1.360
e	0.635 BSC		.025 BSC	
f	0.28 REF		.011 REF	
J1	0.15	0.30	.006	.012
L	0.61	1.01	.024	.040
N1	49		49	
N2	49		49	

196 LEAD FLAT PACK



	Min	Max	Min	Max
A	-	2.65	-	.104
C	0.15 TYP		.006 TYP	
D	-	45.94	-	1.809
D1	-	34.54	-	1.360
E	-	45.94	-	1.809
E1	-	34.54	-	1.360
e	0.635 BSC		.025 BSC	
f	0.20 REF		.008 REF	
L	5.30	5.70	.212	.228
N1	49		49	
N2	49		49	

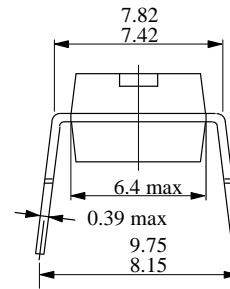
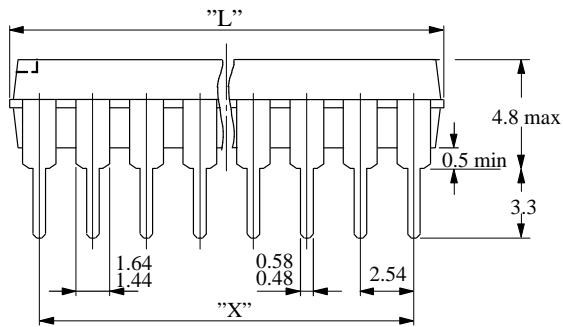
256 LEAD FLAT PACK



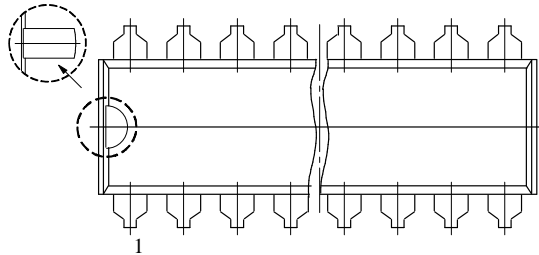
	mm		mils	
	Min	Max	Min	Max
A	2.41	3.18	.095	.125
C	0.10	0.20	.004	.008
D	53.23	55.74	2.095	2.195
D1	36.83	37.34	1.450	1.470
E	53.23	55.74	2.095	2.195
E1	36.83	37.34	1.450	1.470
e	0.508 BSC		.020 BSC	
f	0.15	0.25	.006	.010
A1	2.06	2.56	.081	.101
A2	0.05	0.36	.002	.014
L	8.20	9.20	.323	.362
N1	64		64	
N2	64		64	

Package DIP8-20

Dimensions in mm



Alternative



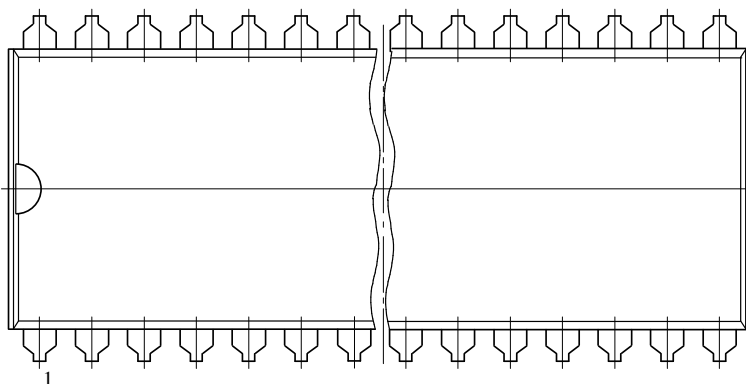
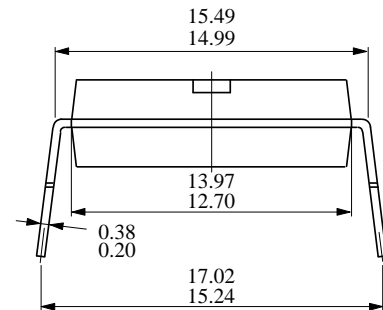
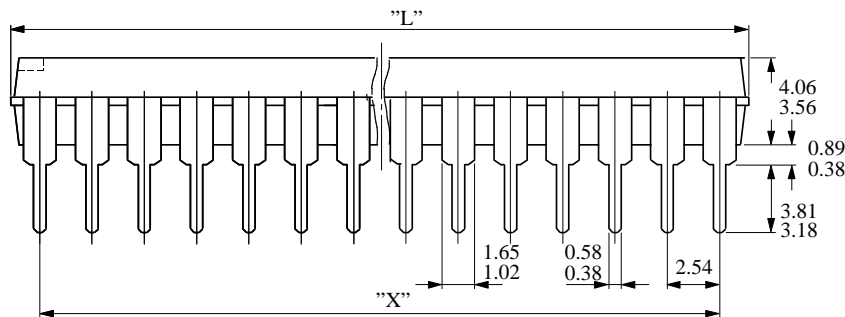
technical drawings according to DIN specifications

Package	"L"		"X"
	min	max	
DIP8	9.5	9.8	7.62
DIP14		20.0	15.24
DIP16		20.0	17.78
DIP18		23.3	20.32
DIP20	25.4	26.42	22.86

13026

Package DIP24-40

Dimensions in mm



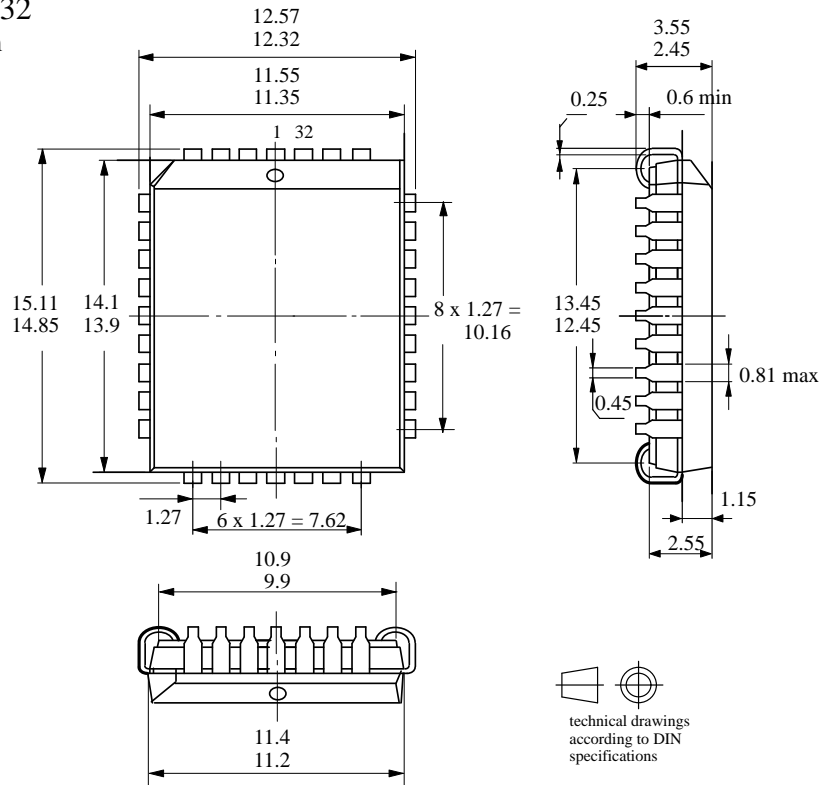
technical drawings according to DIN specifications

Package	"L"		"X"
	min	max	
DIP24	31.24	32.26	27.94
DIP28	36.58	37.34	33.02
DIP40	51.82	52.58	48.26

13025

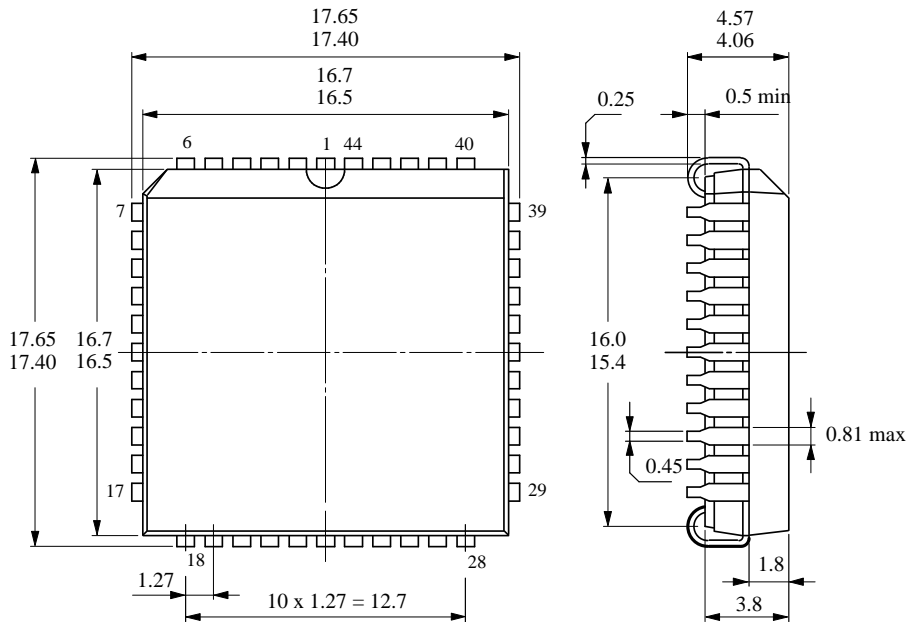
PLCC-Packages

Package PLCC32
Dimensions in mm



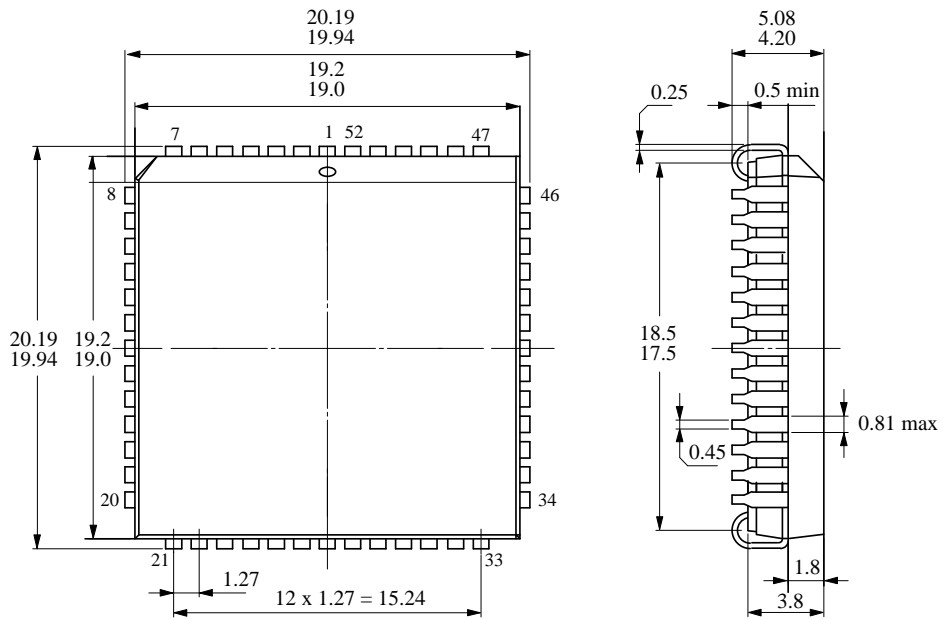
13032

Package PLCC44
Dimensions in mm



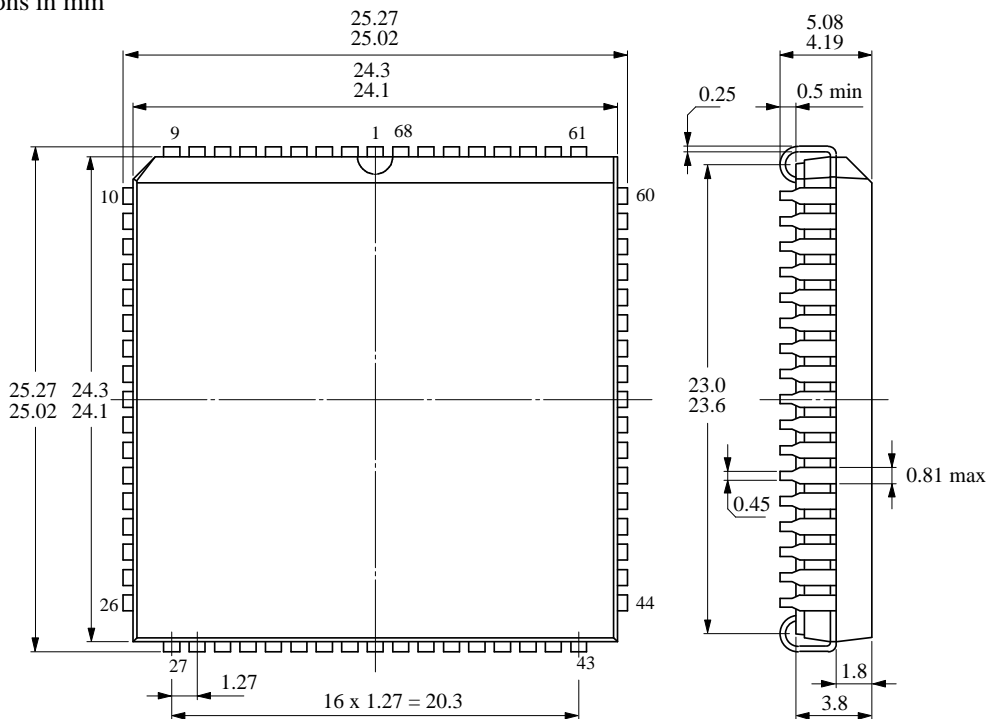
13009

Package PLCC52
Dimensions in mm



13031

Package PLCC68
Dimensions in mm

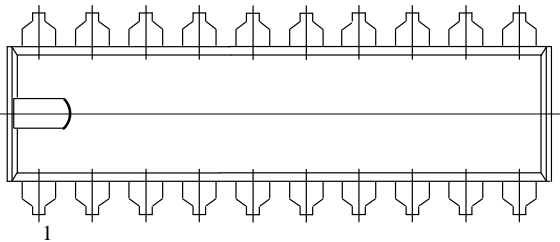
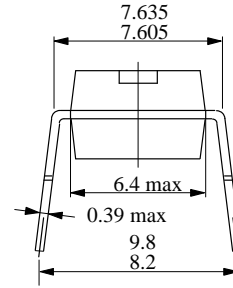
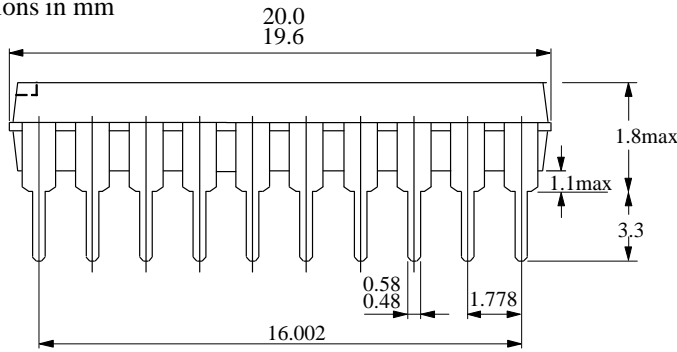


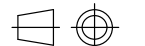
13008

SDIP-Packages

Package SDIP20

Dimensions in mm

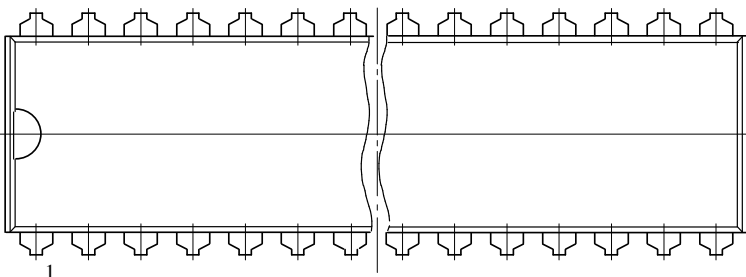
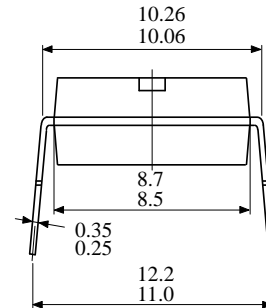
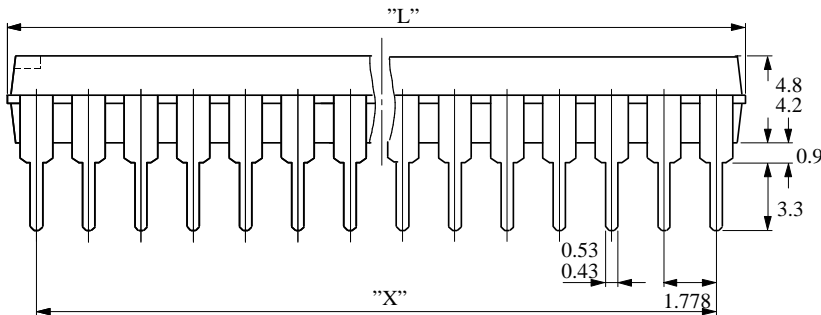



technical drawings
according to DIN
specifications


13029

Package SDIP28-30

Dimensions in mm



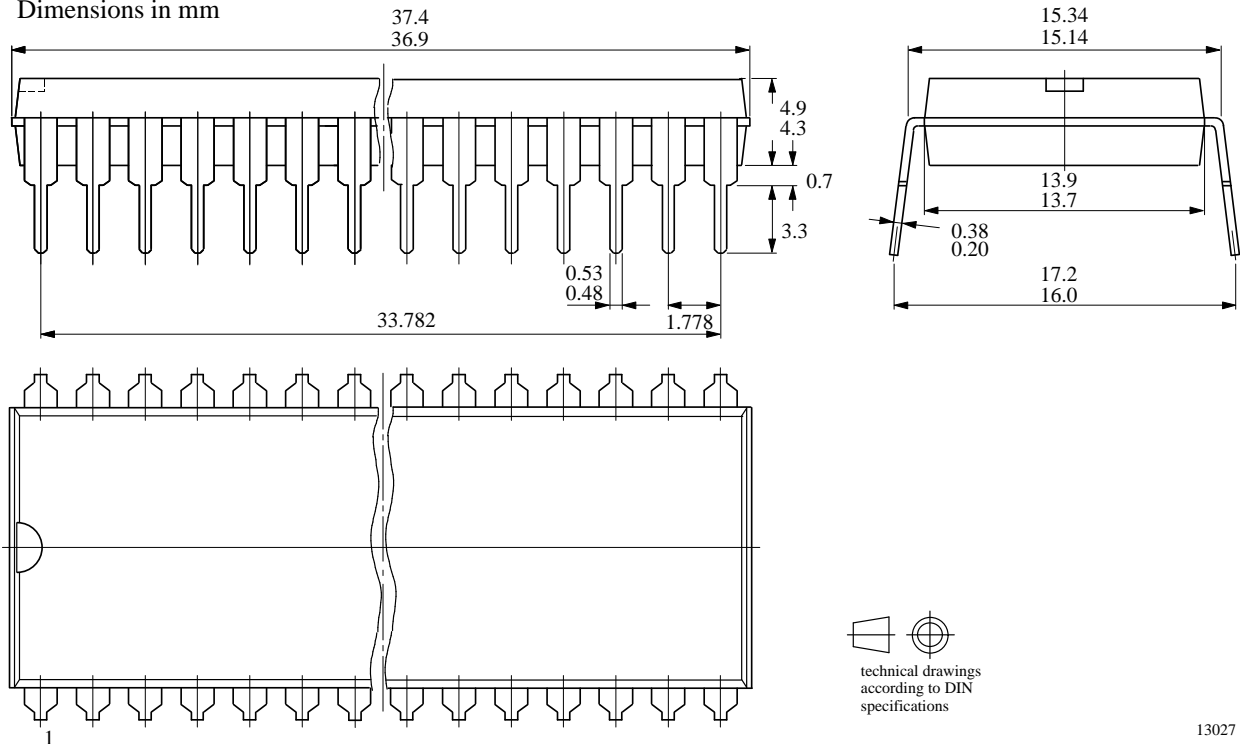
Package	min "L"	max "L"	"X"
SDIP28	27.5	27.1	23.114
SDIP30	27.5	27.1	24.892


technical drawings
according to DIN
specifications

13028

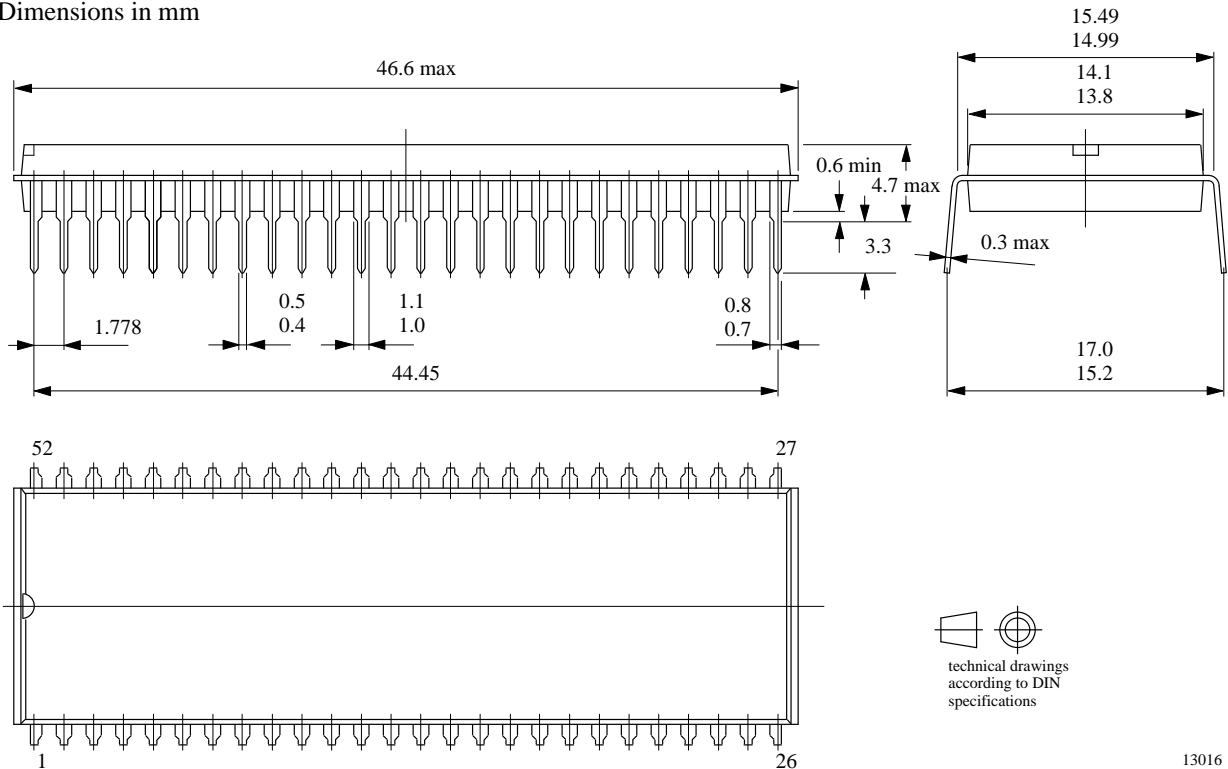
Package SDIP40

Dimensions in mm

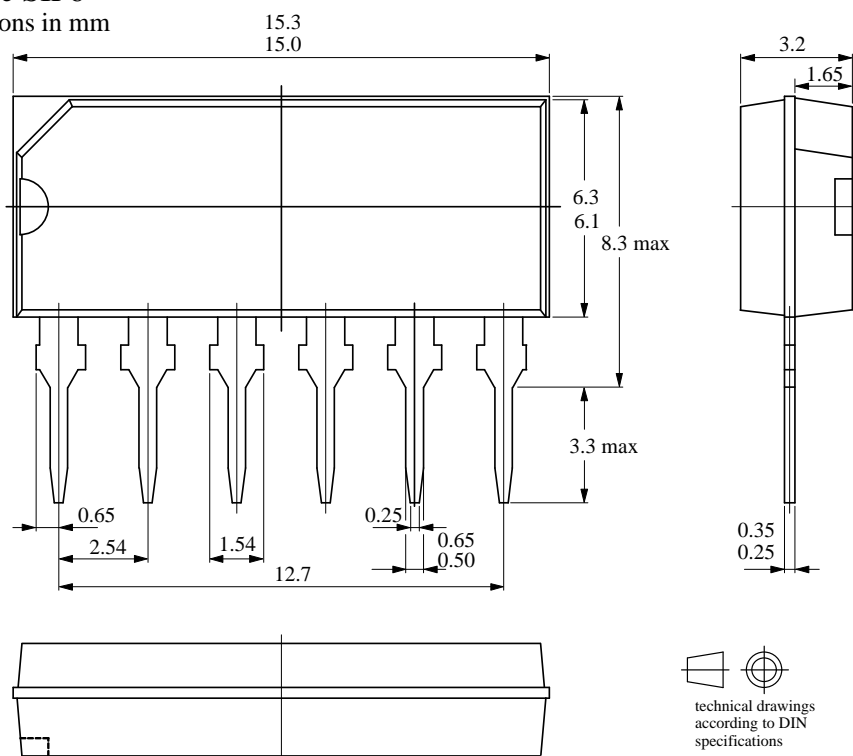


Package SDIP52

Dimensions in mm



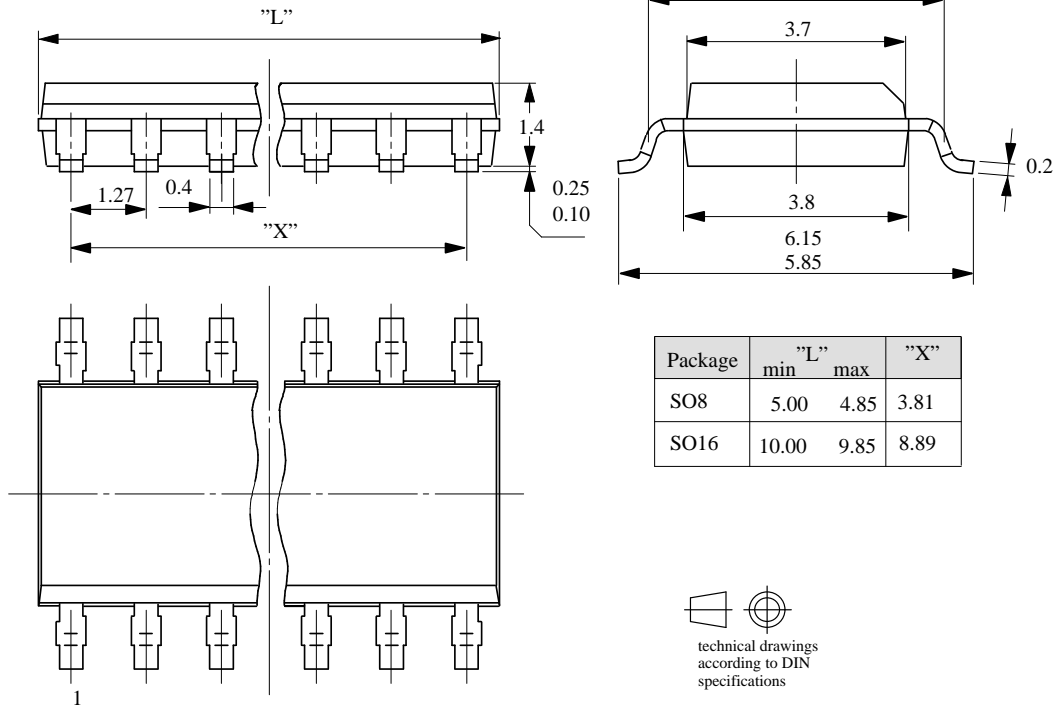
Package SIP6
Dimensions in mm



13024

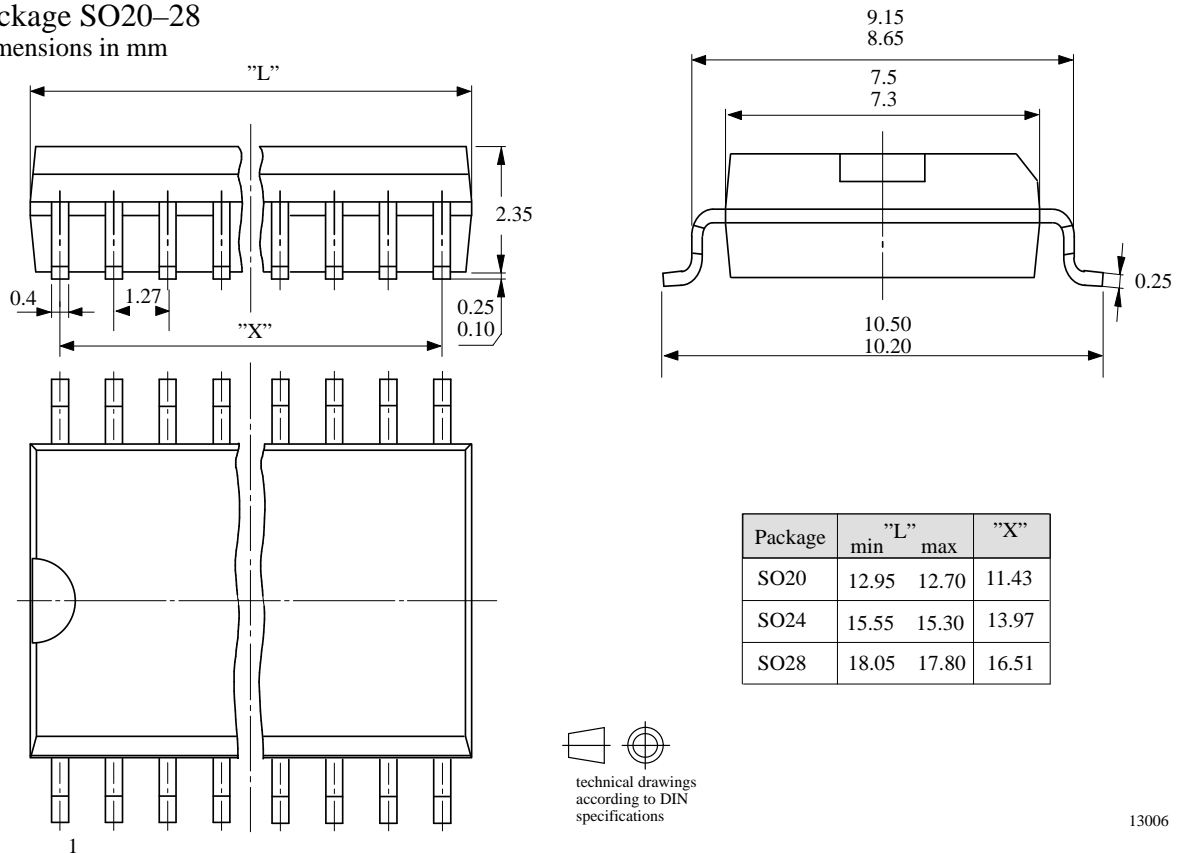
Package SO8-16

Dimensions in mm



Package SO20-28

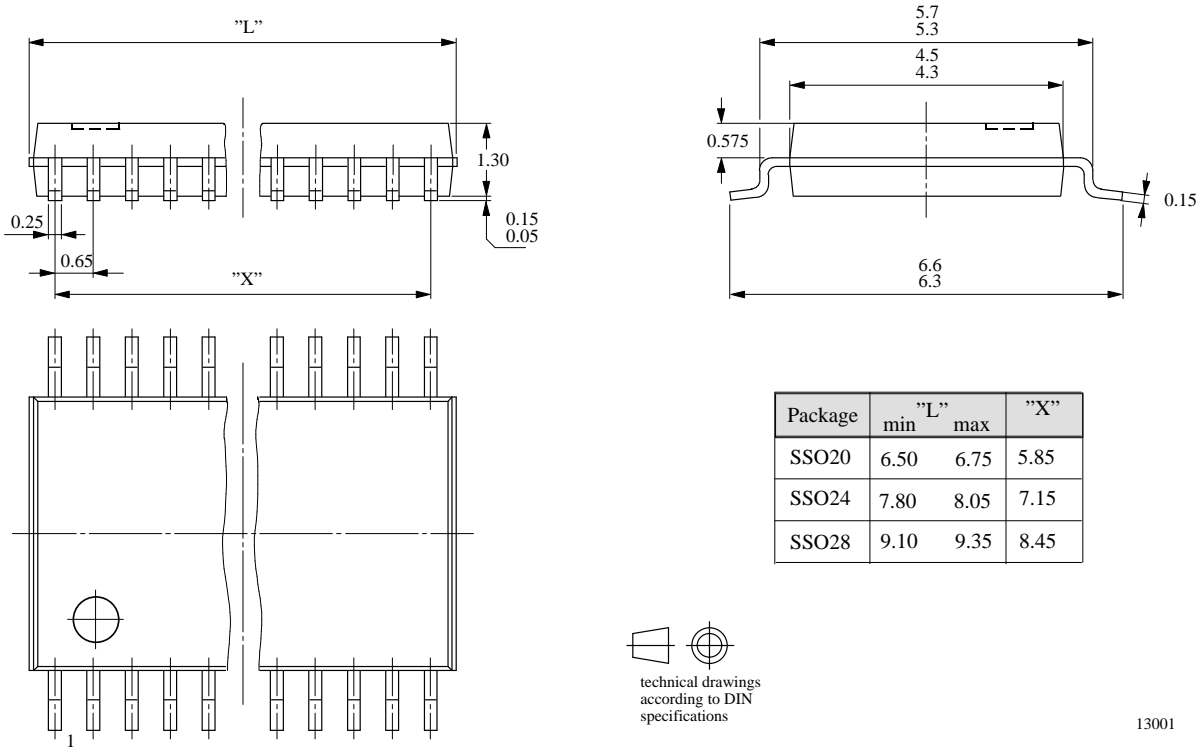
Dimensions in mm



SSO-Packages

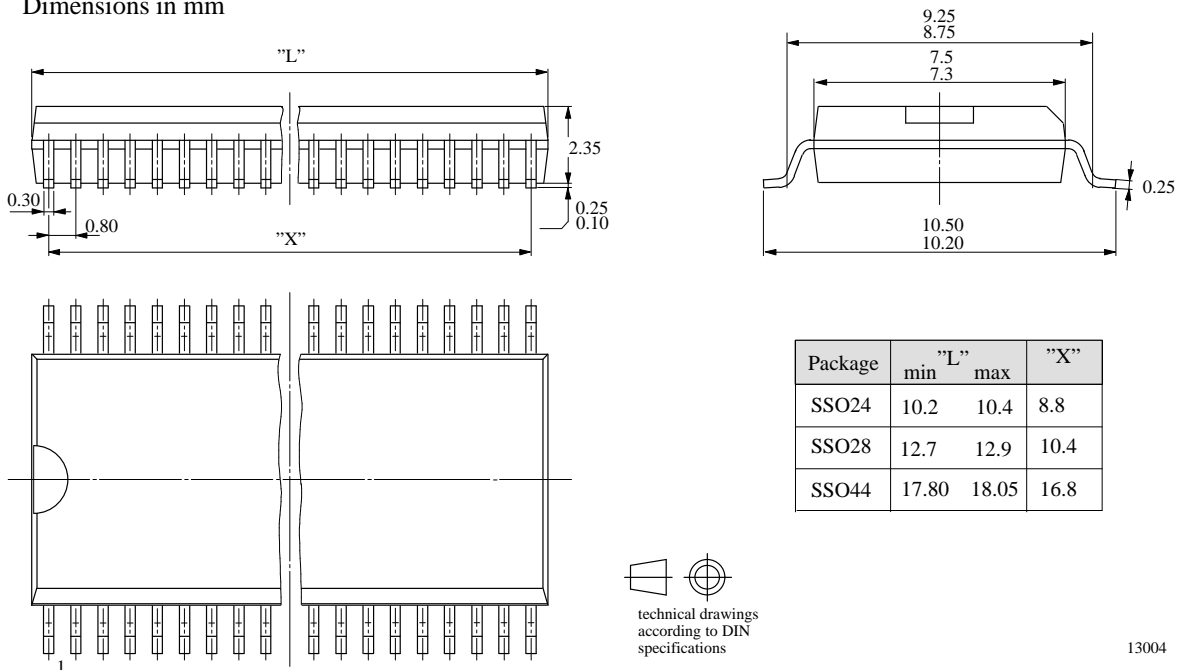
Package SSO20-28

Dimensions in mm

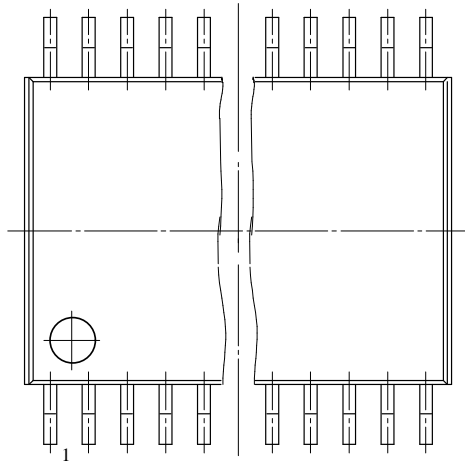
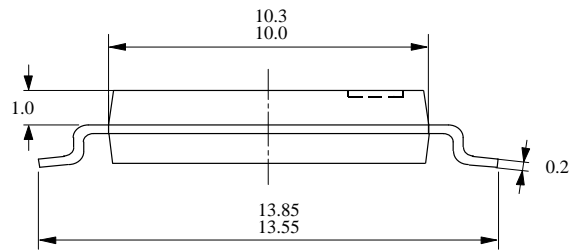
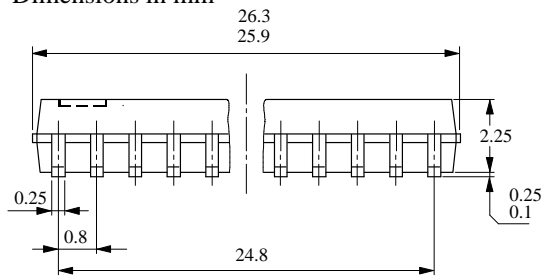


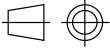
Package SSO24-44

Dimensions in mm



Package SSO64
Dimensions in mm




technical drawings
according to DIN
specifications

13030