

20 WATT AC-DC CONVERTER

Type	V _{in}	V _{out}	I _{out}
GS20AC-12	230 V _{RMS}	12 V	1,7 A

DESCRIPTION

The GS20AC-12 is an AC-DC switching power supply able to deliver 20W output power (12V/1.7A).

Two versions of the INPUT PLUG ADAPTOR are available:

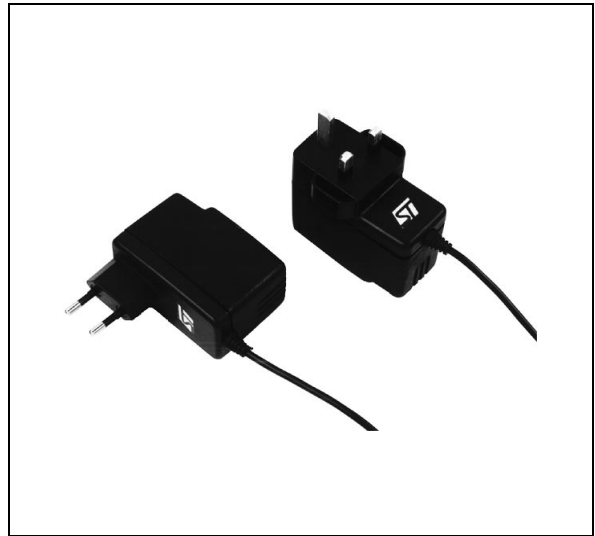
EUROPEAN VERSION

GS20AC-12-1 (ORDERING NUMBER)

UK VERSION:

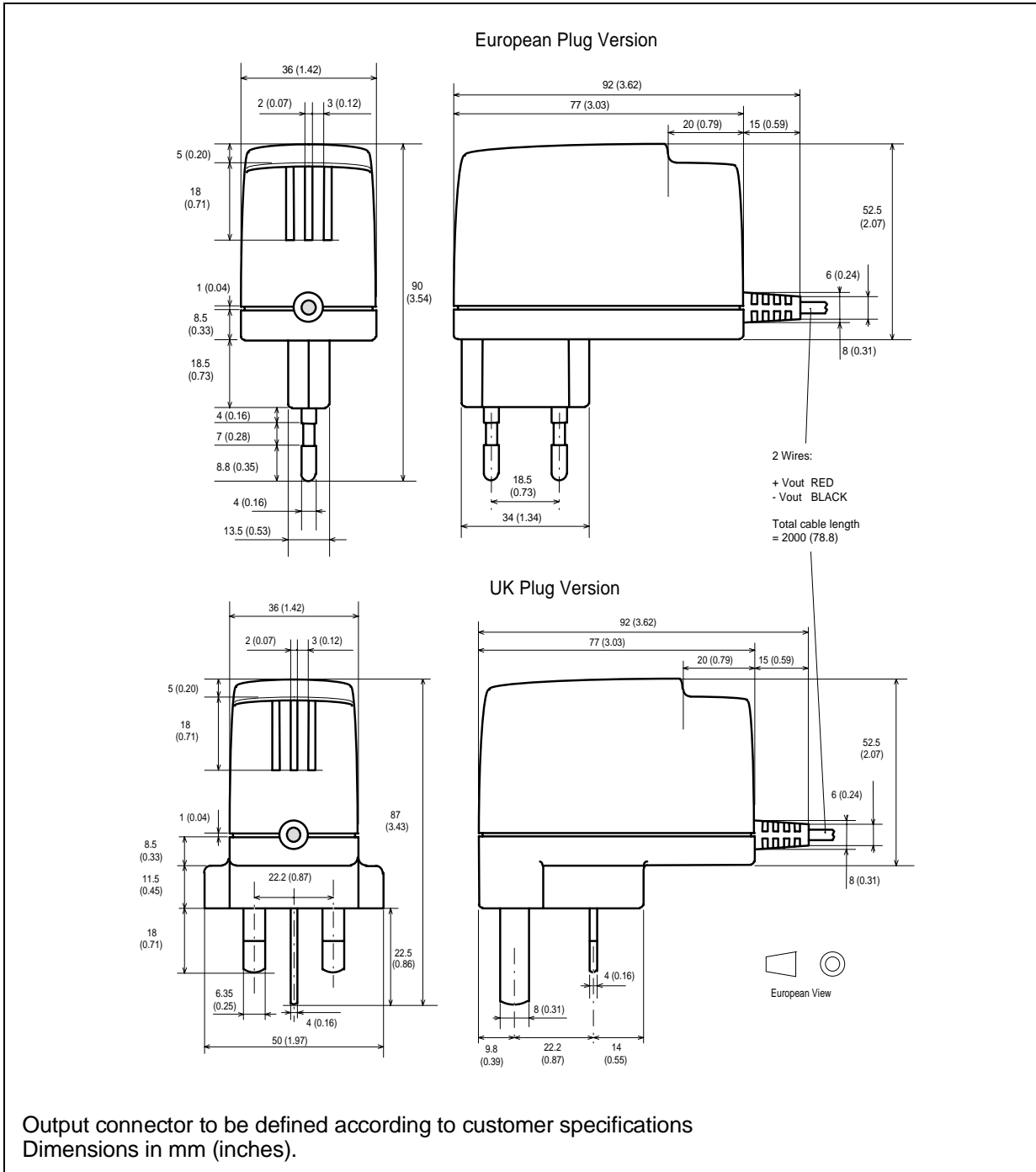
GS20AC-12-2 (ORDERING NUMBER)

(See page 2 for mechanical drawings)


ELECTRICAL CHARACTERISTICS (T_{amb} = 25°C unless otherwise specified)

Symbol	Parameter	Test Conditions	Min	Typ	Max	Unit
V _i	Input Voltage		187	230	264	V _{rms}
V _o	Output Voltage	V _i = 187V to 264Vrms I _o = 0 to 1.7A	11	12	13	V _{dc}
I _o	Output Current	V _i = 187V to 264Vrms V _o = 11 to 13V	0		1.7	A
I _{ol}	Overcurrent Limit Initiation	V _i = 187V to 264Vrms		2		A
I _{osc}	Short Circuit Output Current	V _i = 187V to 264Vrms		0.7		A
η	Efficiency	V _i = 187V to 264Vrms I _o = 1.7A		75		%
T _{op}	Operating Temperature Range		-20		+45	°C
T _{stg}	Storage Temperature Range		-25		+85	°C

CONNECTION DIAGRAM AND MECHANICAL DATA



Information furnished is believed to be accurate and reliable. However, SGS-THOMSON Microelectronics assumes no responsibility for the consequences of use of such information nor for any infringement of patents or other rights of third parties which may result from its use. No license is granted by implication or otherwise under any patent or patent rights of SGS-THOMSON Microelectronics. Specification mentioned in this publication are subject to change without notice. This publication supersedes and replaces all information previously supplied. SGS-THOMSON Microelectronics products are not authorized for use as critical components in life support devices or systems without express written approval of SGS-THOMSON Microelectronics.

© 1994 SGS-THOMSON Microelectronics – All Rights Reserved

SGS-THOMSON Microelectronics GROUP OF COMPANIES
Australia - Brazil - France - Germany - Hong Kong - Italy - Japan - Korea - Malaysia - Malta - Morocco - The Netherlands -
Singapore - Spain - Sweden - Switzerland - Taiwan - Thailand - United Kingdom - U.S.A.