

# Digital transistors (built in resistor)

## DTA143TE / DTA143TUA / DTA143TKA / DTA143TSA

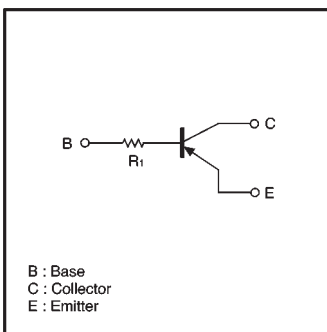
●Features

- 1) Built-in bias resistors enable the configuration of an inverter circuit without connecting external input resistors (see equivalent circuit).
- 2) The bias resistors consist of thin-film resistors with complete isolation to allow positive biasing of the input. They also have the advantage of almost completely eliminating parasitic effects.
- 3) Only the on/off conditions need to be set for operation, making device design easy.

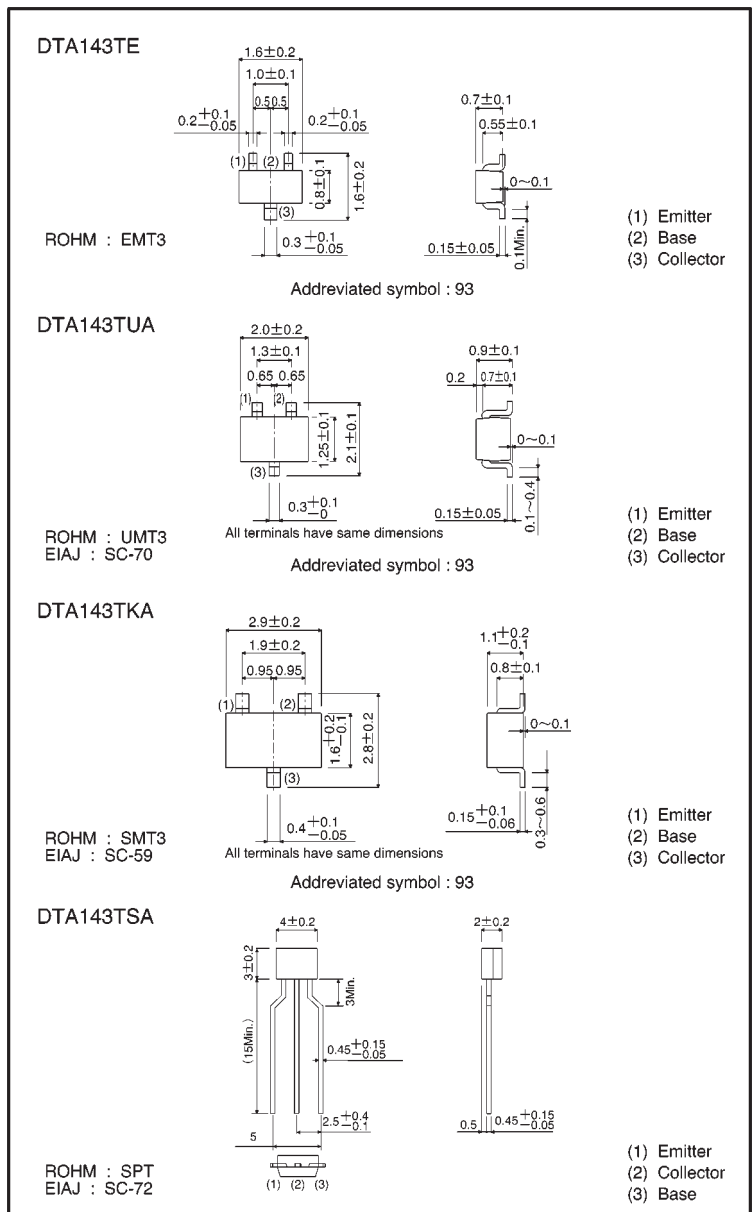
●Structure

PNP digital transistor  
(Built-in resistor type)

●Equivalent circuit



●External dimensions (Units: mm)



● Absolute maximum ratings (Ta = 25°C)

Parameter	Symbol	Limits(DTA143T□)				Unit
		E	UA	KA	SA	
Collector-base voltage	V <sub>CB0</sub>	-50				V
Collector-emitter voltage	V <sub>CE0</sub>	-50				V
Emitter-base voltage	V <sub>EB0</sub>	-5				V
Collector current	I <sub>c</sub>	-100				mA
Collector power dissipation	P <sub>c</sub>	150	200		300	mW
Junction temperature	T <sub>j</sub>	150				°C
Storage temperature	T <sub>stg</sub>	-55~+150				°C

● Electrical characteristics (Ta = 25°C)

Parameter	Symbol	Min.	Typ.	Max.	Unit	Conditions
Collector-base breakdown voltage	BV <sub>CB0</sub>	-50	—	—	V	I <sub>c</sub> = -50 μA
Collector-emitter breakdown voltage	BV <sub>CE0</sub>	-50	—	—	V	I <sub>c</sub> = -1mA
Emitter-base breakdown voltage	BV <sub>EB0</sub>	-5	—	—	V	I <sub>E</sub> = -50 μA
Collector cutoff current	I <sub>cBO</sub>	—	—	-0.5	μA	V <sub>CB</sub> = -50V
Emitter cutoff current	I <sub>EBO</sub>	—	—	-0.5	μA	V <sub>EB</sub> = -4V
Collector-emitter saturation voltage	V <sub>CE(sat)</sub>	—	—	-0.3	V	I <sub>c</sub> /I <sub>E</sub> = -5mA/-0.25mA
DC current transfer ratio	h <sub>FE</sub>	100	250	600	—	I <sub>c</sub> = -1mA, V <sub>CE</sub> = -5V
Input resistance	R <sub>i</sub>	3.29	4.7	6.11	kΩ	—
Transition frequency	f <sub>T</sub>	—	250	—	MHz	V <sub>CE</sub> = -10V, I <sub>E</sub> = 5mA, f = 100MHz *

\* Transition frequency of the device

● Packaging specifications

Part No.	Package	EMT3	UMT3	SMT3	SPT
	Packaging type	Taping	Taping	Taping	Taping
	Code	TL	T106	T146	TP
	Basic ordering unit (pieces)	3000	3000	3000	5000
DTA143TE	○	—	—	—	—
DTA143TUA	—	○	—	—	—
DTA143TKA	—	—	○	—	—
DTA143TSA	—	—	—	○	—

● Electrical characteristic curves

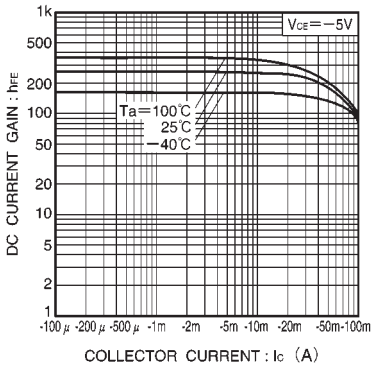


Fig.1 DC current gain vs. collector current

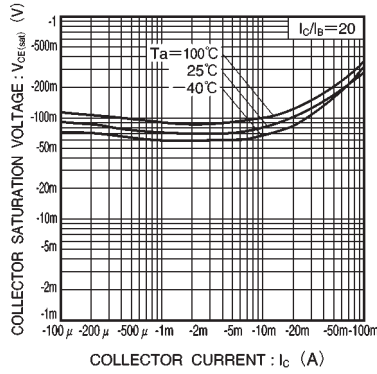


Fig.2 Collector-emitter saturation voltage vs. collector current