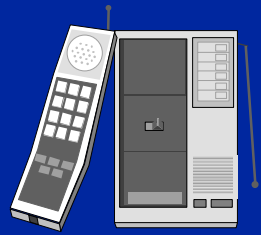
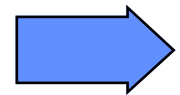


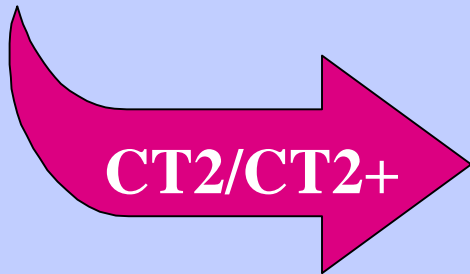
TEMIC
Semiconductors



**RF Chipset
for
900MHz Digital Cordless
Telephone**



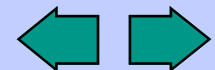
The Components



U7001BG	GaAs Frontend
U2783B	Twin PLL
U2760B	RX/TX
U3770M	I/Q Modulator



U7001BG	GaAs Frontend
U2783B	Twin PLL
U2762B	RX/TX

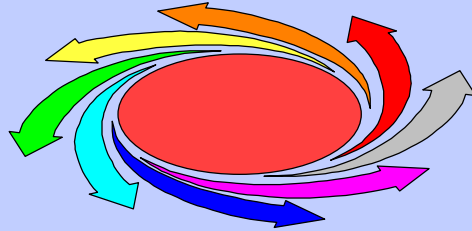


The Functions



- **U7001BG** **GaAs frontend with LNA, PA, Antenna switch**
PA o/p: 16 dBm/3V, 18 dBm/5V; SS0 20
- **U2760B** **RX/TX IC for CT2/CT2+, 3 V supply, SSO28**
- **U2762B** **RX/TX IC for Narrow Band, 3 V supply, SSO28**
- **U2783B** **Twin PLL, 3 V/10 mA, f_{\max} 400/1250 MHz, SSO20**
- **U3770M** **I/Q modulator for CT2/CT2+, 3 V supply, SO16**

Features and Benefits



Features

- **Optimized RF chipset for CT2/NR**
- **3-Volt low current design**
- **Adjust.-free, few extern. components**
- **Design-in support, test boards**

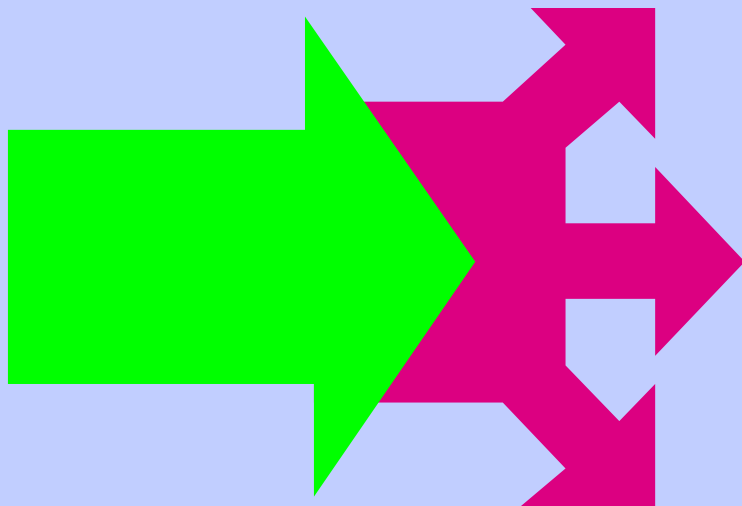
Benefits

- **Short design-in time, low risk**
- **Operation with 2 or 3 batteries, long talk time**
- **Easy to manufacture, cost saving**
- **Short time-to-market**

Chipset current consumption at 3Volt

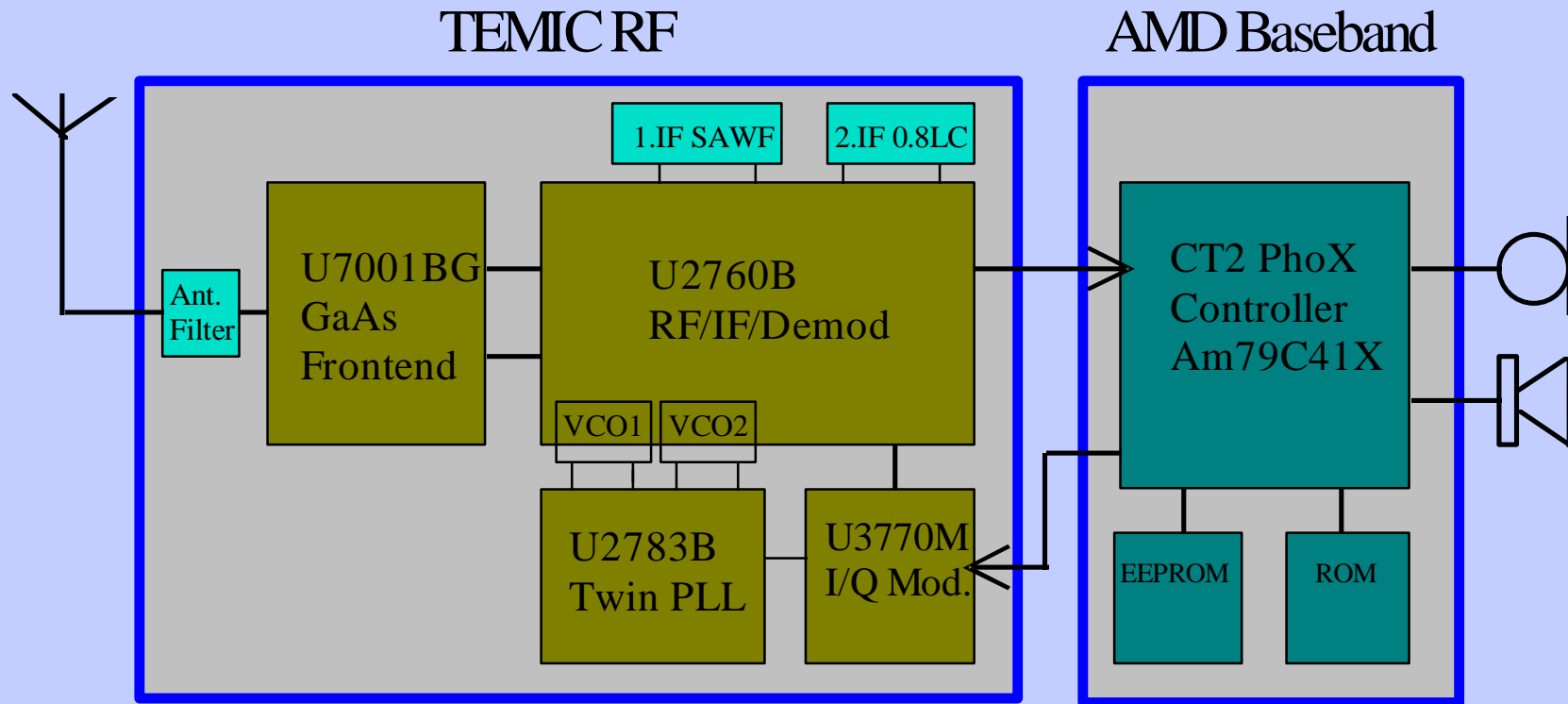
	RX mode	TX mode
U7001BG	4 mA	35 mA
U2762B	20 mA	17 mA
U2783B	10 mA	10 mA
Ext. VCO1	1.5 mA	1.5 mA
• Total	35.5 mA	63.5 mA

Key Applications

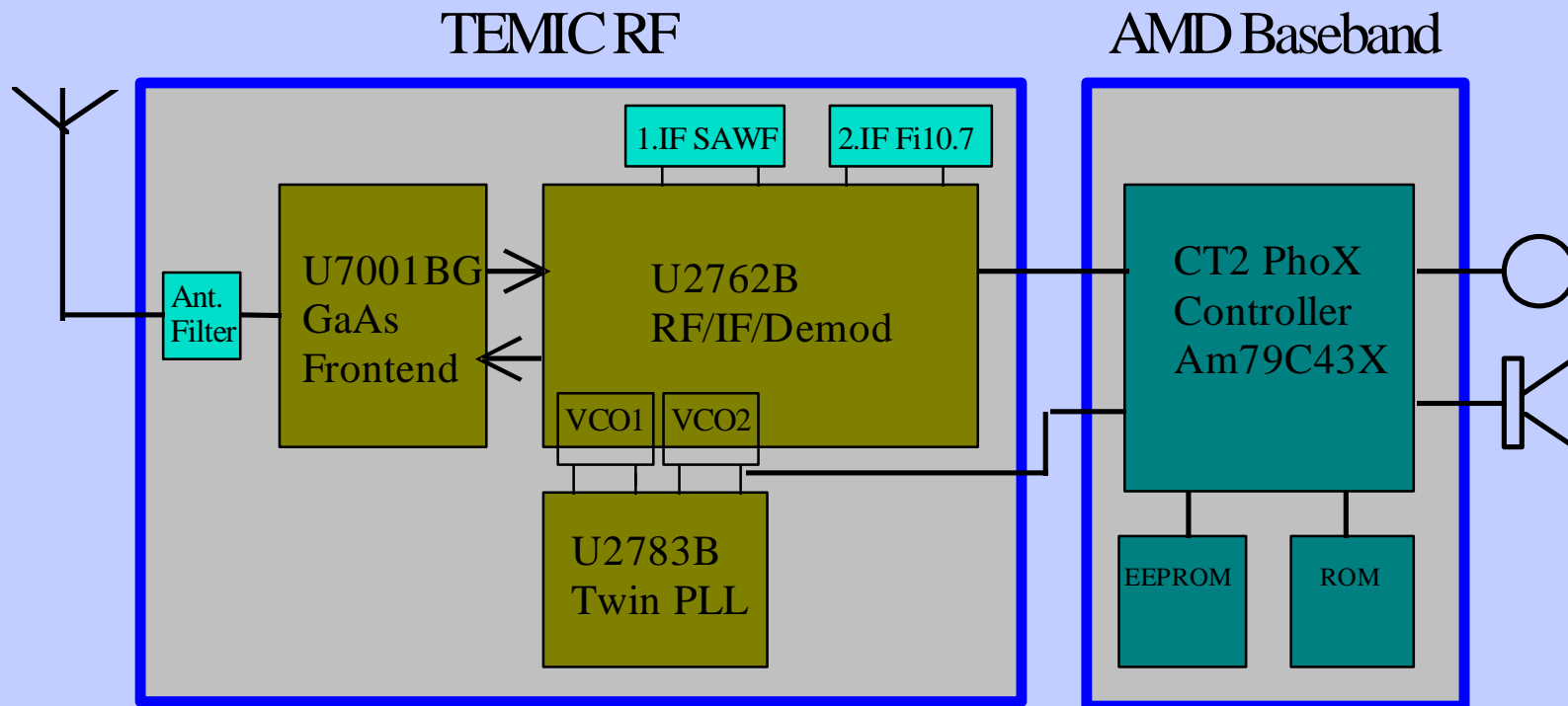


- **Digital Cordless Phone (NR), NA**
- **CT 2+ Digital Cordless Phone, NA**
- **CT 2 Europe , Asia/Pacific**

Block diagram CT2 application



Block diagram Narrow Band application



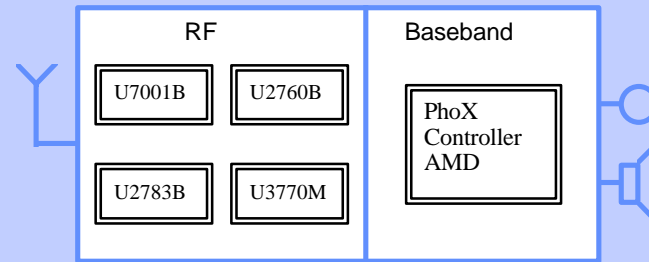
Frequency Allocations

Europe CT-2 (ETSI)	864 - 868 MHz
North America ISM Band (NR, SS)	902 - 928 MHz
North America CT-2+	930 - 931 MHz 940 - 941 MHz
Korea CT-2	910 - 914 MHz
Taiwan CT-2	864 - 868 MHz
China CT-2	839 - 843 MHz

Demo and Testboards

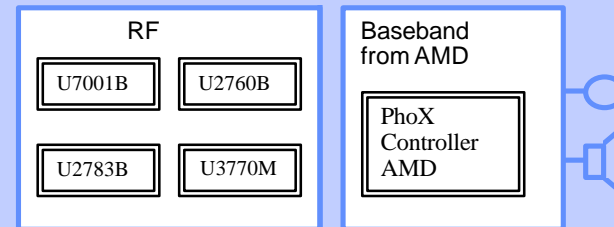
A-Board (CT2)

Complete working CPP
demo board



B-Board (CT2)

RF test board with
U2760B/2783B/7001BG/3770M



C-Board (CT2)

RF test board with
U2760B/2783B

D-Board (NR)

U2762B/2783B

