

NOR GATE

- 4000B-DUAL 3 INPUT PLUS INVERTER**
- 4001B-QUAD 2 INPUT**
- 4002B-DUAL 4 INPUT**
- 4025B TRIPLE 3 INPUT**

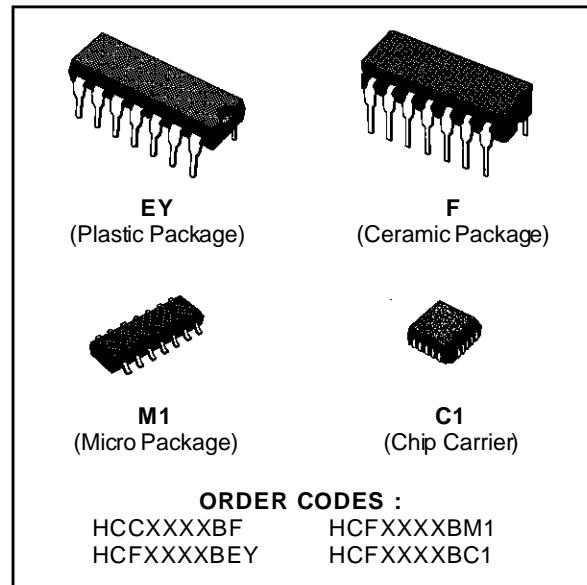
- PROPAGATION DELAY TIME = 60 ns (typ.) AT $C_L = 50$ pF, $V_{DD} = 10$ V
- BUFFERED INPUTS AND OUTPUTS
- STANDARDIZED SYMMETRICAL OUTPUT CHARACTERISTICS
- QUIESCENT CURRENT SPECIFIED TO 20 V FOR HCC DEVICE
- 5V, 10V AND 15V PARAMETRIC RATINGS
- INPUT CURRENT OF 100nA AT 18V AND 25 °C FOR HCC DEVICE
- 100% TESTED FOR QUIESCENT CURRENT
- MEETS ALL REQUIREMENTS OF JEDEC TENTATIVE STANDARD N. 13A, "STANDARD SPECIFICATIONS FOR DESCRIPTION OF B SERIES CMOS DEVICES"

DESCRIPTION

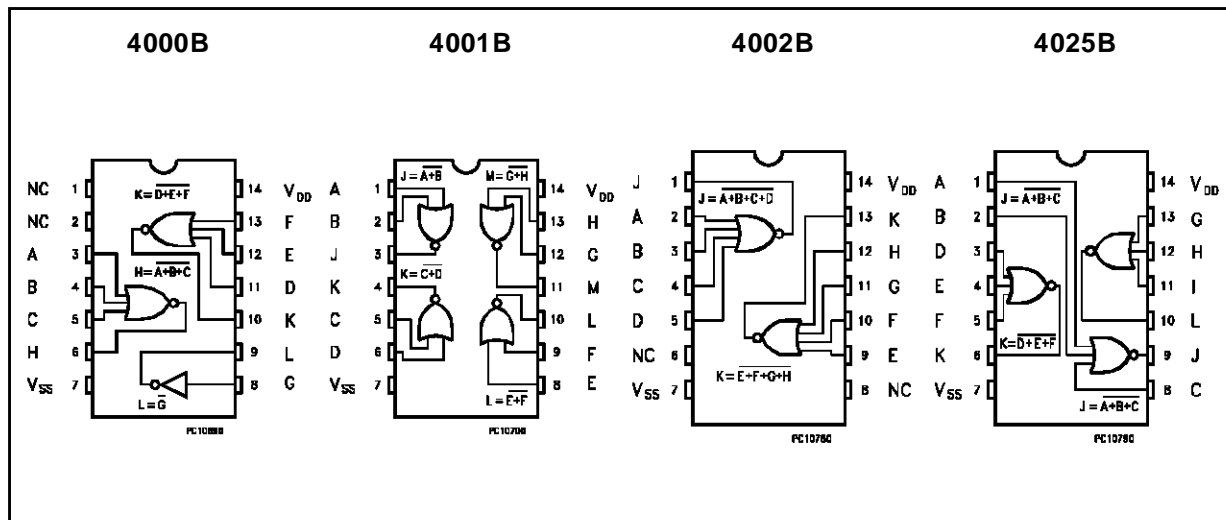
The **HCC4000B**, **HCC4001B**, **HCC4002B** and **HCC4025B** (extended temperature range) and **HCF4000B**, **HCF4001B**, **HCF4002B** and **HCF4025B** (intermediate temperature range) are monolithic integrated circuit, available in 14-lead dual in line plastic or ceramic package and plastic

micropackage.

The **HCC/HCF4000B**, **HCC/HCF4001B**, **HCC/HCF4002B** and **HCC/HCF4025B** nor gate provide the system designer with direct implementation of the nor function and supplement the existing family of COS/MOS gates. All inputs and outputs are buffered.



PIN CONNECTIONS



HCC/HCF4000B-4001B-4002B-4025B

ABSOLUTE MAXIMUM RATING

| Symbol | Parameter | Value | Unit |
|-------------------|--|-------------------------------|------|
| V _{DD} * | Supply Voltage: HCC Types HCF Types | -0.5 to +20 | V |
| | | -0.5 to +18 | V |
| V _i | Input Voltage | -0.5 to V _{DD} + 0.5 | V |
| I _I | DC Input Current (any one input) | ± 10 | mA |
| P _{tot} | Total Power Dissipation (per package) Dissipation per Output Transistor for Top = Full Package Temperature Range | 200 | mW |
| | | 100 | mW |
| T _{op} | Operating Temperature: HCC Types HCF Types | -55 to +125 | °C |
| | | -40 to +85 | °C |
| T _{stg} | Storage Temperature | -65 to +150 | °C |

Stresses above those listed under "Absolute Maximum Ratings" may cause permanent damage to the device. This is a stress rating only and functional operation of the device at these or any other conditions above those indicated in the operational sections of this specification is not implied. Exposure to absolute maximum rating conditions for external periods may affect device reliability.

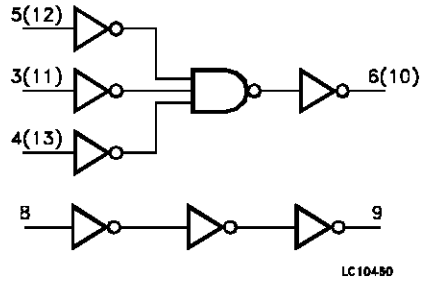
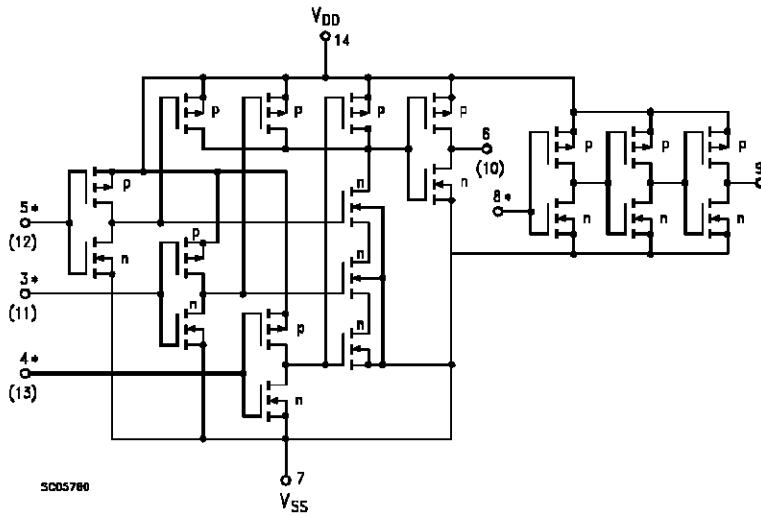
* All voltage values are referred to V_{SS} pin voltage.

RECOMMENDED OPERATING CONDITIONS

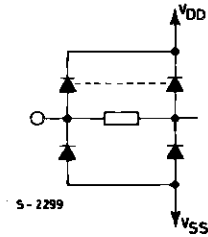
| Symbol | Parameter | Value | Unit |
|-----------------|---|----------------------|------|
| V _{DD} | Supply Voltage: HCC Types HCF Types | 3 to 18 | V |
| | | 3 to 15 | V |
| V _i | Input Voltage | 0 to V _{DD} | V |
| T _{op} | Operating Temperature: HCC Types HCF Types | -55 to +125 | °C |
| | | -40 to +85 | °C |

SCHEMATIC AND LOGIC DIAGRAMS

4000B

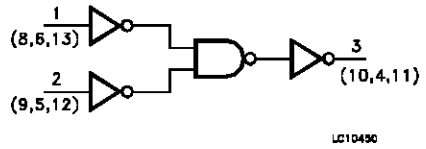
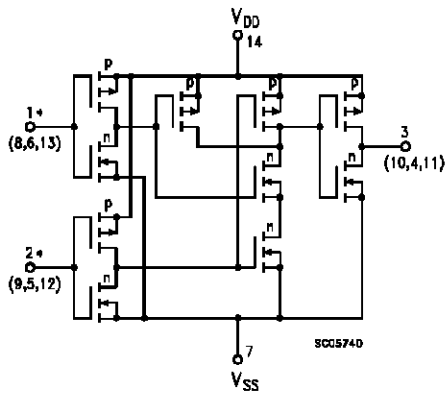


INVERTER AND 1 OF 2 GATES (NUMBERS IN PARANTHESES ARE THERMINAL FOR SECOND GATE)

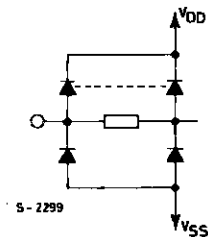


ALL INPUTS ARE PROTECTED BY COS/MOS PROTECTION NETWORK

4001B



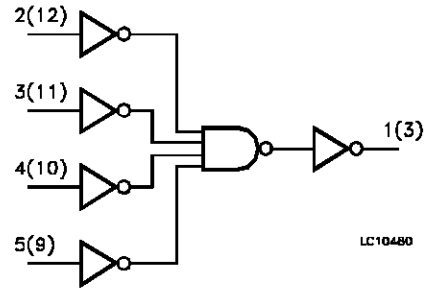
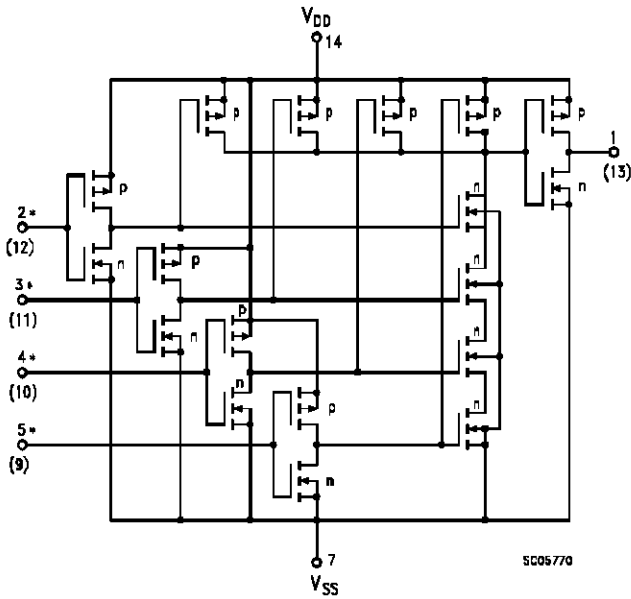
1 OF 4 GATES (NUMBERS IN PARANTHESES ARE THERMINAL FOR OTHER GATE)



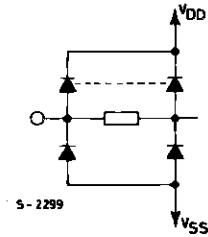
ALL INPUTS ARE PROTECTED BY COS/MOS PROTECTION NETWORK

SCHEMATIC AND LOGIC DIAGRAMS (continued)

4002B



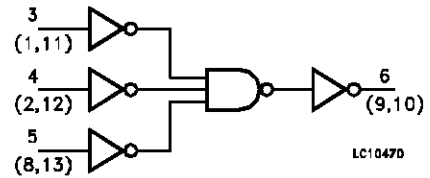
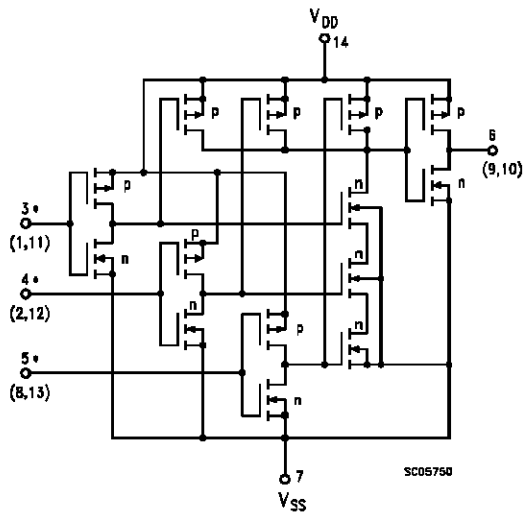
LC10480



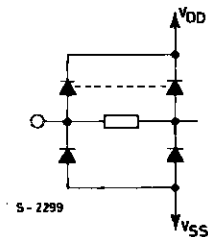
ALL INPUTS ARE PROTECTED BY COS/MOS PROTECTION NETWORK

1 OF 2 GATES (NUMBERS IN PARANTHESES ARE THERMINAL FOR SEC-
OND GATE)

4025B



LC10470



ALL INPUTS ARE PROTECTED BY COS/MOS PROTECTION NETWORK

INVERTER AND 1 OF 3 GATES (NUMBERS IN PARANTHESES ARE
THERMINAL FOR OTHER GATES)

STATIC ELECTRICAL CHARACTERISTICS (over recommended operating conditions)

| Symbol | Parameter | | Test Conditions | | | | Value | | | | | | Unit | |
|-----------------------------------|-----------------------|-----------|-----------------------|-----------------------|--------------------------|------------------------|--------------------|-------|-------------------|------|-------|---------------------|------|------|
| | | | V _I (V) | V _O (V) | I _O (μA) | V _{DD} (V) | T _{LOW} * | | 25 °C | | | T _{HIGH} * | | |
| | | | | | | | Min. | Max. | Min. | Typ. | Max. | Min. | | Max. |
| I _L | Quiescent Current | HCC Types | 0/5 | | | 5 | | 0.25 | | 0.01 | 0.25 | | 7.5 | μA |
| | | | 0/10 | | | 10 | | 0.5 | | 0.01 | 0.5 | | 15 | |
| | | | 0/15 | | | 15 | | 1 | | 0.01 | 1 | | 30 | |
| | | 0/20 | | | 20 | | 5 | | 0.02 | 5 | | 150 | | |
| | | HCF Types | 0/5 | | | 5 | | 1 | | 0.01 | 1 | | 7.5 | |
| | | | 0/10 | | | 10 | | 2 | | 0.01 | 2 | | 15 | |
| 0/15 | | | | 15 | | 4 | | 0.01 | 4 | | 30 | | | |
| V _{OH} | Output High Voltage | 0/5 | | < 1 | 5 | 4.95 | | 4.95 | | | 4.95 | | V | |
| | | 0/10 | | < 1 | 10 | 9.95 | | 9.95 | | | 9.95 | | | |
| | | 0/15 | | < 1 | 15 | 14.95 | | 14.95 | | | 14.95 | | | |
| V _{OL} | Output Low Voltage | 5/0 | | < 1 | 5 | | 0.05 | | | 0.05 | | 0.05 | V | |
| | | 10/0 | | < 1 | 10 | | 0.05 | | | 0.05 | | 0.05 | | |
| | | 15/0 | | < 1 | 15 | | 0.05 | | | 0.05 | | 0.05 | | |
| V _{IH} | Input High Voltage | | 0.5/4.5 | < 1 | 5 | 3.5 | | 3.5 | | | 3.5 | | V | |
| | | | 1/9 | < 1 | 10 | 7 | | 7 | | | 7 | | | |
| | | | 1.5/13.5 | < 1 | 15 | 11 | | 11 | | | 11 | | | |
| V _{IL} | Input Low Voltage | | 4.5/0.5 | < 1 | 5 | | 1.5 | | | 1.5 | | 1.5 | V | |
| | | | 9/1 | < 1 | 10 | | 3 | | | 3 | | 3 | | |
| | | | 13.5/1.5 | < 1 | 15 | | 4 | | | 4 | | 4 | | |
| I _{OH} | Output Drive Current | HCC Types | 0/5 | 2.5 | | 5 | -2 | | -1.6 | -3.2 | | -1.15 | mA | |
| | | | 0/5 | 4.6 | | 5 | -0.64 | | -0.51 | -1 | | -0.36 | | |
| | | | 0/10 | 9.5 | | 10 | -1.6 | | -1.3 | -2.6 | | -0.9 | | |
| | | | 0/15 | 13.5 | | 15 | -4.2 | | -3.4 | -6.8 | | -2.4 | | |
| | | HCF Types | 0/5 | 2.5 | | 5 | -1.53 | | -1.36 | -3.2 | | -1.1 | | |
| | | | 0/5 | 4.6 | | 5 | -0.52 | | -0.44 | -1 | | -0.36 | | |
| | | | 0/10 | 9.5 | | 10 | -1.3 | | -1.1 | -2.6 | | -0.9 | | |
| | | | 0/15 | 13.5 | | 15 | -3.6 | | -3.0 | -6.8 | | -2.4 | | |
| I _{OL} | Output Sink Current | HCC Types | 0/5 | 0.4 | | 5 | 0.64 | | 0.51 | 1 | | 0.36 | mA | |
| | | | 0/10 | 0.5 | | 10 | 1.6 | | 1.3 | 2.6 | | 0.9 | | |
| | | | 0/15 | 1.5 | | 15 | 4.2 | | 3.4 | 6.8 | | 2.4 | | |
| | | HCF Types | 0/5 | 0.4 | | 5 | 0.52 | | 0.44 | 1 | | 0.36 | | |
| | | | 0/10 | 0.5 | | 10 | 1.3 | | 1.1 | 2.6 | | 0.9 | | |
| | | | 0/15 | 1.5 | | 15 | 3.6 | | 3.0 | 6.8 | | 2.4 | | |
| I _{IH} , I _{IL} | Input Leakage Current | HCC Types | 0/18 | Any Input | 18 | | ±0.1 | | ±10 ⁻⁵ | ±0.1 | | ±1 | μA | |
| | | HCF Types | 0/15 | | 15 | | ±0.3 | | ±10 ⁻⁵ | ±0.3 | | ±1 | | |
| C _I | Input Capacitance | | | Any Input | | | | | 5 | 7.5 | | | pF | |

* T_{LOW} = -55 °C for HCC device; -40 °C for HCF device.

* T_{HIGH} = +125 °C for HCC device; +85 °C for HCF device.

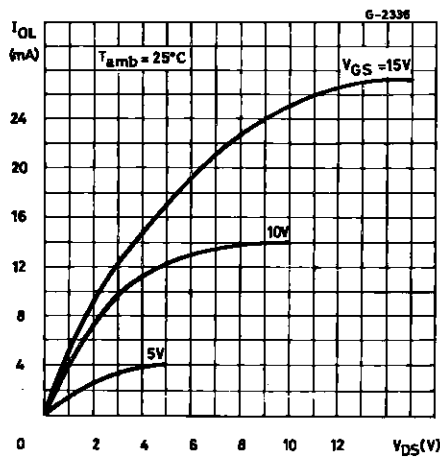
The Noise Margin for both "1" and "0" level is: 1V min. with V_{DD} = 5V, 2V min. with V_{DD} = 10V, 2.5V min. with V_{DD} = 15V

HCC/HCF4000B-4001B-4002B-4025B

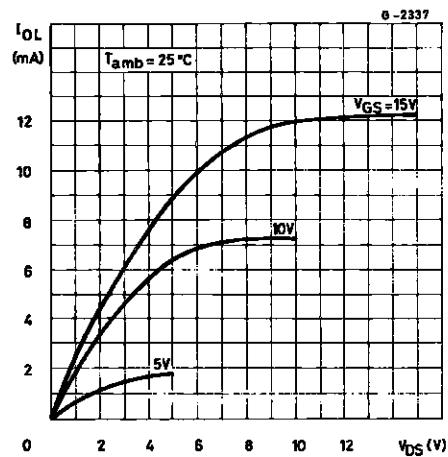
DYNAMIC ELECTRICAL CHARACTERISTICS ($T_{amb} = 25\text{ }^{\circ}\text{C}$, $C_L = 50\text{ pF}$, $R_L = 200\text{ K}\Omega$, typical temperature coefficient for all V_{DD} values is $03\text{ } \%/^{\circ}\text{C}$, all input rise and fall times = 20 ns)

| Symbol | Parameter | Test Conditions | | Value | | | Unit |
|------------------------|------------------------|-----------------|--------------|-------|------|------|------|
| | | | V_{DD} (V) | Min. | Typ. | Max. | |
| t_{PHL} t_{PLH} | Propagation Delay Time | | 5 | | 125 | 250 | ns |
| | | | 10 | | 60 | 120 | |
| | | | 5 | | 45 | 90 | |
| t_{THL} t_{TLH} | Transition Time | | 5 | | 100 | 200 | ns |
| | | | 10 | | 50 | 100 | |
| | | | 15 | | 40 | 80 | |

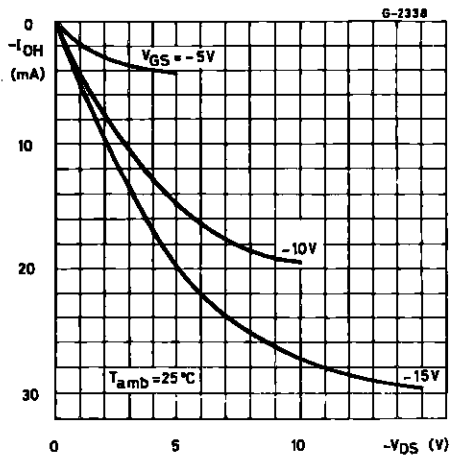
Typical Output Low (sink) Current Characteristics



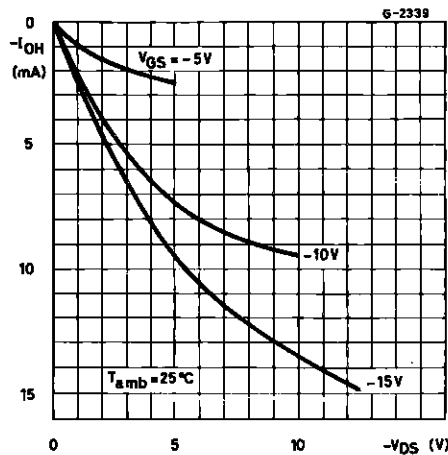
Minimum Output Low (sink) Current Characteristics



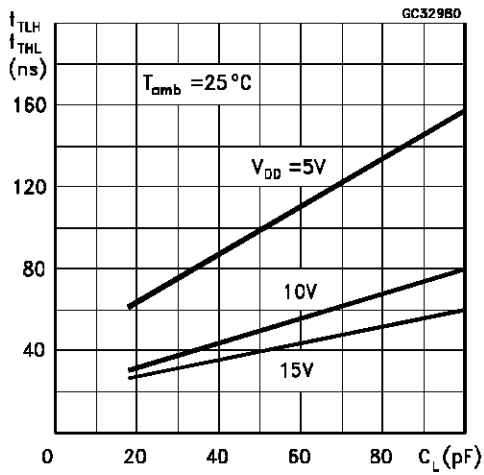
Typical Output High (source) Current Characteristics



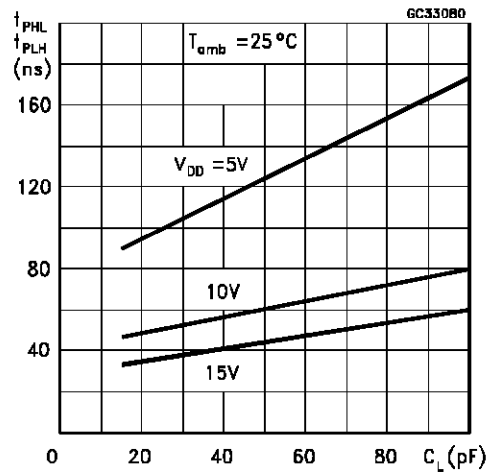
Minimum Output High (source) Current Characteristics



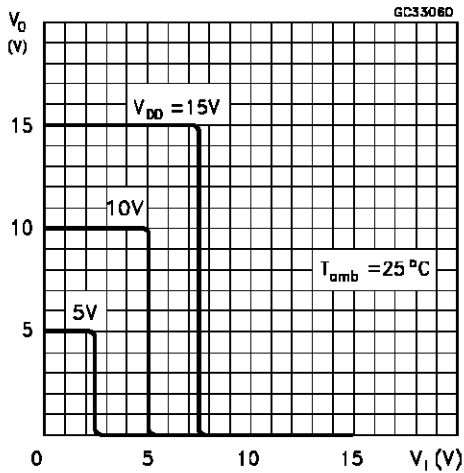
Typical Transition Time vs Load Capacitance



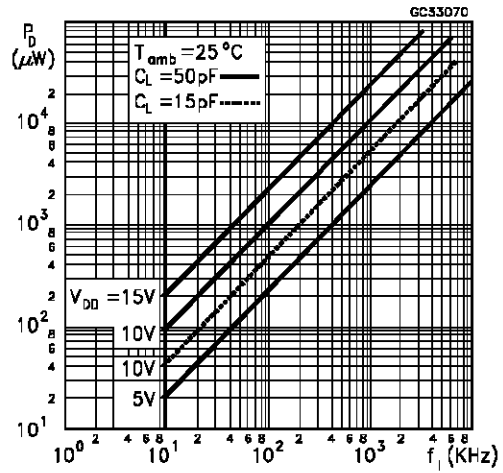
Typical Propagation Delay Time vs Load Capacitance



Typical Voltage Transfer Characteristics as a Function of Temperature

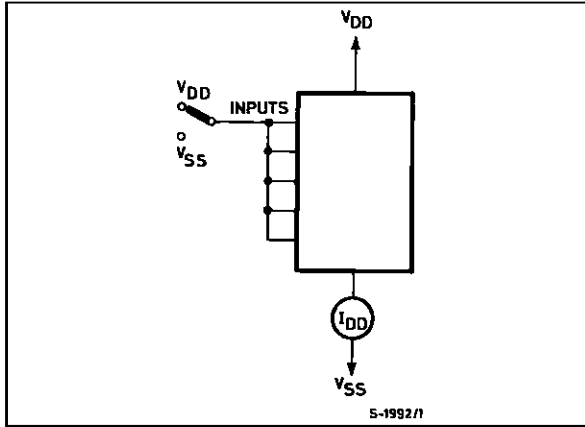


Typical Power Dissipation Per Gate vs Frequency



TEST CIRCUITS

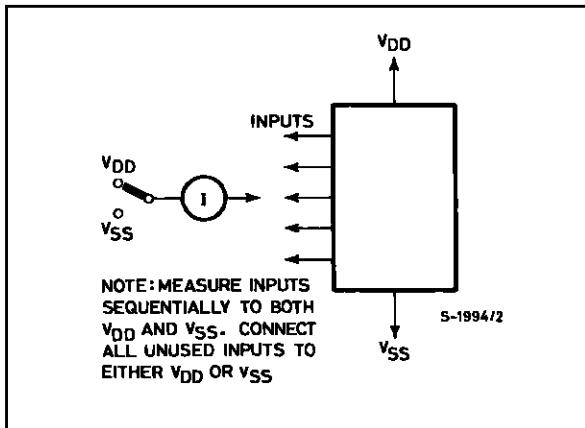
Quiescent Device Current



Noise Immunity.

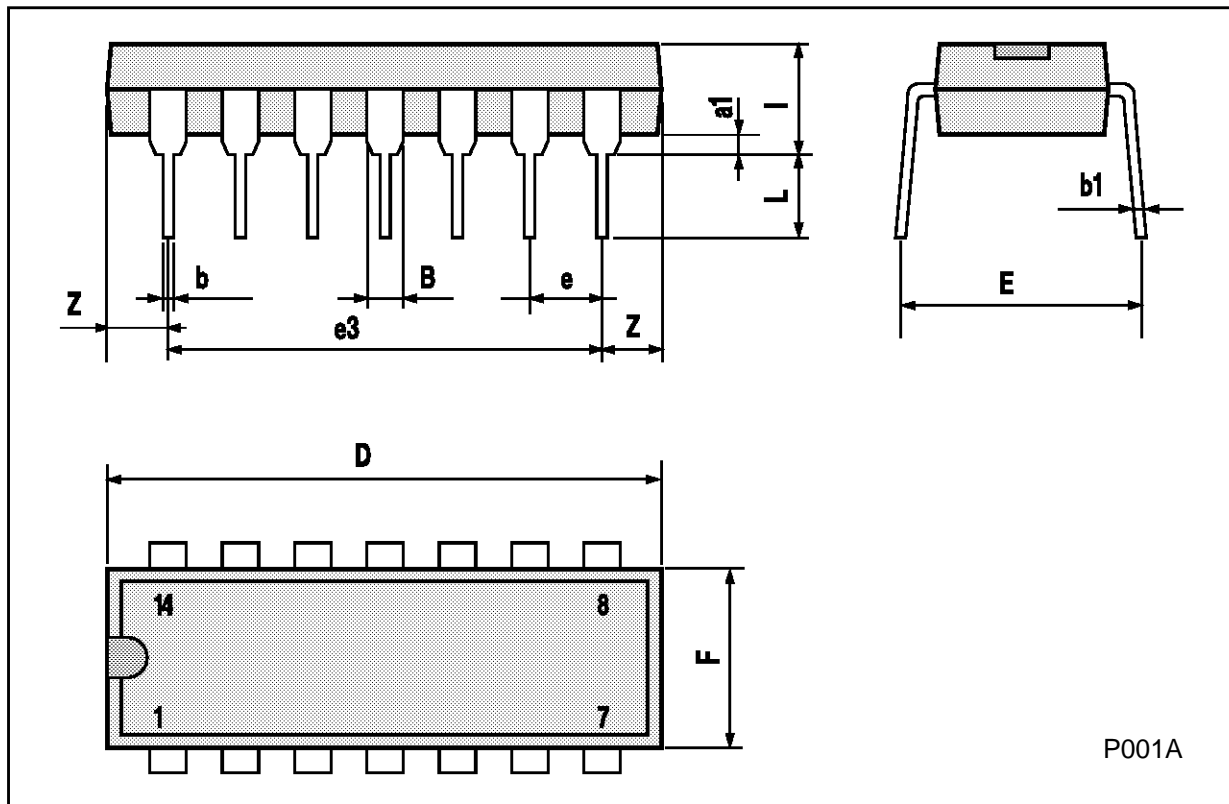


Input Leakage Current.



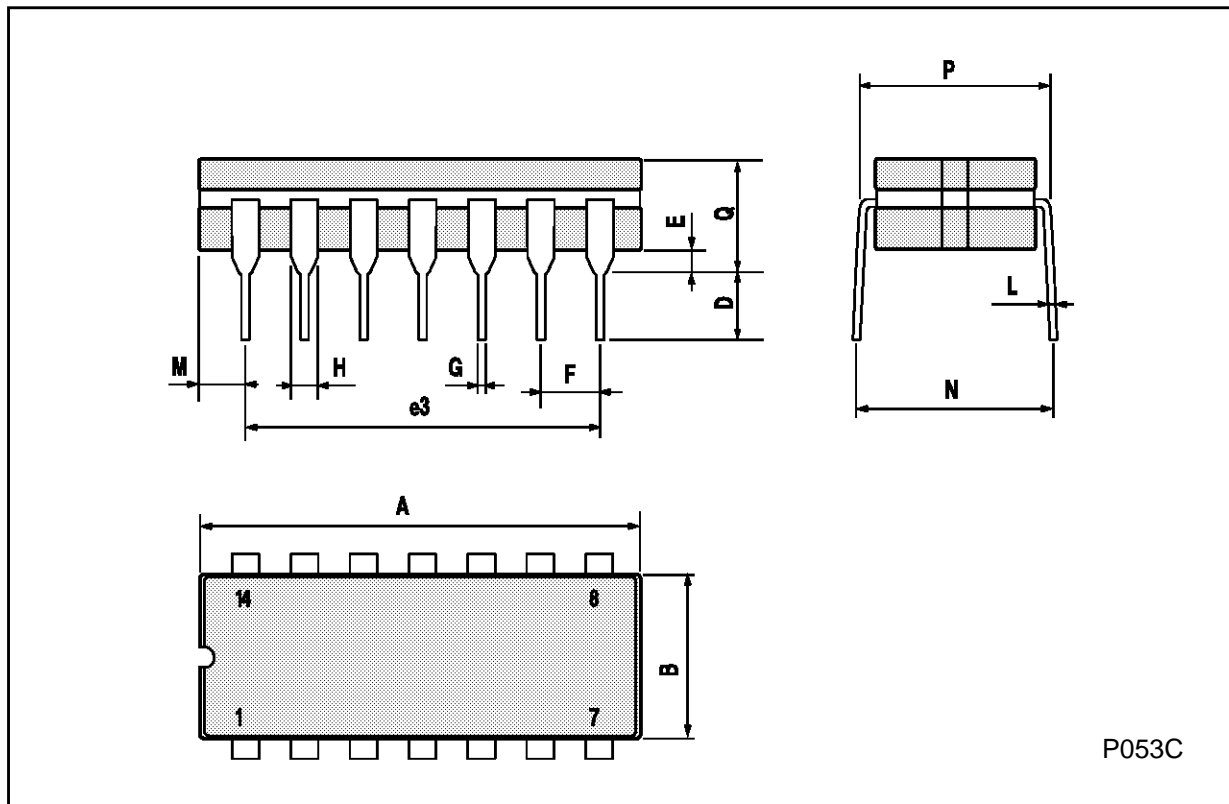
Plastic DIP14 MECHANICAL DATA

| DIM. | mm | | | inch | | |
|------|------|-------|------|-------|-------|-------|
| | MIN. | TYP. | MAX. | MIN. | TYP. | MAX. |
| a1 | 0.51 | | | 0.020 | | |
| B | 1.39 | | 1.65 | 0.055 | | 0.065 |
| b | | 0.5 | | | 0.020 | |
| b1 | | 0.25 | | | 0.010 | |
| D | | | 20 | | | 0.787 |
| E | | 8.5 | | | 0.335 | |
| e | | 2.54 | | | 0.100 | |
| e3 | | 15.24 | | | 0.600 | |
| F | | | 7.1 | | | 0.280 |
| I | | | 5.1 | | | 0.201 |
| L | | 3.3 | | | 0.130 | |
| Z | 1.27 | | 2.54 | 0.050 | | 0.100 |



Ceramic DIP14/1 MECHANICAL DATA

| DIM. | mm | | | inch | | |
|------|------|-------|------|-------|-------|-------|
| | MIN. | TYP. | MAX. | MIN. | TYP. | MAX. |
| A | | | 20 | | | 0.787 |
| B | | | 7.0 | | | 0.276 |
| D | | 3.3 | | | 0.130 | |
| E | 0.38 | | | 0.015 | | |
| e3 | | 15.24 | | | 0.600 | |
| F | 2.29 | | 2.79 | 0.090 | | 0.110 |
| G | 0.4 | | 0.55 | 0.016 | | 0.022 |
| H | 1.17 | | 1.52 | 0.046 | | 0.060 |
| L | 0.22 | | 0.31 | 0.009 | | 0.012 |
| M | 1.52 | | 2.54 | 0.060 | | 0.100 |
| N | | | 10.3 | | | 0.406 |
| P | 7.8 | | 8.05 | 0.307 | | 0.317 |
| Q | | | 5.08 | | | 0.200 |



P053C

SO14 MECHANICAL DATA

| DIM. | mm | | | inch | | |
|------|------------|------|------|-------|-------|-------|
| | MIN. | TYP. | MAX. | MIN. | TYP. | MAX. |
| A | | | 1.75 | | | 0.068 |
| a1 | 0.1 | | 0.2 | 0.003 | | 0.007 |
| a2 | | | 1.65 | | | 0.064 |
| b | 0.35 | | 0.46 | 0.013 | | 0.018 |
| b1 | 0.19 | | 0.25 | 0.007 | | 0.010 |
| C | | 0.5 | | | 0.019 | |
| c1 | 45° (typ.) | | | | | |
| D | 8.55 | | 8.75 | 0.336 | | 0.344 |
| E | 5.8 | | 6.2 | 0.228 | | 0.244 |
| e | | 1.27 | | | 0.050 | |
| e3 | | 7.62 | | | 0.300 | |
| F | 3.8 | | 4.0 | 0.149 | | 0.157 |
| G | 4.6 | | 5.3 | 0.181 | | 0.208 |
| L | 0.5 | | 1.27 | 0.019 | | 0.050 |
| M | | | 0.68 | | | 0.026 |
| S | 8° (max.) | | | | | |



P013G

PLCC20 MECHANICAL DATA

| DIM. | mm | | | inch | | |
|------|------|------|-------|-------|-------|-------|
| | MIN. | TYP. | MAX. | MIN. | TYP. | MAX. |
| A | 9.78 | | 10.03 | 0.385 | | 0.395 |
| B | 8.89 | | 9.04 | 0.350 | | 0.356 |
| D | 4.2 | | 4.57 | 0.165 | | 0.180 |
| d1 | | 2.54 | | | 0.100 | |
| d2 | | 0.56 | | | 0.022 | |
| E | 7.37 | | 8.38 | 0.290 | | 0.330 |
| e | | 1.27 | | | 0.050 | |
| e3 | | 5.08 | | | 0.200 | |
| F | | 0.38 | | | 0.015 | |
| G | | | 0.101 | | | 0.004 |
| M | | 1.27 | | | 0.050 | |
| M1 | | 1.14 | | | 0.045 | |



Information furnished is believed to be accurate and reliable. However, SGS-THOMSON Microelectronics assumes no responsibility for the consequences of use of such information nor for any infringement of patents or other rights of third parties which may result from its use. No license is granted by implication or otherwise under any patent or patent rights of SGS-THOMSON Microelectronics. Specifications mentioned in this publication are subject to change without notice. This publication supersedes and replaces all information previously supplied. SGS-THOMSON Microelectronics products are not authorized for use as critical components in life support devices or systems without express written approval of SGS-THOMSON Microelectronics.

© 1994 SGS-THOMSON Microelectronics - All Rights Reserved

SGS-THOMSON Microelectronics GROUP OF COMPANIES

Australia - Brazil - France - Germany - Hong Kong - Italy - Japan - Korea - Malaysia - Malta - Morocco - The Netherlands -
Singapore - Spain - Sweden - Switzerland - Taiwan - Thailand - United Kingdom - U.S.A