

JPEG Image Compression and Expansion LSI

BU6550KS

The BU6550KS is a LSI that compresses and expands JPEG images and which complies with recommended ISO and IEC standards. It also has high-speed processing capabilities suitable for full-motion JPEG. The BU6550KS is compatible with various color format inputs, such as RGB and YUV (4 : 2 : 2 and 4 : 1 : 1, respectively). Because of internal line memory control, raster-to-block conversion is possible just by connecting the BU6550KS to SRAM.

●Applications

Digital still cameras

●Features

- 1) Compression and expansion in the YUV modes (4 : 2 : 2 and 4 : 1 : 1) corresponding to RGB and JPEG base lines.
- 2) Realtime compression and expansion of 720 × 480 dot, 30 frame-per-second images.
- 3) Internal JPEG-recommended Q table (programmable with an external MPU) and Huffman table. Q table settings can be made using an external MPU.
- 4) Compressed data volume can be adjusted with the effective Q table, calculated by multiplying by the scale factor (alpha factor).
- 5) Internal DMA features for the high-speed transfer of compressed and expanded data.
- 6) Pin-controlled power down mode.
- 7) Frame extension synchronization pin (DCSTRG) simplifies the synchronization of motion JPEG expansion.
- 8) Internal compressed data count capability.
- 9) Two settings (8 and 16 bits) for interface with the MPU (host bus).

●Absolute maximum ratings (Ta=25°C)

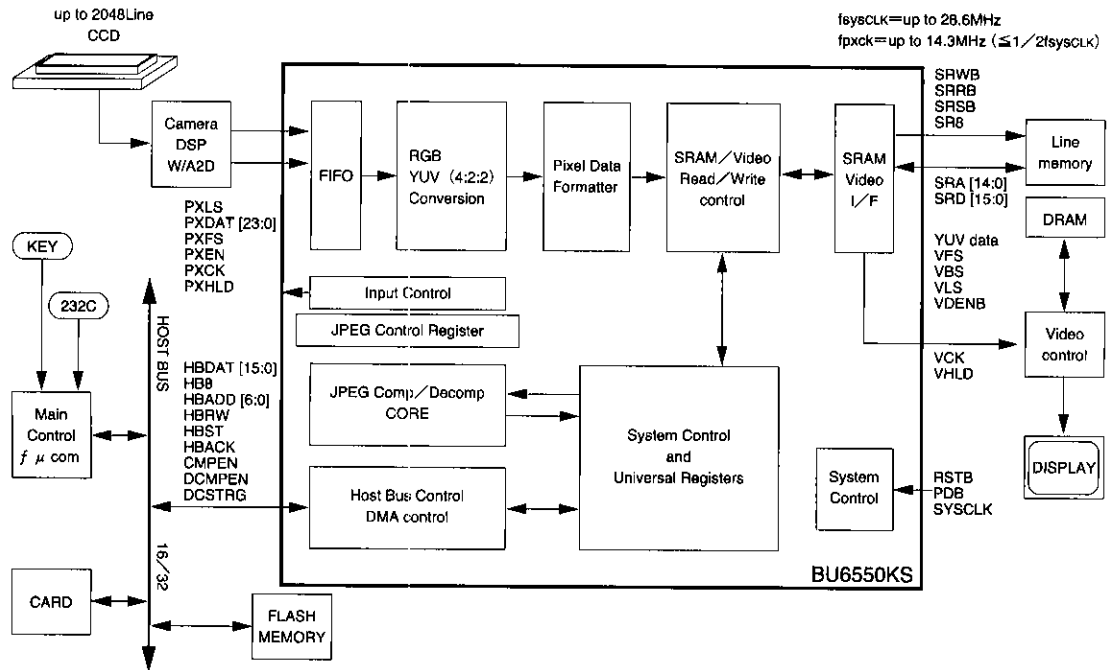
Parameter	Symbol	Limits	Unit
Power supply voltage	V _{CC}	7	V
Power dissipation	P _d	1600	mW
Operating temperature	T _{opr}	0~70	°C
Storage temperature	T _{stg}	-55~125	°C

* Reduced by 16 mW for each increase in Ta of 1°C over 25°C.

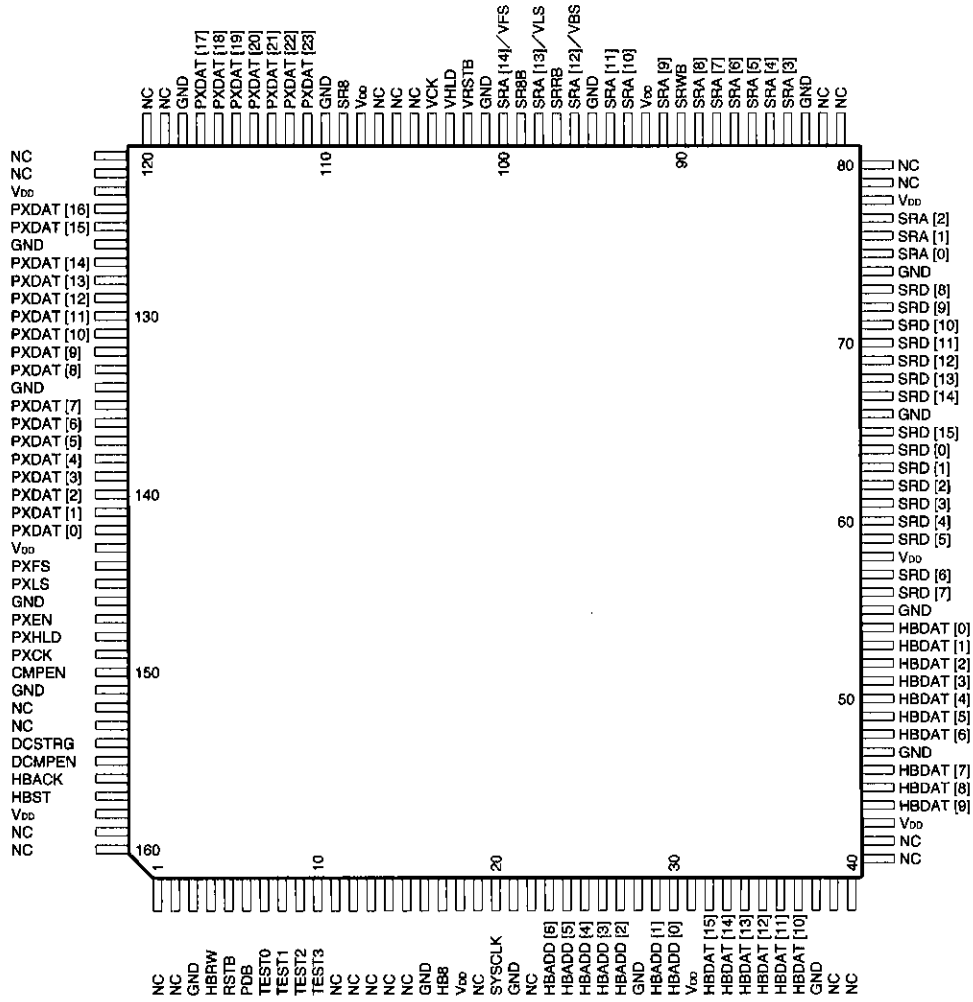
●Recommended operating conditions (Ta=25°C)

Parameter	Symbol	Min.	Typ.	Max.	Unit
Power supply voltage	V _{DD}	3.0	3.3	3.6	V
System clock frequency	f _{CLK}	—	—	28.6	MHz

●Block diagram



● Pin descriptions



JPEG compression and expansion LSI

Multimedia video

●Electrical characteristics (unless otherwise noted, Ta=25°C, VDD=3.3V)

Parameter	Symbol	Min.	Typ.	Max.	Unit	Conditions
Current consumption	I _{DDOP}	—	100	—	mA	
H input voltage	V _{IH}	2.0	—	V _{CC}	V	
L input voltage	V _{IL}	0	—	0.8	V	
H input current	I _{IH}	—	0.1	1.0	μA	
L input current	I _{IL}	—	0.1	1.0	μA	
H output current	I _{OH}	—	—	2.2	mA	V _{OH} =2.97V
L output current	I _{OL}	—	—	2.2	mA	V _{OL} =0.33V

●Circuit operation

(1) Compression of JPEG image data

The input signal of image data from the camera interface (CCD) is compressed in the JPEG format and output as compressed data to the host bus interface. The maximum size of image data input is 2,048 × 2,048 pixels. Horizontal and vertical image data size can be set in 16-pixel increments.

The input signal from the camera interface (CCD)

<Raster data>

RGB input (8 bits each of R, G and B) data bus width : 24 bits

YUV (4 : 2 : 2) input (8 bits each of Y, U and V) data bus width : 16 bits

YUV (4 : 1 : 1) input (8 bits each of Y, U and V) data bus width : 12 bits

<MCU data>

YUV (4 : 2 : 2) input (8 bits each of Y, U and V) data bus width : 16 bits Raster data is image data that is input in a format suited to the video signal's horizontal and vertical timing. In other words, the data stream proceeds from left to right in a single row, beginning with the first row from the top and proceeding downward. Input raster data is converted to MCU data by the SRAM line buffer. MCU data is 8 pixels by 8 pixels (horizontal by vertical), and is transferred 1 block at a time.

Output signal from the host bus interface

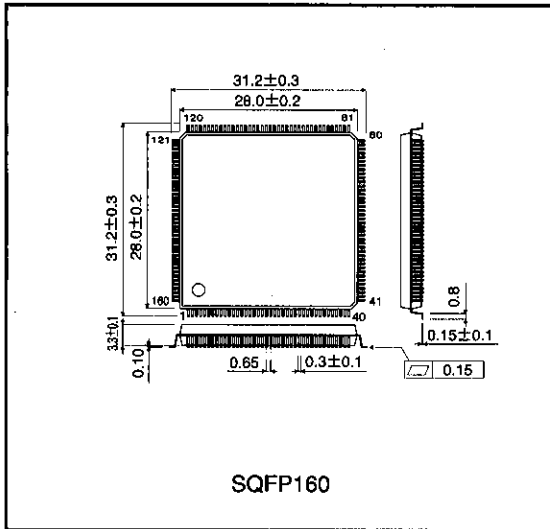
The JPEG data stream is output in the DMA mode. Data width depends on the data bus width, which can be set to 8 or 16 bits. The register can be set to either add a header to the data stream or to output data only. When no header is added, the system control must add and output the header.

(2) Expansion of JPEG data

The JPEG data stream is input from the host bus interface in the DMA mode and expanded. Expanded image data is output in the YUV (4 : 2 : 2) MCU format (which has a width of 16 bits) from the video interface, which is also shared with the SRAM interface, and which outputs the frame-line synchronization signal, not the address. As with compression, image size can be set in 16-pixel increments, with a maximum size of 2,048 × 2,048 pixels. Horizontal and vertical size, Q table, alpha factor and other information is determined internally from the header.

(3) Motion JPEG (recording and playback of full-motion video) Image data of up to 720 × 480 pixels can be compressed and expanded at the high realtime speed of 30 frames per second at a system clock frequency of 28.6MHz. This makes possible the recording and playback of full-motion video images.

● External dimensions (Units: mm)



JPEG compression and expansion LSI

Multimedia video

Notes

- The contents described in this catalogue are correct as of March 1997.
- No unauthorized transmission or reproduction of this book, either in whole or in part, is permitted.
- The contents of this book are subject to change without notice. Always verify before use that the contents are the latest specifications. If, by any chance, a defect should arise in the equipment as a result of use without verification of the specifications, ROHM CO., LTD., can bear no responsibility whatsoever.
- Application circuit diagrams and circuit constants contained in this data book are shown as examples of standard use and operation. When designing for mass production, please pay careful attention to peripheral conditions.
- Any and all data, including, but not limited to application circuit diagrams, information, and various data, described in this catalogue are intended only as illustrations of such devices and not as the specifications for such devices. ROHM CO., LTD., disclaims any warranty that any use of such device shall be free from infringement of any third party's intellectual property rights or other proprietary rights, and further, assumes absolutely no liability in the event of any such infringement, or arising from or connected with or related to the use of such devices.
- Upon the sale of any such devices; other than for the buyer's right to use such devices itself, resell or otherwise dispose of the same; no express or implied right or license to practice or commercially exploit any intellectual property rights or other proprietary rights owned or controlled by ROHM CO., LTD., is granted to any such buyer.
- The products in this manual are manufactured with silicon as the main material.
- The products in this manual are not of radiation resistant design.

The products listed in this catalogue are designed to be used with ordinary electronic equipment or devices (such as audio-visual equipment, office-automation equipment, communications devices, electrical appliances, and electronic toys). Should you intend to use these products with equipment or devices which require an extremely high level of reliability and the malfunction of which would directly endanger human life (such as medical instruments, transportation equipment, aerospace machinery, nuclear-reactor controllers, fuel controllers, or other safety devices) please be sure to consult with our sales representatives in advance.

- Notes when exporting
 - It is essential to obtain export permission when exporting any of the above products when it falls under the category of strategic material (or labor) as determined by foreign exchange or foreign trade control laws.
 - Please be sure to consult with our sales representatives to ascertain whether any product is classified as a strategic material.