

COMPLEMENTARY SILICON POWER TRANSISTORS

- SGS-THOMSON PREFERRED SALESTYPES
- COMPLEMENTARY PNP - NPN DEVICES

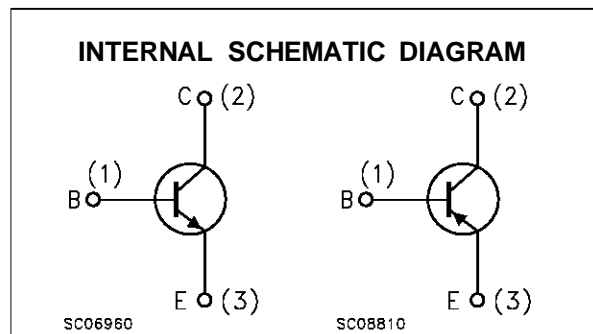
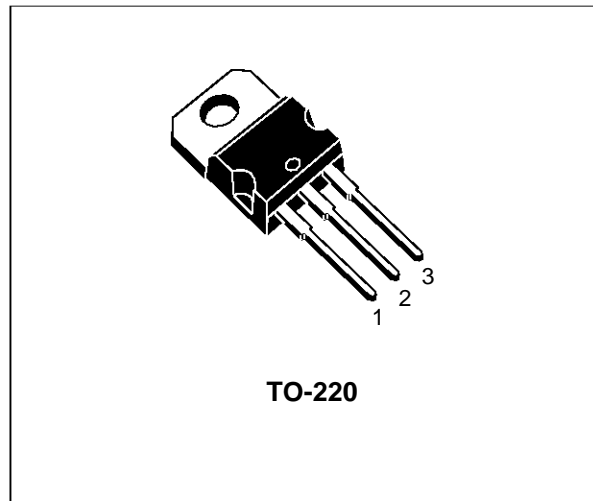
APPLICATION

- LINEAR AND SWITCHING INDUSTRIAL EQUIPMENT

DESCRIPTION

The BD707, BD709, and BD711 are silicon epitaxial-base NPN power transistors in Jedec TO-220 plastic package, intended for use in power linear and switching applications.

The complementary PNP types are BD708, BD710, and BD712 respectively.



ABSOLUTE MAXIMUM RATINGS

| Symbol | Parameter | Value | | | Unit | |
|-----------|--|-------|------------|-------|------|------------------|
| | | NPN | BD707 | BD709 | | BD711 |
| | | PNP | BD708 | BD710 | | BD712 |
| V_{CBO} | Collector-Base Voltage ($I_E = 0$) | | 60 | 80 | 100 | V |
| V_{CER} | Collector-Emitter Voltage ($V_{BE} = 0$) | | 60 | 80 | 100 | V |
| V_{CEO} | Collector-Emitter Voltage ($I_B = 0$) | | 60 | 80 | 100 | V |
| V_{EBO} | Emitter-Base Voltage ($I_C = 0$) | | 5 | | | V |
| I_C | Collector Current | | 12 | | | A |
| I_B | Base Current | | 5 | | | A |
| P_{tot} | Total Dissipation at $T_c \leq 25^\circ\text{C}$ | | 75 | | | W |
| T_{stg} | Storage Temperature | | -65 to 150 | | | $^\circ\text{C}$ |
| T_j | Max. Operating Junction Temperature | | 150 | | | $^\circ\text{C}$ |

For PNP types voltage and current values are negative

BD707/708/709/710/711/712

THERMAL DATA

| | | | | |
|-----------------------|-------------------------------------|-----|------|------|
| R _{thj-case} | Thermal Resistance Junction-case | Max | 1.67 | °C/W |
| R _{thj-amb} | Thermal Resistance Junction-ambient | Max | 70 | °C/W |

ELECTRICAL CHARACTERISTICS (T_{case} = 25 °C unless otherwise specified)

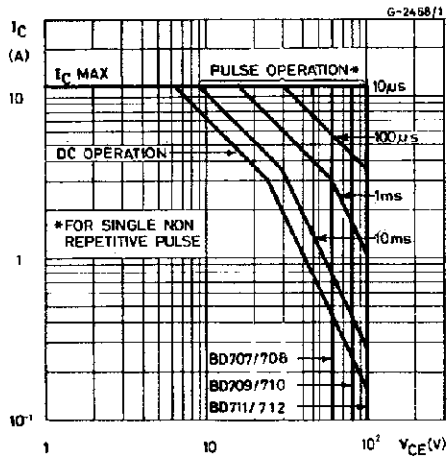
| Symbol | Parameter | Test Conditions | Min. | Typ. | Max. | Unit | |
|--|---|---|--------------------------|------|------|------|--|
| I _{CB0} | Collector Cut-off Current (I _E = 0) | for BD707/708 V _{CB} = 60 V | | | 100 | μA | |
| | | for BD709/710 V _{CB} = 80 V | | | 100 | μA | |
| | | for BD711/712 V _{CB} = 100 V | | | 100 | μA | |
| | | T _{case} = 150 °C | | | | | |
| | | for BD707/708 V _{CB} = 60 V | | | 1 | mA | |
| | | for BD709/710 V _{CB} = 80 V | | | 1 | mA | |
| for BD711/712 V _{CB} = 100 V | | | 1 | mA | | | |
| I _{CEO} | Collector Cut-off Current (I _B = 0) | for BD707/708 V _{CE} = 30 V | | | 100 | mA | |
| | | for BD709/710 V _{CE} = 40 V | | | 100 | mA | |
| | | for BD711/712 V _{CE} = 50 V | | | 100 | mA | |
| I _{EBO} | Emitter Cut-off Current (I _C = 0) | V _{EB} = 5 V | | | 1 | mA | |
| V _{CEO(sus)*} | Collector-Emitter Sustaining Voltage (I _B = 0) | I _C = 100 mA | for BD707/708 60 | | | V | |
| | | | for BD709/710 80 | | | V | |
| | | | for BD711/712 100 | | | V | |
| V _{CE(sat)*} | Collector-Emitter Saturation Voltage | I _C = 4 A I _B = 0.4 A | | | 1 | V | |
| V _{CEK*} | Knee Voltage | I _C = 3 A I _B = ** | | | 0.4 | V | |
| V _{BE*} | Base-Emitter Voltage | I _C = 4 A V _{CE} = 4 V | | | 1.5 | V | |
| h _{FE*} | DC Current Gain | I _C = 0.5 A V _{CE} = 2 V | 40 | 120 | 400 | | |
| | | I _C = 2 A V _{CE} = 2 V | 30 | | | | |
| | | for BD707/708 | 30 | | | | |
| | | for BD709/710 | 30 | | | | |
| | | I _C = 4 A V _{CE} = 4 V | 15 | | 150 | | |
| | | for BD707/708 | 15 | | 150 | | |
| for BD709/710 | 15 | | 150 | | | | |
| for BD711/712 | 15 | | 150 | | | | |
| I _C = 10 A V _{CE} = 4 V | 5 | 10 | | | | | |
| for BD707/708 | | 8 | | | | | |
| for BD709/710 | | 8 | | | | | |
| for BD711/712 | | 8 | | | | | |
| f _T | Transition frequency | I _C = 300 mA V _{CE} = 3 V | 3 | | | MHz | |

* Pulsed: Pulse duration = 300 μs, duty cycle 1.5 %

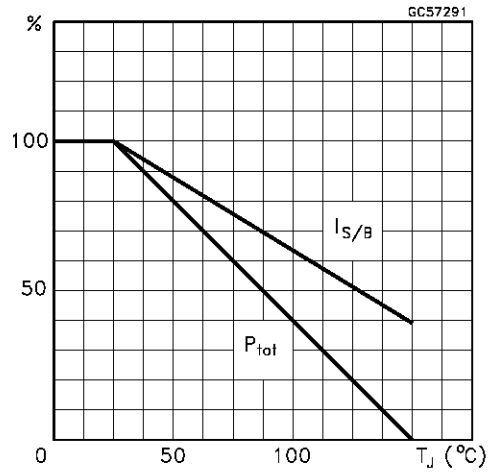
** Value for which I_C = 3.3 A at V_{CE} = 2V.

For PNP types voltage and current values are negative.

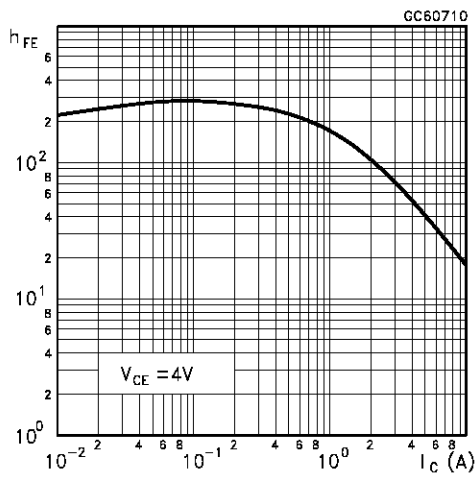
Safe Operating Areas



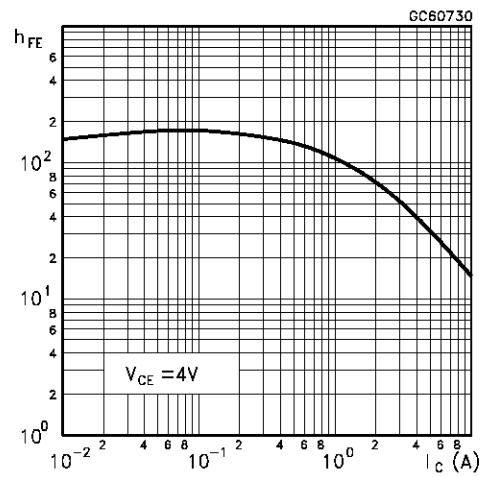
Derating Curve



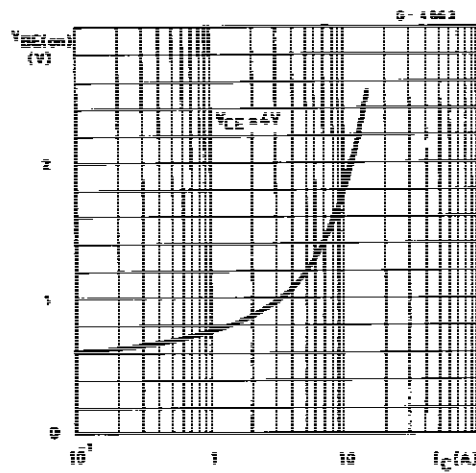
DC Current Gain(NPN type)



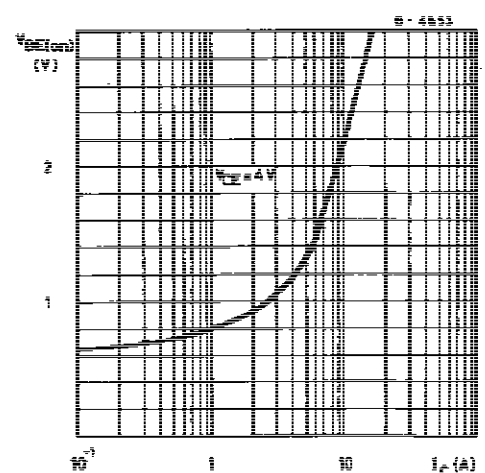
DC Current Gain(PNP type)



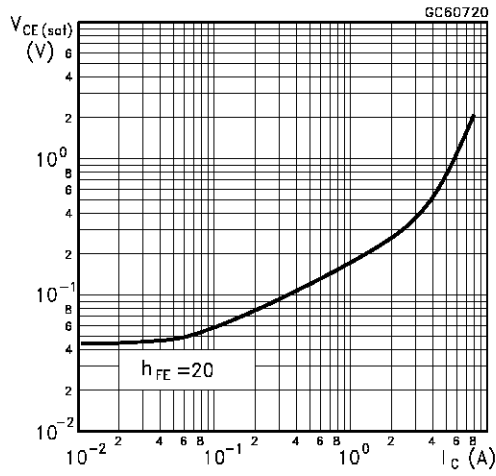
DC Transconductance(NPN type)



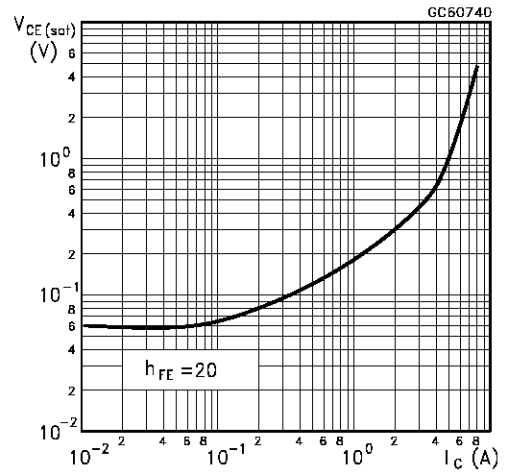
DC Transconductance(PNP type)



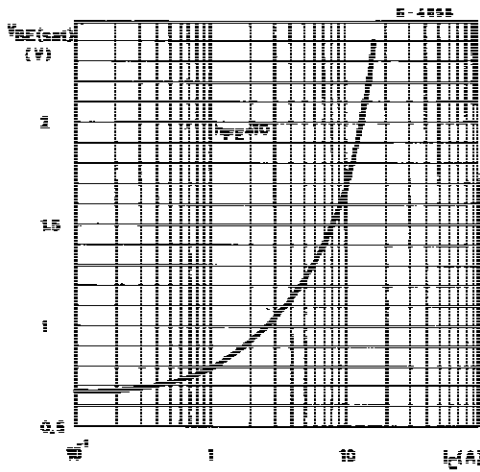
Collector-Emitter Saturation Voltage (NPN type)



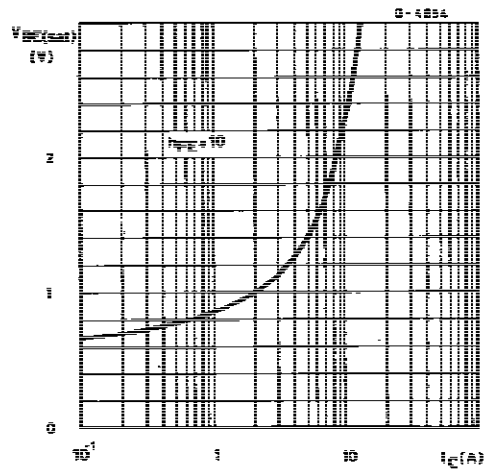
Collector-Emitter Saturation Voltage (PNP type)



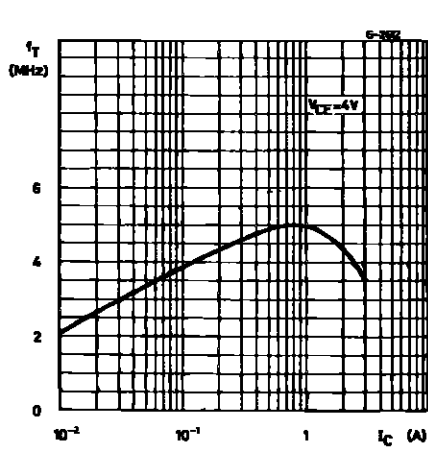
Base-Emitter Saturation Voltage (NPN type)



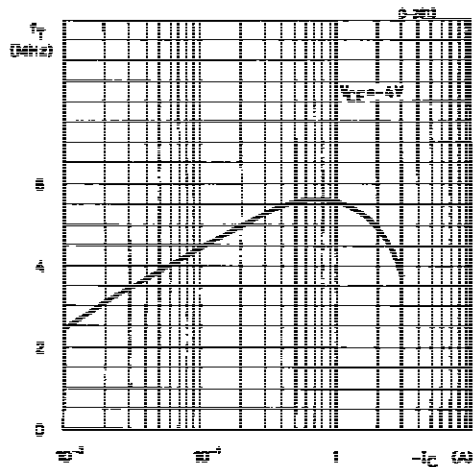
Base-Emitter Saturation Voltage (PNP type)



Transition Frequency (NPN type)

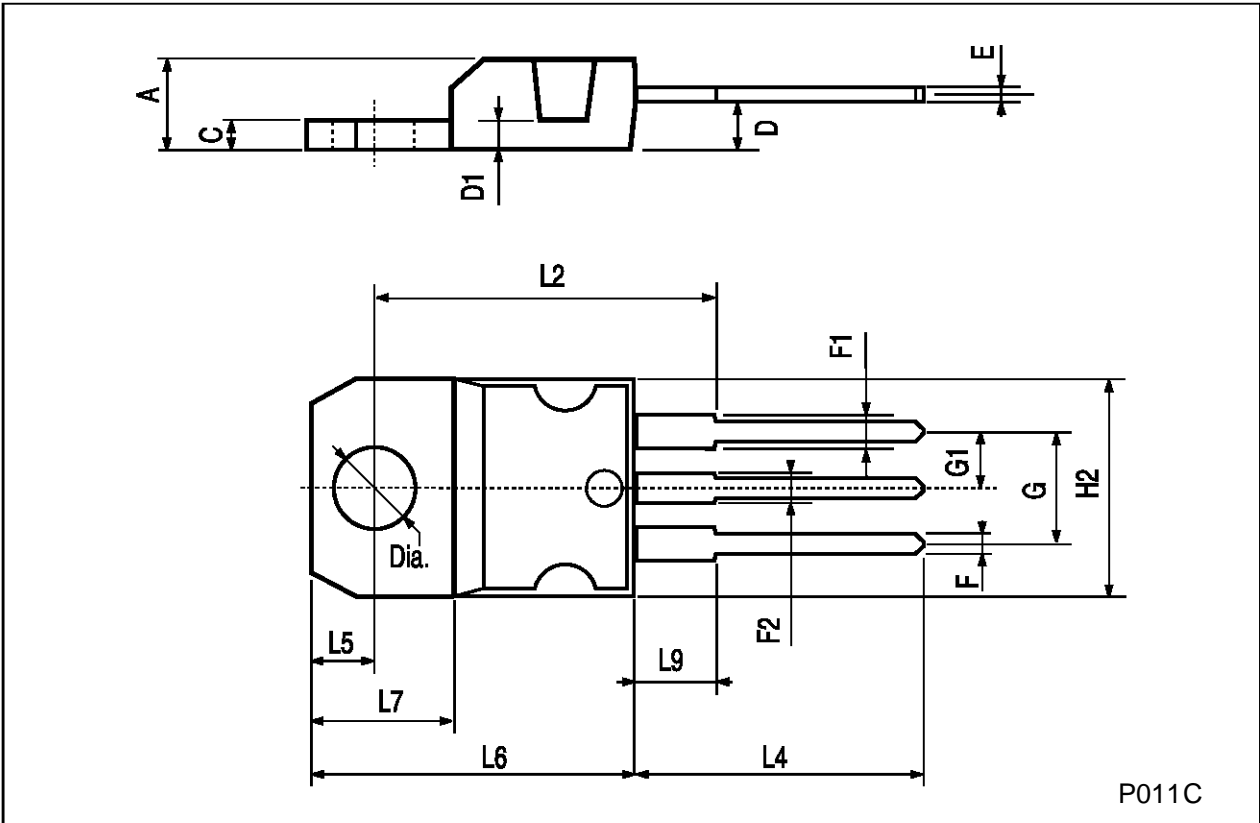


Transition Frequency (PNP type)



TO-220 MECHANICAL DATA

| DIM. | mm | | | inch | | |
|------|-------|------|-------|-------|-------|-------|
| | MIN. | TYP. | MAX. | MIN. | TYP. | MAX. |
| A | 4.40 | | 4.60 | 0.173 | | 0.181 |
| C | 1.23 | | 1.32 | 0.048 | | 0.051 |
| D | 2.40 | | 2.72 | 0.094 | | 0.107 |
| D1 | | 1.27 | | | 0.050 | |
| E | 0.49 | | 0.70 | 0.019 | | 0.027 |
| F | 0.61 | | 0.88 | 0.024 | | 0.034 |
| F1 | 1.14 | | 1.70 | 0.044 | | 0.067 |
| F2 | 1.14 | | 1.70 | 0.044 | | 0.067 |
| G | 4.95 | | 5.15 | 0.194 | | 0.203 |
| G1 | 2.4 | | 2.7 | 0.094 | | 0.106 |
| H2 | 10.0 | | 10.40 | 0.393 | | 0.409 |
| L2 | | 16.4 | | | 0.645 | |
| L4 | 13.0 | | 14.0 | 0.511 | | 0.551 |
| L5 | 2.65 | | 2.95 | 0.104 | | 0.116 |
| L6 | 15.25 | | 15.75 | 0.600 | | 0.620 |
| L7 | 6.2 | | 6.6 | 0.244 | | 0.260 |
| L9 | 3.5 | | 3.93 | 0.137 | | 0.154 |
| DIA. | 3.75 | | 3.85 | 0.147 | | 0.151 |



Information furnished is believed to be accurate and reliable. However, SGS-THOMSON Microelectronics assumes no responsibility for the consequences of use of such information nor for any infringement of patents or other rights of third parties which may result from its use. No license is granted by implication or otherwise under any patent or patent rights of SGS-THOMSON Microelectronics. Specifications mentioned in this publication are subject to change without notice. This publication supersedes and replaces all information previously supplied. SGS-THOMSON Microelectronics products are not authorized for use as critical components in life support devices or systems without express written approval of SGS-THOMSON Microelectronics.

© 1997 SGS-THOMSON Microelectronics - Printed in Italy - All Rights Reserved

SGS-THOMSON Microelectronics GROUP OF COMPANIES
Australia - Brazil - Canada - China - France - Germany - Hong Kong - Italy - Japan - Korea - Malaysia - Malta - Morocco - The Netherlands -
Singapore - Spain - Sweden - Switzerland - Taiwan - Thailand - United Kingdom - U.S.A

...