

COMPLEMENTARY SILICON POWER TRANSISTORS

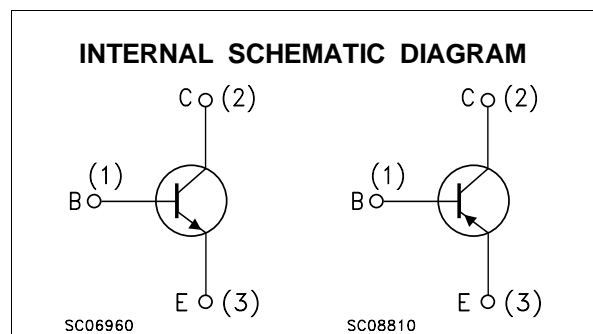
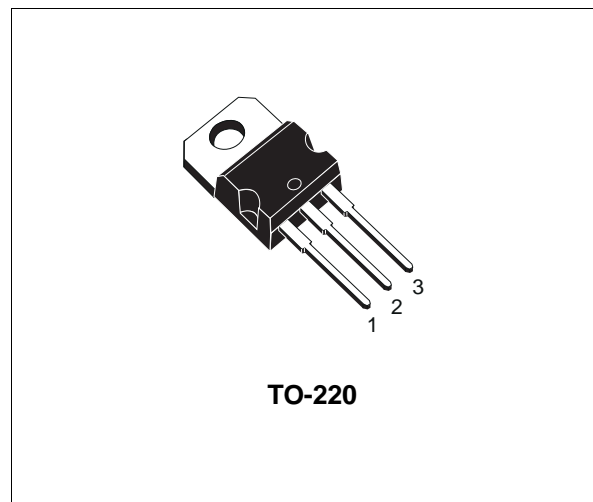
■ SGS-THOMSON PREFERRED SALESTYPES

DESCRIPTION

The BD243B and BD243C are silicon epitaxial-base NPN transistors mounted in Jedec TO-220 plastic package.

They are intended for use in medium power linear and switching applications.

The complementary PNP types are BD244B and BD244C respectively.



ABSOLUTE MAXIMUM RATINGS

| Symbol | Parameter | Value | | Unit | |
|-----------|--|-------|------------|------|------------------|
| | | NPN | BD243B | | BD243C |
| | | PNP | BD244B | | BD244C |
| V_{CBO} | Collector-Base Voltage ($I_E = 0$) | | 80 | 100 | V |
| V_{CEO} | Collector-Emitter Voltage ($I_B = 0$) | | 80 | 100 | V |
| V_{EBO} | Emitter-Base Voltage ($I_C = 0$) | | 5 | | V |
| I_C | Collector Current | | 6 | | A |
| I_{CM} | Collector Peak Current | | 10 | | A |
| I_B | Base Current | | 2 | | A |
| P_{tot} | Total Dissipation at $T_c \leq 25^\circ\text{C}$ | | 65 | | W |
| T_{stg} | Storage Temperature | | -65 to 150 | | $^\circ\text{C}$ |
| T_j | Max. Operating Junction Temperature | | 150 | | $^\circ\text{C}$ |

For PNP types voltage and current values are negative.

BD243B / BD243C / BD244B / BD244C

THERMAL DATA

| | | | | |
|-----------------------|-------------------------------------|-----|------|------|
| R _{thj-case} | Thermal Resistance Junction-case | Max | 1.92 | °C/W |
| R _{thj-amb} | Thermal Resistance Junction-ambient | Max | 62.5 | °C/W |

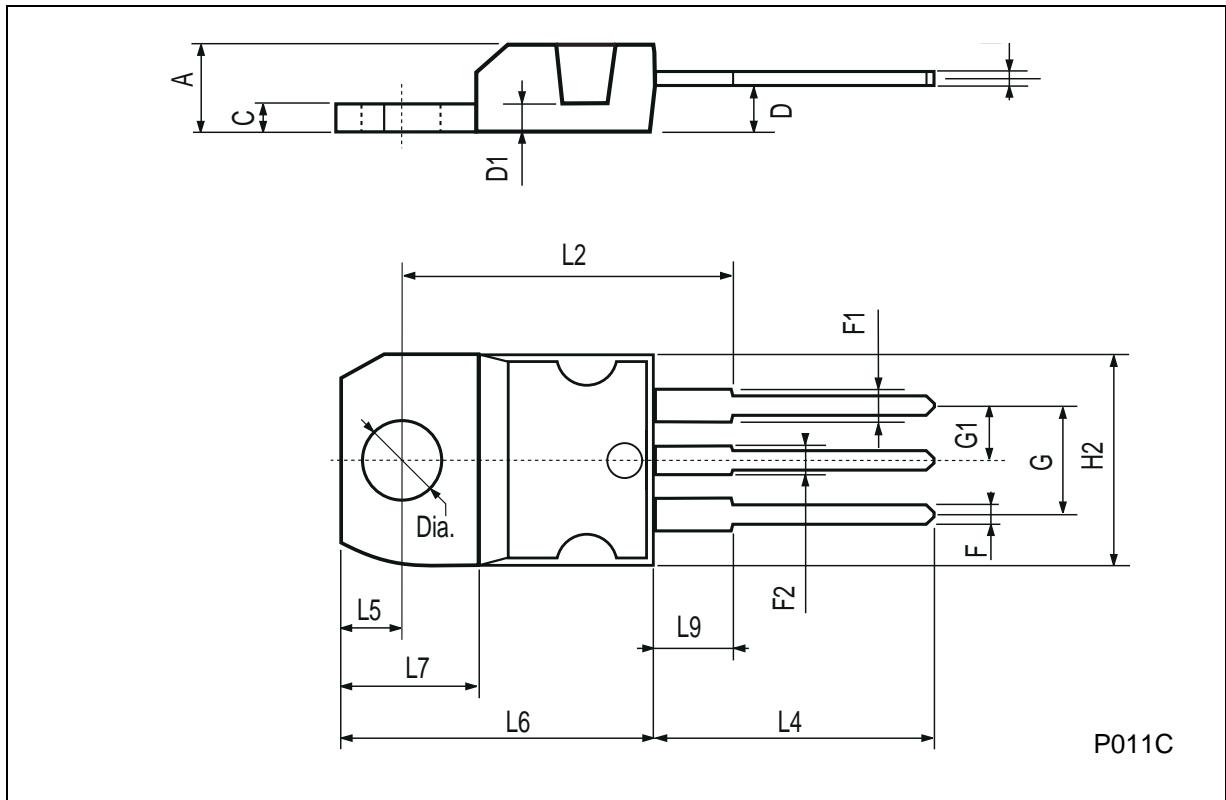
ELECTRICAL CHARACTERISTICS (T_{case} = 25 °C unless otherwise specified)

| Symbol | Parameter | Test Conditions | Min. | Typ. | Max. | Unit |
|------------------------|---|--|-----------|------|------------|----------|
| I _{CES} | Collector Cut-off Current (V _{BE} = 0) | V _{CE} = rated V _{CEO} | | | 0.4 | mA |
| I _{CEO} | Collector Cut-off Current (I _B = 0) | for BD243B/BD244B V _{CE} = 60 V for BD243C/BD244C V _{CE} = 60 V | | | 0.7 0.7 | mA mA |
| I _{EBO} | Emitter Cut-off Current (I _C = 0) | V _{EB} = 5 V | | | 1 | mA |
| V _{CEO(sus)*} | Collector-Emitter Sustaining Voltage | I _C = 30 mA for BD243B/BD244B for BD243C/BD244C | 80 100 | | | V V |
| V _{CE(sat)*} | Collector-Emitter Saturation Voltage | I _C = 6 A I _B = 1 A | | | 1.5 | V |
| V _{BE*} | Base-Emitter Voltage | I _C = 6 A V _{CE} = 4 V | | | 2 | V |
| h _{FE*} | DC Current Gain | I _C = 0.3 A V _{CE} = 4 V I _C = 3 A V _{CE} = 4 V | 30 15 | | | |
| h _{fe} | Small Signal Current Gain | I _C = 0.5 A V _{CE} = 10 V f = 1MHz I _C = 0.5 A V _{CE} = 10 V f = 1KHz | 3 20 | | | |

* Pulsed: Pulse duration = 300 μs, duty cycle ≤ 2 %
For PNP types voltage and current values are negative.

TO-220 MECHANICAL DATA

| DIM. | mm | | | inch | | |
|------|-------|------|-------|-------|-------|-------|
| | MIN. | TYP. | MAX. | MIN. | TYP. | MAX. |
| A | 4.40 | | 4.60 | 0.173 | | 0.181 |
| C | 1.23 | | 1.32 | 0.048 | | 0.051 |
| D | 2.40 | | 2.72 | 0.094 | | 0.107 |
| D1 | | 1.27 | | | 0.050 | |
| E | 0.49 | | 0.70 | 0.019 | | 0.027 |
| F | 0.61 | | 0.88 | 0.024 | | 0.034 |
| F1 | 1.14 | | 1.70 | 0.044 | | 0.067 |
| F2 | 1.14 | | 1.70 | 0.044 | | 0.067 |
| G | 4.95 | | 5.15 | 0.194 | | 0.203 |
| G1 | 2.4 | | 2.7 | 0.094 | | 0.106 |
| H2 | 10.0 | | 10.40 | 0.393 | | 0.409 |
| L2 | | 16.4 | | | 0.645 | |
| L4 | 13.0 | | 14.0 | 0.511 | | 0.551 |
| L5 | 2.65 | | 2.95 | 0.104 | | 0.116 |
| L6 | 15.25 | | 15.75 | 0.600 | | 0.620 |
| L7 | 6.2 | | 6.6 | 0.244 | | 0.260 |
| L9 | 3.5 | | 3.93 | 0.137 | | 0.154 |
| DIA. | 3.75 | | 3.85 | 0.147 | | 0.151 |



Information furnished is believed to be accurate and reliable. However, SGS-THOMSON Microelectronics assumes no responsibility for the consequences of use of such information nor for any infringement of patents or other rights of third parties which may result from its use. No license is granted by implication or otherwise under any patent or patent rights of SGS-THOMSON Microelectronics. Specifications mentioned in this publication are subject to change without notice. This publication supersedes and replaces all information previously supplied. SGS-THOMSON Microelectronics products are not authorized for use as critical components in life support devices or systems without express written approval of SGS-THOMSON Microelectronics.

© 1997 SGS-THOMSON Microelectronics - Printed in Italy - All Rights Reserved

SGS-THOMSON Microelectronics GROUP OF COMPANIES
Australia - Brazil - Canada - China - France - Germany - Hong Kong - Italy - Japan - Korea - Malaysia - Malta - Morocco - The Netherlands -
Singapore - Spain - Sweden - Switzerland - Taiwan - Thailand - United Kingdom - U.S.A