

3-channel switching regulator controller

BA9706K

The BA9706K is a 3-channel switching regulator controller that uses a pulse width modulation (PWM) system. Channels 1 and 2 are designed for driving PNP transistors, and channel 3 is designed for driving NPN transistors.

●Applications

DC-DC converters in camcoders, notebook computers, and word processors

●Features

- 1) Reference voltage precision is $\pm 1\%$; output stages are based on the push-pull method (resembling the totem-pole method), and ON/OFF currents can be set independently.
- 2) Timer latch circuit protects the IC against short-circuiting.
- 3) Pins allow ON/OFF control of channel 3 only, or all channels at once.
- 4) Undervoltage lockout (UVLO) circuit is built in.
- 5) Dead timer controller is included in channels 1 and 3 to allow various applications.

●Absolute maximum ratings (Ta=25°C)

Parameter	Symbol	Limits	Unit
Power supply voltage	V _{cc}	20	V
Power dissipation	P _d	400*	mW
Operating temperature	T _{opr}	-25~75	°C
Storage temperature	T _{stg}	-55~125	°C

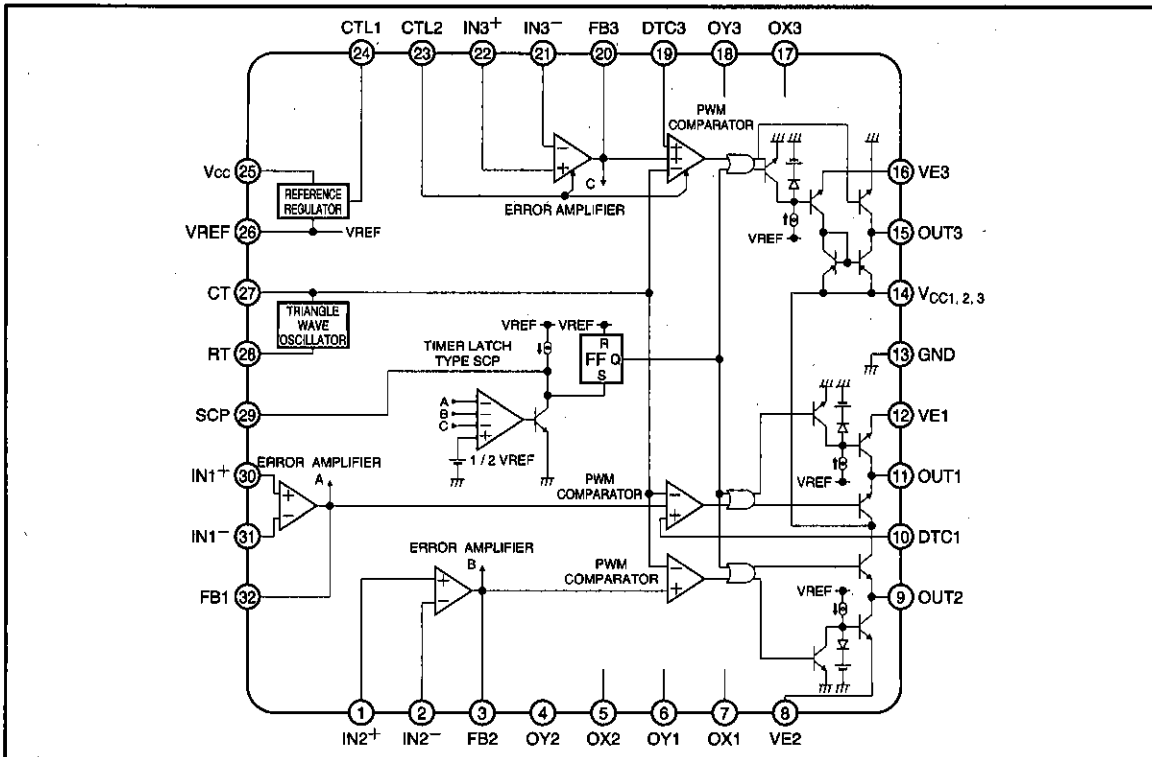
* Reduce power by 4 mW for each degree above 25°C.

●Recommended operating conditions

Parameter	Symbol	Limits	Unit
Operating power supply voltage	V _{cc}	3.6~18*1	V

*1 Should not exceed the P_d-value.

● Block diagram



Regulator ICs

Switching Regulators

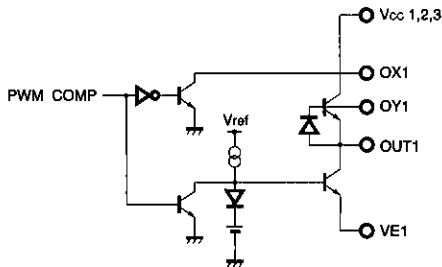
●Pin descriptions

Pin No.	Pin name	Function
1	IN2 ⁺	Channel 2 error amplifier non-inverted input pin
2	IN2 ⁻	Channel 2 error amplifier inverted input pin
3	FB2	Channel 2 error amplifier output pin; gain setting and phase compensation are controlled by connecting a resistor and capacitor between this pin and the IN2 ⁻ pin
4	OY2	Channel 2 output transistor off current setting pin; off current of the output transistor is set by connecting a capacitor between the OX2 and OY2 pins
5	OX2	
6	OY1	Channel 1 output transistor off current setting pin; off current of the output transistor is set by connecting a capacitor between the OX1 and OY1 pins
7	OX1	
8	VE2	Channel 2 output current setting pin; output current of the OUT2 pin is set by connecting a resistor between this pin and GND
9	OUT2	Channel 2 output pin
10	DTC1	Channel 1 rest period setting pin; the rest period of channel 1 is set by dividing the VREF pin voltage with external resistors; a soft start is possible by connecting a capacitor between this pin and VREF
11	OUT1	Channel 1 output pin
12	VE1	Channel 1 output current setting pin; output current of the OUT1 pin is set by connecting a resistor between this pin and GND
13	GND	Ground pin (0 V)
14	V _{CC1, 2, 3}	Output drive power supply pin
15	OUT3	Channel 3 output pin
16	VE3	Channel 3 output current setting pin; output current of OUT3 is set by connecting a resistor between this pin and GND
17	OX3	Channel 3 output transistor off current setting pin; off current of the output transistor is set by connecting a capacitor between the OX3 and OY3 pins
18	OY3	
19	DTC3	Channel 3 rest period setting pin; the rest period of channel 3 is set by dividing the VREF pin voltage with external resistors; a soft start is possible by connecting a capacitor between this pin and VREF
20	FB3	Channel 3 error amplifier output pin; gain setting and phase compensation are controlled by connecting a resistor and capacitor between this pin and the IN3 ⁻ pin
21	IN3 ⁻	Channel 3 error amplifier inverted input pin
22	IN3 ⁺	Channel 3 error amplifier non-inverted input pin
23	CTL2	Channel 3 ON/OFF pin; channel 3 operates when the pin is HIGH level, and ceases operation at LOW level; this pin is valid when CTL1 is LOW level
24	CTL1	Standby mode selection pin; reference voltage and all channel operations stop at HIGH level, and all channels operate at LOW level
25	V _{CC}	Power supply pin
26	VREF	Reference voltage output pin; 2.48 V (typical)

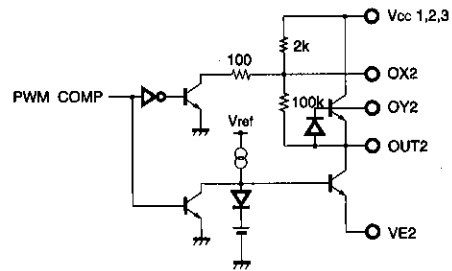
Pin No.	Pin name	Function
27	CT	Pin for connecting a frequency setting capacitor in the triangular wave oscillation circuit; triangular wave oscillation frequency is set by connecting a capacitor between this pin and GND
28	RT	Pin for connecting a frequency setting resistor in the short-circuit oscillation circuit; triangular wave oscillation frequency is set by connecting a resistor between this pin and GND
29	SCP	Pin for connecting a time-constant setting capacitor in the short-circuit protection circuit; time constant for the timer-latched, short-circuit protection circuit is set by connecting a capacitor between this pin and GND
30	IN1 ⁺	Channel 1 error amplifier non-inverted input pin
31	IN1 ⁻	Channel 1 error amplifier inverted input pin
32	FB1	Channel 1 error amplifier output pin; gain setting and phase compensation are controlled by connecting a resistor and capacitor between this pin and the IN1 ⁻ pin

●Equivalent circuit

[OUT1]



[OUT2]



●Electrical characteristics (Unless otherwise noted, Ta=25°C and Vcc=6.0V) *CT=330pF, RT=5.1kΩ

Parameter	Symbol	Min.	Typ.	Max.	Unit	Conditions
[Total device]						
Average current consumption	I _{CC}	—	4.5	7.0	mA	When output is OFF
Standby current consumption	I _{STB}	—	6	11	μA	
[Reference voltage section]						
Output voltage	V _{REF}	2.435	2.460	2.485	V	I _{REF} =-0.7mA
Line regulation	D _{VL1}	—	-4	-10	mV	V _{CC} =3.6→18V
Load regulation 1	D _{VLO1}	—	0.5	4	mV	I _{REF} =-0.1→-1mA
Load regulation 2	D _{VLO2}	—	5	10	mV	I _{REF} =-0.1→-10mA
[Triangular wave oscillation section]						
Oscillation frequency 1	f _{OSC1}	—	514	—	kHz	CT=330pF, RT=5.1kΩ
Frequency variation 1 (V _{CC})	D _{FVC1}	-1	—	1	%	CT=330pF, RT=551kΩ, V _{CC} =3.6→18V
Oscillation waveform upper limit voltage 1	V _{OSH1}	1.89	1.99	2.09	V	CT=330pF, RT=5.1kΩ
Oscillation waveform lower limit voltage 1	V _{OSL1}	1.34	1.46	1.56	V	CT=330pF, RT=5.1kΩ
Oscillation frequency 2	f _{OSC2}	—	790	—	kHz	CT=180pF, RT=5.1kΩ
Frequency variation 2 (V _{CC})	D _{FVC2}	-1	—	1	%	CT=180pF, RT=5.1kΩ, V _{CC} =3.6→18V
Oscillation waveform upper limit voltage 2	V _{OSH2}	1.91	2.01	2.11	V	CT=180pF, RT=5.1kΩ
Oscillation waveform lower limit voltage 2	V _{OSL2}	1.33	1.43	1.53	V	CT=180pF, RT=5.1kΩ
[Error amplifier section]						
Input offset voltage	V _{IO}	—	2	6	mV	
Input offset current	I _{IO}	—	2	30	nA	
Input bias current	I _{BIAS}	—	40	100	nA	
Maximum input voltage	V _{CM}	1.6	—	—	V	
Open loop gain	A _V	60	78	—	dB	
Common mode rejection ratio	CMRR	60	90	—	dB	
Maximum output voltage +	V _{OM+}	V _{REF} -0.3	2.41	—	V	
Maximum output voltage -	V _{OM-}	—	760	900	mV	
Output sink current	I _{OM+}	2.0	2.4	—	mA	V _{FB} =1.6V
Output source current	I _{OM-}	-60	-88	—	μA	V _{FB} =1.6V
[PWM comparator section]						
Input threshold voltage 1	V _{T0}	1.89	1.99	2.09	V	Duty ratio = 0% *
Input threshold voltage 2	V _{T100}	1.34	1.46	1.56	V	Duty ratio = 100% *
[Dead time control section]						
Input threshold voltage 1	V _{D0}	1.89	1.99	2.09	V	Duty ratio = 0% (channel 3) *
Input threshold voltage 2	V _{D100}	1.34	1.46	1.56	V	Duty ratio = 100% (channel 3) *
Input bias current	I _{DB}	—	0.40	0.84	μA	V _{DTC} =2.0V
Source current when Channel 3 is OFF	I _{DOF3}	-100	-420	—	μA	V _{DTC} =1.5V
Latch mode source current	I _{OLM}	-230	-580	—	μA	V _{DTC} =1.5V
[Protection circuit section]						
Input threshold voltage	V _{TI}	1.72	1.86	2.00	V	
Input standby voltage	V _{STB}	—	23	80	mV	
Input latch voltage	V _{LT}	—	21	80	mV	
Input source current	I _{SCP}	1.1	2.2	3.1	μA	
Comparator threshold voltage	V _{TC}	1.16	1.25	1.34	V	
[Output section]						
OUT1,2 sink current	I _{O12}	10	20	30	mA	RE1=RE2=33Ω V _{CC1,2} =6V
OUT3 source current	I _{O3}	-6	-12	-18	mA	RE3=2.7kΩ V _{CC3} =6V

●Electrical characteristics (Unless otherwise noted, Ta=25°C and Vcc=6.0V) *CT=330P, RT=5.1kΩ

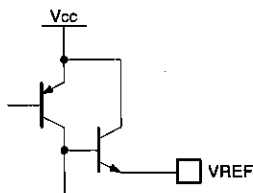
Parameter	Symbol	Min.	Typ.	Max.	Unit	Conditions
[Control section]						
CTL1 ON condition	V _{ON1}	3.2	—	—	V	
CTL1 OFF condition	V _{OFF1}	—	—	2.8	V	
CTL1 pin current	I _{CTL1}	30	70	110	μA	V _{CTL1} =5V
CTL2 ON condition	V _{ON2}	2	—	—	V	Operating mode
CTL2 OFF condition	V _{OFF2}	—	—	1	V	Operating mode
CTL2 pin current	I _{CTL2}	30	70	110	μA	Operating mode, V _{CTL2} =5V
[U.V.L.O circuit section]						
Threshold voltage (VREF)	V _{UTR}	1.85	2.0	2.15	V	
Threshold voltage (Vcc)	V _{UTC}	2.6	2.8	3.0	V	

●Guaranteed electrical characteristics (Unless otherwise noted, Ta=25°C and Vcc=6.0V)

Parameter	Symbol	Min.	Typ.	Max.	Unit	Conditions
OUT1, 2 source current	I _{o12}	—	-50	—	mA	C _o =1000pF
OUT 3 sink current	I _{o3}	—	50	—	mA	C _o =1000pF

●Circuit operation

1) Voltage regulator (reference power supply section)
Using the power supply voltage fed from V_{cc} (pin 25), the voltage regulator provides a reference voltage stabilized at 2.5V as the IC internal circuit operating voltage. This voltage is also output from VREF (pin 26). By setting CTL1 (pin 24) to HIGH, the VREF output can be turned OFF and the whole IC can be put in a standby state.

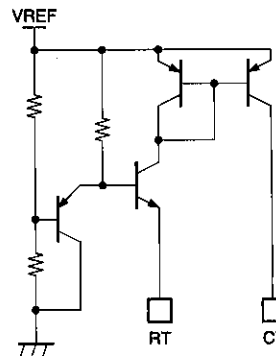


VREF pin I/O equivalent circuit

2) Triangular wave oscillator

This circuit emits triangular waves to the PWM comparator. A triangular wave is generated by charging and discharging the timing capacitor connected to CT (pin 27), at a set current value determined by the RT (pin 28) resistor.

Standard ranges for CT- and RT-values
RT : 5.1kΩ ~ 100kΩ
CT : 100pF ~ 0.22 μF



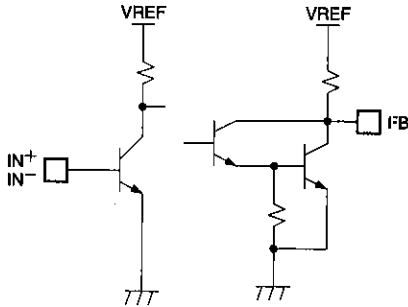
Triangle oscillator I/O equivalent circuit

3) Error amplifier

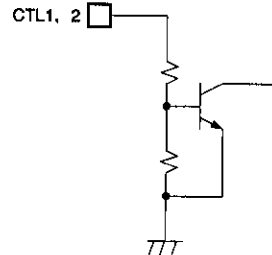
Output voltage is detected by returning the final output stage (load side) of the switching regulator to one input of the amplifier, and providing the reference voltage (VREF) divided by resistors to the other input. You can set the loop gain arbitrarily by connecting a feedback resistor between the FB and IN⁻ pins. We normally recommend using an AC error amplifier feed-

back system consisting of a capacitor and resistor. Note that the channel-3 error amplifier can be turned OFF separately by setting CLT2 (pin 23) to LOW ; the channel-3 error amplifier turns OFF as a result. Because DTC3 (pin 19) is reset to HIGH at the same time, the soft start mode is reactivated (see also the "PWM comparator" section).

Note: that CTL1 and CTL2 have opposite logic characteristics.



Error AMP I/O equivalent circuit



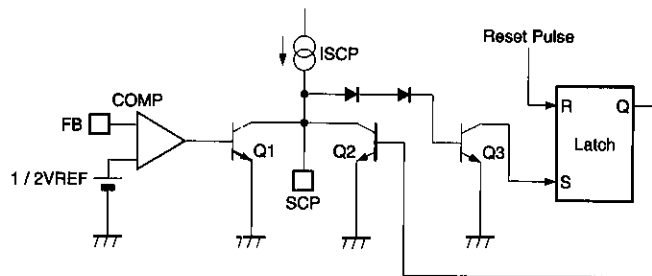
CTL1, 2 I/O equivalent circuit

4) Timer-latched, short-circuit protection circuit

This circuit prevents the occurrence of excess load in the final output stage of the switching regulator. Q1 turns OFF when FB is below 1/2VREF (1.25V), and the charging of the external capacitor connected to SCP (pin 29) starts with a constant current of I_{scp} = 2.2 μA. This state continues until the voltage increases to the level at which Q3 turns ON (V_{LT} = 1.8V) to set the latch. As a result, the output stage turns OFF and DTC3 (pin 19) switches to HIGH. Furthermore, the capacitor dis-

charges when Q2 turns ON. This protection state can be reset, once the CLT1 or V_{CC} pin is turned OFF. The timer can be set arbitrarily by changing the capacitance of the capacitor connected to the SCP pin, so that erroneous operations resulting from power rising or transitional load variation can be avoided.

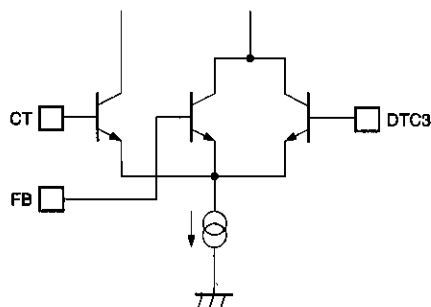
Time setting of timer latch
 $T = V_{LT}C / (S)$



Protector equivalent circuit

5) Pulse width modulation comparator

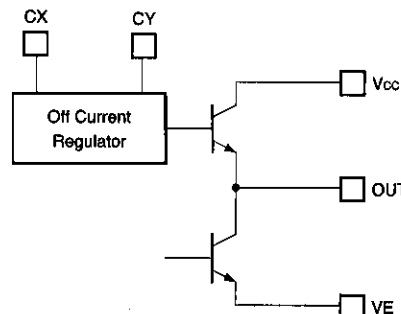
The FB, DTC1 (channel 1), and DTC3 (channel 3) pins are for inverted input, and the CT pin is for non-inverted input. The output transistor (OUT pin) turns on when the triangular wave voltage (CT pin) is higher than both the error voltage (FB pin) and the dead-time control voltage (DTC3 pin). Therefore, the rest period can be adjusted by setting the dead time control voltage between the lower and upper limits (V_{OSL} and V_{OSH}) of oscillation waveform voltage, by using the reference voltage (VREF) divided by resistors. Also, a soft start when turning on the power is possible by connecting a capacitor between the reference voltage pin and each of the DTC1 and DTC3 pins. In step-up and fly-back applications, the dead time control voltage is generally set to a value that results in a duty ratio of about 50%.



PWM comparator I/O equivalent circuit

6) Channels 1 and 2 output stages

Though the totem-pole output is employed, a step-down output application can be compactly configured. On current is set as a constant and Off current is set by a time constant, so that direct operation of PNP transistors is possible. Each output current is set by a resistor connected to the VE pin and a capacitor connected between the CX and CY pins. On current is nearly equal to $0.7/R$ (A) Off current is nearly proportional to C



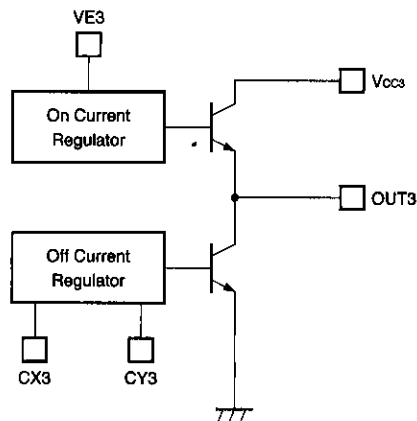
Output stage CH1, 2 equivalent circuit

7) Channel 3 output stage

Though the totem-pole output is employed, a fly-back / step-up output application can be compactly configured. On current is set as a constant and off current is set by a time constant, so that direct operation of NPN transistors is possible. Each output current is set by a resistor connected to VE3 (pin 16) and a capacitor connected between CX3 (pin 17) and CY3 (pin 18).

On current is nearly equal to $30/R$ (A)

Off current is nearly proportional to C



●Precautions for use

- 1) Make sure to use a voltage less than the maximum rating. An excessive voltage input can cause damage to the IC.
- 2) The error amplifier output (FB pin) of any unused channel is set to HIGH, by connecting the IN⁺ and IN⁻ input pins to VREF and GND, respectively.
- 3) Make sure that the sum of the consumed power at each output plus the power dissipated due to the bias current does not exceed the total power dissipation of the IC.
- 4) Caution is required regarding electromagnetic interference in the switching regulator, because the control transistor functions as a switch. Practically, there will be no problem if proper caution is taken in grounding, wiring, and shielding.

●Electrical characteristic curves

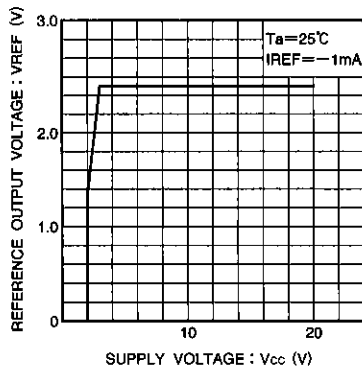


Fig.1 Reference voltage vs. power supply voltage

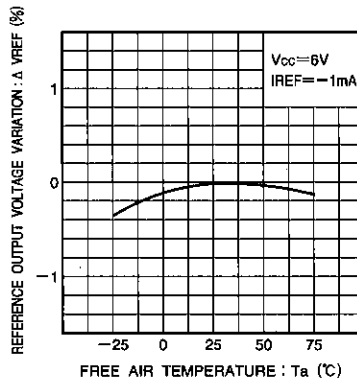


Fig.2 Reference voltage variation vs. ambient temperature

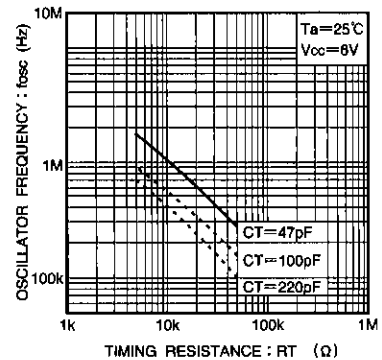


Fig.3 Triangle oscillation frequency vs. timing resistance

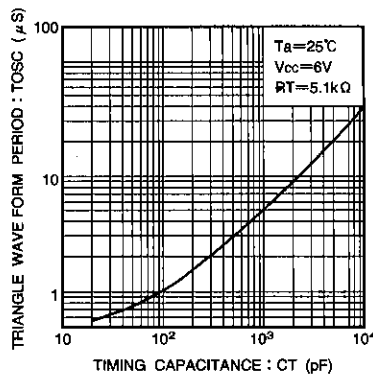


Fig.4 Triangle waveform period vs. timing capacitance

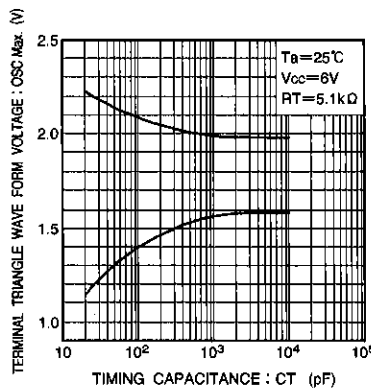


Fig.5 Triangle wave maximum amplified voltage vs. timing capacitance

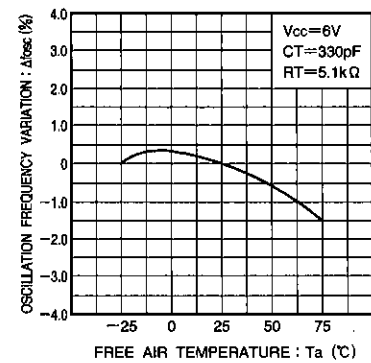


Fig.6 Triangle oscillation frequency variation vs. timing capacitance

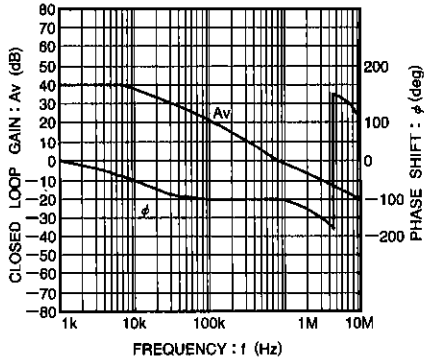
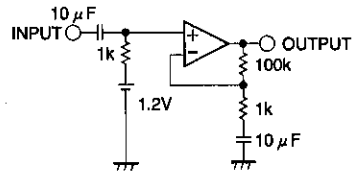
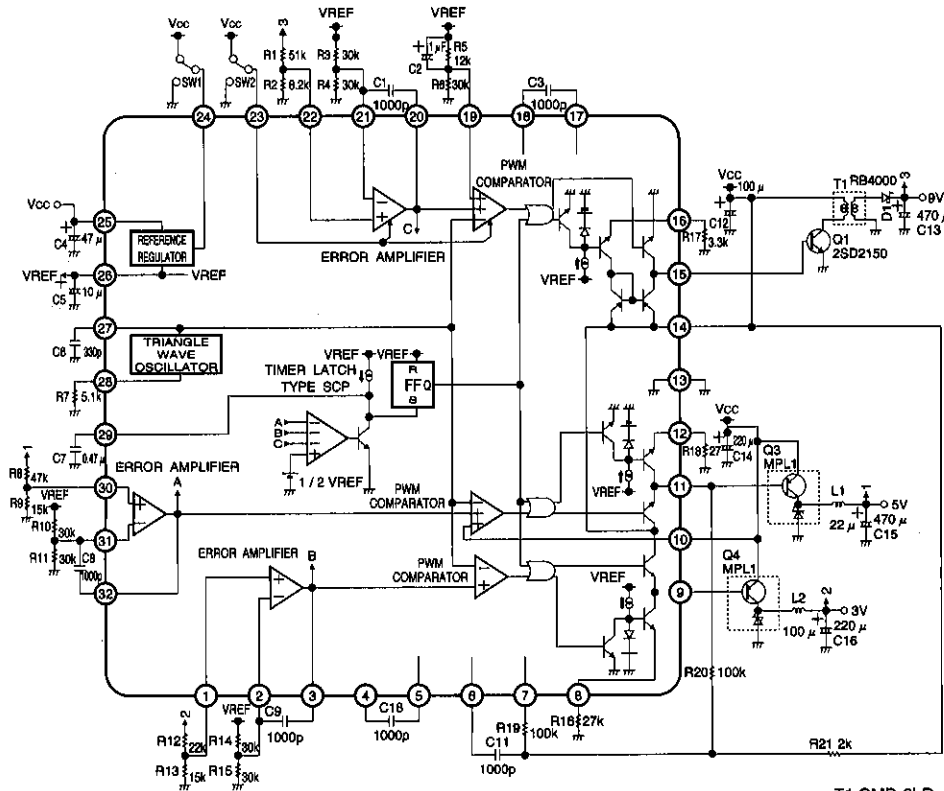


Fig.7 Error amplifier, gain, phase vs. frequency



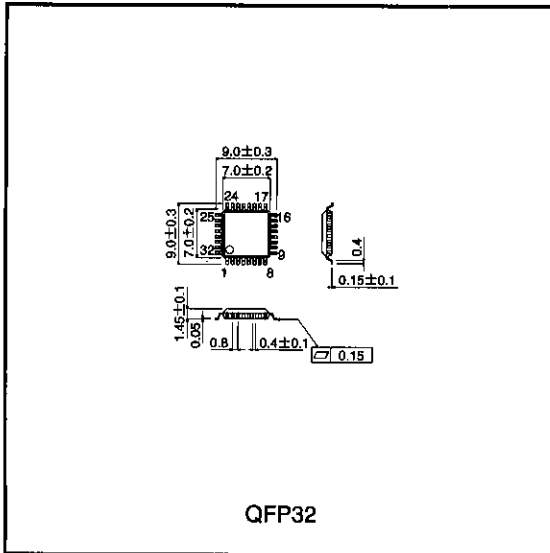
Measurement circuit

● Application example



- T1 CMD-6LR (Sumida Electronics)
- 6316-JPS-001
- L1, L2 CMD74 (Sumida Electronics)
- D1 RB400D (ROHM)
- Q1 2SD2150 (ROHM)
- Q2 UMW1 (ROHM)
- Q3, Q4 MPL1 (ROHM)

● External dimensions (Units: mm)



Notes

- The contents described in this catalogue are correct as of March 1997.
- No unauthorized transmission or reproduction of this book, either in whole or in part, is permitted.
- The contents of this book are subject to change without notice. Always verify before use that the contents are the latest specifications. If, by any chance, a defect should arise in the equipment as a result of use without verification of the specifications, ROHM CO., LTD., can bear no responsibility whatsoever.
- Application circuit diagrams and circuit constants contained in this data book are shown as examples of standard use and operation. When designing for mass production, please pay careful attention to peripheral conditions.
- Any and all data, including, but not limited to application circuit diagrams, information, and various data, described in this catalogue are intended only as illustrations of such devices and not as the specifications for such devices. ROHM CO., LTD., disclaims any warranty that any use of such device shall be free from infringement of any third party's intellectual property rights or other proprietary rights, and further, assumes absolutely no liability in the event of any such infringement, or arising from or connected with or related to the use of such devices.
- Upon the sale of any such devices; other than for the buyer's right to use such devices itself, resell or otherwise dispose of the same; no express or implied right or license to practice or commercially exploit any intellectual property rights or other proprietary rights owned or controlled by ROHM CO., LTD., is granted to any such buyer.
- The products in this manual are manufactured with silicon as the main material.
- The products in this manual are not of radiation resistant design.

The products listed in this catalogue are designed to be used with ordinary electronic equipment or devices (such as audio-visual equipment, office-automation equipment, communications devices, electrical appliances, and electronic toys). Should you intend to use these products with equipment or devices which require an extremely high level of reliability and the malfunction of which would directly endanger human life (such as medical instruments, transportation equipment, aerospace machinery, nuclear-reactor controllers, fuel controllers, or other safety devices) please be sure to consult with our sales representatives in advance.

- Notes when exporting
 - It is essential to obtain export permission when exporting any of the above products when it falls under the category of strategic material (or labor) as determined by foreign exchange or foreign trade control laws.
 - Please be sure to consult with our sales representatives to ascertain whether any product is classified as a strategic material.