

VCR auto tracking interface

BA7047S

The BA7047S is a microcomputer-interface IC for VCR auto-tracking. It includes two input amplifiers, a peak detector circuit, output amplifiers and a comparator timing circuit. The IC outputs the peak detection output for input video and audio FM signals.

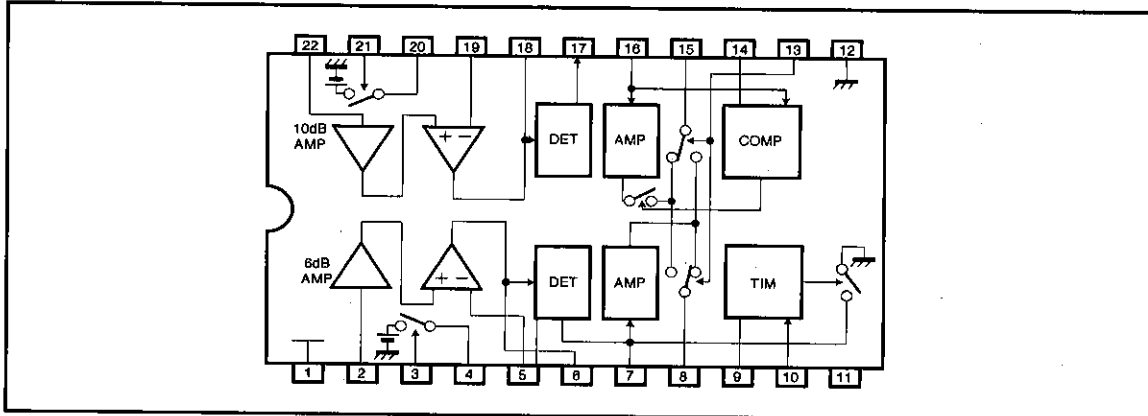
●Applications

VHS video cassette recorders

●Features

- 1) Inverting input pin and internal switch allow construction of different types of filters.
- 2) Built-in output switching allows both audio and video signals to be processed using one A/D port.
- 3) A built-in comparator detects presence or absence of Hi-Fi audio.
- 4) A timing circuit suppresses the effects of head switching noise.

●Block diagram



●Absolute maximum ratings (Ta=25°C)

Parameter	Symbol	Limits	Unit
Applied voltage	V _{cc}	8	V
Power dissipation	P _d	500 *	mW
Operating temperature	T _{opr}	-25~70	°C
Storage temperature	T _{stg}	-55~125	°C

* Reduced by 5.0mW for each increase in Ta of 1°C over 25°C.

● Recommended operating conditions (Ta=25°C)

Parameter	Symbol	Min.	Typ.	Max.	Unit
Operating voltage	V _{CC}	4.5	5.0	5.5	V

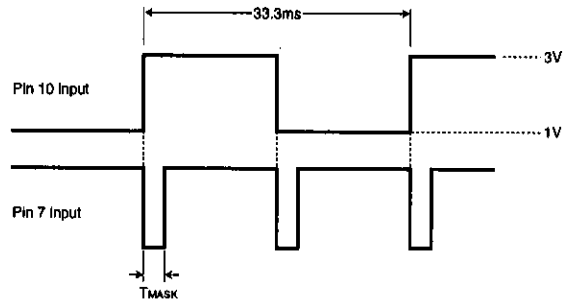


Fig. 1 Pin 7 and pin 10 input waveforms

Auto tracking interface

VCR components

●Electrical characteristics (Unless otherwise specified Ta=25°C and Vcc=5V)

Parameter	Symbol	Min.	Typ.	Max.	Unit	Conditions	Measurement Circuit
Circuit current	I _{CC}	9.0	14.0	19.0	mA		
6dB amplifier voltage gain	G ₆	3.5	6.0	8.0	dB	f=1MHz, V _{in} =0.5V _{P-P}	
6dB amplifier frequency characteristic	F ₆	-0.5	+1.0	+2.5	dB	7MHz / 1MHz, V _{in} =0.5V _{P-P}	
10dB amplifier voltage gain	G ₁₀	7.0	10.0	12.0	dB	f=1MHz, V _{in} =0.5V _{P-P}	
10dB amplifier frequency characteristic	F ₁₀	-2.0	+0.0	+2.0	dB	5MHz / 1MHz, V _{in} =0.5V _{P-P}	
Detector characteristic V1	V ₇	—	0.25	0.30	V	V _{in} =0.0V _{P-P}	
Detector characteristic V2	V _{7-I}	0.9	1.2	1.4	V	f=7.0MHz, V _{in} =1.0V _{P-P}	
Detector characteristic A1	V ₁₇	—	0.25	0.30	V	V _{in} =1.0V _{P-P}	
Detector characteristic A2	V _{17-I}	0.9	1.2	1.4	V	f=0.5MHz, V _{in} =1.0V _{P-P}	
Output amplifier characteristic V1	V _{80-LI}	1.50	1.75	2.00	V	V _{in} =1.0V	
Output amplifier characteristic V2	V _{80-HI}	4.7	4.9	5.0	V	V _{in} =3.0V	
Output amplifier characteristic A1	V _{150-LI}	1.50	1.75	2.00	V	V _{in} =1.0V	
Output amplifier characteristic A2	V _{150-HI}	4.7	4.9	5.0	V	V _{in} =3.0V	
Switch impedance V-OFF	Z _{4-OFF}	20k	100k	∞	Ω	f=1.0MHz, V _{in} =0.5V _{P-P}	
Switch impedance A-OFF	Z _{20-OFF}	20k	100k	∞	Ω	f=1.0MHz, V _{in} =0.5V _{P-P}	
Switch impedance V-ON	Z _{4-ON}	—	50	90	Ω	f=1.0MHz, V _{in} =0.5V _{P-P}	
Switch impedance A-ON	Z _{20-ON}	—	50	90	Ω	f=1.0MHz, V _{in} =0.5V _{P-P}	
Overall characteristic V	V _{80-O}	1.00	1.55	2.10	V	f=1.0MHz, V _{in} =0.5V _{P-P}	
Overall characteristic A	V _{150-O}	1.80	2.70	3.40	V	f=1.0MHz, V _{in} =0.5V _{P-P}	
Output switching V-F	V _{8-F}	0.50	0.75	1.00	V	V-V _{in} =0.5V, A-V _{in} =1.0V	
Output switching A-F	V _{15-F}	2.50	2.75	3.00	V	V-V _{in} =0.5V, A-V _{in} =1.5V	
Output switching V-R	V _{8-R}	2.50	2.75	3.00	V	V-V _{in} =0.5V, A-V _{in} =1.5V	
Output switching A-R	V _{15-R}	0.50	0.75	1.00	V	V-V _{in} =0.5V, A-V _{in} =1.5V	
Comparator level	V ₁₄	0.5	1.0	1.5	V	R=10kΩ, V _{in} =0.0V	
Hysteresis	H ₁₄	5	10	15	%	R=10kΩ, V _{in} =2.0V	
Mask time interval	T _{MASK}	60	120	180	μs	C=2200pF	
Switching voltage	V _{th}	1.0	2.0	3.0	V		

Fig.7

©Not designed for radiation resistance.

●Electrical characteristic curves

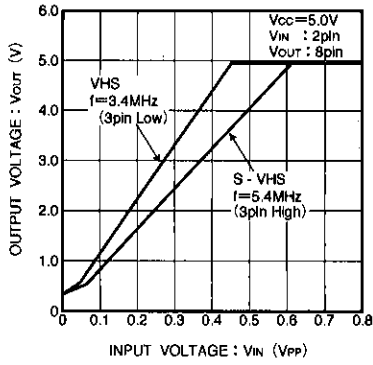


Fig. 2 Input voltage vs. output detector voltage characteristic

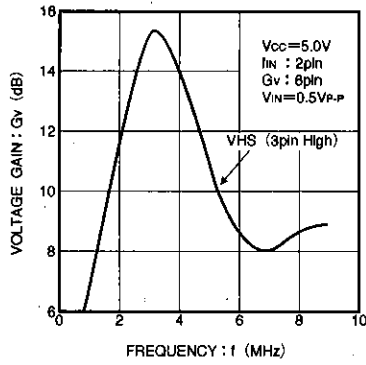


Fig. 3 Voltage gain vs. frequency characteristic (VHS)

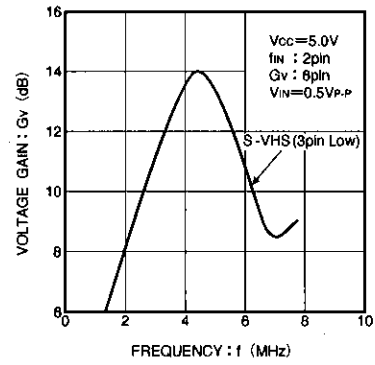


Fig. 4 Voltage gain vs. frequency characteristic (S-VHS)

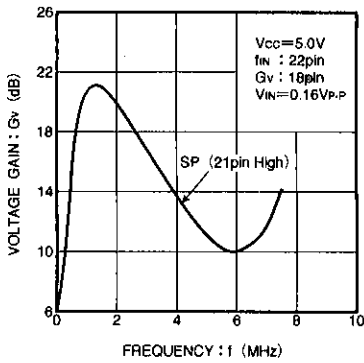


Fig. 5 Voltage gain vs. frequency characteristic (SP)

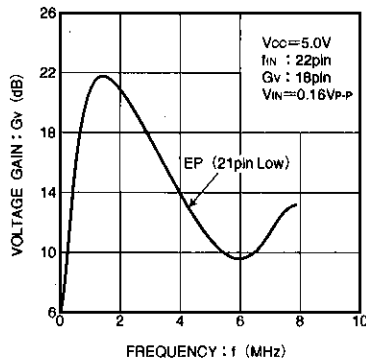


Fig. 6 Voltage gain vs. frequency characteristic (EP)

Auto tracking interface

VCR components

● Measurement circuit

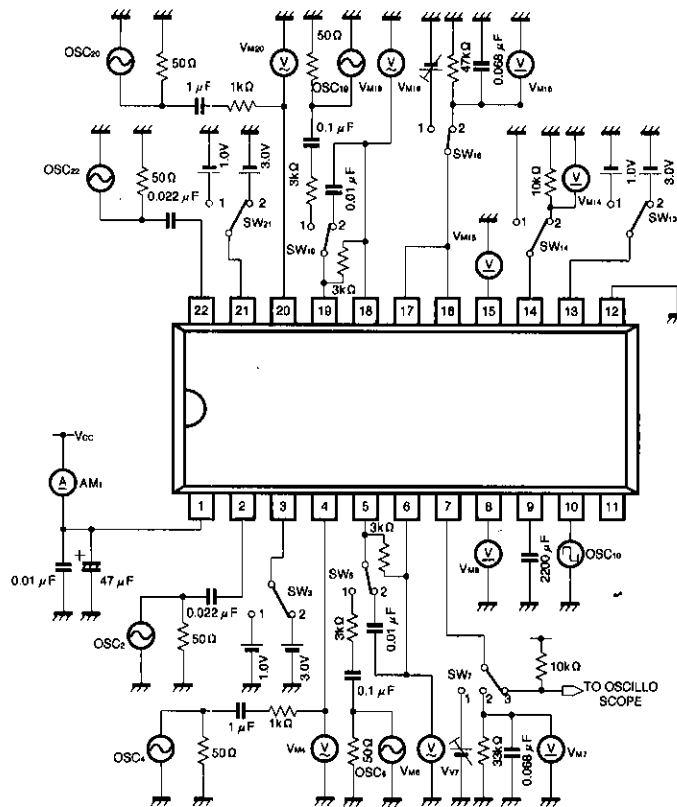


Fig.7

● Pin description

Pin No.	Name	Pin No.	Name
1	Vcc	12	GND
2	VIDEO FM IN	13	OUT CTL
3	VHS / S - VHS CTL	14	LEVEL CTL
4	V. SW	15	A. EMV OUT
5	V. IN-	16	A. EMV IN
6	V. OUT	17	A. DET
7	V. DET	18	A. OUT
8	V. EMV OUT	19	A. IN -
9	TIME ADJ	20	A. SW
10	D. FF IN	21	EP / SP CTL
11	NC	22	AUDIO FM IN

● Truth table

3,21 pin	4,20 pin
HIGH	OFF
LOW	ON

13 pin	Output selection
HIGH	Pin 16 input to pin 15 output/pin 7 input to pin 8 output
LOW	Pin 16 input to pin 8 output/pin 7 input to pin 15 output

● Application example

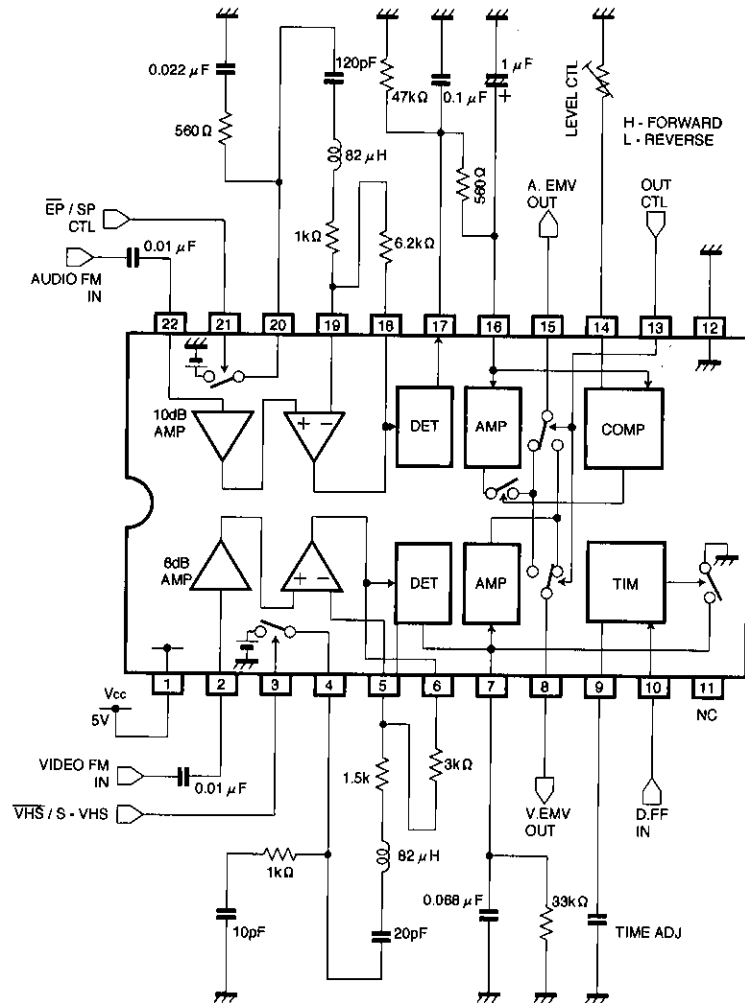
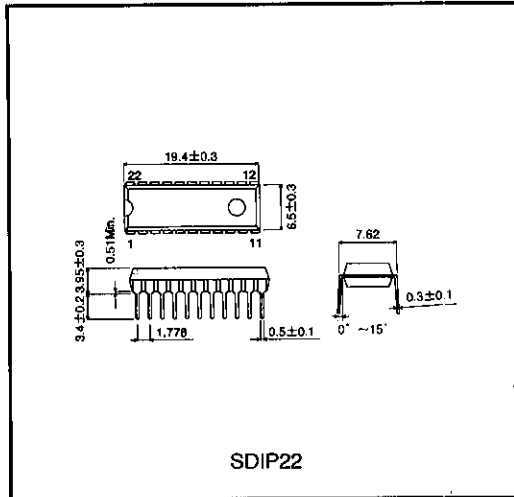


Fig.8

Auto tracking interface

VCR components

● External dimensions (Units: mm)



Notes

- The contents described in this catalogue are correct as of March 1997.
- No unauthorized transmission or reproduction of this book, either in whole or in part, is permitted.
- The contents of this book are subject to change without notice. Always verify before use that the contents are the latest specifications. If, by any chance, a defect should arise in the equipment as a result of use without verification of the specifications, ROHM CO., LTD., can bear no responsibility whatsoever.
- Application circuit diagrams and circuit constants contained in this data book are shown as examples of standard use and operation. When designing for mass production, please pay careful attention to peripheral conditions.
- Any and all data, including, but not limited to application circuit diagrams, information, and various data, described in this catalogue are intended only as illustrations of such devices and not as the specifications for such devices. ROHM CO., LTD., disclaims any warranty that any use of such device shall be free from infringement of any third party's intellectual property rights or other proprietary rights, and further, assumes absolutely no liability in the event of any such infringement, or arising from or connected with or related to the use of such devices.
- Upon the sale of any such devices; other than for the buyer's right to use such devices itself, resell or otherwise dispose of the same; no express or implied right or license to practice or commercially exploit any intellectual property rights or other proprietary rights owned or controlled by ROHM CO., LTD., is granted to any such buyer.
- The products in this manual are manufactured with silicon as the main material.
- The products in this manual are not of radiation resistant design.

The products listed in this catalogue are designed to be used with ordinary electronic equipment or devices (such as audio-visual equipment, office-automation equipment, communications devices, electrical appliances, and electronic toys). Should you intend to use these products with equipment or devices which require an extremely high level of reliability and the malfunction of which would directly endanger human life (such as medical instruments, transportation equipment, aerospace machinery, nuclear-reactor controllers, fuel controllers, or other safety devices) please be sure to consult with our sales representative in advance.

- Note when exporting
 - It is essential to obtain export permission when exporting any of the above products when it falls under the category of strategic material (or labor) as determined by foreign exchange or foreign trade control laws.
 - Please be sure to consult with our sales representatives to ascertain whether any product is classified as a strategic material.