

# SECAM discriminator IC

## BA7007

The BA7007 is a SECAM discriminator suitable for use in video cassette recorders. The BA7007 includes a pre-limiter circuit, detector, slicer-tuning amplifier and comparator. By adding a ceramic filter, and LC circuit for the  $f_H/2$  oscillation frequency, and a few resistors and capacitors it is possible to construct an extremely sensitive SECAM discriminator using a simple circuit with low space requirements that will lead to lower costs, and better performance and reliability.

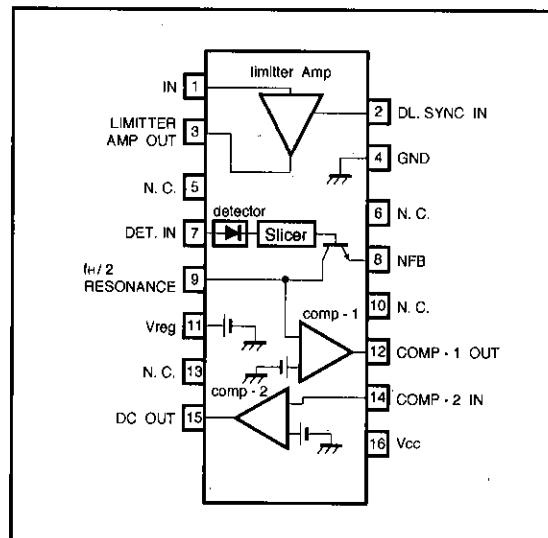
### ●Applications

SECAM discriminator for VCRs.

### ●Features

- 1)Extremely stable SECAM discrimination even with power supply and burst-signal input level fluctuations.
- 2)Digital conversion-type integration is used to ensure a large noise margin, and give high sensitivity.
- 3)Low variation in discriminator sensitivity means that adjustment is not necessary.
- 4)Few external components required.
- 5)Large current output capacity.

### ●Block diagram



● Absolute maximum ratings (Ta=25°C)

Parameter	Symbol	Limits	Unit
Power supply voltage	Vcc	15	V
Power dissipation	Pd	400 *	mW
Operating temperature	Topr	-25~75	°C
Storage temperature	Tstg	-55~125	°C

\* Reduced by 4mW for each increase in Ta of 1°C over 25°C.

● Electrical characteristics (Unless otherwise specified Ta=25°C and Vcc=9V)

Parameter	Symbol	Min.	Typ.	Max.	Unit	Conditions	Measurement Circuit
Quiescent current	I <sub>Q</sub>	—	10	15	mA	Limiter amplifier off, no output	Fig.1
Limiter amplifier gain	G <sub>V1-4</sub>	11	15	19	dB	V <sub>IN</sub> =0.1V <sub>P-P</sub> ; f=10kHz, R <sub>L</sub> =100kΩ	Fig.1
Limiter amplifier maximum gain	V <sub>O4</sub>	0.9	1.25	1.6	V <sub>P-P</sub>	V <sub>IN</sub> =0.1V <sub>P-P</sub> ; f=10kHz, R <sub>L</sub> =100kΩ	Fig.1
Extracted pulse threshold	V <sub>TH</sub>	—	0.6	—	V	Pin 2 voltage	Fig.1
Tuning amplifier output voltage	V <sub>O10</sub>	0.2	1.35	2.5	V <sub>P-P</sub>	V=0.2V <sub>P-P</sub> ; f=10kHz	Fig.1
Tuning amplifier supply voltage	V <sub>10</sub>	—	4.3	—	V	R <sub>L</sub> =10kΩ	Fig.1
DC output voltage	V <sub>15ON</sub>	6.5	8.2	—	V	R <sub>L</sub> =510Ω	Fig.1
DC output leakage voltage	V <sub>15OFF</sub>	—	0.0	0.5	V	R <sub>L</sub> =100kΩ	Fig.1

● Measurement circuit

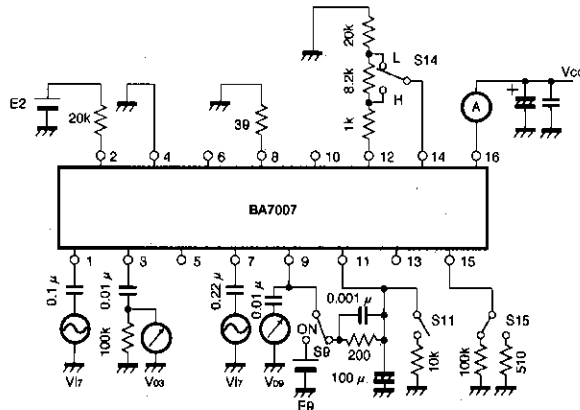


Fig.1

	E2	E9	S9	S11	S14	S15
I <sub>CC</sub>	0	0	OFF	OPEN	L	100k
G <sub>V2-3</sub> , V <sub>O3</sub>	2.5V	0	OFF	OPEN	L	100k
V <sub>O9</sub>	0	0	OFF	OPEN	L	100k
V <sub>11</sub>	0	0	OFF	CLOSE	L	100k
V <sub>15 ON</sub>	0	6.5V	ON	OPEN	H	510
V <sub>15 OFF</sub>	0	6.5V	ON	OPEN	L	100k

PAL/SECAM detector

VCR components

●Application example

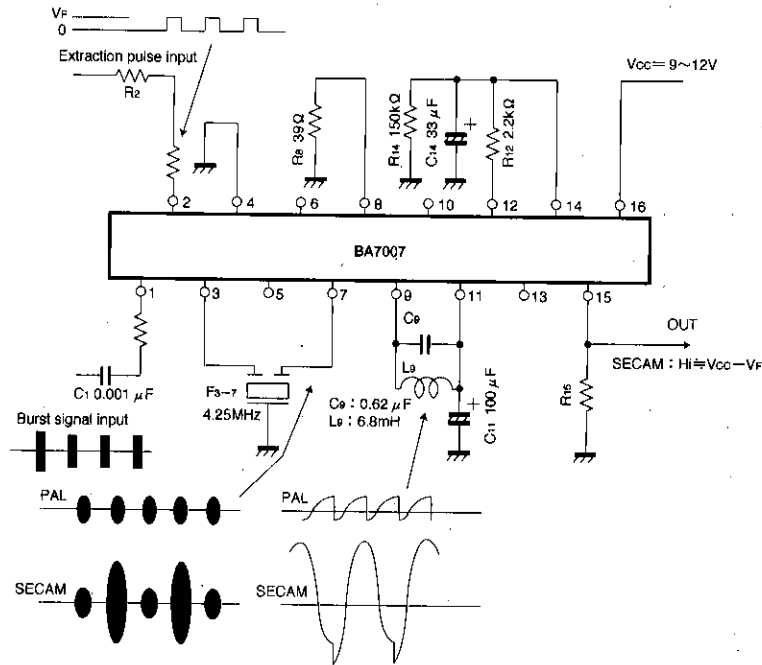
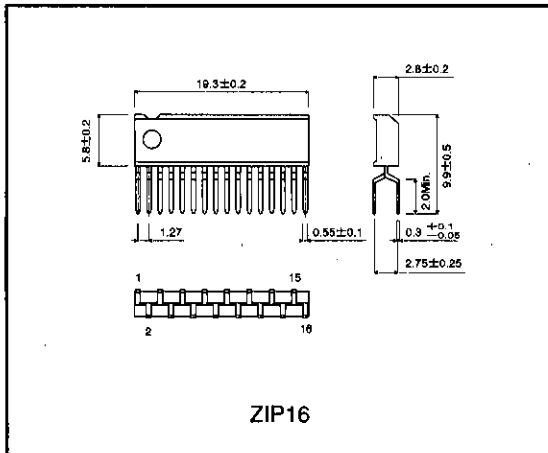


Fig 2

C1	Limiting amplifier input coupling capacitor
R2	Extraction pulse current limiting resistor
F3-7	4.25MHz band-pass filter (impedance: 1kΩ) (It is also possible to use a 4.4MHz filter, but there will be a slight drop in discrimination sensitivity). Input/output impedance: 1kΩ
R8	Resistor for adjusting the tuning amplifier output level
C9 L9	For $f_{H/2}$ resonator circuit
C11	Ripple filter (for LC resonator circuit)
C12	Components that determine the discrimination time (charge/discharge time constant)
C14	Charging time constant = $R_{12}$ and $C_{14}$
R14	Discharge time constant = $R_{14}$ and $C_{14}$
R15	Resistor for absorption of output leakage

●External dimensions (Units: mm)



PAL/SECAM detector

VCR components

## Notes

- The contents described in this catalogue are correct as of March 1997.
- No unauthorized transmission or reproduction of this book, either in whole or in part, is permitted.
- The contents of this book are subject to change without notice. Always verify before use that the contents are the latest specifications. If, by any chance, a defect should arise in the equipment as a result of use without verification of the specifications, ROHM CO., LTD., can bear no responsibility whatsoever.
- Application circuit diagrams and circuit constants contained in this data book are shown as examples of standard use and operation. When designing for mass production, please pay careful attention to peripheral conditions.
- Any and all data, including, but not limited to application circuit diagrams, information, and various data, described in this catalogue are intended only as illustrations of such devices and not as the specifications for such devices. ROHM CO., LTD., disclaims any warranty that any use of such device shall be free from infringement of any third party's intellectual property rights or other proprietary rights, and further, assumes absolutely no liability in the event of any such infringement, or arising from or connected with or related to the use of such devices.
- Upon the sale of any such devices; other than for the buyer's right to use such devices itself, resell or otherwise dispose of the same; no express or implied right or license to practice or commercially exploit any intellectual property rights or other proprietary rights owned or controlled by ROHM CO., LTD., is granted to any such buyer.
- The products in this manual are manufactured with silicon as the main material.
- The products in this manual are not of radiation resistant design.

The products listed in this catalogue are designed to be used with ordinary electronic equipment or devices (such as audio-visual equipment, office-automation equipment, communications devices, electrical appliances, and electronic toys). Should you intend to use these products with equipment or devices which require an extremely high level of reliability and the malfunction of which would directly endanger human life (such as medical instruments, transportation equipment, aerospace machinery, nuclear-reactor controllers, fuel controllers, or other safety devices) please be sure to consult with our sales representative in advance.

- Note when exporting
  - It is essential to obtain export permission when exporting any of the above products when it falls under the category of strategic material (or labor) as determined by foreign exchange or foreign trade control laws.
  - Please be sure to consult with our sales representatives to ascertain whether any product is classified as a strategic material.