

Fan motor driver IC

BA6811F/BA6812FS

The BA6811F and BA6812FS are 2-phase, half-wave motor drivers suited for 12V fan motors. Built-in lock detection and automatic restart mechanisms protect motors. Compact SOP8 (BA6811F) and SSOP-A16 (BA6812FS) packages reduce the number of external components required.

●Applications

2-phase fan motors

●Features

- | | |
|---|---|
| 1) Built-in power transistors. | 4) Alarm output pin. (BA6811F/BA6812FS) |
| 2) Lock detection and automatic restart mechanisms. | 5) Hall signal output pin. (BA6812FS) |
| 3) Built-in thermal shutdown circuit. | 6) Built-in reverse current protection diode. |

●Absolute maximum ratings (Ta=25°C)

Parameter	Symbol	Limits	Unit
Power supply voltage	V _{CC}	18	V
Power dissipation	P _d	800* ² (BA6812FS)	mW
		550* ³ (BA6811F)	
Operating temperature	T _{opr}	-25~85	°C
Storage temperature	T _{stg}	-55~150	°C
Output current	I _{OUT}	1.0* ⁴	A
Alarm output pin current *	I _{AL}	10	mA
Alarm output pin withstanding voltage *	V _{AL}	36	V
Hall signal output pin current * ¹	I _{HO}	10	mA
Hall signal output pin withstanding voltage * ¹	V _{HO}	36	V

*1 BA6812FS only

*2 Reduce power by 6.4 mW for each degree above 25°C. Mounted on a glass epoxy PCB (50.0 X 50.0 X 1.6 mm).

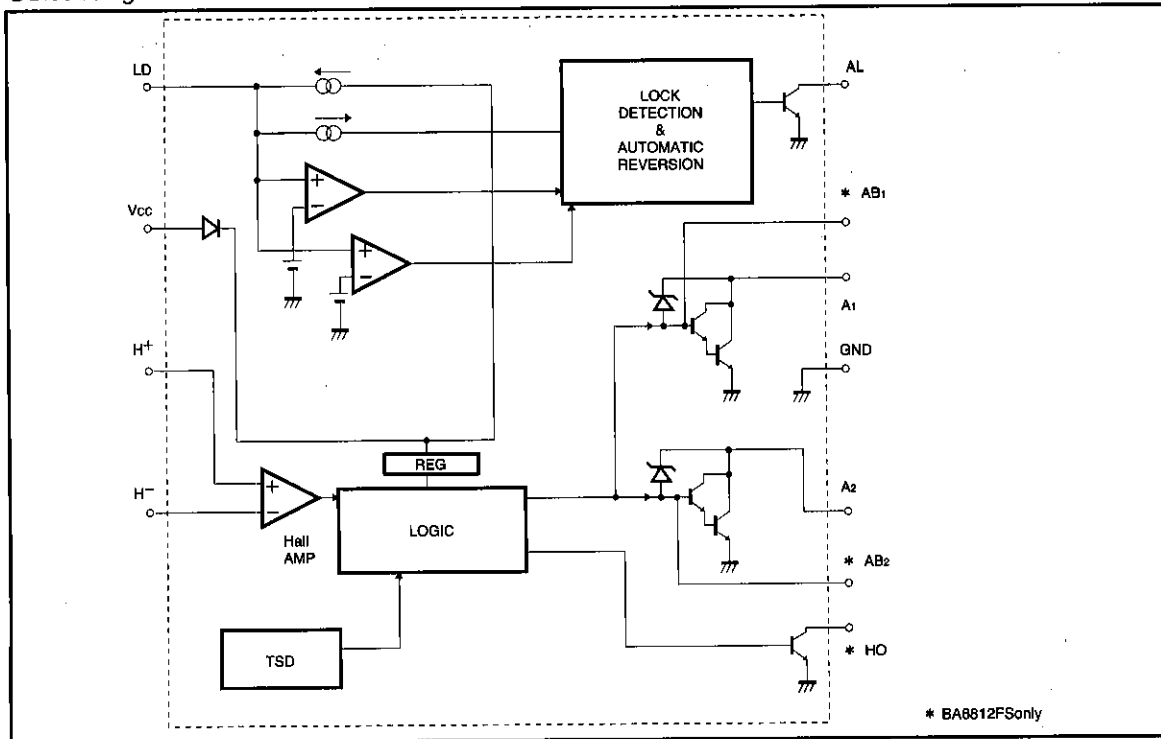
*3 Reduce power by 4.4 mW for each degree above 25°C. Mounted on a glass epoxy PCB (50.0 X 50.0 X 1.6 mm).

*4 Should not exceed P_d- or ASO-value.

●Recommended operating conditions (Ta=25°C)

Parameter	Symbol	Range	Unit
Operating power supply voltage	V _{CC}	4.0~15.0	V

●Block diagram



●Pin description

BA6811F

Pin No.	Pin name	Function
1	A ₂	Output pin 2
2	AL	Alarm output pin
3	LD	Capacitor connection pin for lock detection and automatic restart
4	V _{cc}	Power supply pin
5	H ⁺	Hall input pin (+)
6	H ⁻	Hall input pin (-)
7	A ₁	Output pin 1
8	GND	GROUND

BA6812FS

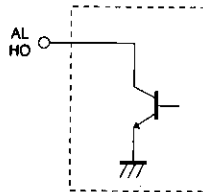
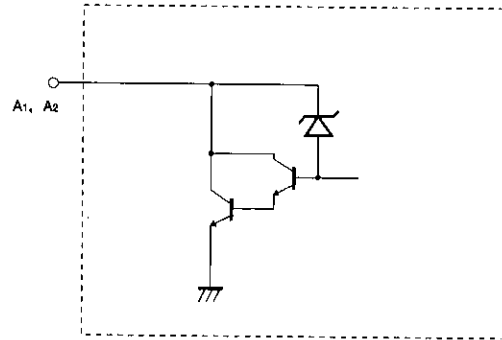
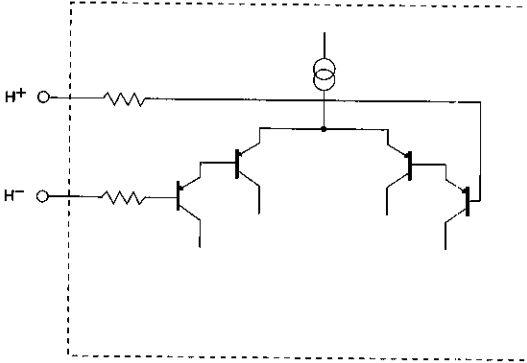
Pin No.	Pin name	Function
1	GND	GROUND
2	NC	
3	AB ₂	Output 2 transistor base pin
4	A ₂	Output pin 2
5	HO	Hall signal output pin
6	AL	Alarm output pin
7	LD	Capacitor connection pin for lock detection and automatic restart
8	NC	
9	V _{cc}	Power supply pin
10	H ⁺	Hall input pin (+)
11	H ⁻	Hall input pin (-)
12	NC	
13	A ₁	Output pin 1
14	AB ₁	Output 1 transistor base pin
15	NC	
16	NC	

●Hall input/output truth table

H ⁺	H ⁻	A ₁	A ₂	HO
H	L	HIGH (output transistor OFF)	LOW (output transistor ON)	LOW (output transistor ON)
L	H	LOW (output transistor ON)	HIGH (output transistor OFF)	HIGH (output transistor OFF)

Note: LD = 0 V

●Input/output equivalent circuits



●Electrical characteristics (Unless otherwise noted, Ta=25°C, Vcc=12V)

Parameter	Symbol	Min.	Typ.	Max.	Unit	Conditions
Circuit current	I _{CC}	1.8	4.5	9.0	mA	When output is OFF
Lock detection capacitor charge current	I _{LDC}	1.6	2.9	4.64	μA	V _{LD} =1.2V
Lock detection capacitor discharge current	I _{LDD}	0.26	0.52	0.87	μA	V _{LD} =1.2V
Lock detection capacitor charge/discharge ratio	r _{CD}	2.8	5.7	9.9	—	r _{CD} =I _{LDC} / I _{LDD}
Lock detection capacitor clamp voltage	V _{LDCL}	1.27	1.93	2.60	V	
Lock detection capacitor comparator voltage	V _{LDCP}	0.47	0.76	1.06	V	
LOW level output voltage	V _{OL}	—	0.8	1.3	V	I _o =200mA
Output leakage current	I _{OL}	—	—	100	μA	V _o =20V
Output zener voltage	V _{OZ}	28	30	32	V	Clamp current = 10 mA
Alarm output pin LOW level voltage	V _{ALL}	—	0.13	0.5	V	I _o =5mA
Alarm output pin leakage current	I _{ALL}	—	—	50	μA	V _{AL} =15V
Hall signal output pin LOW level voltage *	V _{HOL}	—	0.13	0.5	V	I _o =5mA
Hall signal output pin leakage current *	I _{HOL}	—	—	50	μA	V _{HO} =15V
Hall input pin offset voltage	V _{OFF}	—	—	10	mV	V _{COM} =6.0V

* BA6812FS only

© Not designed for radiation resistance

●Circuit operation

The BA6811F and BA6812FS have motor lock detection and automatic restart circuits. The timing of lock detection and automatic restart is determined by the external capacitor connected to the LD pin. The charge time of the external capacitor is given by :

$$T_{ON} \text{ (Charge time)} = \frac{C \cdot (V_{LDCL} - V_{LDCP})}{I_{LDC}}$$

$$T_{OFF} \text{ (Discharge time)} = \frac{C \cdot (V_{LDCL} - V_{LDCP})}{I_{LDD}}$$

(Typical value)

where

V_{LDCL} is the LD-pin clamp voltage (1.93V),V_{LDCP} is the LD-pin comparator voltage (0.76V),I_{LDC} is the LD-pin charge current (2.9 μA),I_{LDD} is the LD-pin discharge current (0.52 μA),

C is the capacitance of the LD-pin external capacitor.

For C=1 μF, for example, the charge (output ON) and discharge (output OFF) times are 0.40s and 2.25s, respectively.

The timing chart for an occasion of motor locking is shown in Fig. 1.

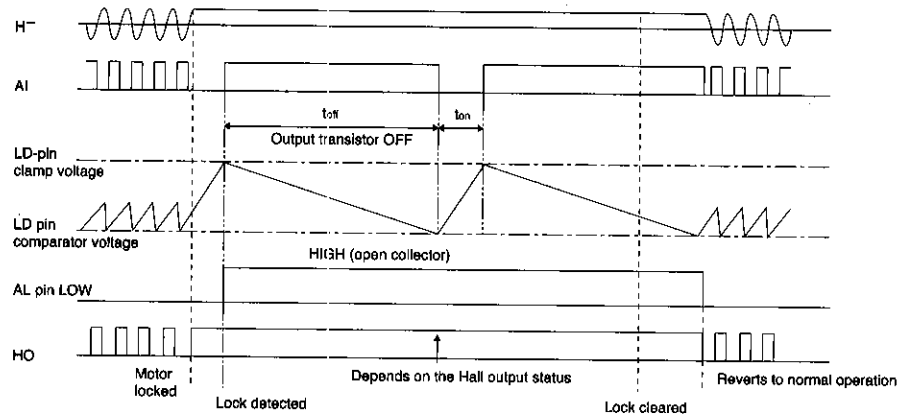


Fig.1 Timing chart for motor locking

●Application example

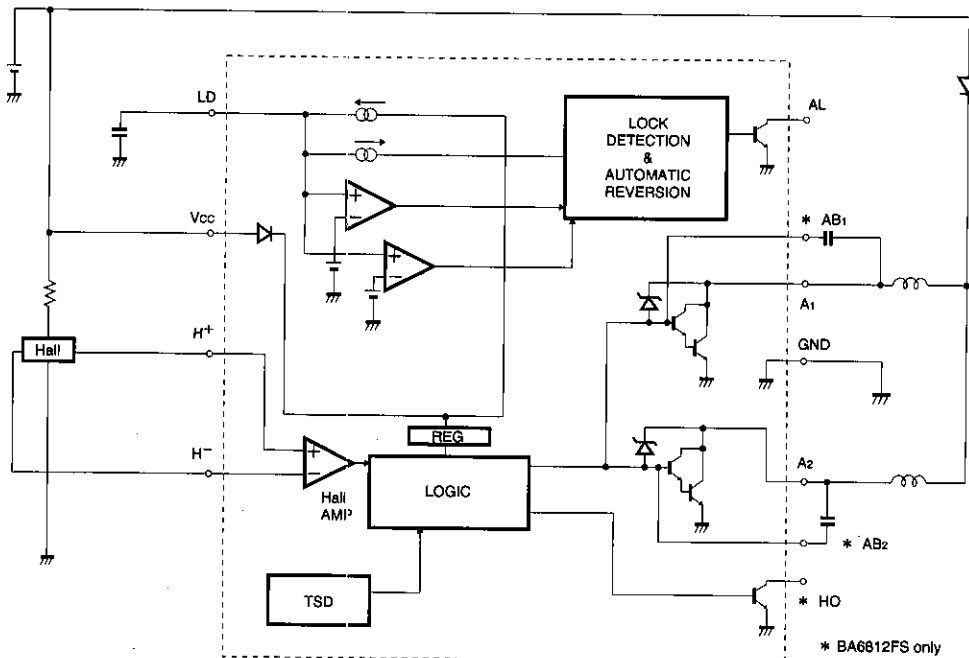


Fig.2

● Operation notes

1. Thermal shutdown circuit

The IC has a built-in thermal shutdown circuit. The is a temperature difference of 25°C (typical) between the temperatures at which the circuit is activated and deactivated.

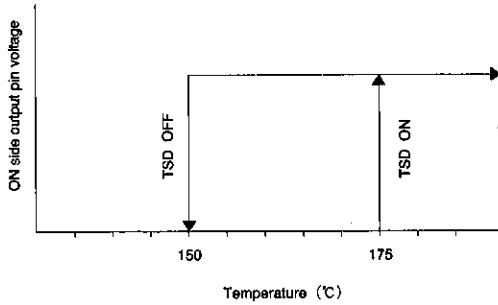


Fig.3 Temperature setting of the thermal shutdown circuit

The circuit is activated at the temperature of about 175°C (typical), so that all outputs are turned OFF. Normal operation resumes when the circuit is deactivated.

2. Power consumption

Power consumed in the IC can be calculated from the following equation :

$$P_c = P_{c1} + P_{c2} + P_{c3}$$

P_{c1} is power consumed by the circuit current.

$$P_{c1} = V_{cc} \times I_{cc}$$

P_{c2} is the output current consumption.

$$P_{c2} = V_{OL} \times I_o$$

V_{OL} is the LOW level output voltage of output pins 1 and 2, and I_o is the sink current of pins 1 and 2.

P_{c3} is power consumed by the AL and HO pins.

$$P_{c3} = V_{ALL} \times I_{AL} + V_{HOL} \times I_{HO} / 2$$

where

V_{ALL} is the AL-pin LOW level voltage,

I_{AL} is the AL-pin sink current,

V_{HOL} is the HO-pin LOW level voltage,

I_{HO} is the HO-pin sink current.

Make sure that your application does not exceed the allowable power dissipation of the IC.

3. Hall amplifier input voltage

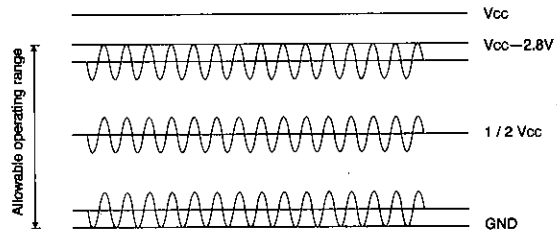


Fig.4 Hall amplifier input bias voltage

The R1 and R2 resistances must be set so as to maintain the Hall amplifier input bias voltage within the range of 0V to ($V_{cc} \sim 2.8V$) including the signal amplitude.

The Hall device may be affected by power supply noise due to the PCB conductor pattern. If you have this problem, insert a capacitor C1 as shown in Fig. 5. If the conductor lines from the Hall device output terminals to the Hall inputs of the IC are particularly long, noise can be picked up and fed into the inputs. If you have this problem, insert a capacitor C2 as shown in Fig. 5. Note that the Hall inputs have no hysteresis in this IC.

$$\text{Hall current is given by : } \frac{V_{cc}}{R1 + R2 + R_H}$$

where R_H is the Hall device impedance.

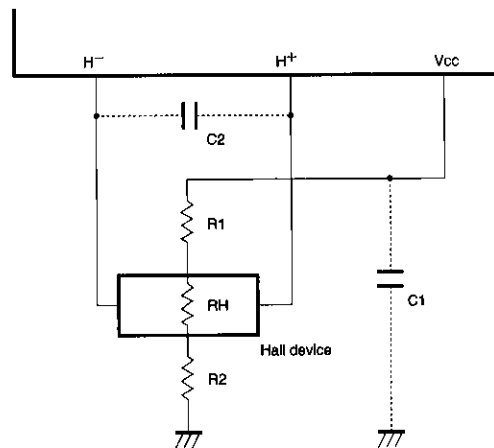
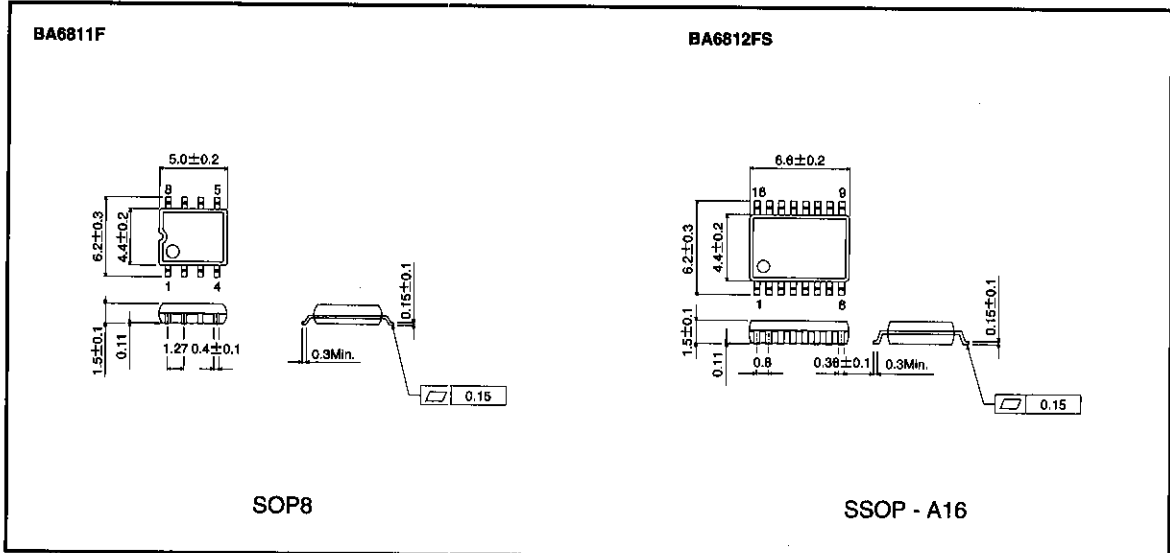


Fig.5

● External dimensions (Units: mm)



Notes

- The contents described in this catalogue are correct as of March 1997.
- No unauthorized transmission or reproduction of this book, either in whole or in part, is permitted.
- The contents of this book are subject to change without notice. Always verify before use that the contents are the latest specifications. If, by any chance, a defect should arise in the equipment as a result of use without verification of the specifications, ROHM CO., LTD., can bear no responsibility whatsoever.
- Application circuit diagrams and circuit constants contained in this data book are shown as examples of standard use and operation. When designing for mass production, please pay careful attention to peripheral conditions.
- Any and all data, including, but not limited to application circuit diagrams, information, and various data, described in this catalogue are intended only as illustrations of such devices and not as the specifications for such devices. ROHM CO., LTD., disclaims any warranty that any use of such device shall be free from infringement of any third party's intellectual property rights or other proprietary rights, and further, assumes absolutely no liability in the event of any such infringement, or arising from or connected with or related to the use of such devices.
- Upon the sale of any such devices; other than for the buyer's right to use such devices itself, resell or otherwise dispose of the same; no express or implied right or license to practice or commercially exploit any intellectual property rights or other proprietary rights owned or controlled by ROHM CO., LTD., is granted to any such buyer.
- The products in this manual are manufactured with silicon as the main material.
- The products in this manual are not of radiation resistant design.

The products listed in this catalogue are designed to be used with ordinary electronic equipment or devices (such as audio-visual equipment, office-automation equipment, communications devices, electrical appliances, and electronic toys). Should you intend to use these products with equipment or devices which require an extremely high level of reliability and the malfunction of which would directly endanger human life (such as medical instruments, transportation equipment, aerospace machinery, nuclear-reactor controllers, fuel controllers, or other safety devices) please be sure to consult with our sales representatives in advance.

● Notes when exporting

- It is essential to obtain export permission when exporting any of the above products when it falls under the category of strategic material (or labor) as determined by foreign exchange or foreign trade control laws.
- Please be sure to consult with our sales representatives to ascertain whether any product is classified as a strategic material.