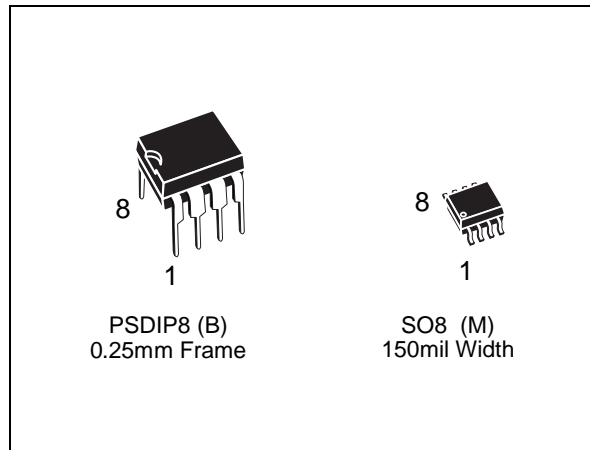


8K SERIAL SPI EEPROM with POSITIVE CLOCK STROBE

DATA BRIEFING

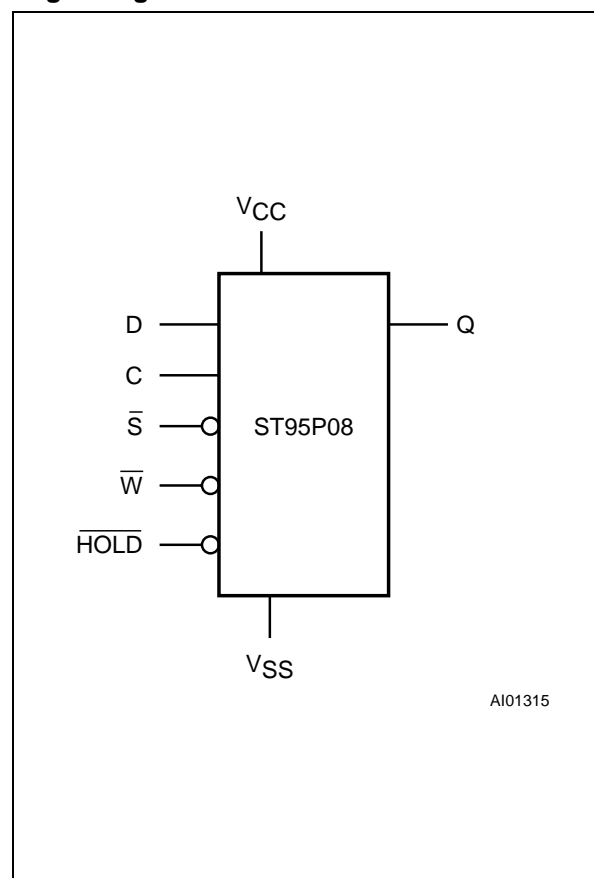
- 1 MILLION ERASE/WRITE CYCLES
- 40 YEARS DATA RETENTION
- SINGLE 3V to 5.5V SUPPLY VOLTAGE
- SPI BUS COMPATIBLE SERIAL INTERFACE
- 2 MHz CLOCK RATE MAX
- BLOCK WRITE PROTECTION
- STATUS REGISTER
- 16 BYTE PAGE MODE
- WRITE PROTECT
- SELF-TIMED PROGRAMMING CYCLE
- E.S.D.PROTECTION GREATER than 4000V
- SUPPORTS POSITIVE CLOCK SPI MODES



DESCRIPTION

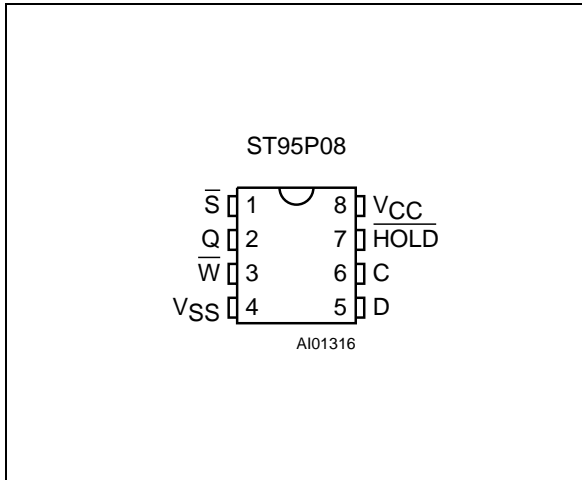
The ST95P08 is a 8K bit Electrically Erasable Programmable Memory (EEPROM) fabricated with SGS-THOMSON's High Endurance Single Polysilicon CMOS technology. The 8K bit memory is organised as 64 pages of 16 bytes. The memory is accessed by a simple SPI bus compatible serial interface. The bus signals are a serial clock input (C), a serial data input (D) and a serial data output (Q). The device connected to the bus is selected when the chip select input (\bar{S}) goes low. Communications with the chip can be interrupted with a hold input (HOLD). The write operation is disabled by a write protect input (\bar{W}).

Logic Diagram

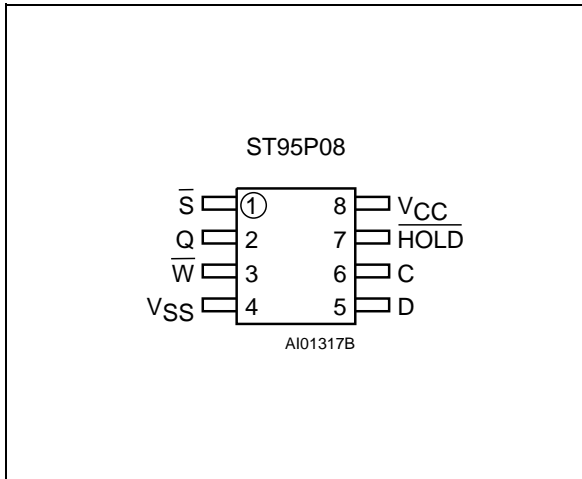


ST95P08

DIP Pin Connections



SO Pin Connections



Signal Names

C	Serial Clock
D	Serial Data Input
Q	Serial Data Output
\bar{S}	Chip Select
\bar{W}	Write Protect
\bar{HOLD}	Hold
VCC	Supply Voltage
VSS	Ground

Ordering Information Scheme

For a list of available options or for further information on any aspect of this device, please contact the SGS-THOMSON Sales Office nearest to you.

Example: ST95P08 M 6 TR

Data Strobe	
P ⁽¹⁾ D Q	
Package	
B PSDIP8 0.25mm Frame	
M SO8 150mil Width	
Temp. Range	
1 0 to 70 °C	
6 -40 to 85 °C	
3 ⁽²⁾ -40 to 125 °C	
Option	
TR Tape & Reel Packing	

Notes: 1. Data In strobed on rising edge of the clock (C) and Data Out synchronized from the falling edge of the clock.
2. Temperature range on special request only.

Devices are shipped from the factory with the memory content set at all "1's" (FFh).