
ST7544 - UNIVERSAL ANALOG FRONT-END

By Joël HULOUX

SUMMARY		Page
I.	ST7544	2
I.1.	FEATURES	2
I.2.	GENERAL DESCRIPTION	2
I.3.	SIGNAL TRANSFER BLOCK DIAGRAM	3
I.4.	IIR FILTER OPERATION	4
I.4.1.	Coefficient Rounding	4
I.4.2.	Detailed Operation	4
I.5.	IIR FILTER PROGRAMMING EXAMPLE	7
I.5.1.	Hardware Configuration	7
I.5.2.	Software Configuration	7
I.6.	FILTER COEFFICIENT CODING IN ST7544 TIME-SLOT FORMAT	12
I.6.1.	Filter Characteristics	12
I.6.2.	Filter Coefficients Table	12
I.6.3.	Coefficient Coding in Time-Slot Format	12
I.6.4.	Transfer Function	13
II.	ST7544 APPLICATION BOARD	14
II.1.	CRYSTAL OSCILLATOR	14
II.1.1.	Single Crystal Oscillator	14
II.1.2.	Double Crystal Oscillator	15
II.2.	APPLICATION 1	15
II.2.1.	Transmit	15
II.2.2.	Receive	15
II.3.	APPLICATION 2	15
II.3.1.	Transmit	15
II.3.2.	Receive	16
II.3.3.	Duplexer	17
II.4.	PERFORMANCE MEASUREMENT	17
II.4.1.	Configuration	17
II.4.2.	Measurement	17
III.	INTERFACING ST7544 WITH DSP56000 (MOTOROLA)	18
ANNEXE 1 : Schematics of Application Board		19
ANNEXE 2 : Layout of Application Board		22

I - ST7544

I.1 - FEATURES

- FULL ECHO CANCELLING CAPABILITY
- FULLY COMPATIBLE WITH THE ST7543 (7543 mode)
- 16-BIT OVERSAMPLING A/D AND D/A CONVERTERS
 - Programmable down-sampling frequency from 7200 to 16000Hz
 - Sampling frequency can be 3, 4, 6, 8, 12, 16 x Symbol rate
 - Programmable Over sampling frequency (128 or 160 x Sampling frequency)
 - The ST7544 can work with external oversampling clocks
 - Programmable Symbol rate (600, 1200, 1600, 2400, 2560, 2743, 2800, 2954, 3000, 3200, 3429 and 3491)
 - Bit rates of 300 bps, 600bps, 1200 and all multiples of 2400 bps up to 28800 bps can be generated
 - Dynamic range : 92dB with a sampling frequency 9600Hz, Oversampling ratio 160
 - Total harmonic distortion : -89dB
- ON CHIP REFERENCE VOLTAGE
- THREE PROGRAMMABLE DIGITAL FILTERS SECTIONS :
 - Tx interpolation filter
 - Rx decimation filter
Up to 14th order each
 - Rx reconstruction filter
Coefficients loaded into RAM
- ANCILLARY CONVERTERS FOR EYE-DIAGRAM MONITORING
- CLOCK SYSTEM BASED ON DIGITAL PHASE LOCKED LOOPS
 - Separate Tx DPLL and Rx DPLL
 - Terminal clock input for Tx synchronization on all multiples of 2400Hz (V.Fast synchronization mode) or on sub-multiple of baud rate (7543 synchronization mode)
 - Bit, Baud, Sampling and Highest synchronous clock outputs
 - Maximum master clock frequency is 38MHz
- SINGLE OR DUAL SYNCHRONOUS SERIAL INTERFACE TO DSP
- SINGLE POWER SUPPLY VOLTAGE : +5V

- LOW POWER CONSUMPTION :
 - 260mW operating power at the nominal crystal frequency of 36.864MHz
 - 160mW operating power at the crystal frequency of 18.432MHz
 - Less than 5mW in the LOW-POWER RESET MODE
- 1.2MM CMOS PROCESS
- 44-PIN PLCC OR 44-PIN TPQFP (1.4mm body thickness)

I.1 - GENERAL DESCRIPTION

The ST7544 is a single chip Analog Front-End (AFE) designed to implement high speed voice-grade Modems up to 28800 bps with echo canceling capability.

Associated with one or several Digital Signal Processors (DSP), such as the ST189XX family, it provides a powerful solution for the implementation of multi-mode Modems meeting CCITT (V.21, V.22, V.22 bis, V.23, V.26, V.27, V.29, V.32, V.32 bis and V.33) and BELL (103, 202, 212A...) recommendations. It is fully compatible with the ST7543 in 7543 mode and is also well suited emerging applications involving bit rates up to 28800 bps (in the VFast synchronization mode).

The transmit section includes a 16-bit over-sampling D/A converter with a programmable interpolating filter. The receive section includes a 16-bit oversampling A/D converter with two programmable filters (one for decimation and the other for reconstruction). Oversampling ratio is selectable to either 128 or 160. Two additional 8-bit D/A converters allow eyediagram monitoring on a scope for modem performance adjustment.

Two independant clock generator systems are provided, one synchronized on the Tx rate and the other on the Rx rate.

In External Clock Mode, external oversampling clocks can be provided to the chip.

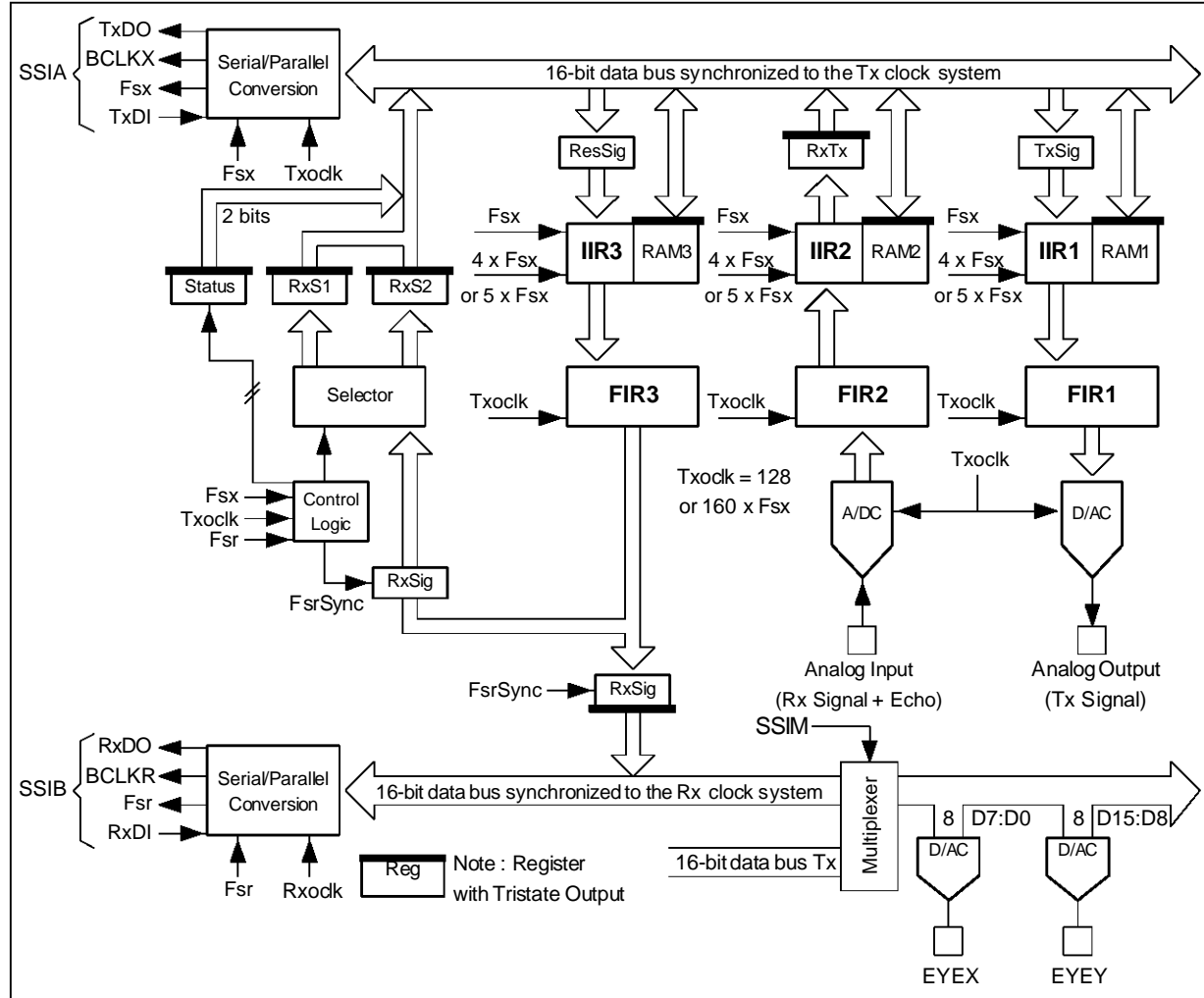
Two independant synchronous serial interfaces (SSI) allow several versatile ways of communicating with standard DSPs.

To save power, e.g. in lap-top modem applications, the lowpower reset mode can be used to reduce the power consumption to less than 5mW.

I.3 - SIGNAL TRANSFER BLOCK DIAGRAM

The ST7544 Block Diagram (Figure 1) illustrates three paths as follows : The Transmit D/A Section, the Receive A/D section and the Receive Reconstruction section.

Figure 1



ST7544 - UNIVERSAL ANALOG FRONT-END

I.4 - IIR FILTER OPERATION

Each IIR filtering section included in the ST7544 can perform up to seven biquadratic transfer functions in cascade, operating at four times the sampling frequency (see Figure 2).

Each biquad is defined by five coefficients, A, B, C, D and E (see Figure 3). An additional coefficient F, scales the IIR filter output.

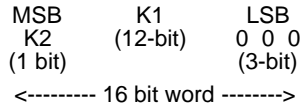
Unused biquads are made transparent by programming A to one and the four remaining coefficients to zero. Such biquads should preferably be located in the first sections of the IIR filter in order to reduce the calculation noise.

I.4.1 - Coefficient Rounding

Initially, coefficients of the filter to be implemented must be exclusively between +2 and -2. To derive the actual usable 12+1 bit coefficients, the rounding process described in Figure 4 must be performed. Each 13 bit coefficient K is split into its doubling factor K2, and its 12 bit basic value K1, as the IIR architecture works with 12 bit coefficients and uses an extra accumulation when coefficient doubling is needed.

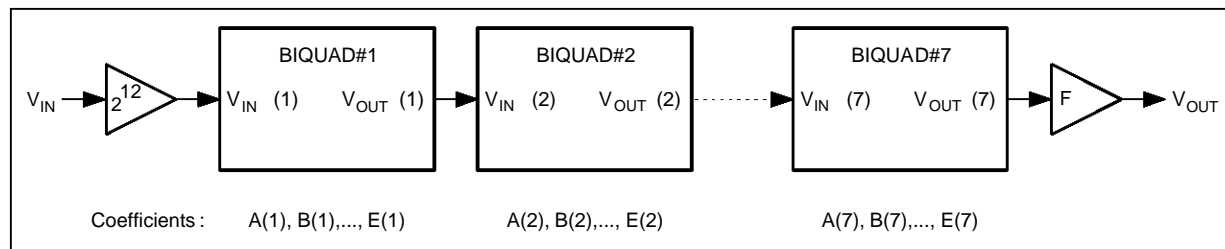
$$K2 \in [0,1] \text{ and } -2^{12} < K1 < +2^{12}$$

The coefficients are loaded into the different IIR filters through 16 bit wide time slots. The format to be used is as follows :



To programme one IIR filter it is necessary to send five words per biquad followed by two additional

Figure 2 : IIR Filter Diagram



words set to zero and the F coefficient word :

B(1), C(1), A(1), D(1), E(1), B(2),..., E(7), 0000H, 0000H, F

The total number of words sent is therefore 38.

I.4.2 - Detailed Operation

The architecture of the device supporting the IIR filter is based on 28 bit data path. The basic function is as follows: one coefficient K(N) is multiplied by one sample X(N) followed by one accumulation with value clamping. It can be precisely described as follows :

FUNCTION PAC K(N), X(N), S

LOCAL P

$$P = \text{TRUNC} (K1(N) \times X(N)/2^{12})$$

$$S = S + P$$

IF ABS(S) > 2²⁷ **THEN**

IF SIGN(S) > 0 **THEN** CLAMP S TO 2²⁷-1
ELSE CLAMP S TO 2²⁷

IF K2(N) = 1 **THEN** S = S + P

IF ABS(S) > 2²⁷ **THEN**

IF SIGN(S) > 0 **THEN** CLAMP S TO 2²⁷-1
ELSE CLAMP S TO 2²⁷

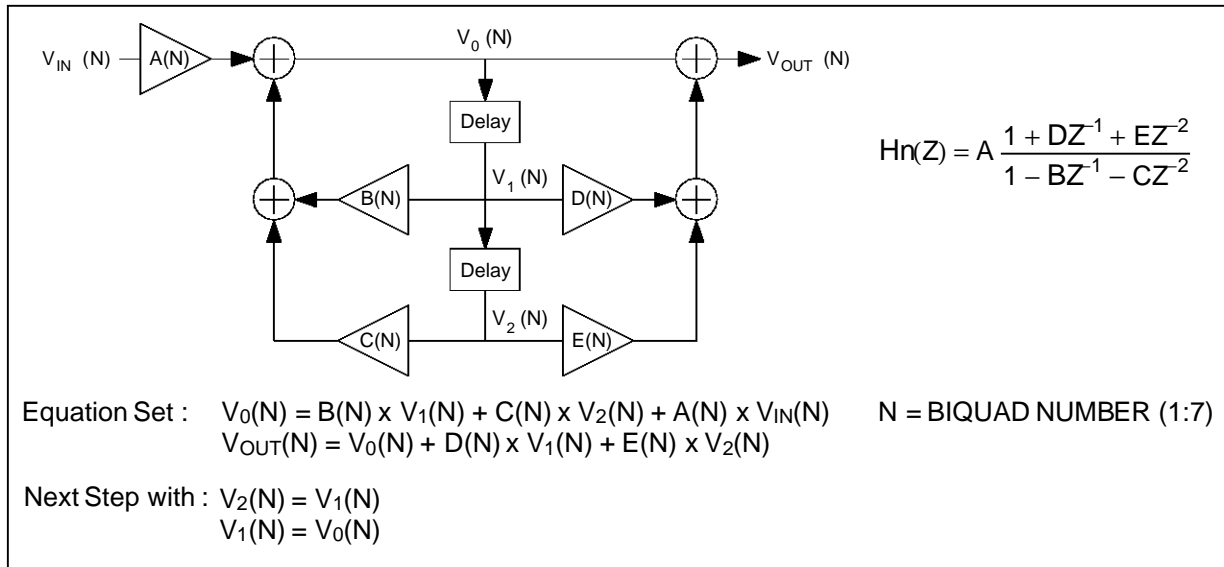
END OF FUNCTION

The TRUNC function is a two's complement truncature.

As previously mentioned, the second accumulation is controlled by the doubling factor K2(N).

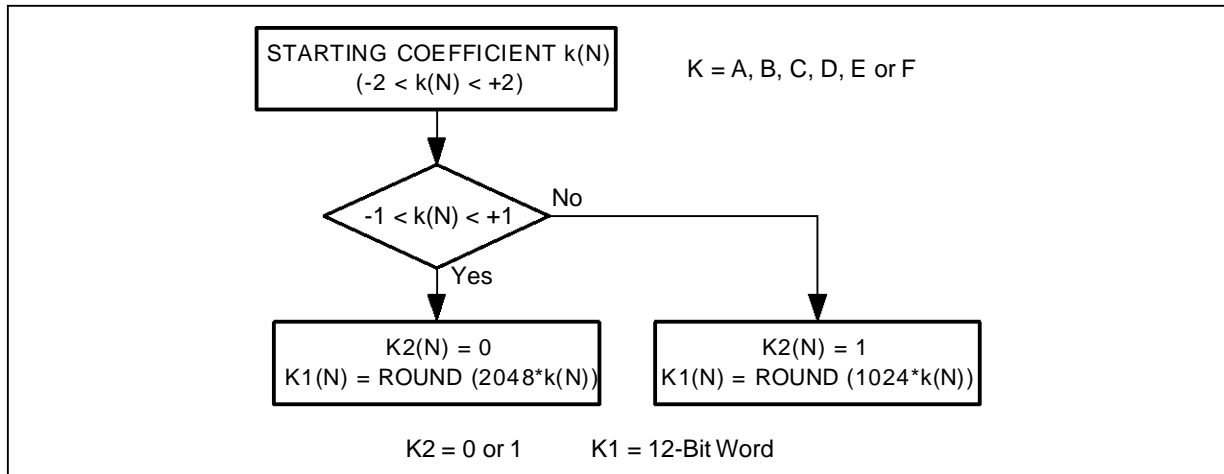
The complete process of computing 16 bit output samples (V_{OUT}) from 16 bit input samples (V_{IN}) appears in Figure 5.

Figure 3 : BIQUAD Structure



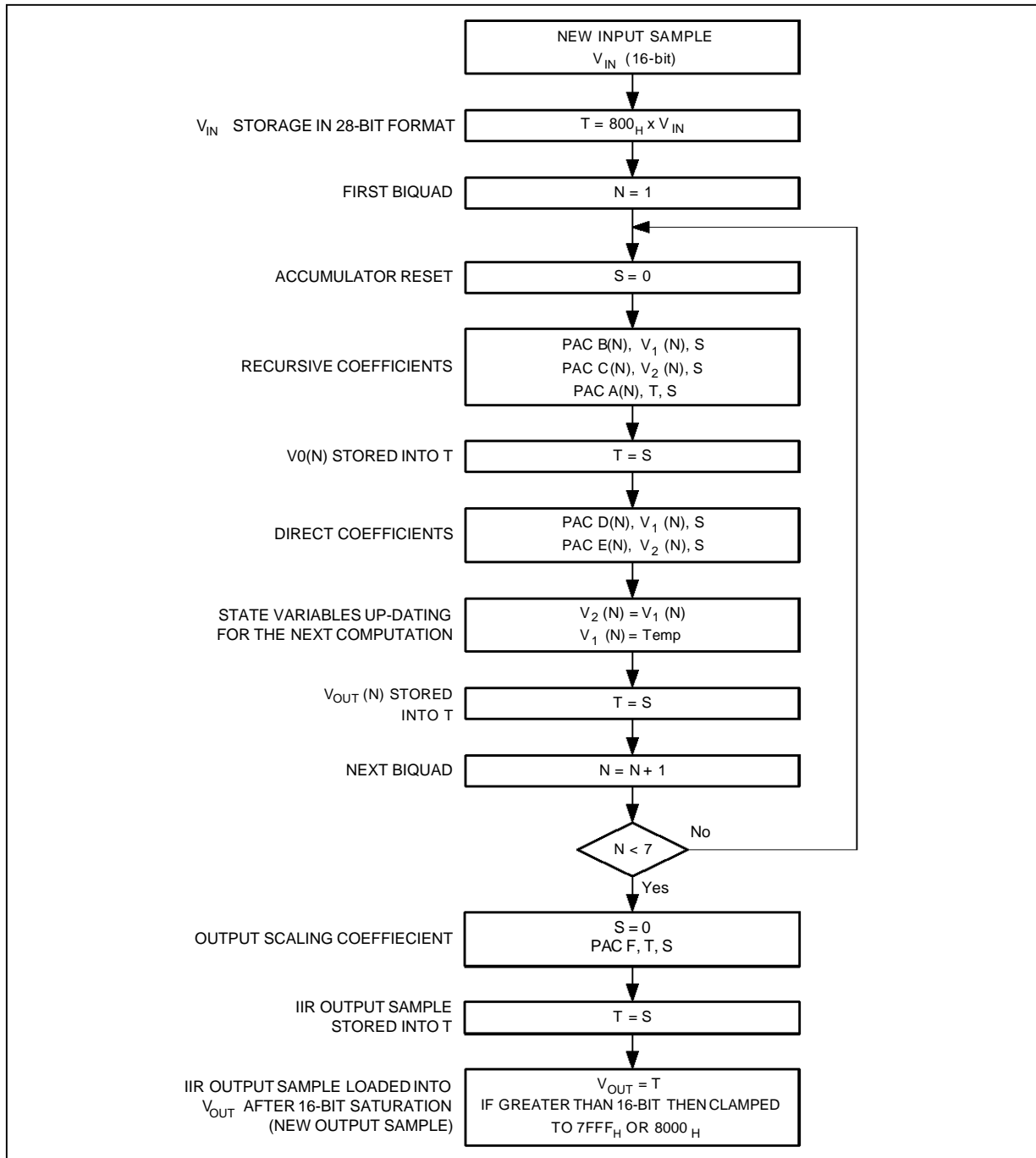
7544-23.EPS

Figure 4 : IIR Coefficients Rounding



7544-24.EPS

Figure 5 : IIR Operating Sequence



7544-25.EPS

I.5. - IIR FILTER PROGRAMMING EXAMPLE**I.5.1 - Example of Configuration**

- one external clock : 36.864MHz
- serial port mode : dual
- transmit sampling frequency : 9600Hz
- receive sampling frequency : 9600Hz
- bit frame clock frequency : $160 \cdot F_{sx(r)}$
- transmit bit clock frequency : 14400Hz
- receive bit clock frequency : 14400Hz
- transmit baud clock frequency: 2400Hz
- receive baud clock frequency : 2400Hz
- transmit filter : low-pass
(spec table 48)
- receive filter : band-pass
(spec table 50)
- interpolation filter : low-pass
(spec table 43)

I.5.2 Hardware Configuration

- XTAL10 and XTAL11 hard-wired to the external clock

- TxDI and RxDI must be tied to V_{DD} while the serial interface is not managed by the host processor.
- RC network on NLPR pin. Typically RC=10ms (R=100k Ω , C=100nF) (This time must include the external clock start-up time, and the ST7544 set up time).
- SSIM pin tied to DV_{DD} : dual serial port mode.
- BFRS pin tied to DV_{DD} : bit frame frequency set to 160 time F_{sx(r)}.

I.5.3 - Software Configuration

Writing convention :

'x'	frame number
FRAME x,1	frame for RAM 1 loading
FRAME x,2	frame for RAM 2 loading
FRAME x,3	frame for RAM 3 loading
'#'	delimits a programmer's remark (comments)
'b'	indicates a binary number
'h'	indicates an hexadecimal number
'XXXX'	user defined

ST7544 - UNIVERSAL ANALOG FRONT-END

SYNCHRONOUS SERIAL INTERFACE A

#FRAME 0.1. Select the correct sampling frequency and set Stb bit in order to select a RAM

```
B9A4h #TxI0    MS =1    coefficient loading mode selected
#              Stb=0    start bit coefficient loading activated
#              QS =1    XTAL 10 selected
#              RAi=11b   no RAM accessed
#              ADi=001b  TxCR1 selected
#              Di =A4h   Fsx=9600Hz, Txrclk=2400Hz
#              TxHSCLK=12.288MHz
#              Band split mode inactive
```

FFFFh#TxI1

FFFFh#TxI2

FFFFh#TxI3

#

#FRAME 1.1 Select RAM 1 and start the coefficient loading of the low-pass filter, and select TxCLK

```
E0F1h #TxI0    MS =1
#              stb=1
#              QS =1
#              RAi=00b   RAM 1 selected.
#              ADi=000b  TxCR0 selected.
#              Di =F1h   TxCLK = 14400Hz
```

FFFFh#TxI1 unused

0000h#TxI2 word 1 RAM 1 (first IIR coefficient)

0000h#TxI3 word 2 RAM 1

#

FRAME 2.1 RAM 1 coeff loading, fcomp and fshift prog and Stb ready to select another RAM

```
A340h #TxI0    MS =1
#              stb=0
#              QS =1
#              RAi=00b   RAM 1 selected.
#              ADi=011b  TxCR3 selected.
#              Di =40h   fcomp = 2400Hz, fshift=Fsx/2
```

A000h #TxI1 word 3 RAM 1

0000h #TxI2 word 4 RAM 1

0000h #TxI3 word 5 RAM 1

#

#

#FRAME 3.1 RAM 1 coefficient loading, no control register access

A7FFh #TxI0

B7D8h #TxI1 word 6 RAM 1

42B0h #TxI2 word 7 RAM 1

0118h #TxI3 word 8 RAM 1

#

#FRAME 4.1 to 12.1 RAM 1 coefficient loading, no control register access

A7FFh #TxI0

XXXXh

XXXXh

XXXXh

#FRAME 13.1 Last RAM 1 loading frame

A7FFh #TxI0
0000h #TxI1 word 36 RAM 1
0000h #TxI2 word 37 RAM 1
0008h #TxI3 word 38 RAM 1

#

#

#RAM 2 COEFFICIENT LOADING

#FRAME 1.2 Select RAM 2 and start the coefficient loading of BP filter

EFFFh #TxI0 MS =1
Stb=1
QS =1
RAi=01b RAM 2 selected
ADi=111b
FFFFh #TxI1 unused
0000h #TxI2 word 1 RAM 2
0000h #TxI3 word 2 RAM 2

#

#FRAME 2.2 RAM 2 coefficient loading,no control register access and rest Stb

AFFFh #TxI0 MS =1
Stb=0
QS =1
RAi=01b RAM 2 selected
ADi=111b
A000h #TxI1 word 3 RAM 2
0000h #TxI2 word 4 RAM 2
0000h #TxI3 word 5 RAM 2

#

#FRAME 13.2 Last RAM 2 loading frame

A7FFh #TxI0
0000h #TxI1 word 36 RAM 2
0000h #TxI2 word 37 RAM 2
0008h #TxI3 word 38 RAM 2

#

#

#

#RAM 3 COEFFICIENT LOADING

#FRAME 1.3 select RAM 3 and start coeff loading

F7FFh #TxI0 MS =1
Stb=1
QS =1
RAi=10b RAM 3 selected
ADi=111b
FFFFh #TxI1 unused
0000h #TxI2 word 1 RAM 3
0000h #TxI3 word 2 RAM 3

#

#

ST7544 - UNIVERSAL ANALOG FRONT-END

#FRAME 2.3 RAM 3 coefficient loading, no control register access and rest Stb

#

#

B7FFh #TxI0

A000h #TxI1 word 3 RAM 2

0000h #TxI2 word 4 RAM 2

0000h #TxI3 word 5 RAM 2

#

#

#FRAME 3.3 to 12.3 RAM 3 coefficient loading, no control register access

B7FFh #TxI0

XXXXh

XXXXh

XXXXh

#

#

#FRAME 13.3 Last RAM 3 loading frame

B2C4h #TxI0 MS =1

Stb=0

QS =1

RAi=10b RAM 3 selected

ADi=010b TxCR2 selected

Di =C4h 0dB attenuation on XMIT channel and synchronize the TxCLK clock on TxRCLK

0000h #TxI1 word 36 RAM 2

0000h #TxI2 word 37 RAM 2

0008h #TxI3 word 38 RAM 2

#

#

FRAME 14

3FFFh #TxI0 MS =0 Data mode

Stb=0 ready to read ram

QS =1

RAi=11b No RAM access

ADi=111b No Control register access

XXXXh #TxI1 Txsig

XXXXh #TxI2 Ressim

XXXXh #TxI3 unused

#

#

SYNCHRONOUS SERIAL INTERFACE B

```
#
#FRAME 0. Select the correct sampling frequency
01A4h #TrI0    ADi=001b  RxCR1 selected
#              Di =A4h   Fsr=9600Hz, Rxrclk=2400Hz
#              RxHSCLK=12.288MHz
FFFFh #TrI1
FFFFh #TrI2
FFFFh #TrI3
#
#FRAME 1. Select the correct receive bit clock (RxCLK) frequency
00F1h #TrI0    ADi=000b  RxCR0 selected
#              Di =F1h   RxCLK=14400Hz
FFFFh #TrI1
FFFFh #TrI2
FFFFh #TrI3
#
#FRAME 2. No phase shift selected
0200h #TrI0    ADi=010b  RxCR2 selected
#
#              Di =00h   no phase shift
FFFFh #TrI1
FFFFh #TrI2
FFFFh #TrI3
#
#
#FRAME 3. select interpolation factor
0340h #TrI0    ADi=011b  RxCR3 selected
#              Di =40h   interpolation factor = 160
FFFFh #TrI1
FFFFh #TrI2
FFFFh #TrI3
#
#
#FRAME 4
FFFFh #TrI0    ADi=111b  no control register access
XXXXh #TrI1    EYEX-EYEX
FFFFh #TrI2    reserved
FFFFh #TrI3    reserved
#
#
```

ST7544 - UNIVERSAL ANALOG FRONT-END

I.6 - FILTER COEFFICIENT CODING IN ST7544 TIME-SLOT FORMAT

I.6.1 FILTER CHARACTERISTICS

Type : band-pass filter
 Order : 11
 Sampling frequency : 9.6kHz*5 = 48kHz
 passband edge HP : 300Hz
 (3dB , butterworth)
 stopband edge HP : 200Hz
 stopband loss HP : 8dB
 passband edge LP : 3200Hz (Cauer)
 stopband edge LP : 4200Hz
 stopband loss LP : 60dB
 passband ripple : 0.1dB
 coefficient wordlength : 11 bits + sign

I.6.2 - Filter Coefficients Table

B	C	A	D	E
0	0	0.9	- 1	0
0.9614815	0	0.8414686	- 1	0
1.706978	- 0.7952128	0.1985583	- 1	0
1.959984	- 0.961496	0.1774637	- 1.33996	1
1.675779	- 0.7113152	0.0346	0.35224561	1
1.747247	- 0.8925031	0.1021413	- 1.698336	1
1.789548	- 0.967721	0.4543867	- 1.627507	1
0	0	0.0025201	0	0

I.6.3 - Coefficient Coding in ST7544 Time-slot Format

Example of subroutine to code the coefficients in the ST7544 time-slot format.

```

SUB CODE(A(),NbBiquad,AA())
LOCAL i,EXTRABIT()
FOR i=1 TO NbBiquad
    IF ABS(A(i))=1 THEN
        EXTRABIT(i)=-32768
        AA(i)=CINT((A(i)/2)*2048)
    
```

```

ELSE
    EXTRABIT(i)=0
    AA(i)=CINT(A(i)*2048)
END IF
AA(i)=(AA(i)<3)AND 32767
AA(i)=(AA(i) OR EXTRABIT(i))
NEXT
END SUB
    
```

with :

INPUT :

NbBiquad number of biquadratic function.

A() Coefficient in decimal format

OUTPUT:

AA() Coefficient in ST7544 time-slot format.

writing convention:

ABS() return an absolute value

CINT() convert its argument to an integer.

(if the fractional part of an argument is equal to 0.5, it is rounded toward the even number).

≤ n left shift of n bit.

Note : It is not possible to code -1 or 1 , we therefore do as following

$$+1 = 2 * +0.5$$

$$-1 = 2 * -0.5$$

So IT IS NOT POSSIBLE TO CODE +/- 2

Filter table in Hexadecimal format.

B	C	A	D	E
000	0000	3C88h	E000h	0000
3D88h	0000	37E0h	E000h	0000
B6A0h	4D18h	CE0h	E000h	0000
BEB8h	4278h	B58h	C9A8h	A000h
B940h	4210h	E68h	CBE8h	A000h
B7E8h	46E0h	F98h	D520h	A000h
B5A0h	5278h	238h	1690h	A000h
0000	0000	20H	0000	0000

I.6.4 - Transfer Function

Figure 6

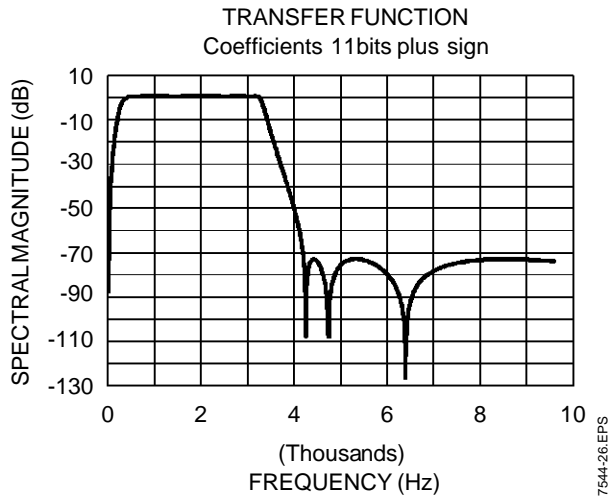


Figure 7

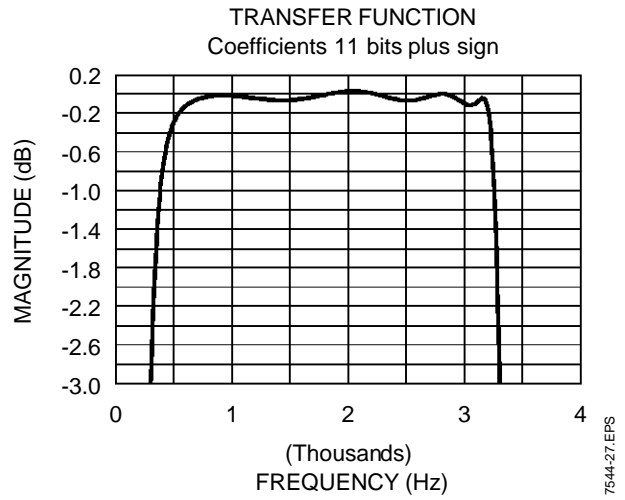
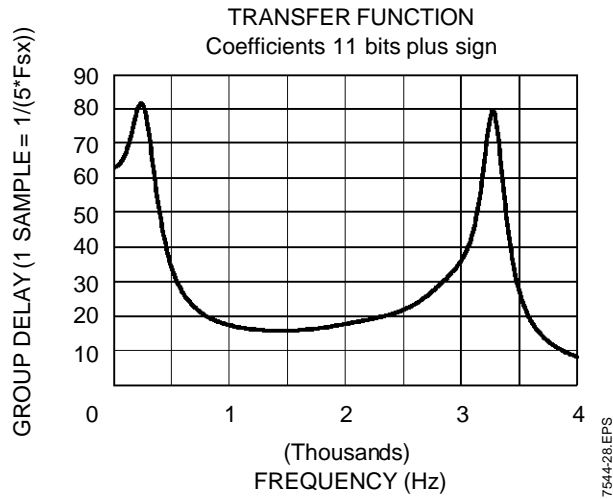


Figure 8



ST7544 - UNIVERSAL ANALOG FRONT-END

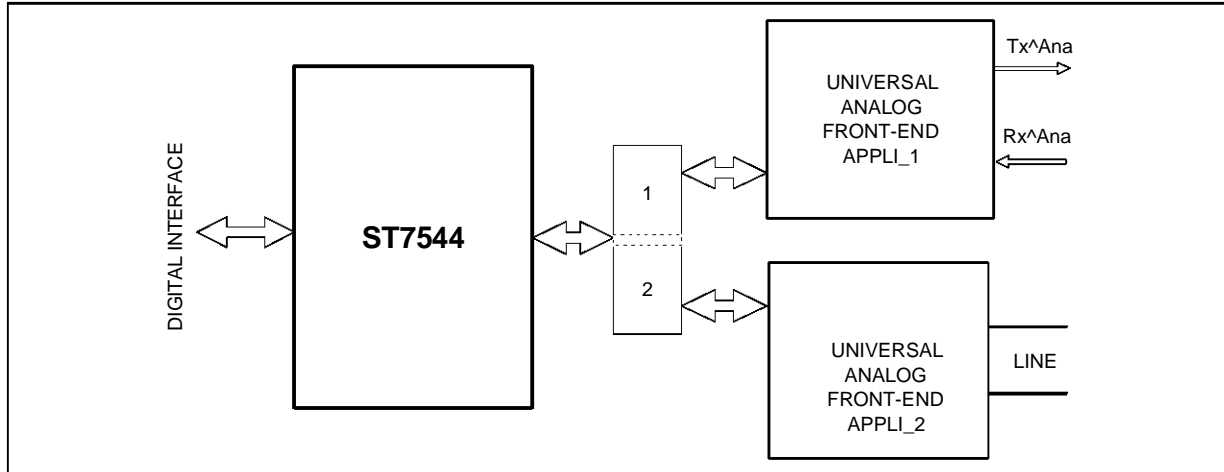
II - ST7544 APPLICATION BOARD

The ST7544 application board will give you a powerful analog front-end evaluation/development tool.

Two applications are available on board :

- Appli 1 : Analog front-end,
- Appli 2 : Modem analog front-end.

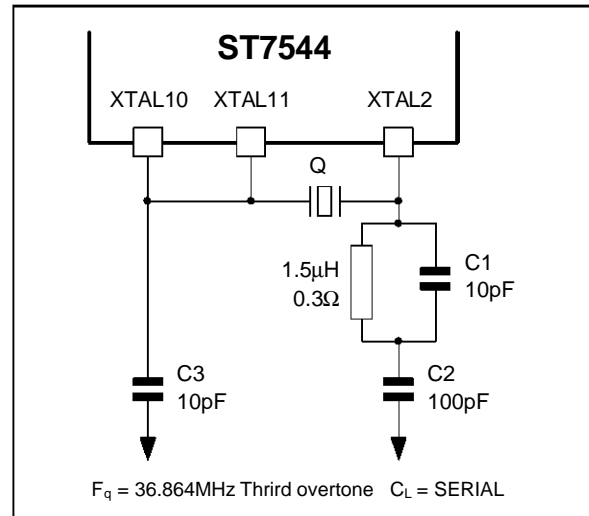
Figure 9



- Digital interface gives all necessary signals in order to control and program the ST7544.
- The Digital interface connector is fully compatible with **ST18933** development tools.
- Functionality with 2 crystals available on board,
- Eye diagram monitoring,
- Single-ended application.
- Full differential duplexer application.

II.1.1 - Single Crystal Oscillator

Figure 10



II.1 - CRYSTAL OSCILLATOR

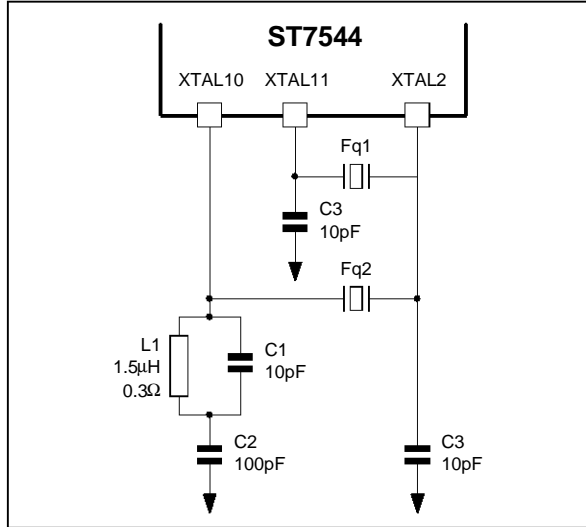
XTAL10 and XTAL11 inputs must be tied to external crystal(s) or external clock(s). These inputs are selected from the TxCtrl register. The maximum clock rate is 38MHz. XTAL10 is the default external clock/crystal input. It is mandatory to short-circuit XTAL10 and XTAL11 when a single external crystal or clock generator is used. The nominal master clock frequency is 36.864MHz but the onchip amplifier is designed for a parallel crystal oscillator with a frequency equal to 18.432MHz.

XTAL2 output is to be tied to one or two external crystal (Figures 10 and 11). If an external clock is used, XTAL2 should be left open.

Operating range : 0 - 70 deg, 5V ± 5%
 Start-up : Max. = 10mS
 Typ. = 3.7 mS

II.1.2 - Double Crystal Oscillator

Figure 11



Operating range : 0 - 70 deg, 5V ± 5%
 Start-up : Max. = 10mS
 : Typ. = 1.5 mS

II.1.3 - Quartz Specification

When you order a quartz, you have to specify the following parameters :

- Nominal frequency (e.g 36.864MHz ,25.848MHz)
- MODE (3rd overtone, Fundamental)
- Load capacitance (SERIAL, 30pF)
- Frequency tolerance (50 ppm from 0 to 70°C)

II.2 - APPLICATION 1 (single-ended)

II.2.1 - Transmit

The transmit part is a differential single-ended with low-pass filter realised by R6//C12 and R7//C13. The resistors R6 and R7 must be equal as must the capacitor C12 and C13.

The 3dB cut-off frequency of the 1st order filter inside the ST7544 is :

$$F_c = T_xOCLK / (2 \cdot \pi \cdot 10)$$

E.g : 1st LP : $F_{sx} = 7.2\text{kHz over}=4$
 then $F_c = 14.7\text{kHz}$
 2nd LP : $R = 15\text{k}\Omega$ $C = 680\text{pF}$
 then $F_c = 15.6\text{kHz}$

As the transfer function of the filters are known, the digital signal can be compensated if needed.

The $C14 = 1\mu\text{F}$ gives on BNC J5 a signal referenced to AGND.

II.2.2 - Receive

The receive part is single-ended to differential. There is a low-pass filter realised by R13, R14 and C16.

$$F_c = 1 / (2 \cdot \pi \cdot 1.2E03 \cdot 2E-12) = 66\text{kHz}$$

Having a F_c at 66kHz, we have a flat transfer function in working Band (0-4kHz).

We DO NOT recommend the use of OP-AMP based filter as OP-AMP will present high impedance at high frequencies. This low-pass filter **must be implemented as close as possible to the pins RxA1 and RxA2.**

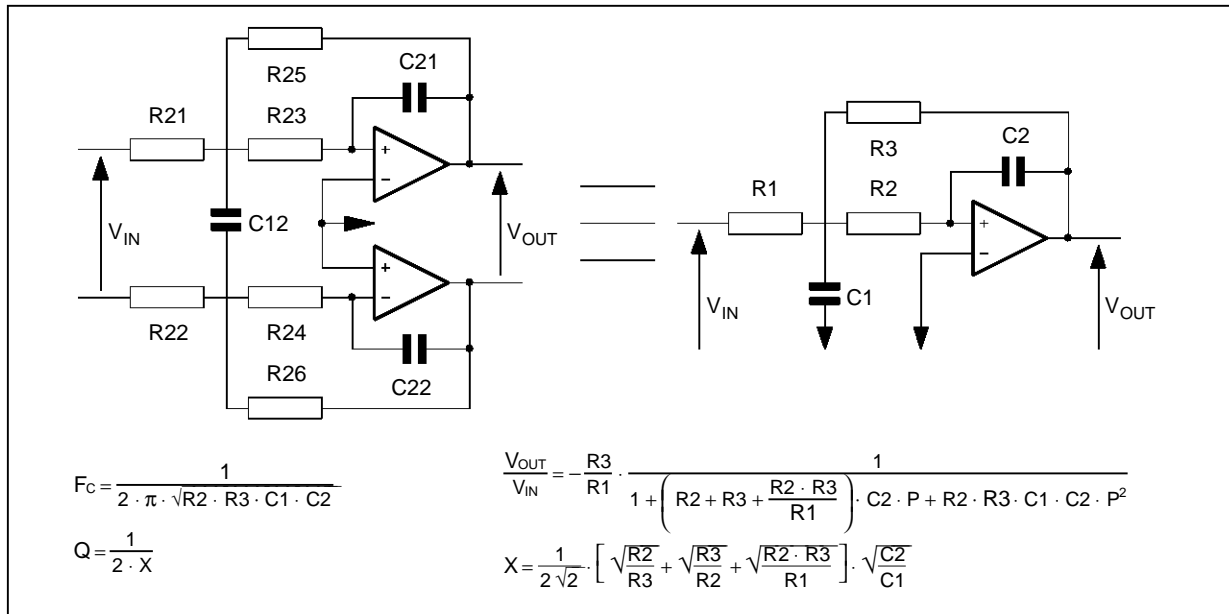
II.3 - APPLICATION 2 (duplexer)

II.3.1 - Transmit

We have a full differential low-pass filter on transmit the side before the DAA (see Figure 12)

- $R1 = R21 = R22 = 13.2\text{k}\Omega$
- $R2 = R23 = R24 = 22\text{k}\Omega$
- $R3 = R25 = R26 = 22\text{k}\Omega$
- $C1 = 2 \cdot C12 = 2 \cdot 680\text{pF} = 1360\text{pF}$
- $C2 = C21 = 100\text{pF}$
- $F_c = 19.6\text{kHz}$
- $A_o = - R3/R1 = -1.66$
- $X = 5 - Q = 0.1$

Figure 12

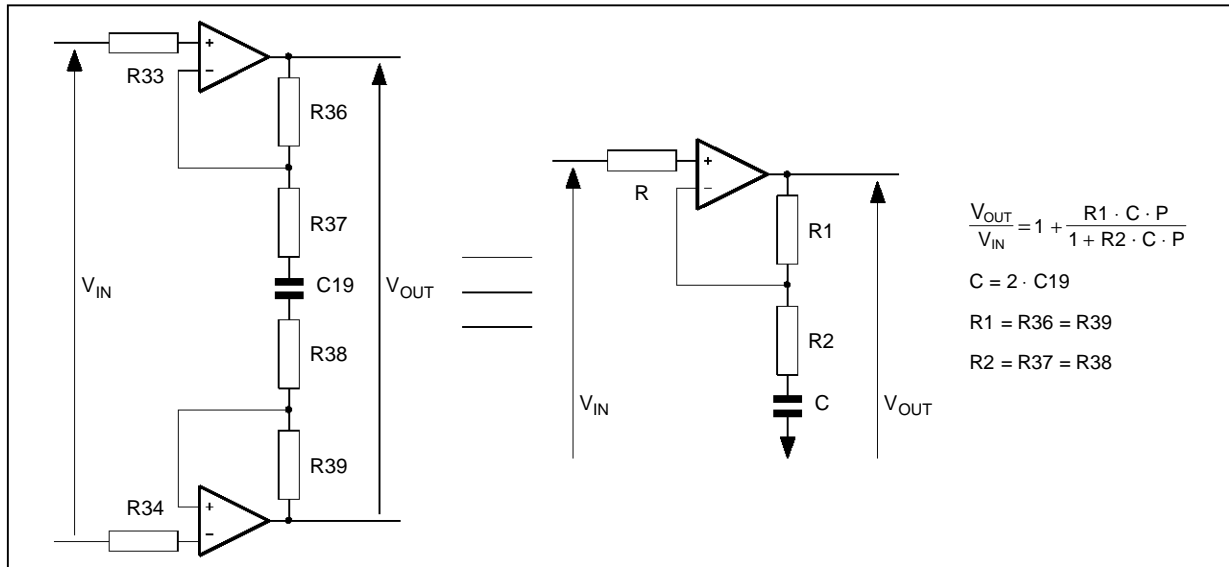


7544-32.EPS

II.3.2 - Receive

We have 2 filters as in application 1 (LPF, Fc = 66kHz) and describe below (DC offset suppress, Fc = 85Hz)

Figure 13

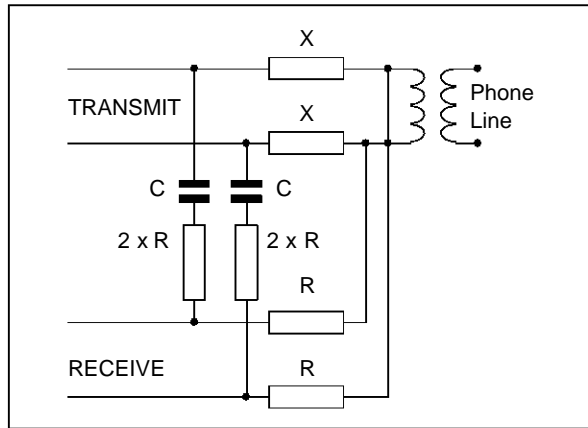


7544-33.EPS

II.3.3 - Duplexer

R,C : Improves the low frequency response. These values depend on the transfer function of the transformer. Filter transfer function realised by R,C must compensate for the loss in transformer at low frequency.

Figure 14



Z0 : Nominal line impedance.(e.g : Z0 = 600Ω)

TRANSFO : M = 1 , Rs = Rp = 100Ω

$$2 * X = Z0/M^2 - Rp - Rs/M^2$$

$$2 * X = Z0 - 2 * Rp = 600 - 200 = 400$$

$$X = 200\Omega$$

II.4 - PERFORMANCE MEASUREMENT

II.4.1 - Configuration

The following measurements have been made with ST7544 application board on application (1) with crystal 36.864MHz. The analog transmit signal (J5) is connected to analog receive signal (J4).

The IIR1 filter (low-pass) file is the following :

FFFF	0000	0000	A000	0000	0000
B7D8	42B0	0118	CA08	A000	B570
48A0	2838	CB68	A000	B268	5070
3508	CFA0	A000	AED8	59D0	2898
DD90	A000	AC18	6118	07A0	3368
A000	ADF0	5338	0858	4098	A000
0000	0000	0008			

The IIR2 and IIR3 filter (band-pass filter) files are the following :

FFFF	0000	0000	3C88	E000	0000
3D88	0000	37E0	E000	0000	B6A0
4D18	0CE0	E000	0000	BEB8	4278
0B58	C9A8	A000	B940	4210	0E68
CBE8	A000	B7E8	46E0	0F98	D520
A000	B5A0	5278	0238	1690	A000
0000	0000	0020			

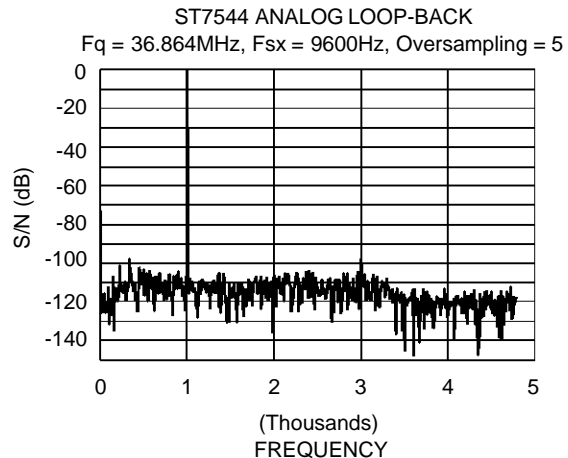
The control registers are programmed as following :

- F9A4 TxCR1 M*Q=4*6 U=4 P0=3 and BS=0, Fsx = 9600Hz, Symbol rate = 2400 baud, Txhclk = 12.288MHz, Band split Mode inactive
- F8F1 TxCR0 NRST=F1h, Bit rate clock frequency = 14400Hz
- FB40 TxCR3 V=010b , W=0 , Ts=000 , DL=0, Fcomp = Txrdk, Oversampling ratio = 160, Phase shift freq (Fsx/2 (Fq ± Fsx/2))normal mode
- FAC4 TxCR2 AT=11b, LTX=0, LC=0, SST=0, VF=0, R2=0, attenuation = 0dB, mode 7543, synchronize TxCLK on TxRCLK, Normal mode synchronization
- 01A4 RxCR1 idem TxCR1
- 00F1 RxCR0 idem TxCR0
- 0200 RxCR2 no phase shift
- 0340 RxCR3 V = 160 - Interpolation ratio

II.4.2 - Measurement

We generate a digital sinewave of 1003.125Hz (1024 samples). This signal is sent to Txsig. Then we do a FFT (1024 samples) on the digital receive signal RxTx.

Figure 15



We have S/N = 84.43 dB. The band noise is double because of analog loop-back , so if we want to calculate the dynamic range of the ST7544 ,we add 3dB to the S/N.

$$S/N = 84.43 + 3 = 87.43 \text{ dB at Signal} = -6.13 \text{ dB}$$

$$S/N = 87.43 + 6.13 = \mathbf{93.56 \text{ dB} = \text{DYNAMIC}}$$

$$S/N = 6.02 * Nbit + 1.76$$

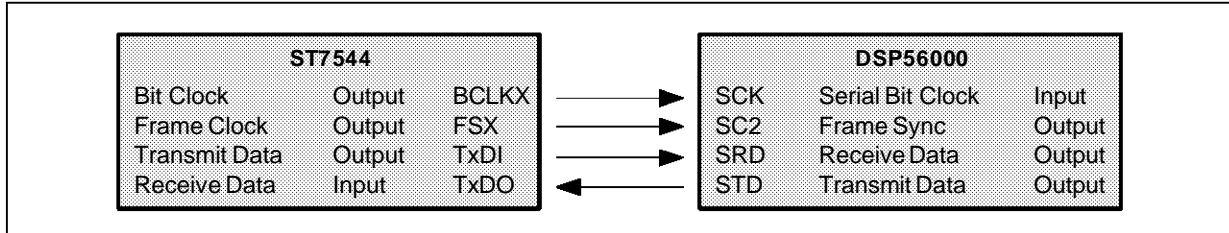
$$Nbit = (93.56 - 1.76) / 6.02 = \mathbf{15.25 \text{ bits}}$$

ST7544 - UNIVERSAL ANALOG FRONT-END

III - INTERFACING ST7544 WITH DSP56000 (MOTOROLA)

You will find below a suggested interface of our ST7544 with DSP56000 series from Motorola. We use the ST7544 in single SSI. The different connection are as following :

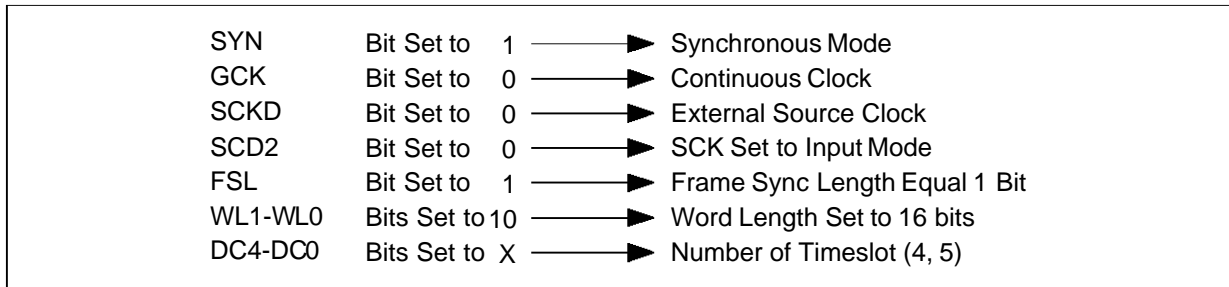
Figure 16



7544-46.EPS

The DSP56000 control register bit has to be configured as following :

Figure 17

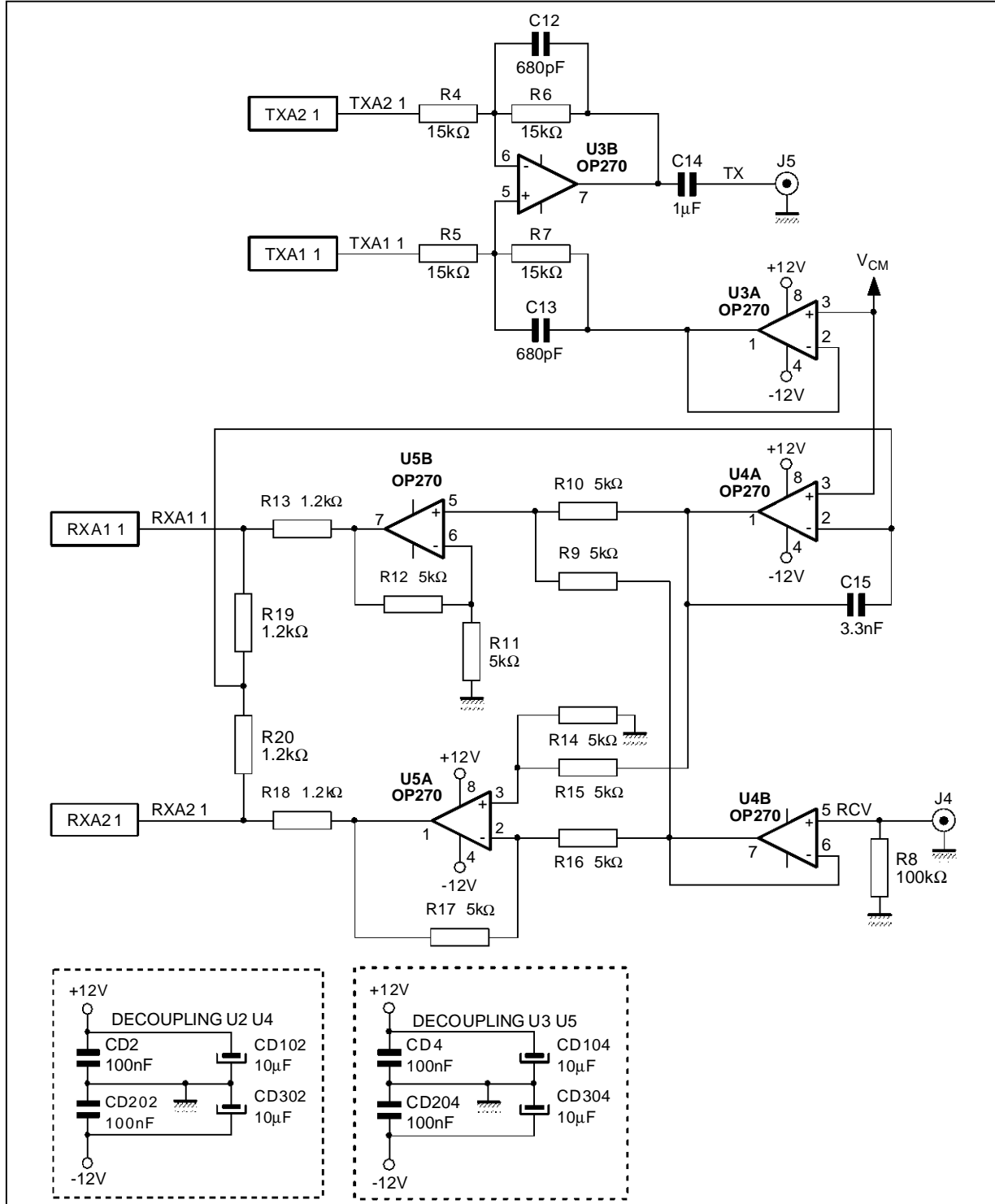


7544-47.EPS

And you have to program the DSP in Network mode.

ANNEXE 1 : Demoboard Schematics

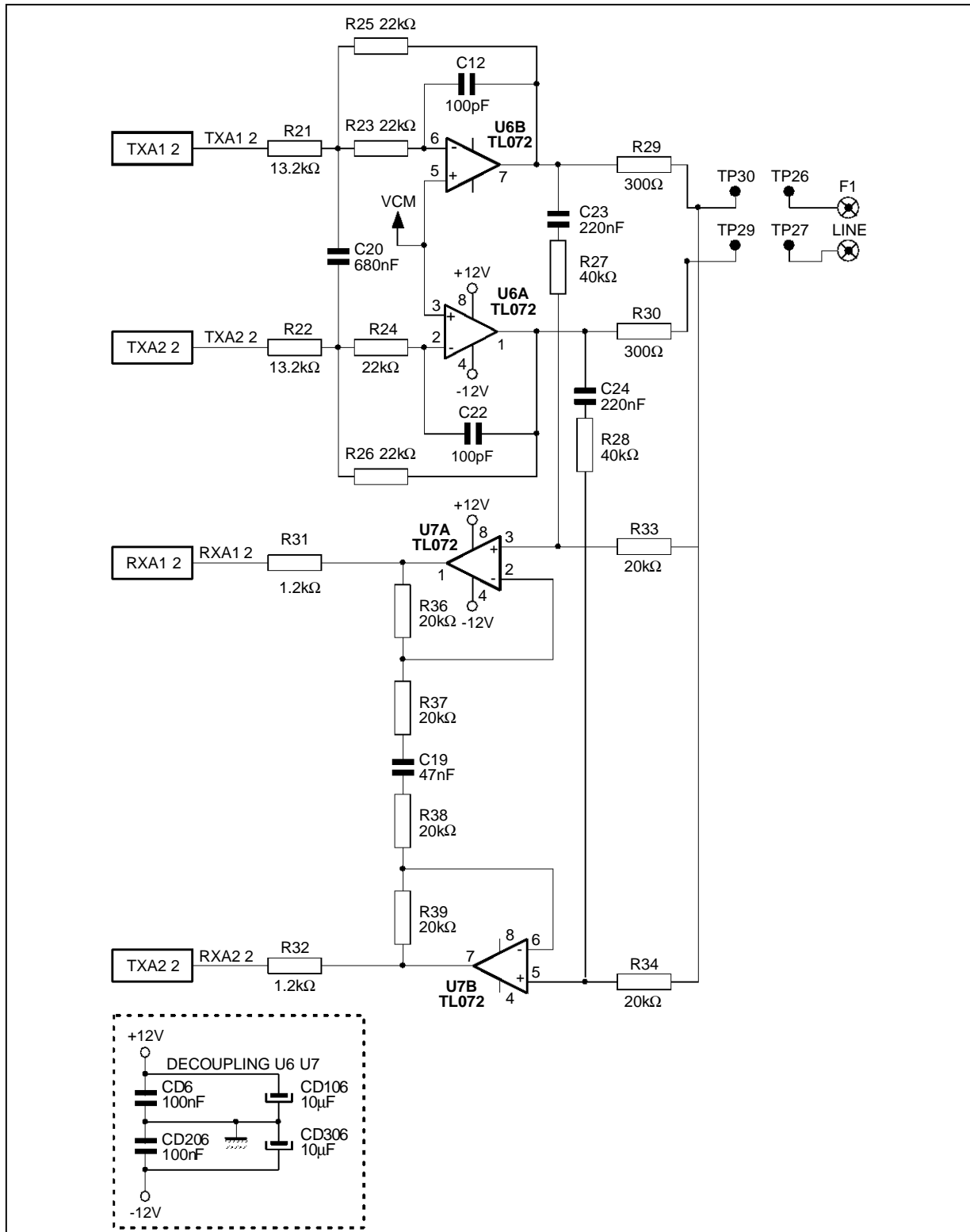
Figure 18



7544-36.EPS

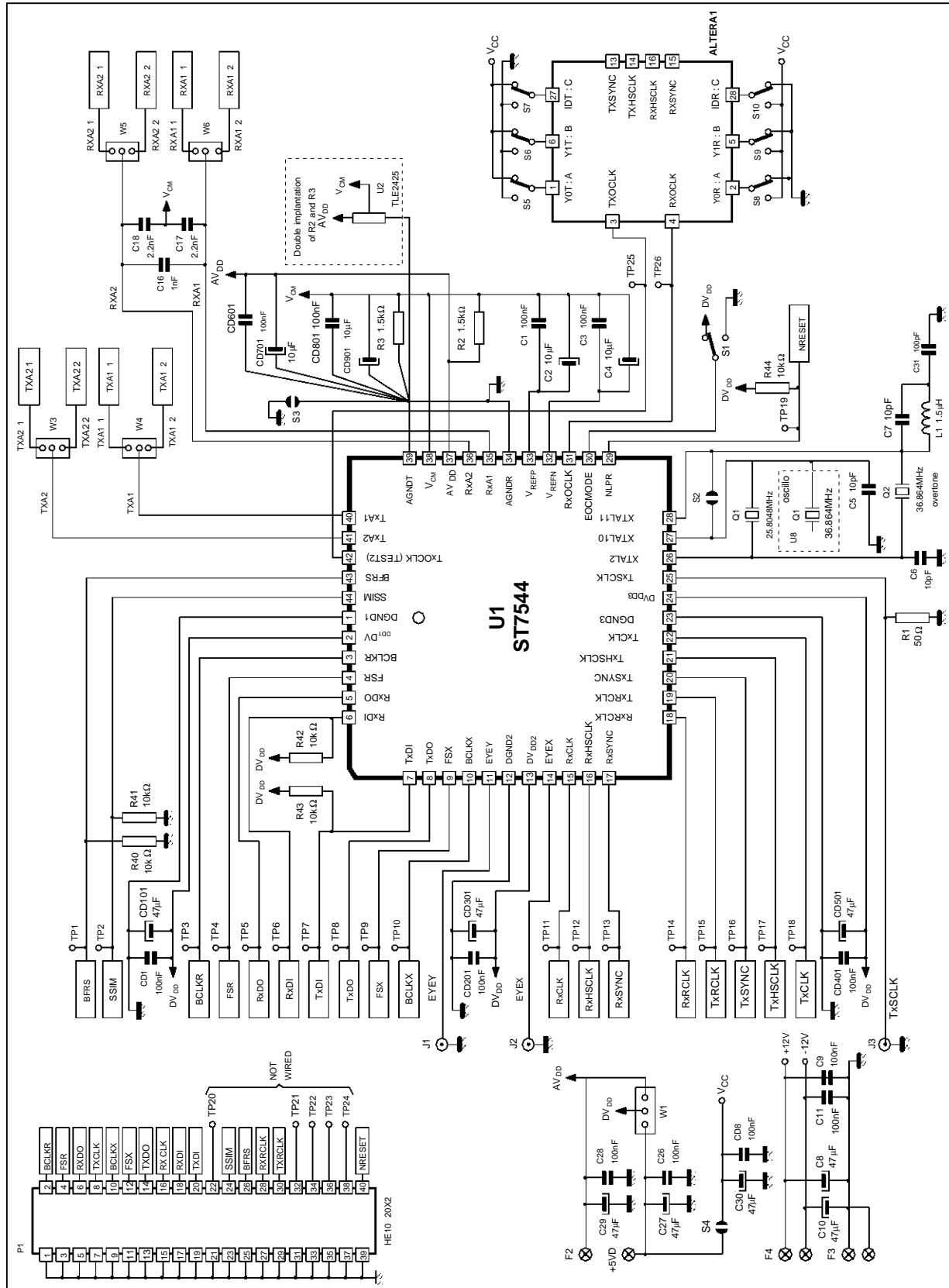
ST7544 - UNIVERSAL ANALOG FRONT-END

Figure 19



7544-37.EPS

Figure 20



7544-38.EPS

Figure 22 : Layer 1 - Components Side

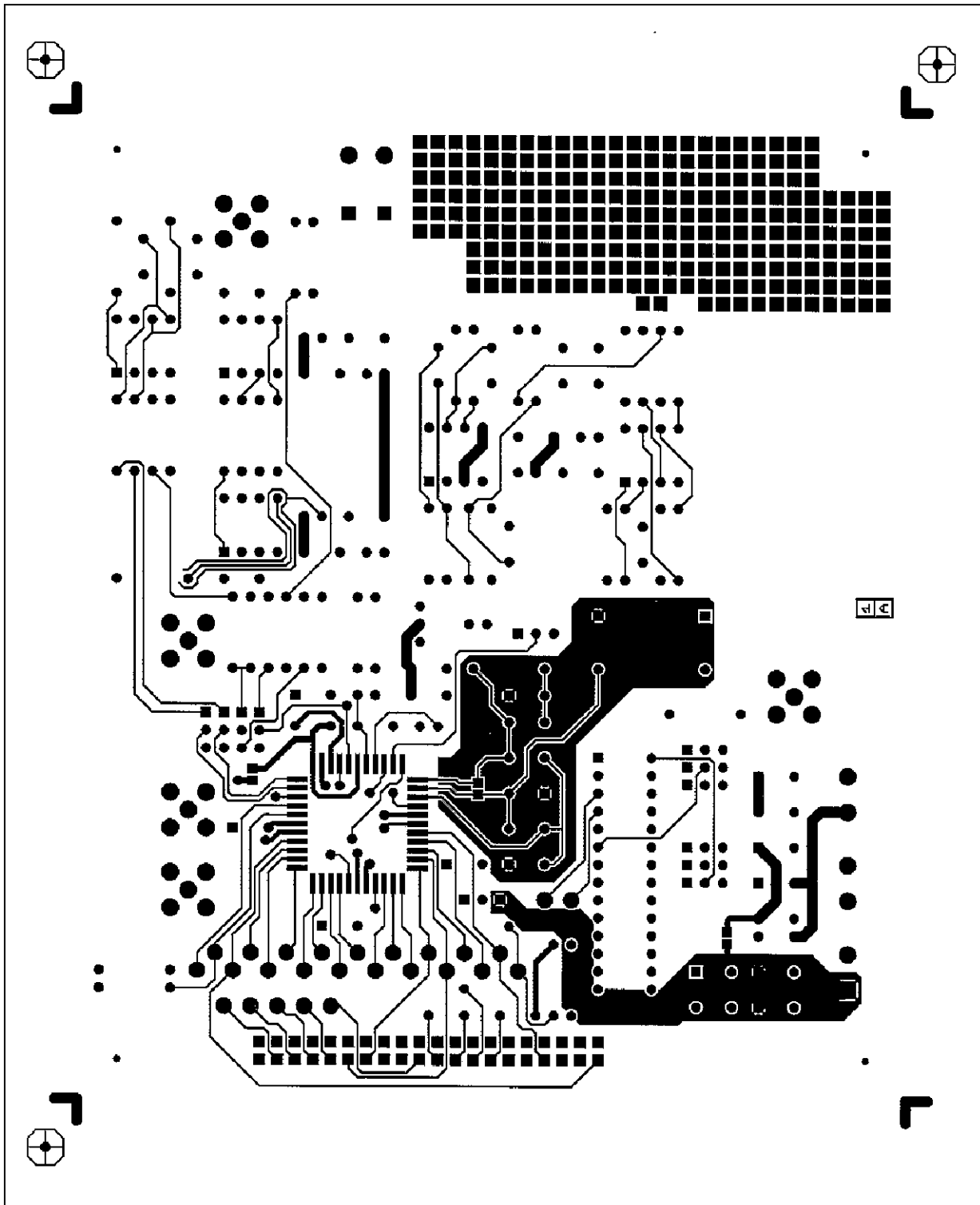
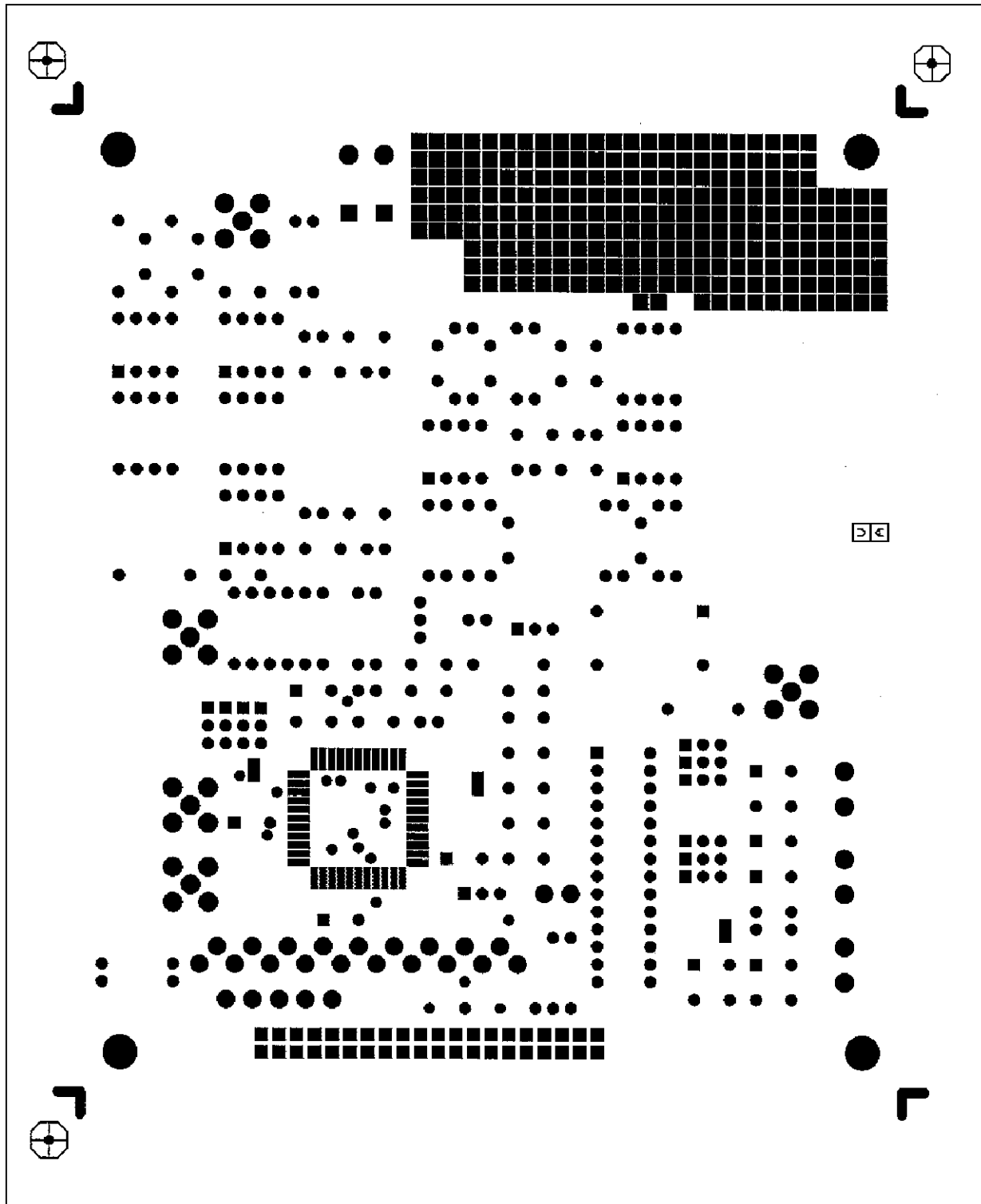
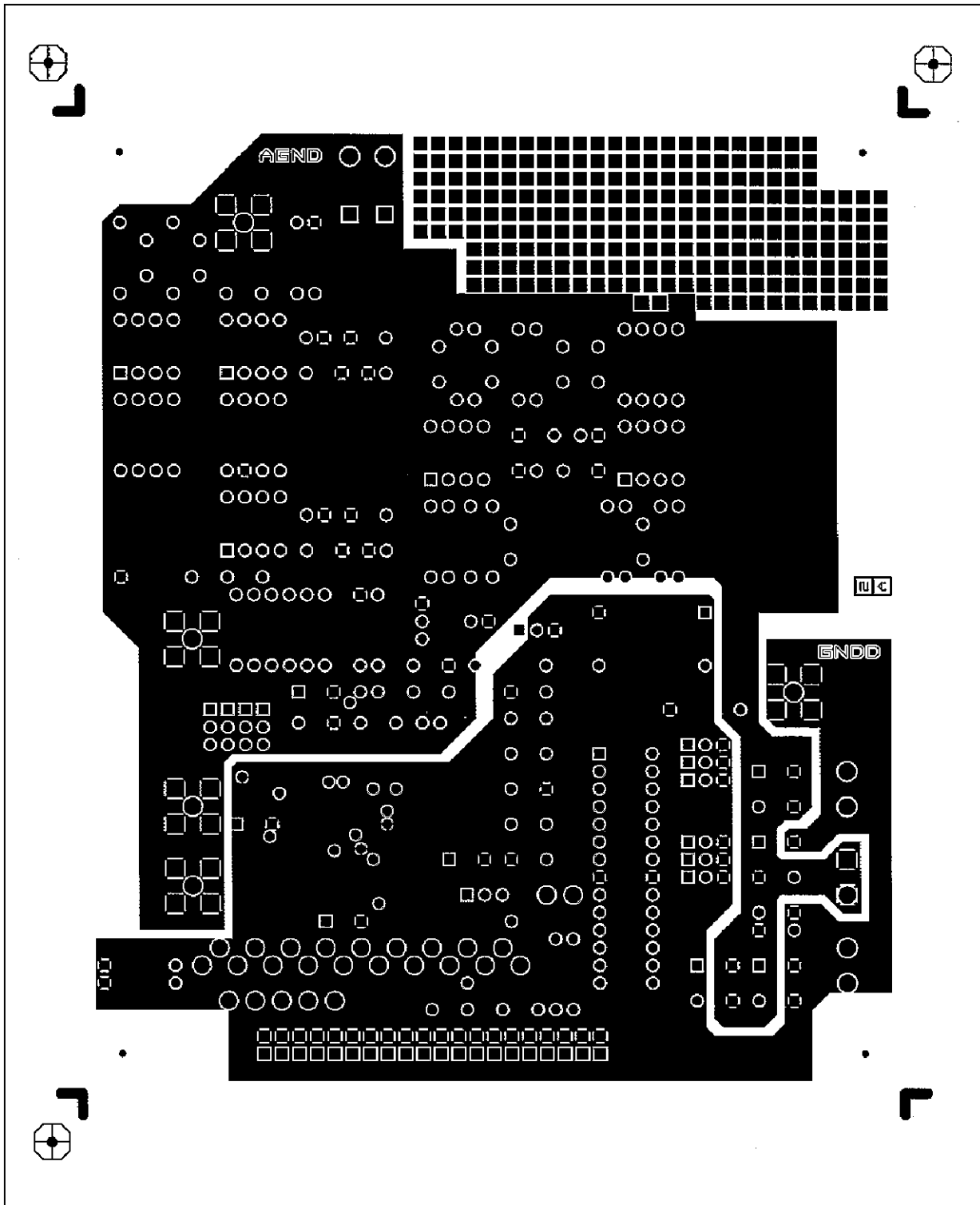


Figure 23 : Layer 1



7544-41.TIF

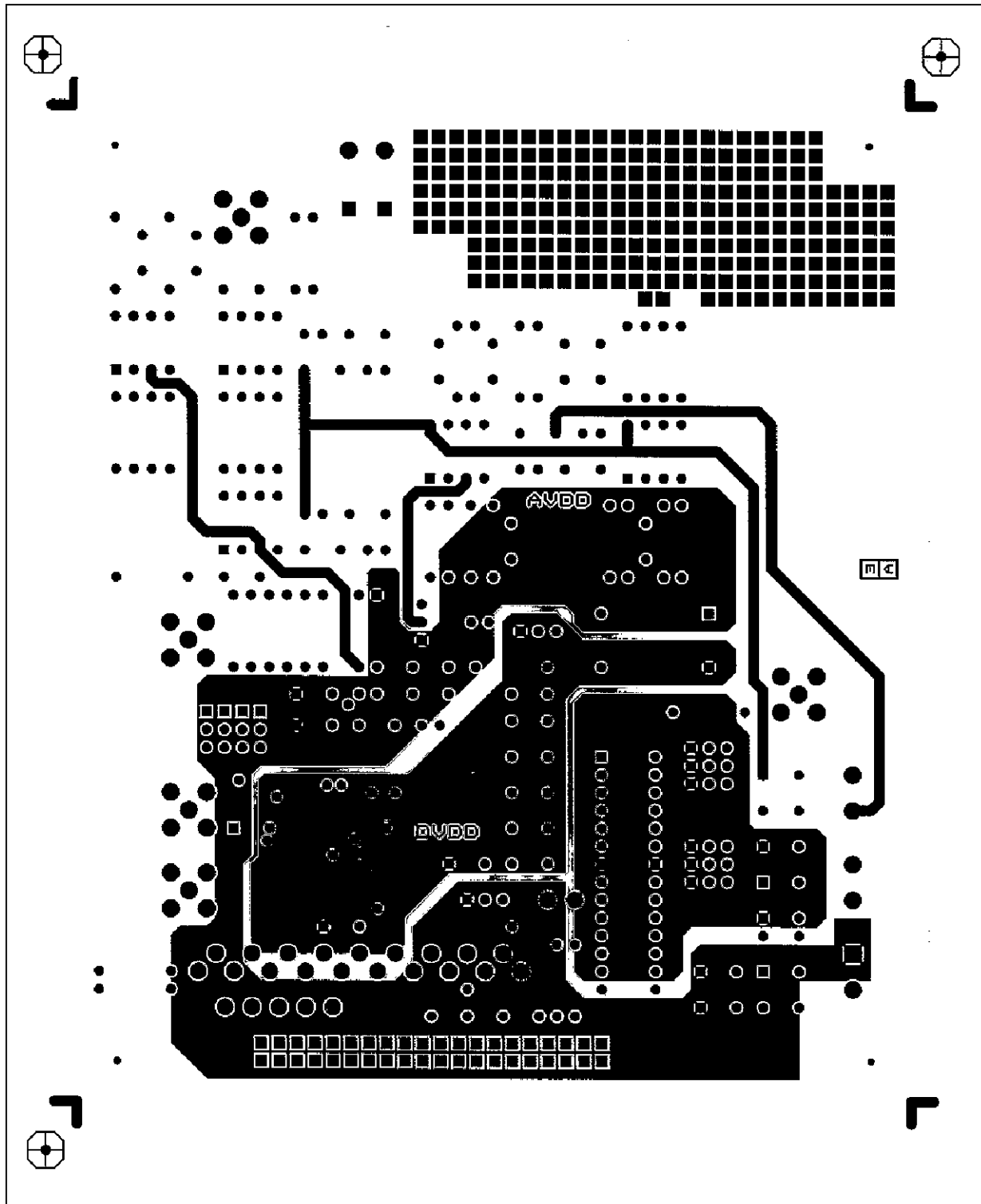
Figure 24 : Layer 2 - GNDD, AGND



7544-42.TIF

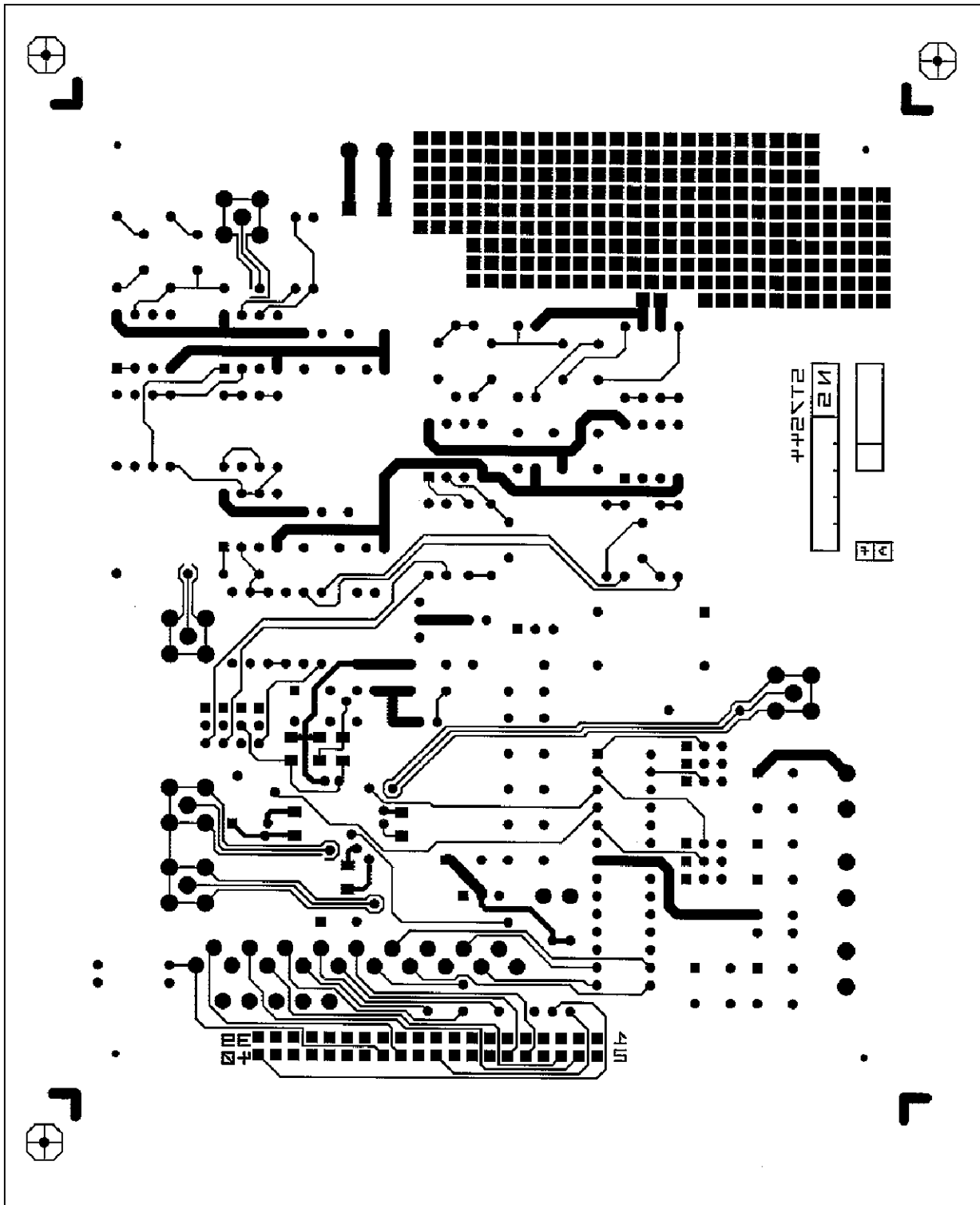
ST7544 - UNIVERSAL ANALOG FRONT-END

Figure 25 : Layer 3 - DVDD, AVDD



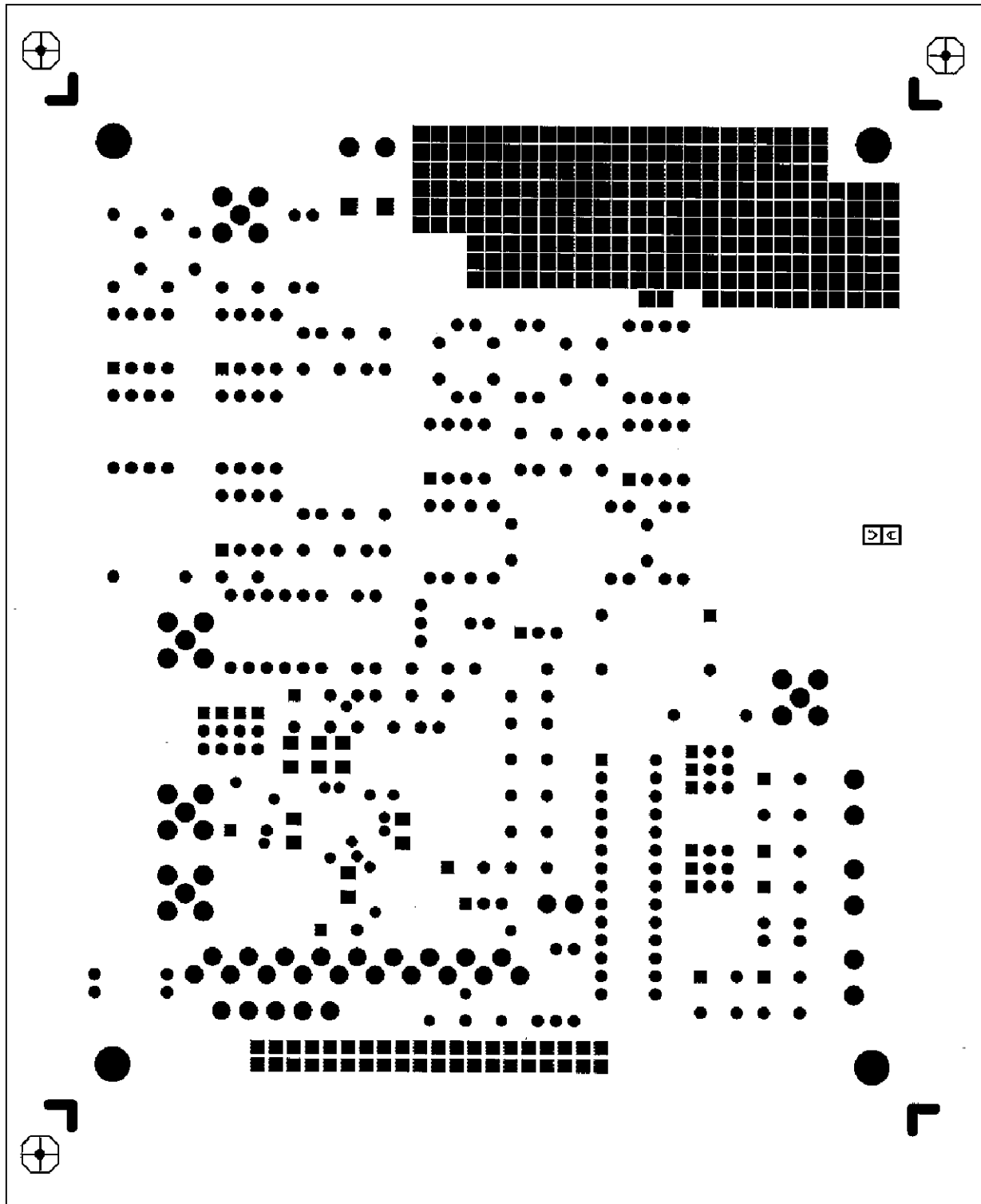
7544-43.TIF

Figure 26 : Layer 4



7544-44.TIF

Figure 27 : Layer 4



7544-46.TIF

Information furnished is believed to be accurate and reliable. However, SGS-THOMSON Microelectronics assumes no responsibility for the consequences of use of such information nor for any infringement of patents or other rights of third parties which may result from its use. No licence is granted by implication or otherwise under any patent or patent rights of SGS-THOMSON Microelectronics. Specifications mentioned in this publication are subject to change without notice. This publication supersedes and replaces all information previously supplied. SGS-THOMSON Microelectronics products are not authorized for use as critical components in life support devices or systems without express written approval of SGS-THOMSON Microelectronics.

© 1995 SGS-THOMSON Microelectronics - All Rights Reserved

Purchase of I²C Components of SGS-THOMSON Microelectronics, conveys a license under the Philips I²C Patent. Rights to use these components in a I²C system, is granted provided that the system conforms to the I²C Standard Specifications as defined by Philips.

SGS-THOMSON Microelectronics GROUP OF COMPANIES

Australia - Brazil - China - France - Germany - Hong Kong - Italy - Japan - Korea - Malaysia - Malta - Morocco
The Netherlands - Singapore - Spain - Sweden - Switzerland - Taiwan - Thailand - United Kingdom - U.S.A.