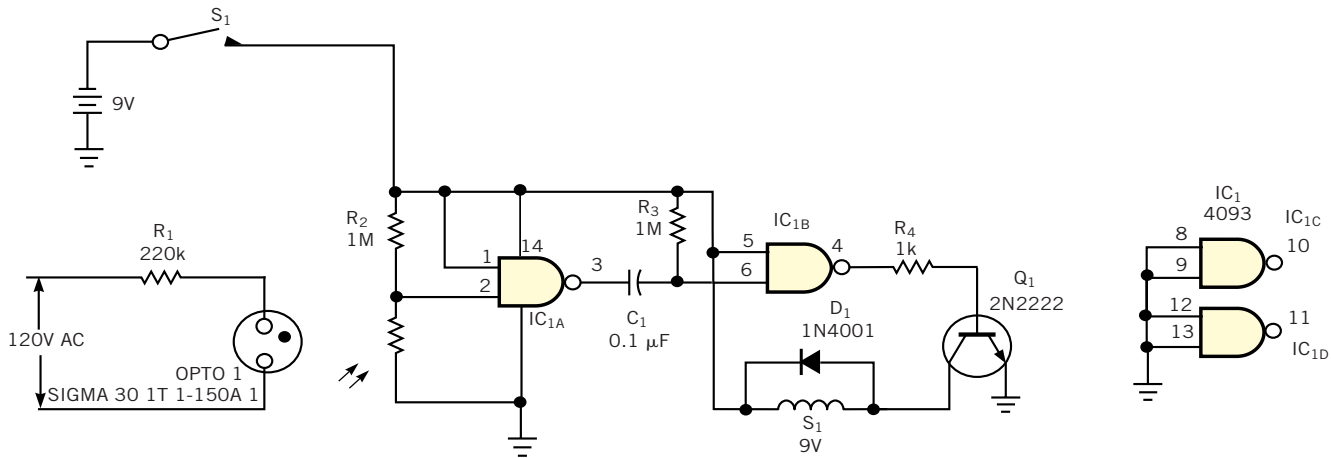


Figure 1



This circuit sets a flag or triggers a visual alarm when the ac-power line fails.