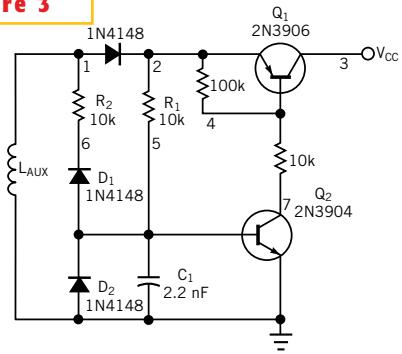


Figure 3



This component arrangement creates a discrete sample-and-hold system.