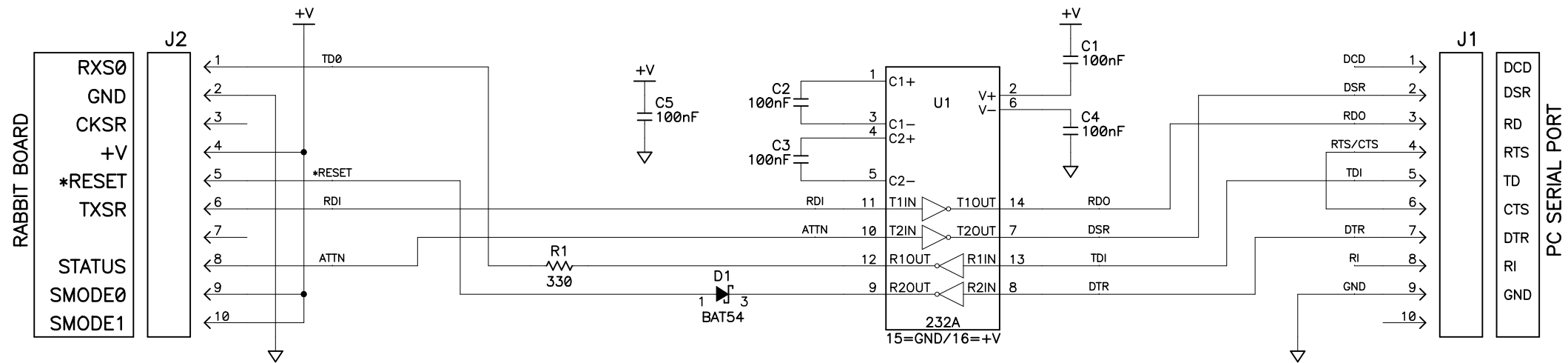


REVISION HISTORY			REVISION APPROVAL			
REV	ECO	DESCRIPTION	PROJECT ENGINEER	APPROVAL DATE	DOCUMENT CONTROL	APPROVAL DATE
X1	----	Engineering Prototype Release A/W Rev-A	RH	----	----	----
A	E10680	INITIAL RELEASE OF SCHEMATIC, PCB A/W @ REV-B				



NOTES: UNLESS OTHERWISE SPECIFIED;
 1. ALL RESISTOR VALUES ARE IN OHMS, 1/10W, 5%
 2. ALL CAPACITORS ARE 50VDC OR HIGHER.
 3. THE ORIGATION SOURCE OF A VOLTAGE IS REPRESENTED BY (VCC), AND ALL REFERENCES TO THAT VOLTAGE ARE REPRESENTED BY (VCC).

APPEND THE FOLLOWING DOCUMENTS WHEN CHANGING THIS DOCUMENT:		DRAWING CONTENT:		TITLE	
DRAWN BY: (INITIAL RELEASE)	KAH	DATE	15MAR99	SCHEMATIC DIAGRAM RABBIT SIB	
REVISED BY:	KAH	DATE	13AUG99		
APPROVALS: INITIAL RELEASE					
PROJECT ENGINEER:				SIZE B DWG NO. 090-0085	
ENGINEERING MANAGER:					
SIGNATURES		DATE		SCALE	NONE
				RELEASE DATE	
				SHEET	1 OF 1

