

PULNiX

TM-1320-15CL

AccuPiXEL Series



General Description

The TM-1320-15CL is a miniature, high-resolution monochrome progressive scan CCD camera. The imager resolution is 1300 x 1030 pixels and the frame rate is 15 frames per second. The interline transfer CCD permits full vertical and horizontal resolution of high speed shutter images. The electronic shutter has speed up to 1/16,000 sec. and can be reset asynchronously by external pulse control. The square imager format with uniform square pixels provides superior image definition in any orientation.

The TM-1320-15CL has a patent-pending, PULNiX exclusive, built-in look-up table (LUT). This full dynamic range-control function can be set at externally selectable knee slopes to optimize the CCD's full dynamic range in the normal output signal range.

Camera Link™ is a cable specification that includes data (8 bits) transmission as well as camera control and asynchronous serial communication all on a single cable. The Camera Link standard defines a single connector for both the frame grabber and camera end, and ensures that all Camera Link products are interchangeable with each other.

The TM-1320-15CL has a pixel clock locking phase lock loop (PLL) for multi-camera operation which requires exact data and clock phases from each camera (optional).*

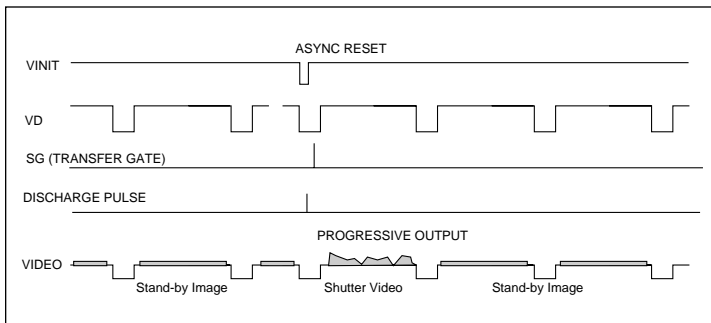
Applications for the TM-1320-15CL include machine vision, medical imaging, intelligent transportation systems, high-definition graphics, gauging, character recognition, documents archiving, and surveillance.

Asynchronous Reset

The TM-1320-15CL's asynchronous reset is flexible and accepts external horizontal drive (HD) for phase locking. When the VINIT pulse is applied, it resets the camera's scanning and purging of the CCD. There are two modes to control the asynchronous reset and shutter speed:

1 External VINIT with pulse width. The duration between pulse edges controls the shutter speed externally.

2 Internal shutter speed control. The speed control varies from 1/125 to 1/16,000 sec. The video signal and FDV starts with internal V reset timing related to shutter speed.



* Option not currently available

Product Summary

- High-resolution, high-speed 2/3" progressive scan 1300(H) x 1030(V) interline transfer CCD imager
- Miniature 44x44x64 mm housing with high-rel connector
- Digital Camera Link output or analog output
- 15 frames per second (12 frame, 24 frame model available)
- Maximum dynamic range control with PULNiX-exclusive, patent-pending built-in look-up table (Gamma, knee, user parameters)
- Full frame integration, two-row binning (1300x515 pixels) at 30 fps.
- Full-frame shutter to 1/16,000 sec.
- Asynchronous reset with external shutter control
- LVDS Camera Link external control

Electronic Shutter

The TM-1320-15CL has a substrate drain-type shutter mechanism which provides a superb picture at various speeds without smearing. A built-in manual shutter speed control selects the electronic shutter rate of 1/60 (non-async mode only), 1/125, 1/250, 1/500, 1/1,000, 1/2,000, 1/4,000, 1/8,000, or 1/16,000 second.

The CCD discharges when discharge pulse is applied via internal shutter control. With a negative pulse to VINIT, the camera resets and purges the CCD charge momentarily. Then it starts integrating for the period of preset shutter control time by either an external pulse width or internal shutter control.

Progressive scanning permits a full 1030 lines of vertical resolution, as compared to a conventional CCD camera which captures only half the vertical lines per shutter.

Integration

The CCD imager of the TM-1320-15CL can be exposed for longer than the normal scan timing of 1/15 sec. This integration feature provides extra sensitivity for dark-environment applications. The progressive-scan imager permits a full frame of resolution in non-interlace format. Integration is achieved by applying INTEG signal to pin #11 of the 12-pin connector or pin #6 of the 31-pin connector, or by feeding VINIT pulse width control up to 1 sec at the pulse width.

TM-1320-15CL

AccuPiXEL Series

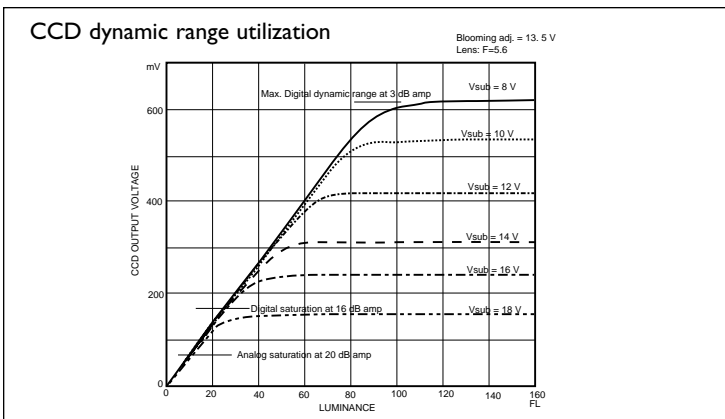
TM-1320-15CL Progressive Scan High-Resolution Shutter Camera

Dynamic Range Control

Typical interline transfer CCDs have fixed noise levels based on dark current (thermal or KT noise), pattern noise, and operating clock speed. Typically for a 1k x 1k CCD operating at 20MHz pixel clock, the noise level is around 30 electrons. The maximum capacity of the CCD charges is limited by the well capacity at saturation. The range is limited by the structure and the pixel size.

The TM-1320-15CL uses a 2/3" CCD with 6.7 μm x 6.7 μm pixel and three-phase vertical shift register structure. The well capacity is 16,000 electrons. The theoretical dynamic range is 16,000:30 = 5331:1 (54 dB).

A typical CCD camera does not use the full dynamic range due to the nominal gain and the output specification such as RS-170. The typical CCD camera has its gain set at 16 to 22 dB and the RS-170 video level is 714 mV. Using 20 dB gain for the calculation, CCD output is limited to 714/10 = 71.4 mV. Since the CCD's saturation voltage is 400 mV to 500 mV, it uses less than 1/5 of the full dynamic range.



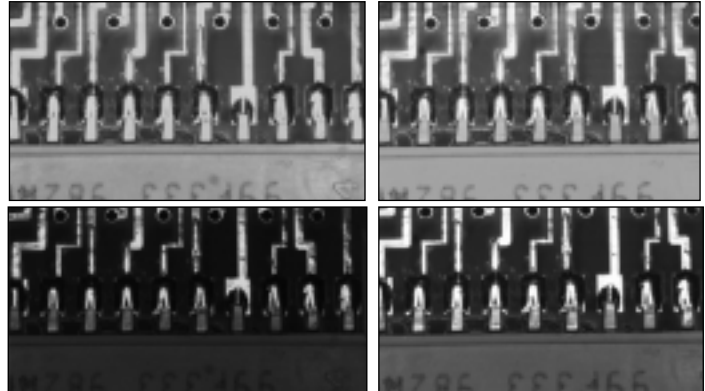
Machine vision and outdoor applications cannot afford to miss image information behind the saturation, which is why the dynamic range adaptation is critical.

Programmable LUT and Knee Control (patent pending)

The TM-1320-15CL has a built-in LUT (look-up table) for dynamic range control.

At a specific gain setting, the offset (minimum level... dark point) and A/D reference top voltage (maximum level... saturation point) are set to 10-bit A/D input so that the full dynamic range of the CCD is utilized at 10-bit references as the input and the LUT output is converted into 8-bit to adjust the gamma correction.

The look-up table has two knee points (variable gamma selection) that allow the 10 bits to be segmented into three regions. The look-up table selection can be made either by variable knee curve or by direct input of the knee coordinates.



Linear image: When PCB surface is visible, metal trace is saturated. If the metal surface appears, then the plastic surface is too dark.

Knee-controlled image: The upper is LUT#6, the lower is #7. Both show the full dynamic range with different effects.

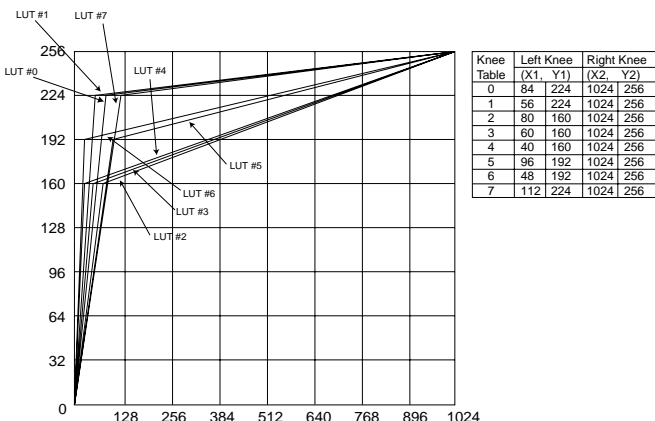
Scan Mode

Full Progressive Scan

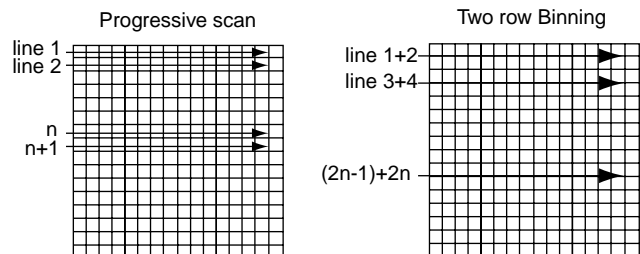
Normal scanning mode for the TM-1320-15CL is 1300 x 1030 pixels. The standard speed with single-channel output is 15 frames/sec at the pixel clock of 25 MHz*. Unlike an interlace scan camera, the TM-1320-15CL reads every line from top to bottom, resulting in all lines being obtained per captured image frame with electronic shutter.

Two-Row Binning

This is a standard feature in the TM-1320-15CL. The camera scans two rows together and outputs 1300 (H) x 515 (V) pixels at 30 frames per second. Two-row binning is typically implemented to increase the frame rate.



Note: The second knee point on the built-in LUT defaults to position (1024, 256). To reposition this point, click on it and drag it to a new location.



The TM-1320-15CL is also available with options for 12fps (20MHz pixel clock) and 24 fps (40MHz pixel clock).

TM-1320-15CL Progressive Scan High-Resolution Shutter Camera

External Sync

The TM-1320-15CL accepts an external sync. of standard HD and VD at TTL level for general locking to a system sync. and clock. The external sync. is only available for 15-frame mode. The frequency requirement is as follows:

$$f_{HD} = 15.47 \text{ KHz} \pm 5\%$$

$$f_{VD} = 15.00 \text{ Hz} \pm 5\%$$

Internal Master clock = 50.0 MHz,

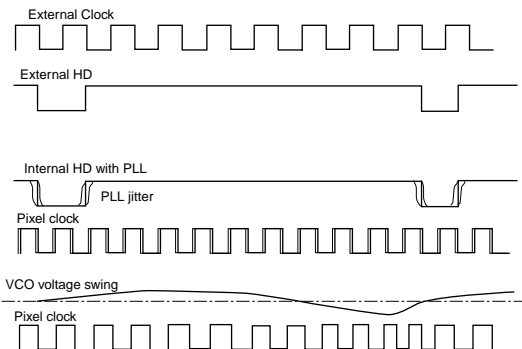
Pixel clock = 25.0 MHz

Please contact PULNiX for TM-1320-15CL timing charts.

Pixel Clock Locking (optional)*

For multiple-camera applications such as 2D or 3D measurement, a parallel digital data input capability is important. The high resolution and precision measurement require that camera data be consistent and free from phase lock loop (PLL) jitter. This is especially important for digital output multiplexing.

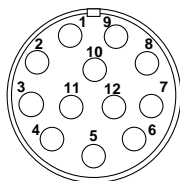
The TM-1320-15CL has an optional capability for pixel clock locking. It takes RS-644 (differential) external clock and H and V reset sync (TTL or RS-644). By doing this, each camera's digital data is in-phase with the pixel clock (data clock) for multiplexing or parallel input to a frame grabber.



12-Pin Connector

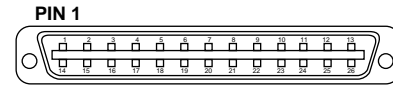
- 1 GND (power)
- 2 +12V
- 3 GND (analog)
- 4 Video out
- 5 GND (digital)
- 6 VINIT in
- 7 VD in
- 8 GND
- 9 HD in
- 10 RXD*
- 11 Int. cont
- 12 TXD*

* Optional TTL serial communications



Connector and Pin Configurations

Camera Link Connector



MDR 26-pin connector (0226-622VC)

Pin#	Description
1	GND (Shield)
2	X0-
3	X1-
4	X2-
5	Xclk-
6	X3-
7	SerTC+
8	SerTFG-
9	CC1-
10	CC2+
11	CC3-
12	CC4+
13	
14	GND (Shield)
15	X0+
16	X1+
17	X2+
18	Xclk+
19	X3+
20	SerTC-
21	SerTFG+
22	CC1+
23	CC2-
24	CC3+
25	CC4-
26	GND (Shield)

Camera Link Signal Assignment to Channel Link Chip

Tx IN0	Data A0 (LSB)
Tx IN1	Data A1
Tx IN2	Data A2
Tx IN3	Data A3
Tx IN4	Data A4
Tx IN5	Data A7 (MSB)
Tx IN6	Data A5
Tx IN7	
thru	N/C
Tx IN23	
Tx IN24	LDV
Tx IN25	FDV
Tx IN26	N/C
Tx IN27	Data A6

TM-1320-15CL Progressive Scan High-Resolution Shutter Camera

SPECIFICATIONS

Imager	2/3" progressive scan interline transfer CCD
Active Area	8.7mm x 6.9mm
Active Pixels	1300 (H) x 1030 (V)
Cell size	6.7 μ m x 6.7 μ m
Display Mode (Active Pixels)	1300 (H) x 1030 (V) @ 15 Hz 1300 (H) x 515 (V) @ 30Hz (two-row binning)
Sync	Internal/external auto switch HD/VD, 4.0 Vp-p impedance 4.7K Ω VD=15 Hz \pm 5%, non-interlace, HD=15.47 kHz \pm 5%
Data clock output	25.00 MHz
Resolution	Digital: 1300 (H) x 1030 (V), Analog: over 900 TV lines (H) x 800 TV lines (V)
S/N ratio	50dB min.
Min. illumination	1.0 lux, f=1.4 without IR cut filter (no shutter) Sensitivity: 10 μ V/e-
Video output	Analog: 1.0 Vp-p composite video, 75 Ω Digital: 8-bit RS-644

AGC	OFF
Gamma	Programmable LUT(1.0 std.)
Lens mount	C-mount (use>2/3" format lenses)
Power req.	12V DC \pm 10%, 500 mA (current measured at 25 $^{\circ}$)
Operating temp.	-10 $^{\circ}$ C to 45 $^{\circ}$ C*
Vibration	7Grms (10 Hz to 2000 Hz) Random
Shock	70G
Size (W x H x L)	44mm x 44mm x 64mm (1.73" x 1.73" x 2.51")
Weight	133 grams, 4.7 oz (without tripod)
Functional options	Adjustable back-focus front end, 12 fps, 24 fps, pixel clock locking

Optional accessories	(must be ordered separately)
I/O	26CL-02-26 Camera Link cable
Power cable	12P-02S
Power supply	PD-12UUP series (includes power connector)

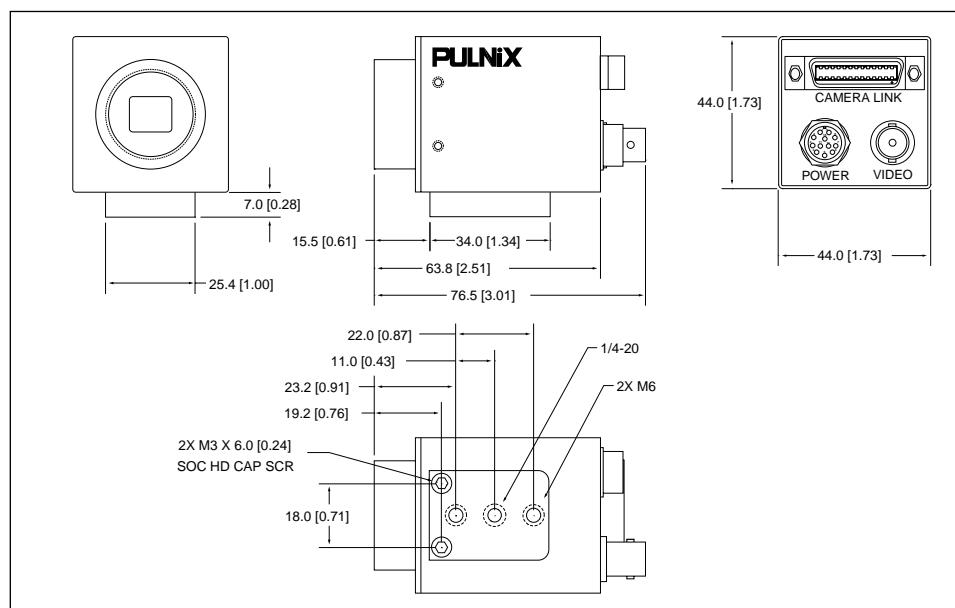
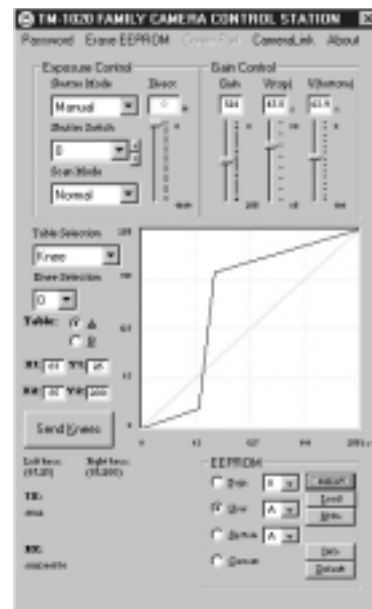
* Image quality will degrade with increasing temperature.

Graphical User Interface

User-friendly GUI software, p/n 69-0094, is provided. This interface allows users to control the following functions of the TM-1320-15CL camera:

- **Shutter control for manual async. and pulse width control**
- **Gain control**
- **A/D reference voltages control for Vtop and Vbottom**
- **Save settings**
- **Load settings**
- **Report settings**
- **LUT setting and graphic display**
- **Scanning mode selection and Option selections**

Camera parameters can be uploaded from the PC to the camera. Once these parameters are stored in EEPROMs, an instantaneous change from one setting to another can be done with a delay of few frames in between.



71-0053 Rev.A AccuPiXEL Series TM-1320-15CL

Japan
PULNiX America, Inc.
1-11-14 Hongo Bunkyo-ku,
Tokyo 113-0033
Tel: 81-3-5805-2455
Fax: 81-3-5805-8082
www.pulnix.co.jp

Australia
PULNiX America, Inc.
16 / 35 Garden Road
Clayton, VIC 3168
Tel: 61-(0)3-9546-0222
Fax: 61-(0)3-9562-4892
Email:
pulnix@ozemail.com.au

United Kingdom
PULNiX Europe, Ltd.
PULNiX House,
Aviary Court, Wade Road
Basingstoke, Hampshire
RG24 8PE
Tel: 44(0)1256-475555
Fax: 44(0)1256-466268
www.pulnix.eu.com

Germany
PULNiX Deutschland, GmbH.
Siemensstrasse 12
D-63755 Alzenau
Tel: 49(0)6023-9625-0
Fax: 49(0)6023-9625-11
www.pulnix.de



PULNiX

Innovation at work!

PULNiX America, Inc. Tel: 408-747-0300
1330 Orleans Drive Tel: 800-445-5444
Sunnyvale, CA 94089 Fax: 408-747-0660