

Figure 1



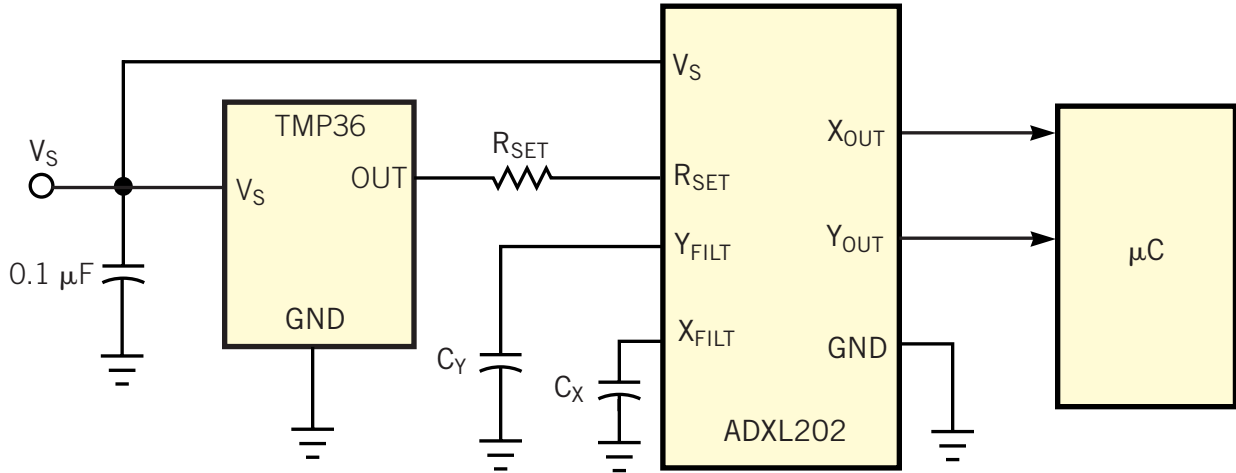
T=-20°C PERIOD=1340 μSEC



T=10°C PERIOD=1830 μSEC



T=40°C PERIOD=2940 μSEC



NOTES:

$R_{SET}=127k$.

PWM OUTPUT=60% IN ALL CASES SHOWN.

An accelerometer can do double duty, by supplying both acceleration and temperature information.