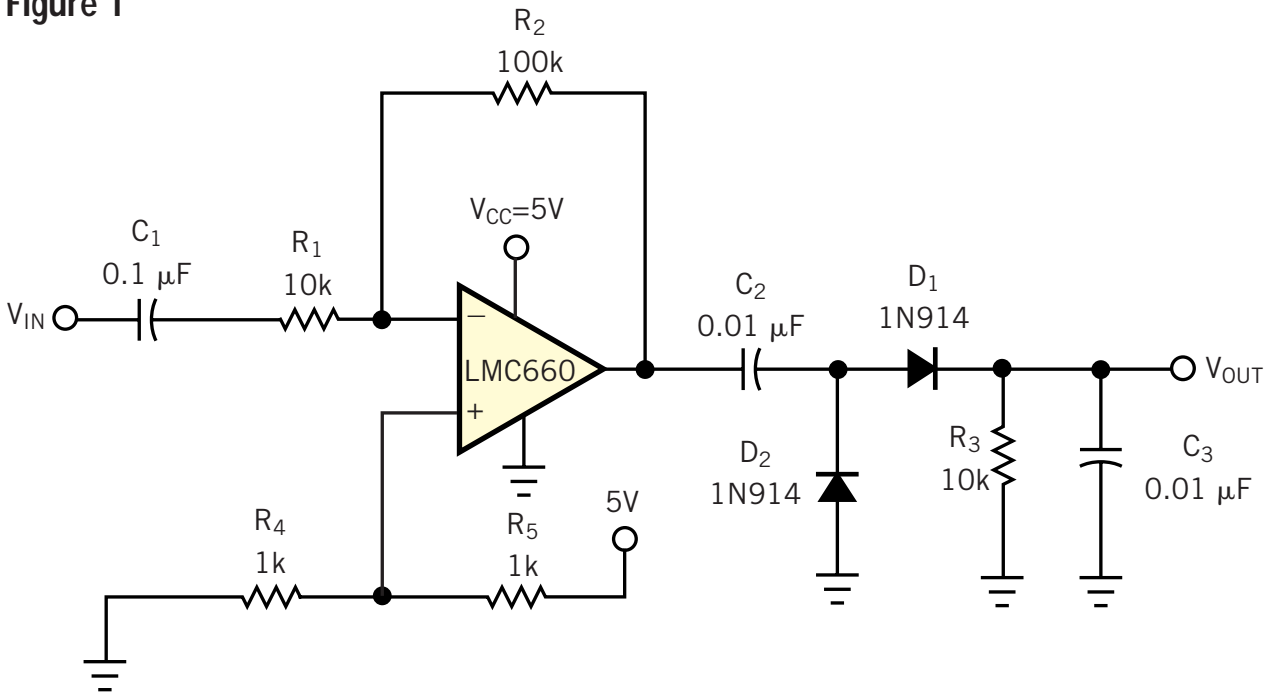
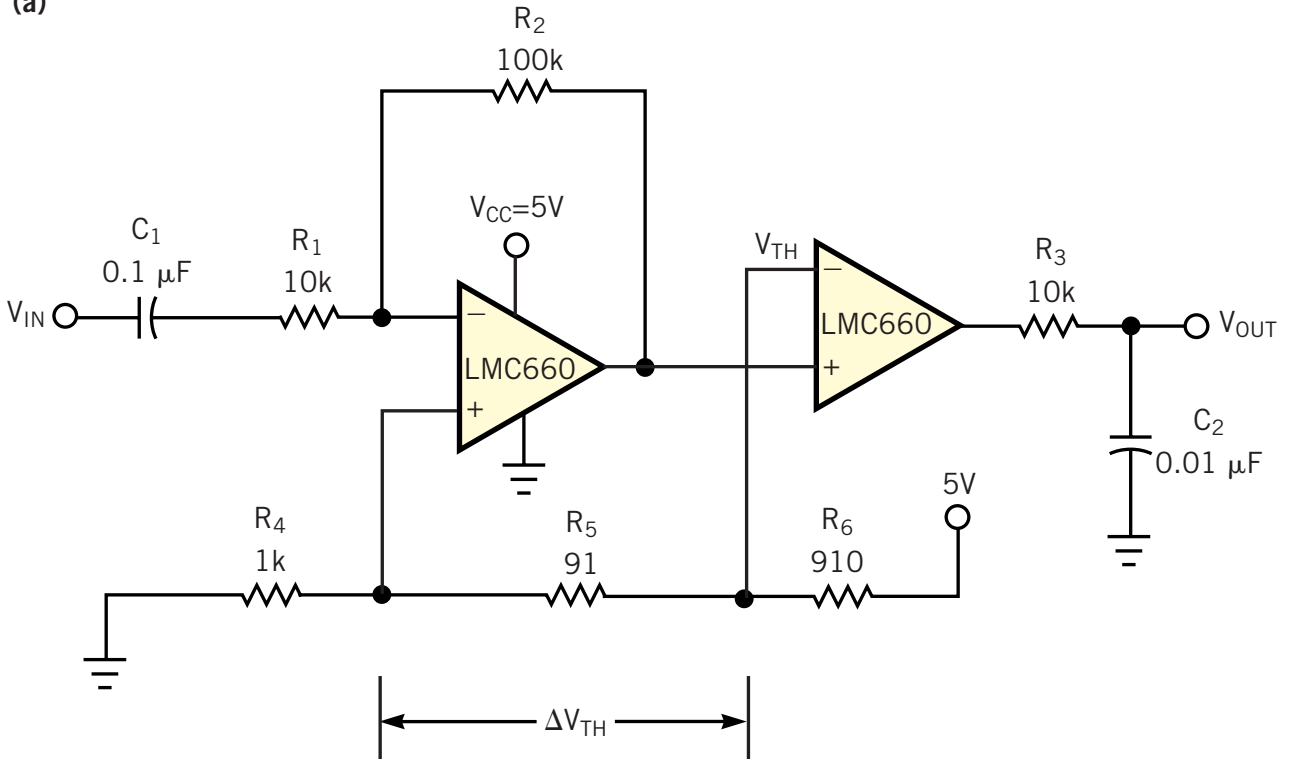


Figure 1



(a)



(b)

The passive, diode-based approach to pulse demodulation (a) provides a lower sensitivity than the active approach (b).