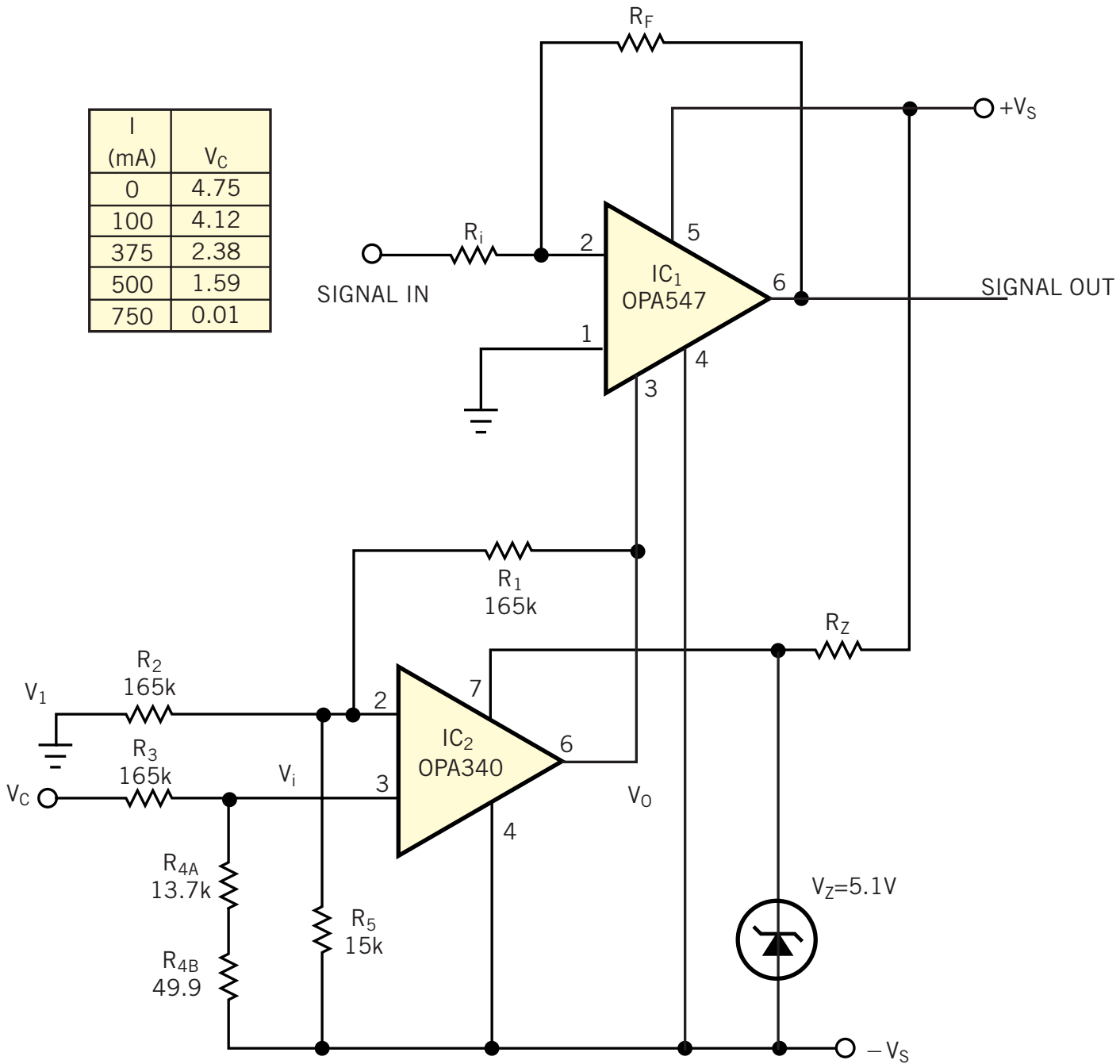


Figure 1

| I (mA) | V_C |
|-----------|-------|
| 0 | 4.75 |
| 100 | 4.12 |
| 375 | 2.38 |
| 500 | 1.59 |
| 750 | 0.01 |



You can use a difference amplifier with wide common-mode range to control a power amplifier's current limit.