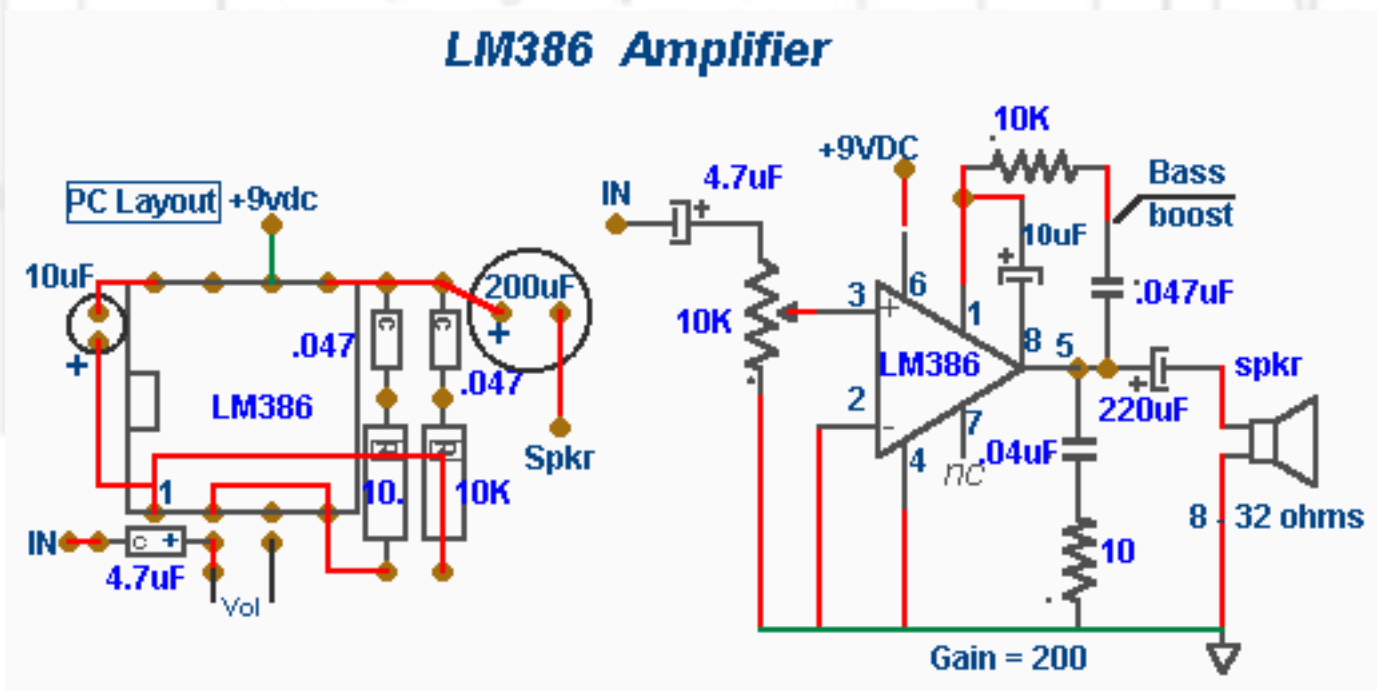




# Handy Dandy #10 Little Circuits

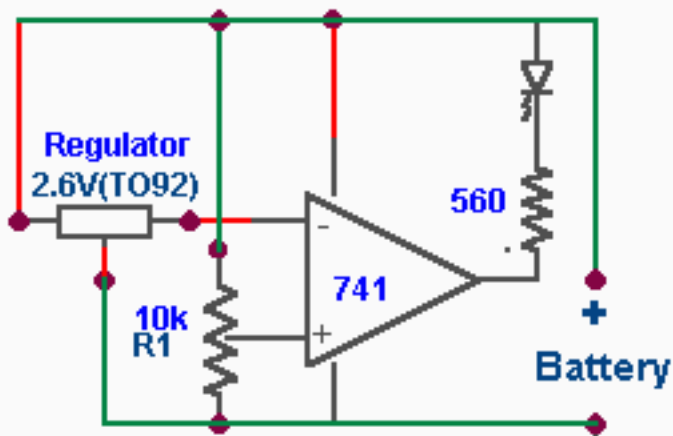
## The LM386 Low Power Amplifier

A most useful IC, easy to use as a headphone amplifier or with a speaker. It has a gain of 200 max with bass boost as shown. To adjust the overall gain insert a resistance up to 10k in series between the 10uF and pin #8. For a minimum gain of 20 remove the 10uF cap. between pin #1 and pin #8. The .047uF cap and the 10K ohms resistor between pin #5 and pin #1 are used to boost the bass frequencies and are optional.

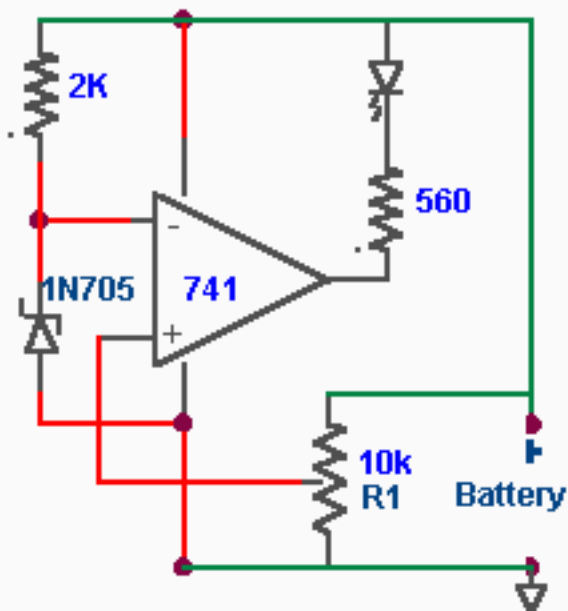


Two small Handy Dandy circuits to monitor your batteries fading voltage supply.

### Battery Low Voltage Monitor



Current in monitor mode = 3.4mA  
Current with LED ON = 10 mA  
Calibration = Apply minimum voltage to be detected at Battery connections adjust R1 for the LED just turns on. when increasing voltage LED turns off



[Back to page 19](#)

[Back to SCR](#)

[Home](#)

Questions? Email me at [roma60@home.com](mailto:roma60@home.com)

© Laurier Gendron, Burnaby, B.C., Canada. 1998