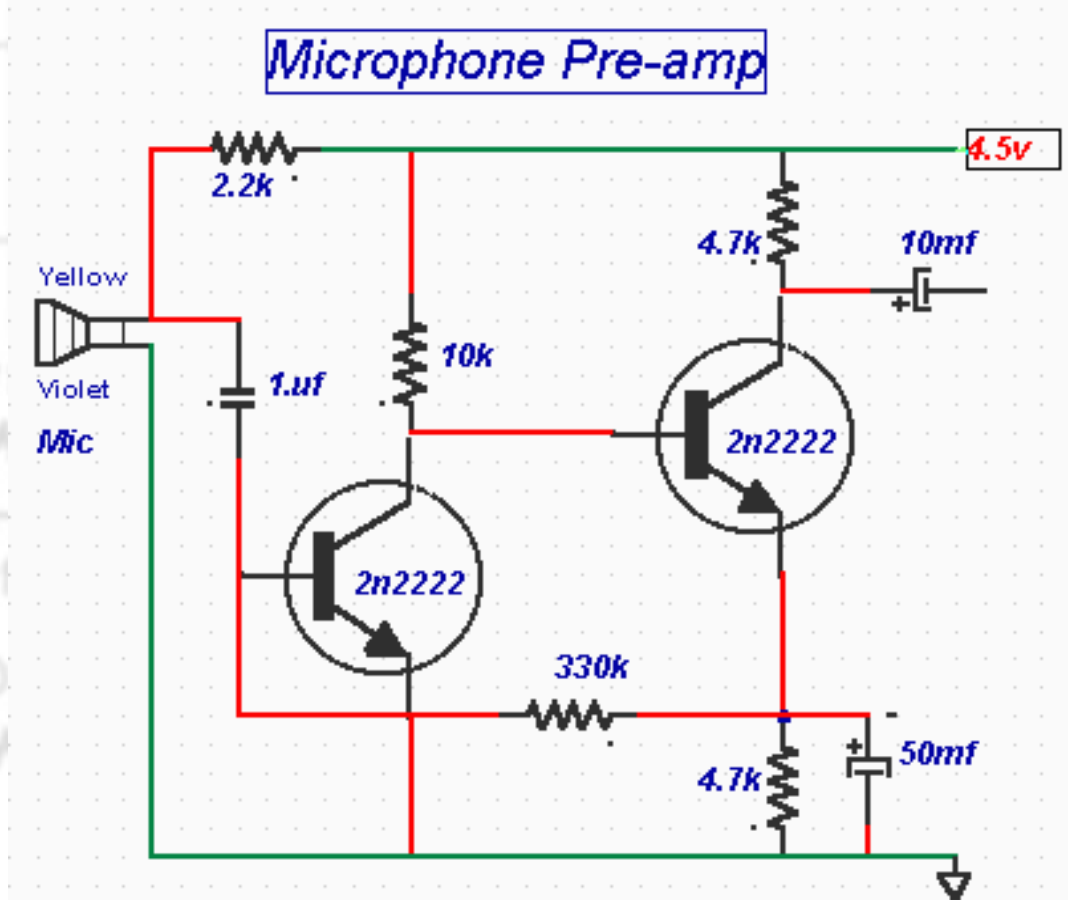


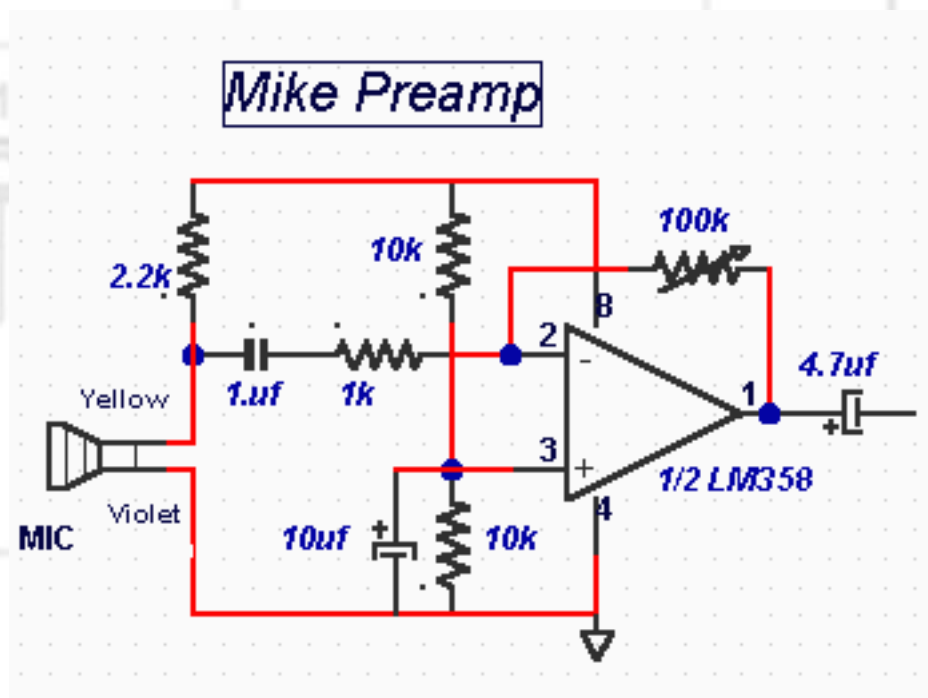


Handy Dandy #2 Little Circuits

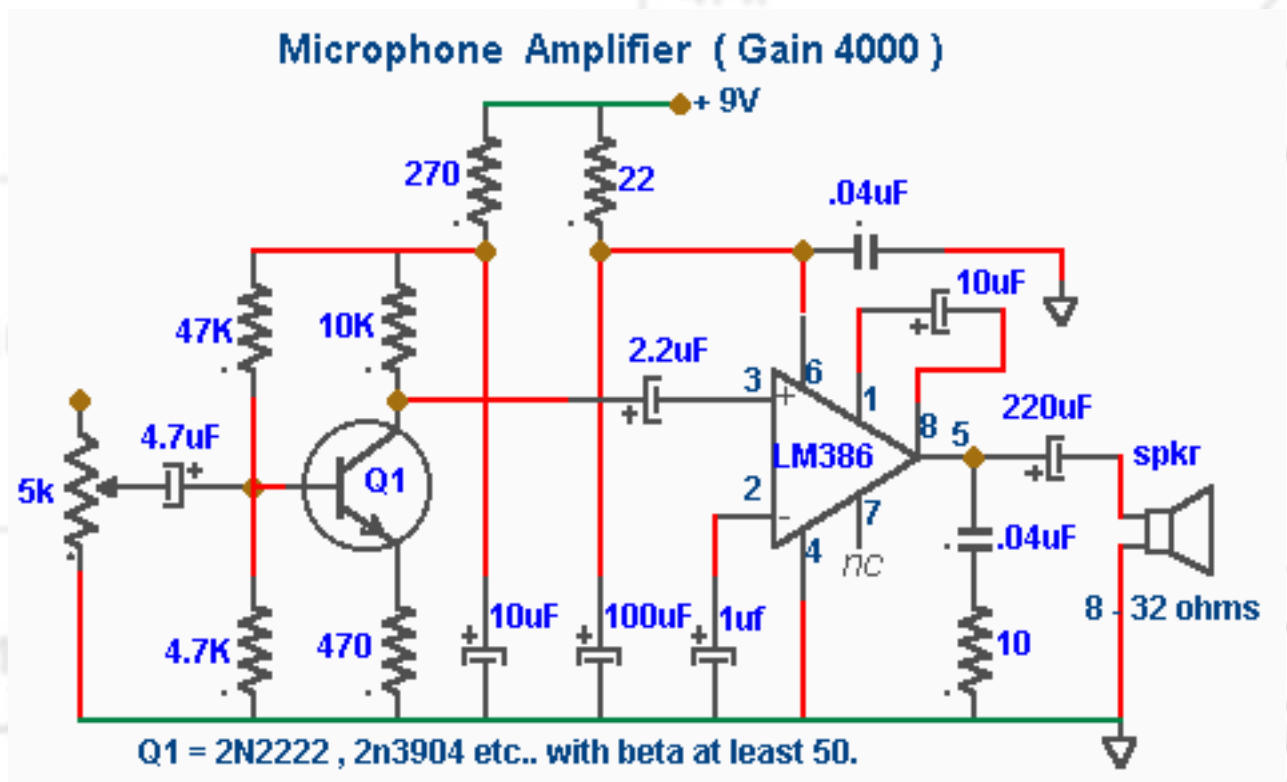
Want to use a small Microphone preamp with low voltage supply? Just three "AAA" cells give you more current and lasts longer than a 9v Batt.



This an easy-to-assemble circuit with an LM 158/358 or other better op-amp of your choice with a wide gain adjustment for your need. Use a 9v Batt. supply. You must take care to adjust the gain so as not to distort the output. The microphone used is a Mini-Condenser Mike Element from Radio Shack ARCHER No 270-085.



The circuit below is a complete circuit for use as a powerful microphone amplifier with a gain of up to 4000.



[Home](#)

Questions? Email me at roma60@home.com