

PRODUCT SPECIFICATIONS

ProtectIR 4000B

Thermal Imaging Solutions

NIGHTSIGHT PROTECTIR

NIGHTSIGHT 4000B TAKES YOU BEYOND THE LIMITATIONS OF YOUR EYE SIGHT:

The NightSight ProtectIR 4000B is the next Thermal Imaging Solution offered by Raytheon for the law enforcement, security and surveillance markets. As the successor to Raytheon's Series 200, the 4000B combines an infrared video camera with a pan and tilt positioning platform. The camera and positioning platform are operated via a cabled joystick controller, allowing the operator to point the camera as needed. The infrared video image is displayed on any TV monitor that may be supplied by Raytheon or its customers, with pan position feedback displayed in the video signal. The system is internally and externally designed to withstand the rigors of mobile and land-based outdoor environments. The base unit architecture is designed to allow future optional feature upgrades such as video recording capability and programmed scans.



ProtectIR 4000B Camera



SEE THE UNSEEN

Raytheon
INFRARED™

Specifications and design Subject to change without notice.

SEE THE UNSEEN

RAYTHEON COMMERCIAL INFRARED

OPTICS:

Optics	f/1.0
Depth of Field	7.6 meters to infinity (25 ft. to infinity)
Field of View	12° x 9°

VIDEO:

Contrast/Brightness Control	Automatic
Infrared Polarity	White-Hot
Video Output	NTSC

PHYSICAL:

Pan/Tilt Camera Dimensions Pan/Tilt	W-280mm, H-290mm, D-282mm (W-11", H -11.4", D-11.1")
Camera Weight	4.5 kg (10 lbs)

PERFORMANCE:

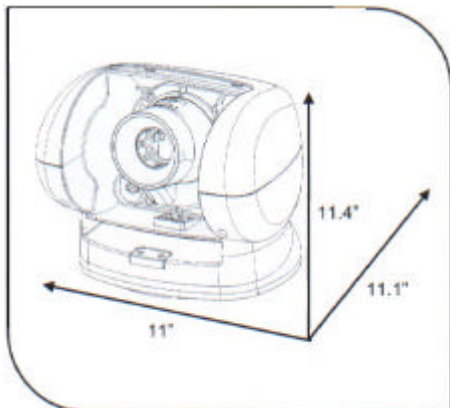
Cold Start to IR video image	60 seconds (typical)	(1500 ft.)
Detector Range	Detects a person up to 450 meters	
Image Resolution	160 X 120 pixels	
Operating Voltage	9.5 to 16 Vdc (12 Vdc nominal)	
Pan Function	Joystick controlled 360° continuous	horizontal
Tilt Function	Joystick controlled, -20°/+180° from	
Operating Interfaces (from Joystick)	ON/OFF, Pan/Tilt Control	
Pan Position Feedback	Graphic Indication on Monitor	
Operating Temperature	-40° to 55° C (-40° to 131° F)	

OPTIONAL EQUIPMENT;

Roof Bar Assembly Dimensions	H-82.5mm, D-228mm, (H-3.25", D-9" W-adjustable to vehicle)
------------------------------	---

Weight	5kg. (11 lbs.)
--------	----------------

ACCURATE LOCATORS, Inc.
1383 2nd Avenue
GOLD HILL OR 97525
(541) 855-1590



SEE THE UNSEEN

Raytheon

INFRARED™

© NightSight and the Infrared branding mark are trademarks of Raytheon. ISO 9001