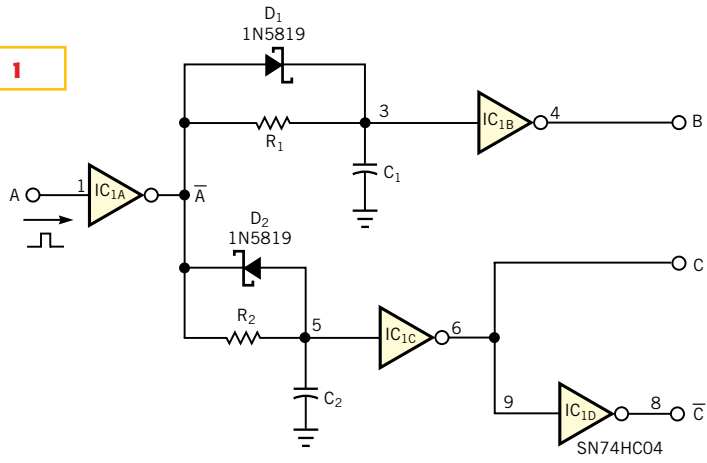


Figure 1



This circuit provides drive for complementary switches with programmable deadtimes.