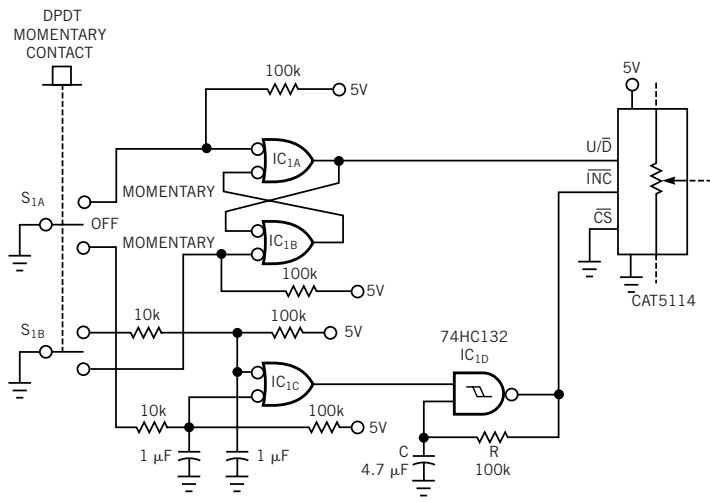


Figure 1



A single switch is all you need to control a digitally programmable potentiometer.