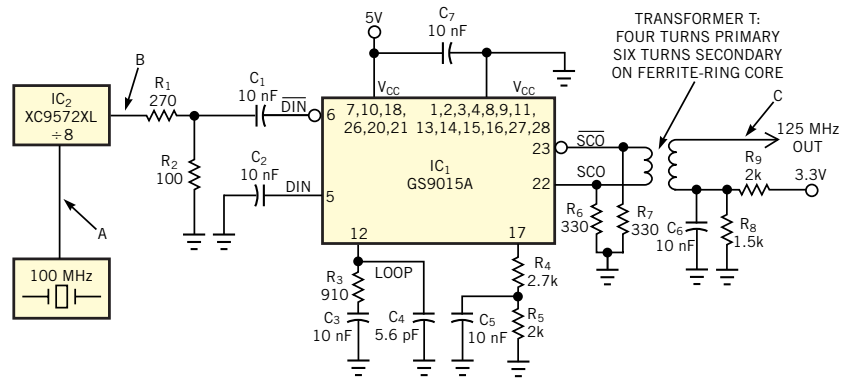


Figure 1



Using this simple circuit, you can easily and cheaply multiply high-frequency clock signals.