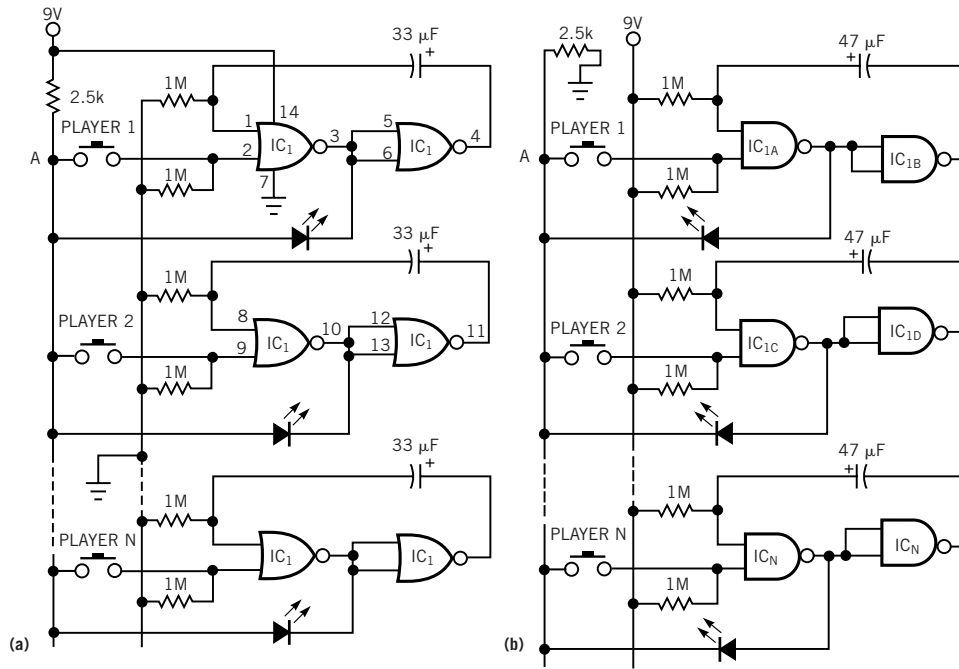


Figure 1



Monostable multivibrators and LEDs form the heart of these first-event detectors with autoreset.