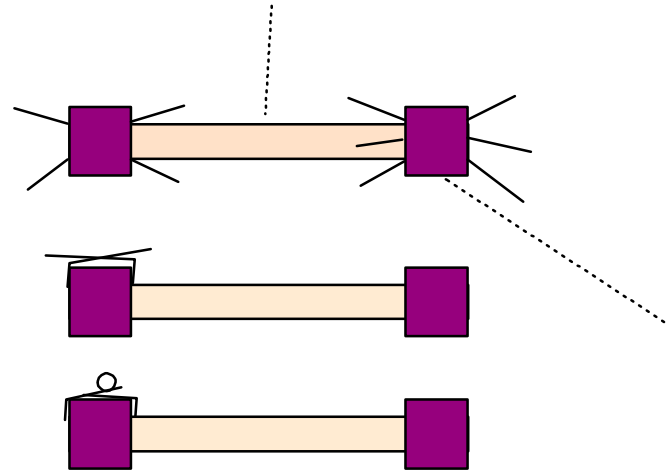
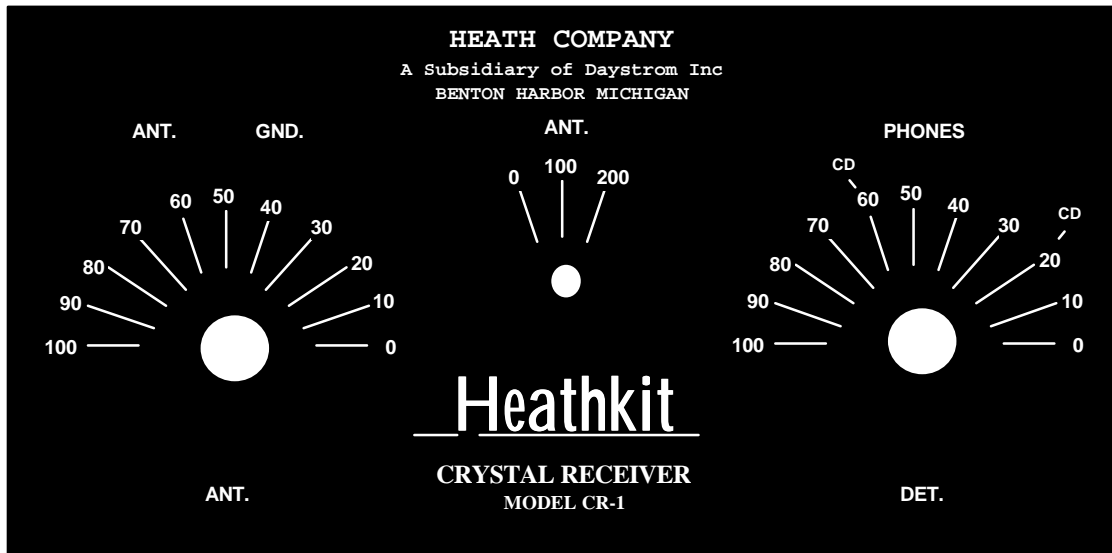
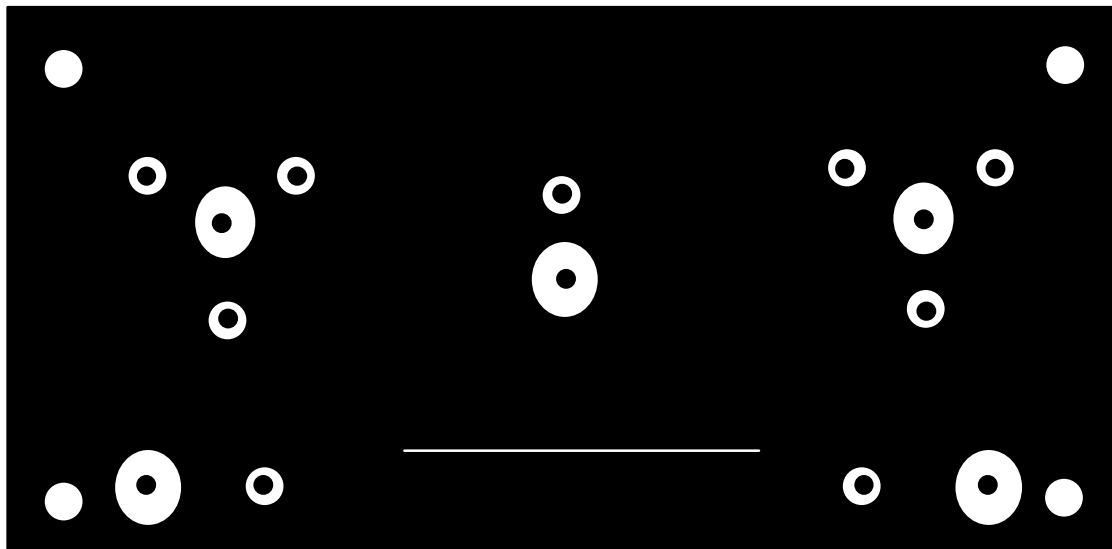


Cut out the coil form paper
Roll paper on a 1/4" rod using elmers glue
(use plenty of glue. You want the paper wet with glue starting with the very first layer)
Pull form off of the rod to dry for a few hours.
Cut 5 pieces of #20 bare wire 2" long
Cut out brown paper strips for terminal ends.
Put glue on end of brown paper and start winding it around one end of the coil form. Use lots of glue.
After you have one layer wrapped, place the middle of a 2" piece of wire over the brown paper and wrap one more layer.
Place a second piece of wire on the other side of the first wire and continue to wrap the remainder of the paper.
Do the same thing on the other end of the coil form only this time you want to put 3 pieces of wire.
Let dry for a few hours.
Fold the wire into the shape of a terminal and solder.
Do all 5 of the wires.
The end that has 3 terminals will be for the detector coil.
The center tap will be soldered to the middle terminal and each end of the coil will go to the 2 remaining terminals.



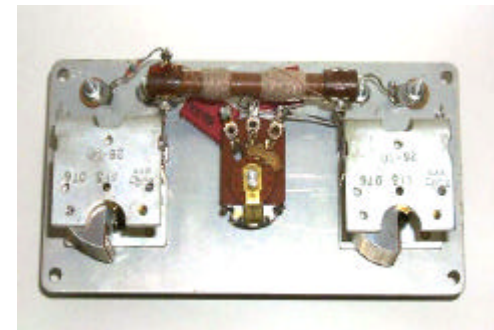


Front panel

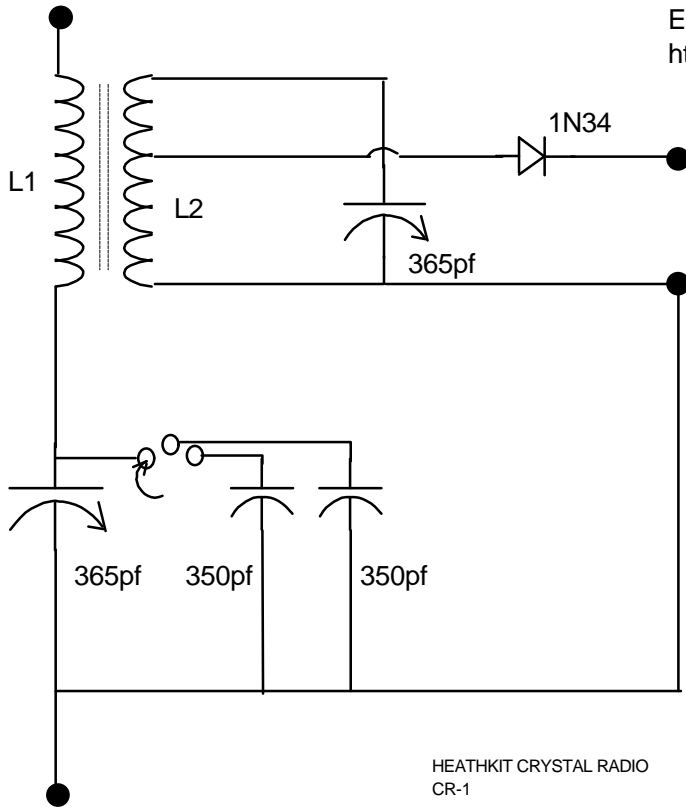


Hole Template

Plans by Fran Golden
 Enfield, CT
<http://ohmslaw.com>

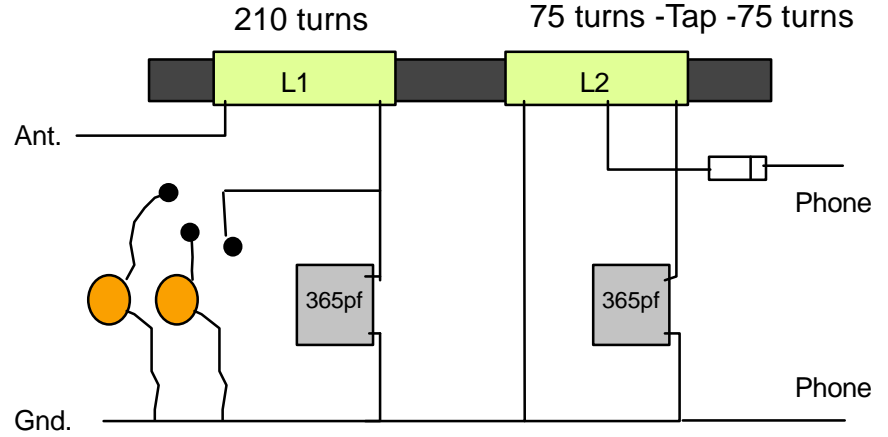


Plans by Fran Golden
 Enfield,CT
<http://ohmslaw.com>



7 sections of 30
 turns each

2 sections of 30 turns
 15 turns,tap,15 turns
 2 sections of 30 turns
 (See below)
 75 turns -Tap -75 turns



Coil details

2 sections of 30 turns
 1 section of 15 turns,tap,15 turns
 2 sections of 30 turns

