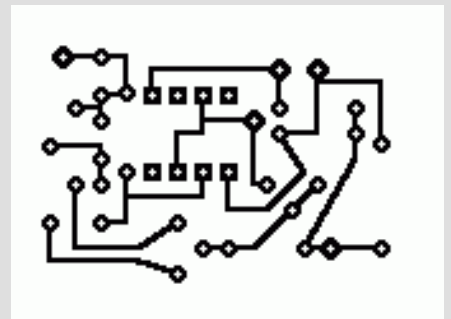
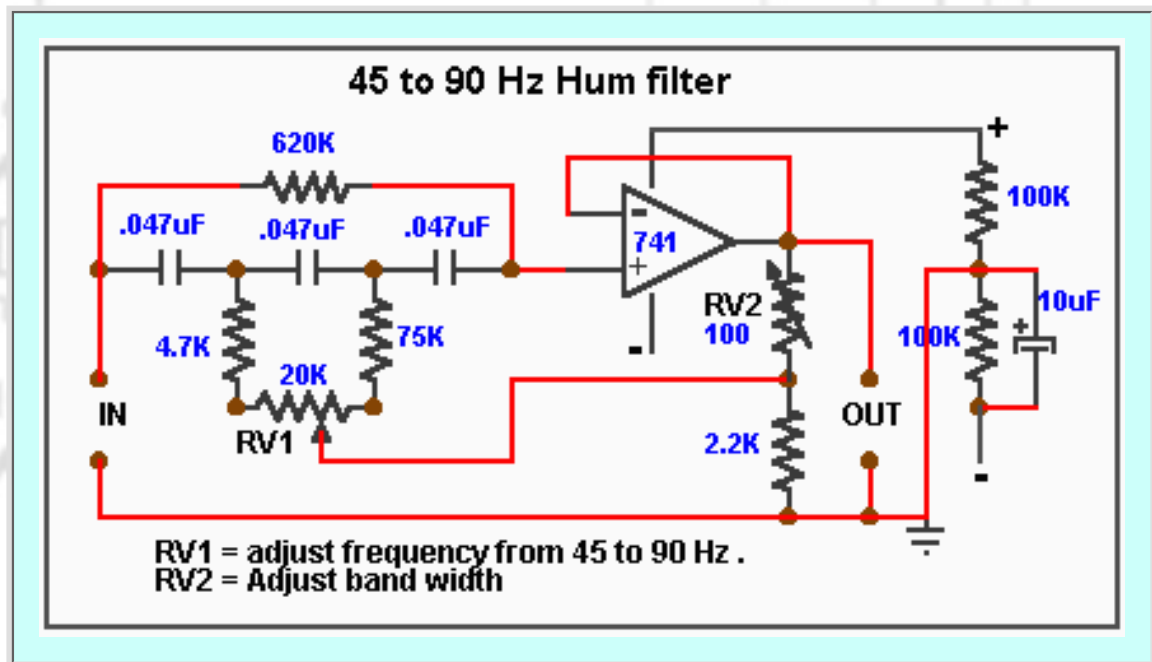


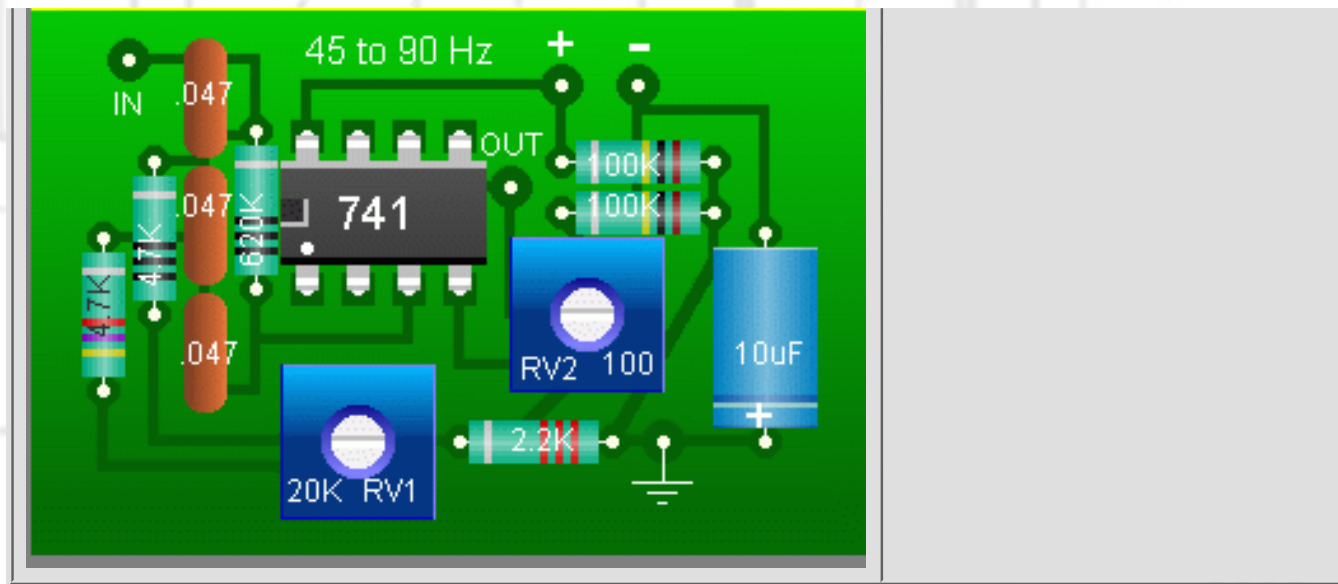


Handy Dandy #9 Little Circuits

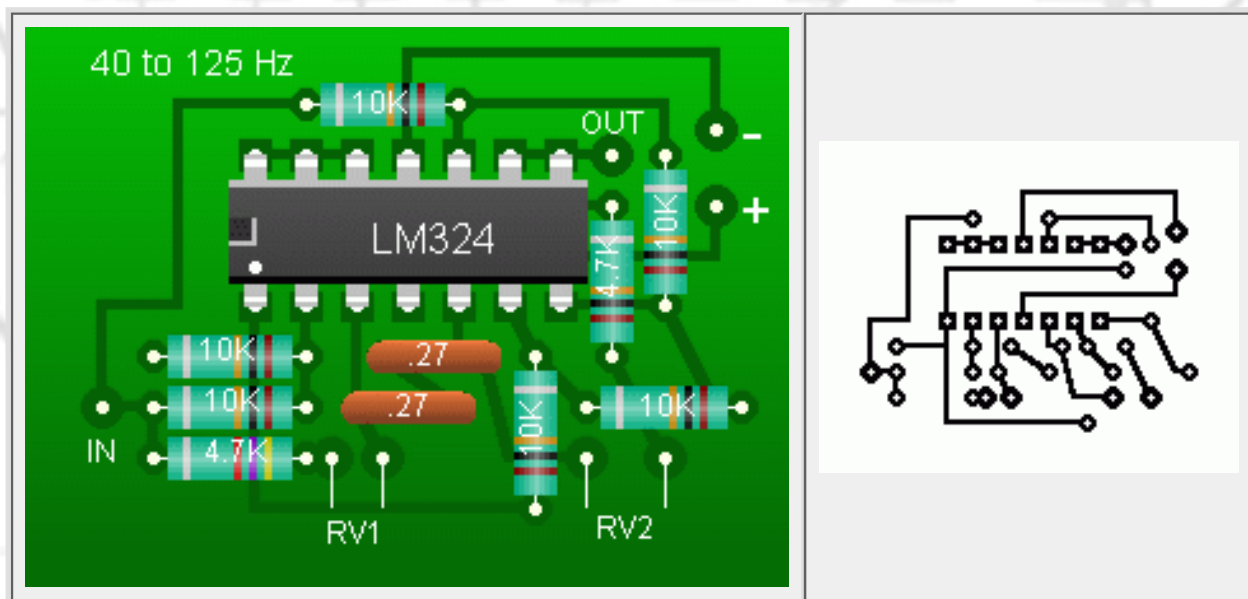
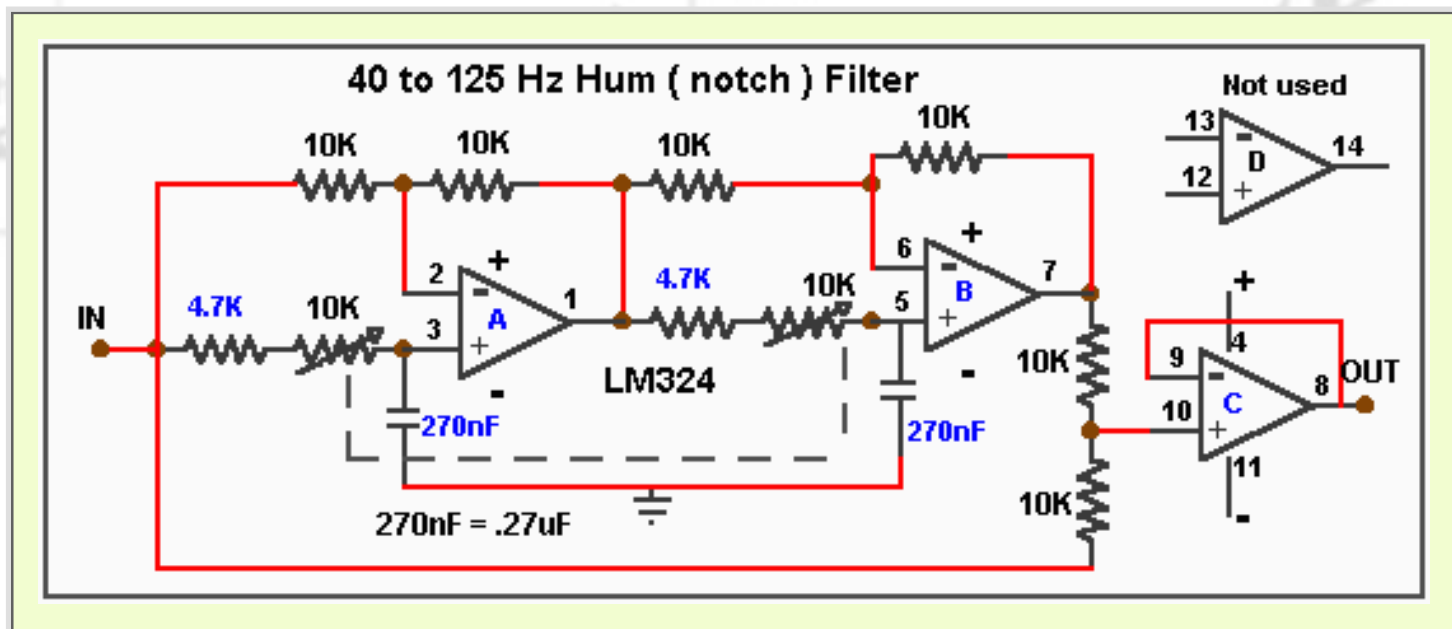
[Download # 9 in PDF](#)

● On this page three adjustable notch filters configurations are shown . They can be used in your small pre-amp or amplifier project to filter out any HUM at 50 Hz (European) or 60Hz . By substituting the capacitors values in the bridge other frequencies can be used . All op-amps configuration requires a +/- voltage supply which can easily provided with a voltage divider made of two 100K resistors and a 10 uF filtering capacitor connected from ground to the negative rail . Any op-amps such as the LF353 , TL071, LM308 can be used and supply from a 9 volt battery or other voltage up to 30 volts can be used .

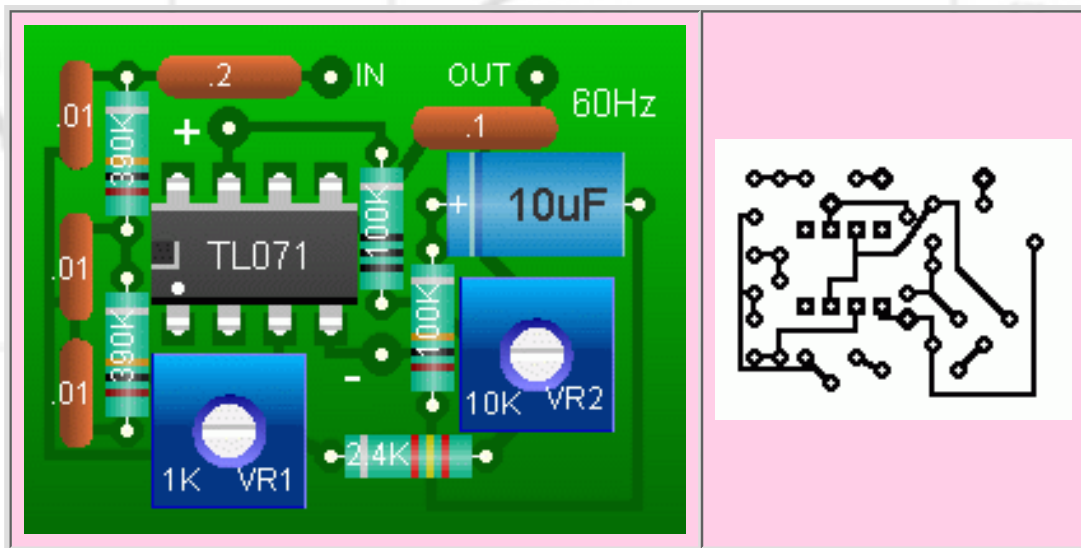
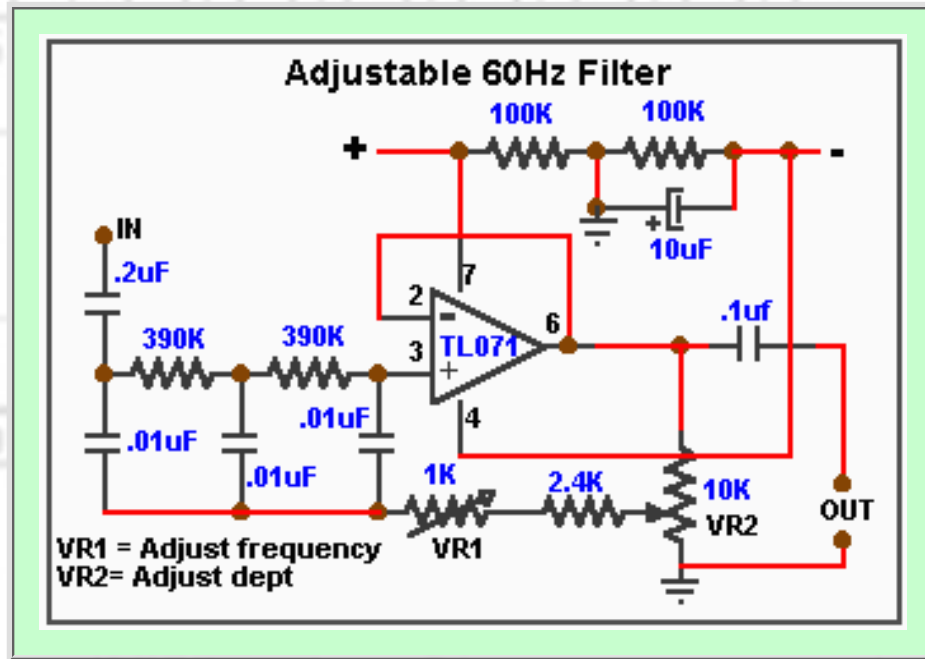




- The next one has wider frequency adjustment range but requires two ganged potentiometers . the circuit can be inserted anywhere before the power amplifier.



The filter below is designed for 60Hz with adjustments for frequency and dept . Please note the voltage divider used for ground configuration .



[Home](#)

Questions? Email me at roma60@home.com