



VB927 VB927FI

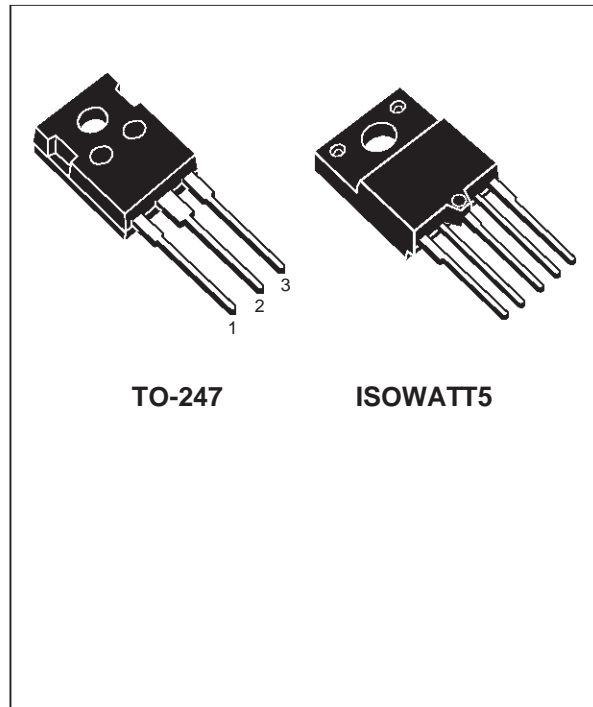
HIGH VOLTAGE IGNITION COIL DRIVER POWER IC

- NO EXTERNAL COMPONENT REQUIRED
- INTEGRATED HIGH VOLTAGE CLAMP
- COIL CURRENT LIMIT INTERNALLY SET
- HIGH RUGGEDNESS

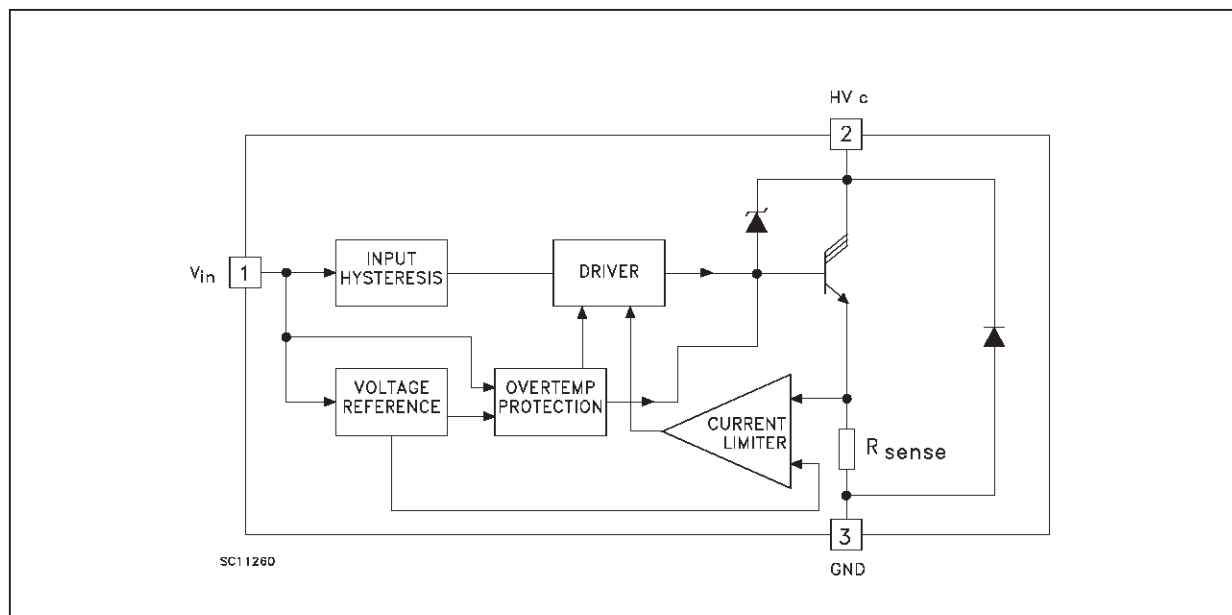
DESCRIPTION

The VB927 is a monolithic high voltage integrated circuit made using STM VIpower Technology, which combines a vertical current flow power triline with a coil current limiting circuit and a collector voltage clamping.

The device is peculiarly suitable for application in high performance electronic car ignition, where coil current limitation and voltage clamping are required.



BLOCK DIAGRAM



ABSOLUTE MAXIMUM RATING

Symbol	Parameter	Value		Unit
		VB927	VB927FI	
HV _c	Collector Voltage	Internally Limited		V
V _{in}	Maximum Input Voltage	15		V
I _c	Collector Current	Internally Limited		A
I _{in}	Input Current	Internally Limited		mA
P _{tot}	Total Dissipation at T _c = 25 °C	150	70	W
T _{stg}	Storage Temperature	-40 to 150		°C
T _j	Operating Junction Temperature	-40 to 150		°C

THERMAL DATA

			TO-247	ISOWATT5	Unit
R _{thj-case}	Thermal Resistance Junction-case	Max	0.6	2	°C/W
R _{thj-amb}	Thermal Resistance Junction-ambient	Max	30		°C/W

ELECTRICAL CHARACTERISTICS (V_{batt} = 14 V, -40 < T_j < 125 °C unless otherwise specified)

Symbol	Parameter	Test Conditions	Min.	Typ.	Max.	Unit
I _{leak}	Collector Cut-off Current	V _{in} = 0 HV _c = 250 V			250	µA
V _{cl} *	Clamping Voltage	-40 < T _j < 125 °C	380	420	490	V
V _{cg(sat)}	Power Stage Saturation Voltage	I _c = 5 A I _{in} = 10mA 25 ≤ T _j ≤ 125 °C I _c = 6 A I _{in} = 10mA -40 ≤ T _j ≤ 25 °C			2.5 3	V V
I _{cl} *	Coil Current Limit	V _{in} = 5 V -40 ≤ T _j ≤ 125 °C	8.5		9.5	A
I _{in}	Input Current	V _{in} = 5 V I _c = 5 A V _{in} = 5 V I _c = 5 A T _j = 25 °C	3		10 10	mA mA
V _f **	Diode Forward Voltage	I _f = 10 A T _j = 25 °C	1.2	2.2	3.2	V
V _{in(h)}	Input Voltage (ON)	On state input threshold	3.2		3.6	V
V _{in(l)}	Input Voltage (OFF)	Off state input threshold	3		3.4	V
V _{n(hyst)}	Input Voltage (Hyst.)		0.2		0.6	V
t _{d(off)}	Turn-off Time	I _c = 5 A		30		µs
T _j	Junction Temperature Limit	See note 1	150			°C

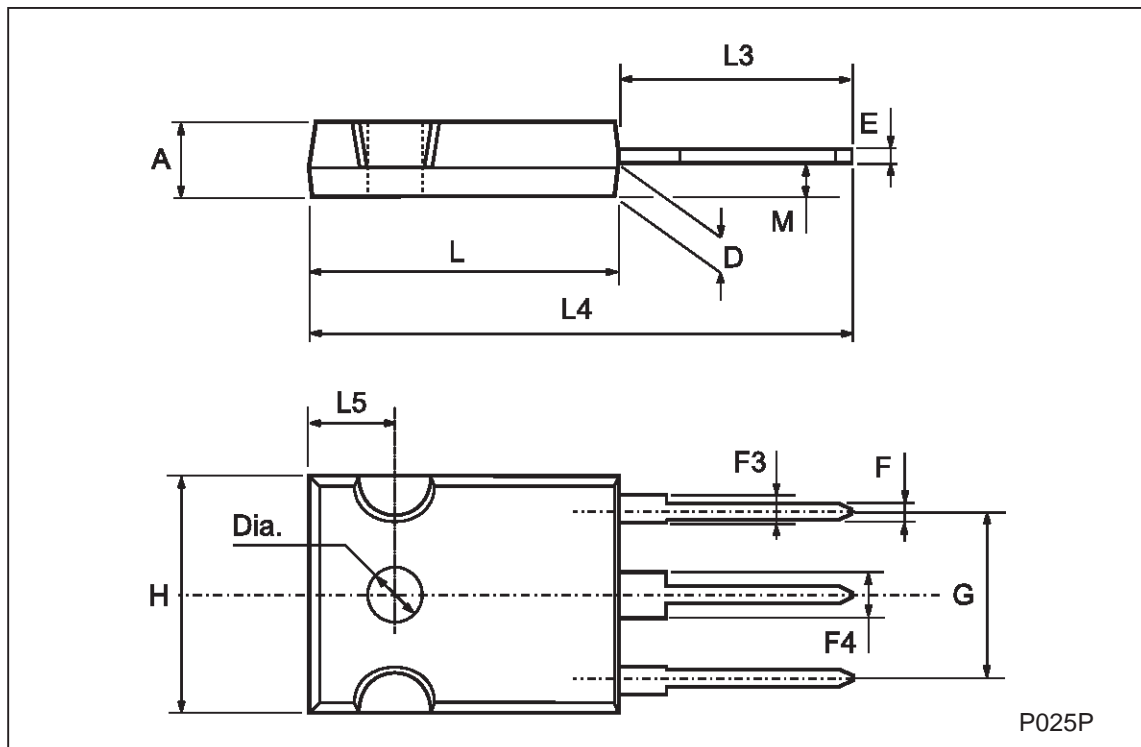
* Coil data: primary resistance R_c = 0.4 - 0.8 Ω, primary inductance L_c = 6 - 8 mH

** Pulsed: Pulse duration = 300 µs, duty cycle 1.5 %

Note 1 : T_j min = 150 °C means that the behaviour of the device will not be affected for junction temperature lower than 150 °C . For higher temperature, the thermal protection circuit will begin its action reducing the I_{cl} limit according with the power dissipation. Chip temperature is a function of the R_{th} of the whole system in which the device with be operating.

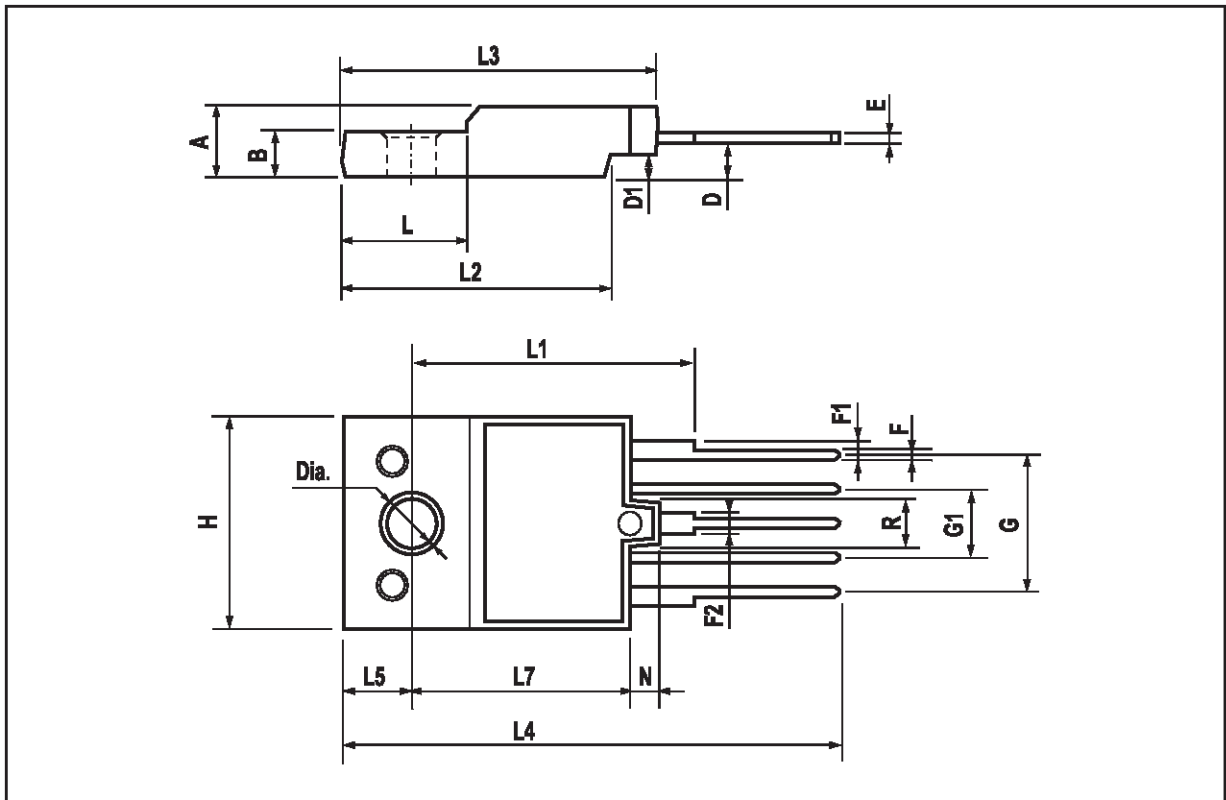
TO-247 MECHANICAL DATA

DIM.	mm			inch		
	MIN.	TYP.	MAX.	MIN.	TYP.	MAX.
A	4.7		5.3	0.185		0.209
D	2.2		2.6	0.087		0.102
E	0.4		0.8	0.016		0.031
F	1		1.4	0.039		0.055
F3	2		2.4	0.079		0.094
F4	3		3.4	0.118		0.134
G		10.9			0.429	
H	15.3		15.9	0.602		0.626
L	19.7		20.3	0.776		0.779
L3	14.2		14.8	0.559	0.413	0.582
L4		34.6			1.362	
L5		5.5			0.217	
M	2		3	0.079		0.118
Dia	3.55		3.65	0.140		0.144



ISOWATT5 MECHANICAL DATA

DIM.	mm			inch		
	MIN.	TYP.	MAX.	MIN.	TYP.	MAX.
A	5.35		5.65	0.210		0.222
B	3.3		3.8	0.130		0.149
D	2.95		3.1	0.116		0.122
D1	1.88		2.08	0.074		0.081
E	0.45		1	0.017		0.039
F	0.75		1	0.029		0.039
F1		1.5			0.059	
F2		1.3			0.051	
G		10.16			0.400	
G1		5.08			0.200	
H	15.8		16.2	0.622		0.637
L		9			0.354	
L1	20.25		20.75	0.797		0.817
L2	19.10		19.9	0.751		0.783
L3	22.8		23.6	0.897		0.929
L4	34.9		36.9	1.374		1.452
L5	4.85		5.25	0.190		0.206
L7		16			0.630	
N	2.1		2.3	0.082		0.090
R		3.1			0.122	
	3.5		3.7	0.138		0.145



Information furnished is believed to be accurate and reliable. However, STMicroelectronics assumes no responsibility for the consequences of use of such information nor for any infringement of patents or other rights of third parties which may result from its use. No license is granted by implication or otherwise under any patent or patent rights of STMicroelectronics. Specification mentioned in this publication are subject to change without notice. This publication supersedes and replaces all information previously supplied. STMicroelectronics products are not authorized for use as critical components in life support devices or systems without express written approval of STMicroelectronics.

The ST logo is a trademark of STMicroelectronics

© 1998 STMicroelectronics – Printed in Italy – All Rights Reserved
STMicroelectronics GROUP OF COMPANIES

Australia - Brazil - Canada - China - France - Germany - Italy - Japan - Korea - Malaysia - Malta - Mexico - Morocco - The Netherlands -
Singapore - Spain - Sweden - Switzerland - Taiwan - Thailand - United Kingdom - U.S.A.