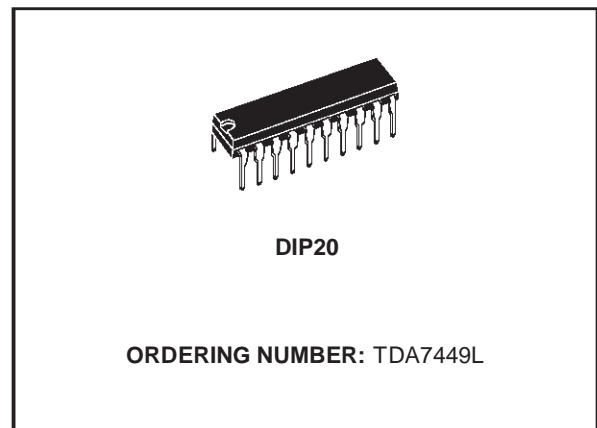




TDA7449L

LOW COST DIGITALLY CONTROLLED AUDIO PROCESSOR

- INPUT MULTIPLEXER
 - 2 STEREO INPUTS
 - SELECTABLE INPUT GAIN FOR OPTIMAL ADAPTATION TO DIFFERENT SOURCES
- ONE STEREO OUTPUT
- VOLUME CONTROL IN 1.0dB STEPS
- TWO SPEAKER ATTENUATORS:
 - TWO INDEPENDENT SPEAKER CONTROL IN 1.0dB STEPS FOR BALANCE FACILITY
 - INDEPENDENT MUTE FUNCTION
- ALL FUNCTION ARE PROGRAMMABLE VIA SERIAL BUS



DESCRIPTION

The TDA7449L is a volume control and balance (Left/Right) processor for quality audio applications in TV systems.

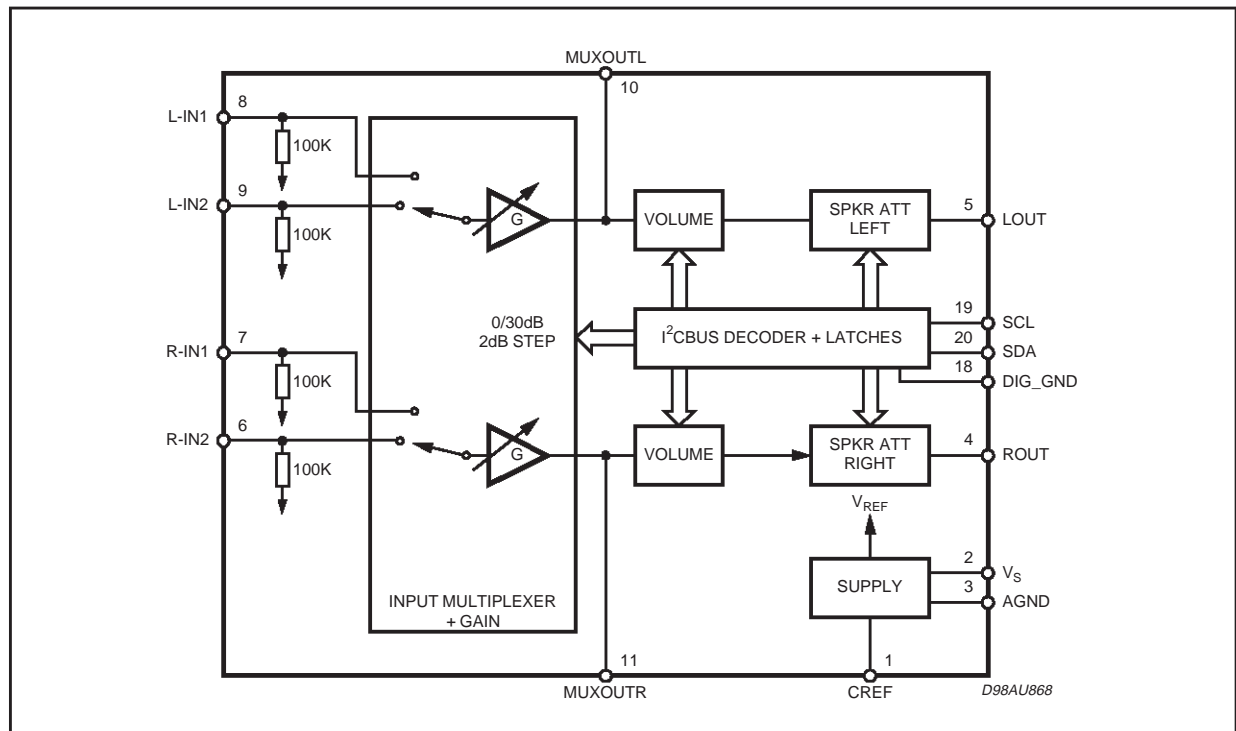
Selectable input gain is provided. Control of all the functions is accomplished by serial bus.

The AC signal setting is obtained by resistor net-

works and switches combined with operational amplifiers.

Thanks to the used BIPOLAR/CMOS Technology, Low Distortion, Low Noise and DC stepping are obtained.

BLOCK DIAGRAM

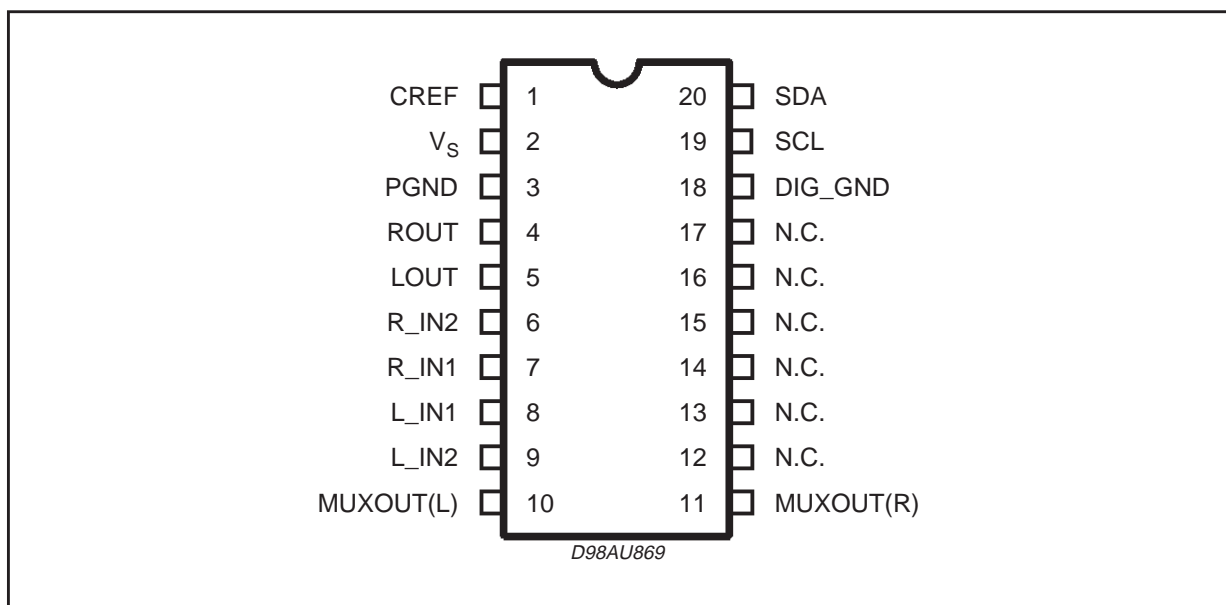


TDA7449L

ABSOLUTE MAXIMUM RATINGS

Symbol	Parameter	Value	Unit
V_S	Operating Supply Voltage	10.5	V
T_{amb}	Operating Ambient Temperature	-10 to 85	°C
T_{stg}	Storage Temperature Range	-55 to 150	°C

PIN CONNECTION



THERMAL DATA

Symbol	Parameter	Value	Unit
$R_{th j-pin}$	Thermal Resistance Junction-pins	150	°C/W

QUICK REFERENCE DATA

Symbol	Parameter	Min.	Typ.	Max.	Unit
V_S	Supply Voltage	6	9	10.2	V
V_{CL}	Max. input signal handling	2			V _{rms}
THD	Total Harmonic Distortion $V = 1V_{rms}$ $f = 1KHz$		0.01	0.1	%
S/N	Signal to Noise Ratio $V_{out} = 1V_{rms}$ (mode = OFF)		106		dB
S_C	Channel Separation $f = 1KHz$		90		dB
	Input Gain in (2dB step)	0		30	dB
	Volume Control (1dB step)	-47		0	dB
	Balance Control 1dB step	-79		0	dB
	Mute Attenuation		100		dB

ELECTRICAL CHARACTERISTICS (refer to the test circuit $T_{amb} = 25^{\circ}\text{C}$, $V_S = 9\text{V}$, $R_L = 10\text{K}\Omega$, $R_G = 600\Omega$, all controls flat ($G = 0\text{dB}$), unless otherwise specified)

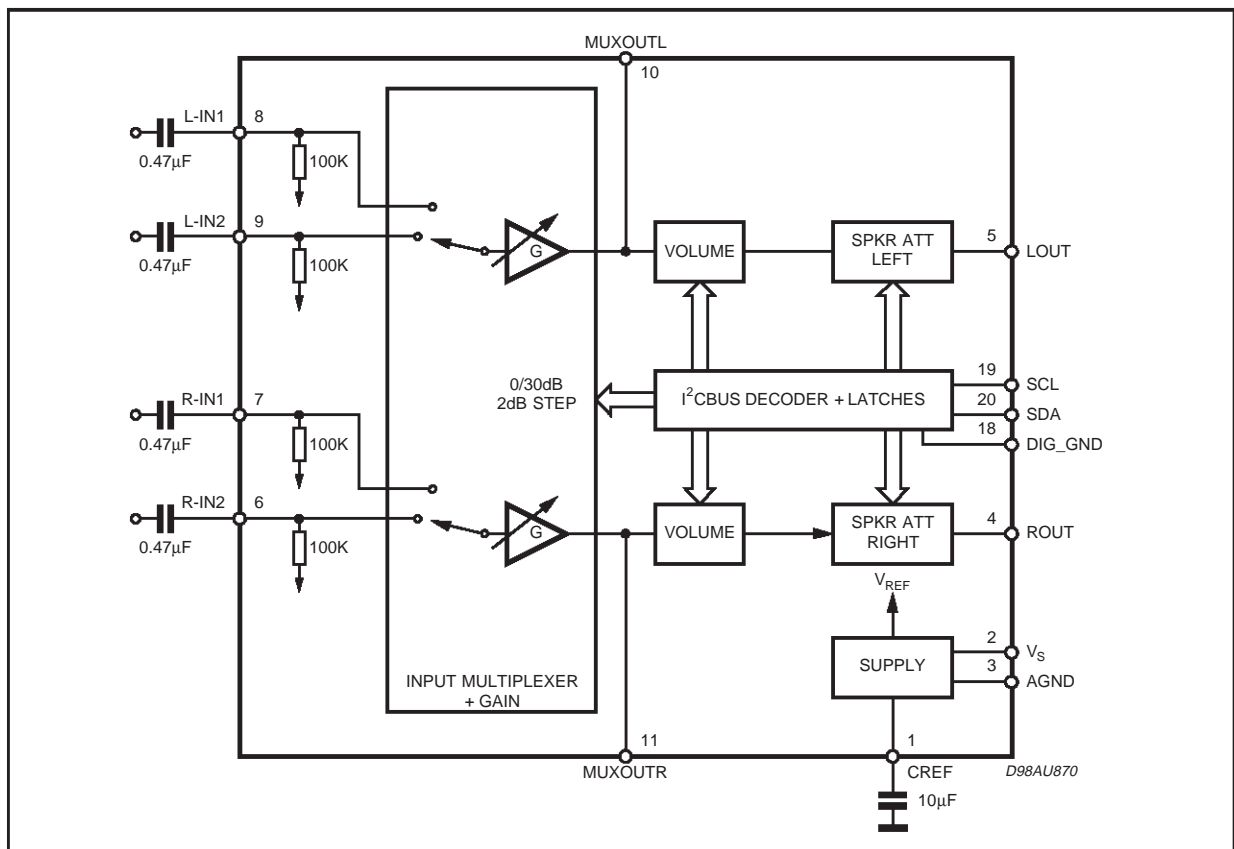
Symbol	Parameter	Test Condition	Min.	Typ.	Max.	Unit
SUPPLY						
V_S	Supply Voltage		6	9	10.2	V
I_S	Supply Current			7		mA
SVR	Ripple Rejection		60	90		dB
INPUT STAGE						
R_{IN}	Input Resistance			100		$\text{K}\Omega$
V_{CL}	Clipping Level	THD = 0.3%	2	2.5		V _{rms}
S_{IN}	Input Separation	The selected input is grounded through a 2.2μ capacitor	80	100		dB
G_{inmin}	Minimum Input Gain		-1	0	1	dB
G_{inmax}	Maximum Input Gain			30		dB
G_{step}	Step Resolution			2		dB
VOLUME CONTROL						
C_{RANGE}	Control Range		45	47	49	dB
A_{VMAX}	Max. Attenuation		45	47	49	dB
A_{STEP}	Step Resolution		0.5	1	1.5	dB
E_A	Attenuation Set Error	$A_V = 0$ to -24dB	-1.0	0	1.0	dB
		$A_V = -24$ to -47dB	-1.5	0	1.5	dB
E_T	Tracking Error	$A_V = 0$ to -24dB		0	1	dB
		$A_V = -24$ to -47dB		0	2	dB
V_{DC}	DC Step	adjacent attenuation steps from 0dB to A_V max		0 0.5	3	mV mV
A_{mute}	Mute Attenuation		80	100		dB
SPEAKER ATTENUATORS						
C_{RANGE}	Control Range			76		dB
S_{STEP}	Step Resolution		0.5	1	1.5	dB
E_A	Attenuation Set Error	$A_V = 0$ to -20dB	-1.5	0	1.5	dB
		$A_V = -20$ to -56dB	-2	0	2	dB
V_{DC}	DC Step	adjacent attenuation steps		0	3	mV
A_{mute}	Mute Attenuation		80	100		dB
AUDIO OUTPUTS						
V_{CLIP}	Clipping Level	$d = 0.3\%$	2.1	2.6		V _{RMS}
R_L	Output Load Resistance		2			$\text{K}\Omega$
R_O	Output Impedance		10	30	50	Ω
V_{DC}	DC Voltage Level			3.8		V
GENERAL						
E_{NO}	Output Noise	All gains = 0dB ; BW = 20Hz to 20KHz flat		5	15	μV
E_t	Total Tracking Error	$A_V = 0$ to -24dB		0	1	dB
		$A_V = -24$ to -47dB		0	2	dB
S/N	Signal to Noise Ratio	All gains 0dB ; $V_o = 1\text{V}_{RMS}$;		106		dB
S_C	Channel Separation Left/Right		80	100		dB
d	Distortion	$A_V = 0$; $V_i = 1\text{V}_{RMS}$;		0.01	0.08	%
BUS PUT	IN-					

TDA7449L

ELECTRICAL CHARACTERISTICS (continued.)

Symbol	Parameter	Test Condition	Min.	Typ.	Max.	Unit
BUS INPUT						
V_{IL}	Input Low Voltage				1	V
V_{IH}	Input High Voltage		3			V
I_{IN}	Input Current	$V_{IN} = 0.4V$	-5		5	μA
V_O	Output Voltage SDA Acknowledge	$I_O = 1.6mA$		0.4	0.8	V

TEST CIRCUIT



APPLICATION SUGGESTIONS

The first and the last stages are volume control blocks. The control range is 0 to -47dB (mute) for the first one, 0 to -79dB (mute) for the last one. Both of them have 1dB step resolution. The very high resolution allows the implementation of systems free from any noisy acoustical effect.

The TDA7449L audioprocessor provides 2 bands tones control.

CREF

The suggested 10µF reference capacitor (CREF) value can be reduced to 4.7µF if the application requires faster power ON.

Figure 2: THD vs. frequency

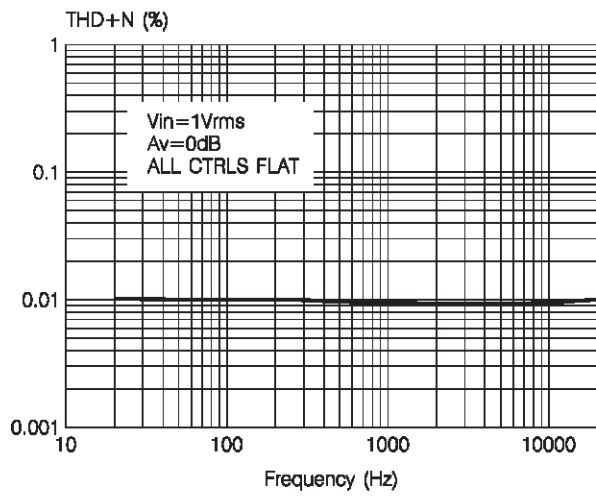


Figure 3: THD vs. R_{LOAD}

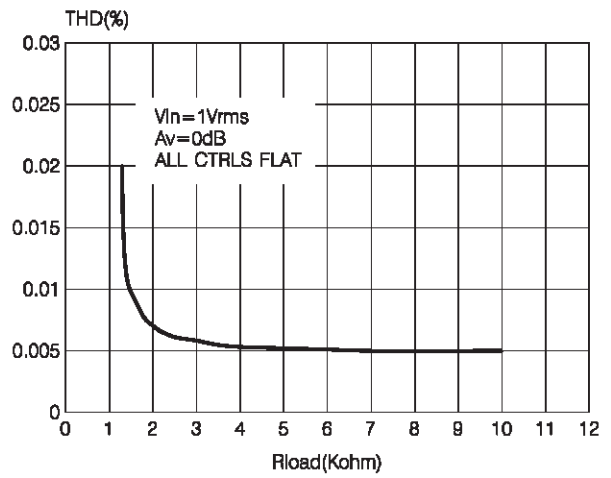
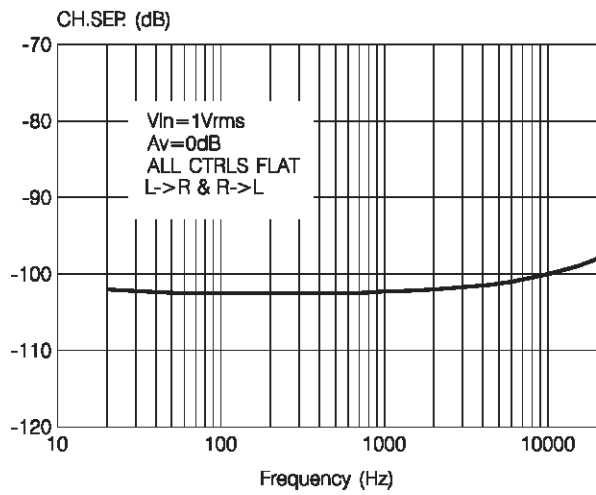


Figure 4: Channel separation vs. frequency



I²C BUS INTERFACE

Data transmission from microprocessor to the TDA7449L and vice versa takes place through the 2 wires I²C BUS interface, consisting of the two lines SDA and SCL (pull-up resistors to positive supply voltage must be connected).

Data Validity

As shown in fig. 3, the data on the SDA line must be stable during the high period of the clock. The HIGH and LOW state of the data line can only change when the clock signal on the SCL line is LOW.

Start and Stop Conditions

As shown in fig.4 a start condition is a HIGH to LOW transition of the SDA line while SCL is HIGH. The stop condition is a LOW to HIGH transition of the SDA line while SCL is HIGH.

Byte Format

Every byte transferred on the SDA line must contain 8 bits. Each byte must be followed by an ac-

knowledge bit. The MSB is transferred first.

Acknowledge

The master (μP) puts a resistive HIGH level on the SDA line during the acknowledge clock pulse (see fig. 5). The peripheral (audio processor) that acknowledges has to pull-down (LOW) the SDA line during this clock pulse.

The audio processor which has been addressed has to generate an acknowledge after the reception of each byte, otherwise the SDA line remains at the HIGH level during the ninth clock pulse time. In this case the master transmitter can generate the STOP information in order to abort the transfer.

Transmission without Acknowledge

Avoiding to detect the acknowledge of the audio processor, the μP can use a simpler transmission: simply it waits one clock without checking the slave acknowledging, and sends the new data.

This approach of course is less protected from misworking.

Figure 3: Data Validity on the I²CBUS

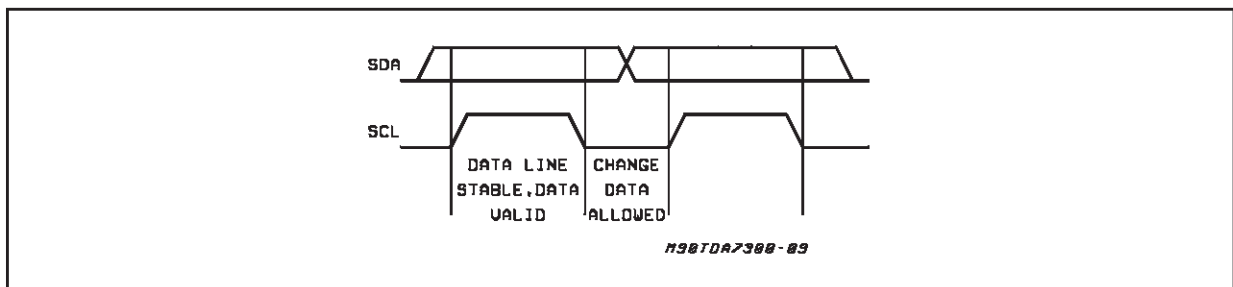


Figure 4: Timing Diagram of I²CBUS

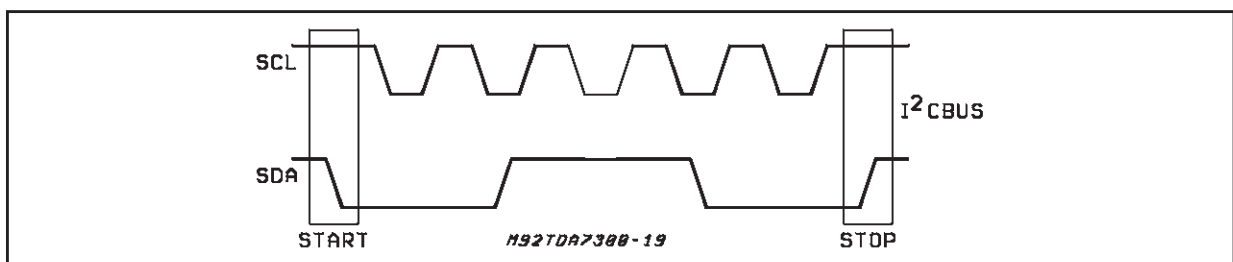
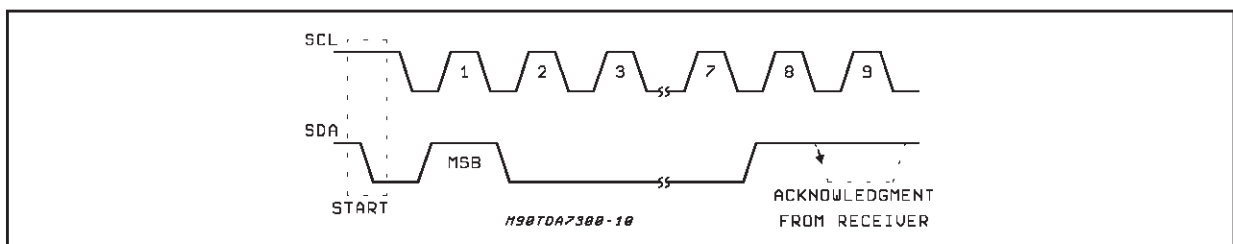


Figure 5: Acknowledge on the I²CBUS



SOFTWARE SPECIFICATION

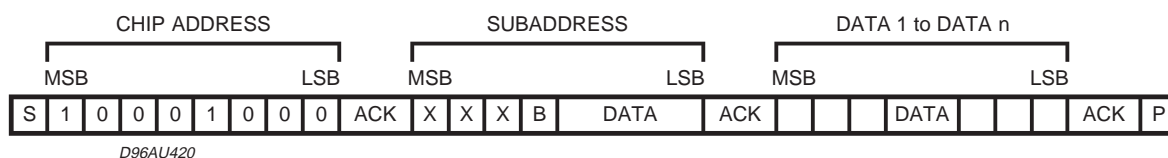
Interface Protocol

The interface protocol comprises:

- A start condition (S)
- A chip address byte, containing the TDA7449L

address

- A subaddress bytes
- A sequence of data (N byte + acknowledge)
- A stop condition (P)



ACK = Acknowledge

S = Start

P = Stop

A = Address

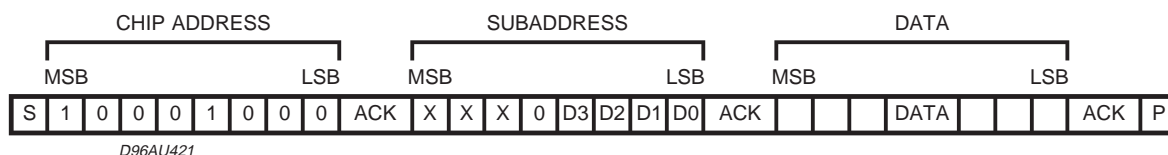
B = Auto Increment

EXAMPLES

No Incremental Bus

The TDA7449L receives a start condition, the cor-

rect chip address, a subaddress with the B = 0 (no incremental bus), N-data (all these data concern the subaddress selected), a stop condition.

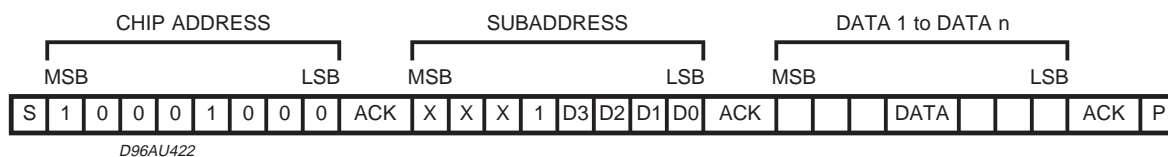


Incremental Bus

The TDA7449L receive a start conditions, the correct chip address, a subaddress with the B = 1 (incremental bus): now it is in a loop condition with an autoincrease of the subaddress whereas

SUBADDRESS from "XXX1000" to "XXX1111" of DATA are ignored.

The DATA 1 concern the subaddress sent, and the DATA 2 concern the subaddress sent plus one in the loop etc, and at the end it receives the stop condition.



TDA7449L

POWER ON RESET CONDITION

INPUT SELECTION	IN2
INPUT GAIN	28dB
VOLUME	MUTE
SPEAKER	MUTE

DATA BYTES

Address = 88 HEX (ADDR:OPEN).

FUNCTION SELECTION: First byte (subaddress)

MSB							LSB	SUBADDRESS
D7	D6	D5	D4	D3	D2	D1	D0	
X	X	X	B	0	0	0	0	INPUT SELECT
X	X	X	B	0	0	0	1	INPUT GAIN
X	X	X	B	0	0	1	0	VOLUME
X	X	X	B	0	0	1	1	NOT USED
X	X	X	B	0	1	0	0	NOT USED
X	X	X	B	0	1	0	1	NOT USED
X	X	X	B	0	1	1	0	SPEAKER ATTENUATE "R"
X	X	X	B	0	1	1	1	SPEAKER ATTENUATE "L"

B = 1: INCREMENTAL BUS ACTIVE

B = 0: NO INCREMENTAL BUS

X = DON'T CARE

In Incremental Bus Mode, the three "not used" functions must be addressed in any case. For example to refresh "Volume = 0dB" and Speaker_R = -40dB", the following bytes must be sent:

SUBADDRESS	XXX10010
VOLUME DATA	X0000000
NOT USED 1 DATA	XXXX1111
NOT USED 2 DATA	XXXX1111
NOT USED 3 DATA	XXXX1111
SPEAKER_R DATA	X0000010

INPUT SELECTION

MSB							LSB	INPUT MULTIPLEXER
D7	D6	D5	D4	D3	D2	D1	D0	
X	X	X	X	X	X	0	0	NOT ALLOWED
X	X	X	X	X	X	0	1	NOT ALLOWED
X	X	X	X	X	X	1	0	IN2
X	X	X	X	X	X	1	1	IN1

DATA BYTES (continued)

INPUT GAIN SELECTION

MSB							LSB		INPUT GAIN
D7	D6	D5	D4	D3	D2	D1	D0	2dB STEPS	
				0	0	0	0	0dB	
				0	0	0	1	2dB	
				0	0	1	0	4dB	
				0	0	1	1	6dB	
				0	1	0	0	8dB	
				0	1	0	1	10dB	
				0	1	1	0	12dB	
				0	1	1	1	14dB	
				1	0	0	0	16dB	
				1	0	0	1	18dB	
				1	0	1	0	20dB	
				1	0	1	1	22dB	
				1	1	0	0	24dB	
				1	1	0	1	26dB	
				1	1	1	0	28dB	
				1	1	1	1	30dB	

GAIN = 0 to 30dB

VOLUME SELECTION

MSB							LSB		VOLUME
D7	D6	D5	D4	D3	D2	D1	D0	1dB STEPS	
					0	0	0	0dB	
					0	0	1	-1dB	
					0	1	0	-2dB	
					0	1	1	-3dB	
					1	0	0	-4dB	
					1	0	1	-5dB	
					1	1	0	-6dB	
					1	1	1	-7dB	
	0	0	0	0				0dB	
	0	0	0	1				-8dB	
	0	0	1	0				-16dB	
	0	0	1	1				-24dB	
	0	1	0	0				-32dB	
	0	1	0	1				-40dB	
	X	1	1	1	X	X	X	MUTE	

VOLUME = 0 to 47dB/MUTE

TDA7449L

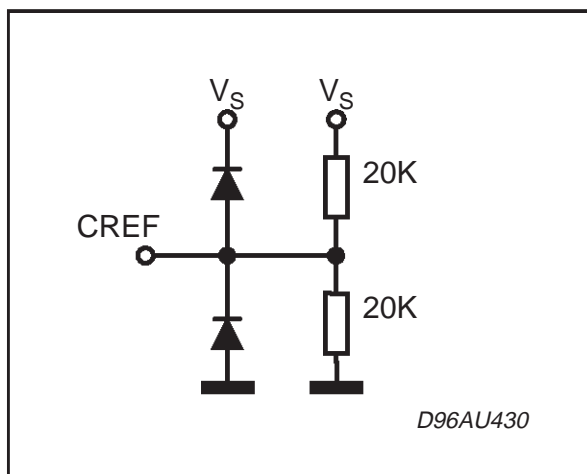
DATA BYTES (continued)

SPEAKER ATTENUATE SELECTION

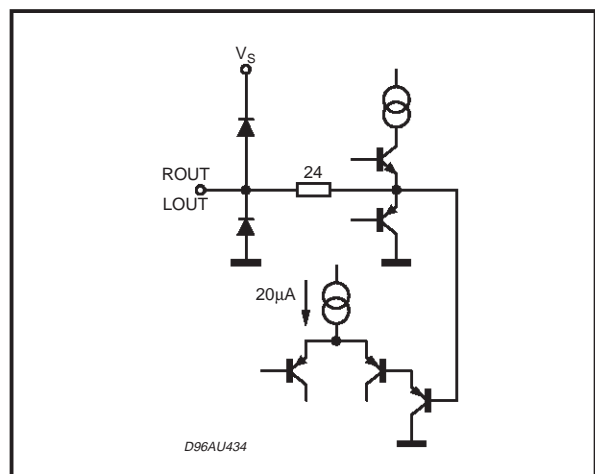
MSB							LSB	SPEAKER ATTENUATION
D7	D6	D5	D4	D3	D2	D1	D0	1dB
					0	0	0	0dB
					0	0	1	-1dB
					0	1	0	-2dB
					0	1	1	-3dB
					1	0	0	-4dB
					1	0	1	-5dB
					1	1	0	-6dB
					1	1	1	-7dB
	0	0	0	0				0dB
	0	0	0	1				-8dB
	0	0	1	0				-16dB
	0	0	1	1				-24dB
	0	1	0	0				-32dB
	0	1	0	1				-40dB
	0	1	1	0				-48dB
	0	1	1	1				-56dB
	1	0	0	0				-64dB
	1	0	0	1				-72dB
	1	1	1	1	X	X	X	MUTE

SPEAKER ATTENUATION = 0 to -79dB/MUTE

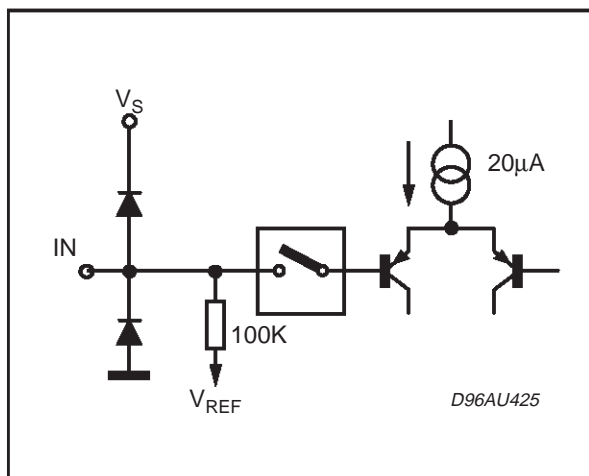
PIN: 1



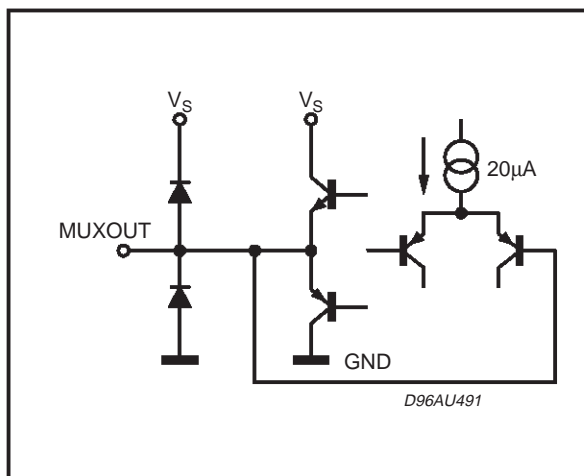
PINS: 4, 5



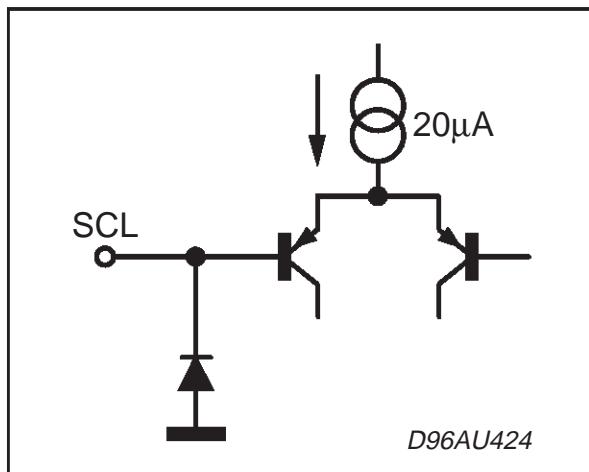
PINS: 6,7,8,9



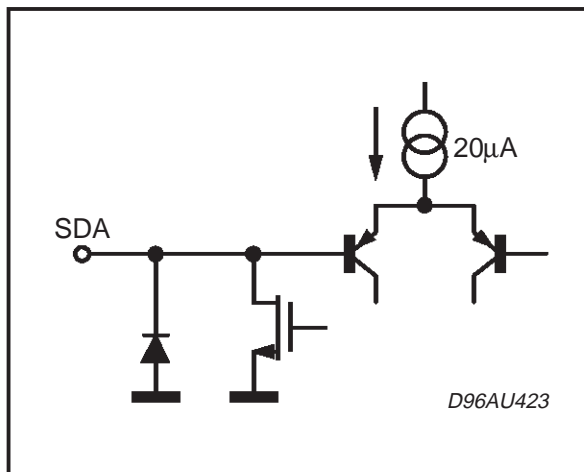
PINS: 10,11



PIN: 19

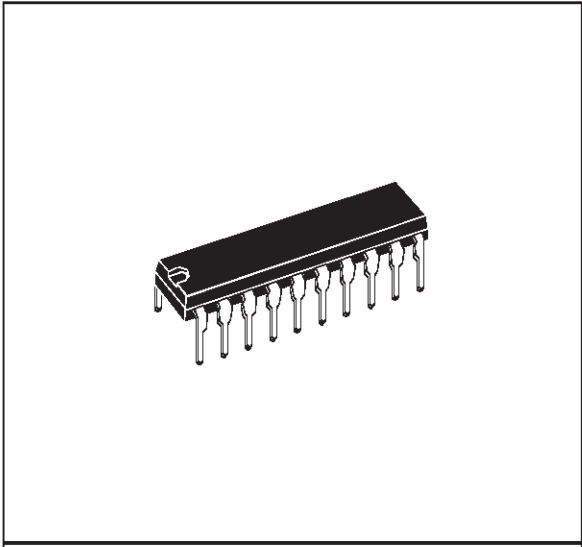


PIN: 20

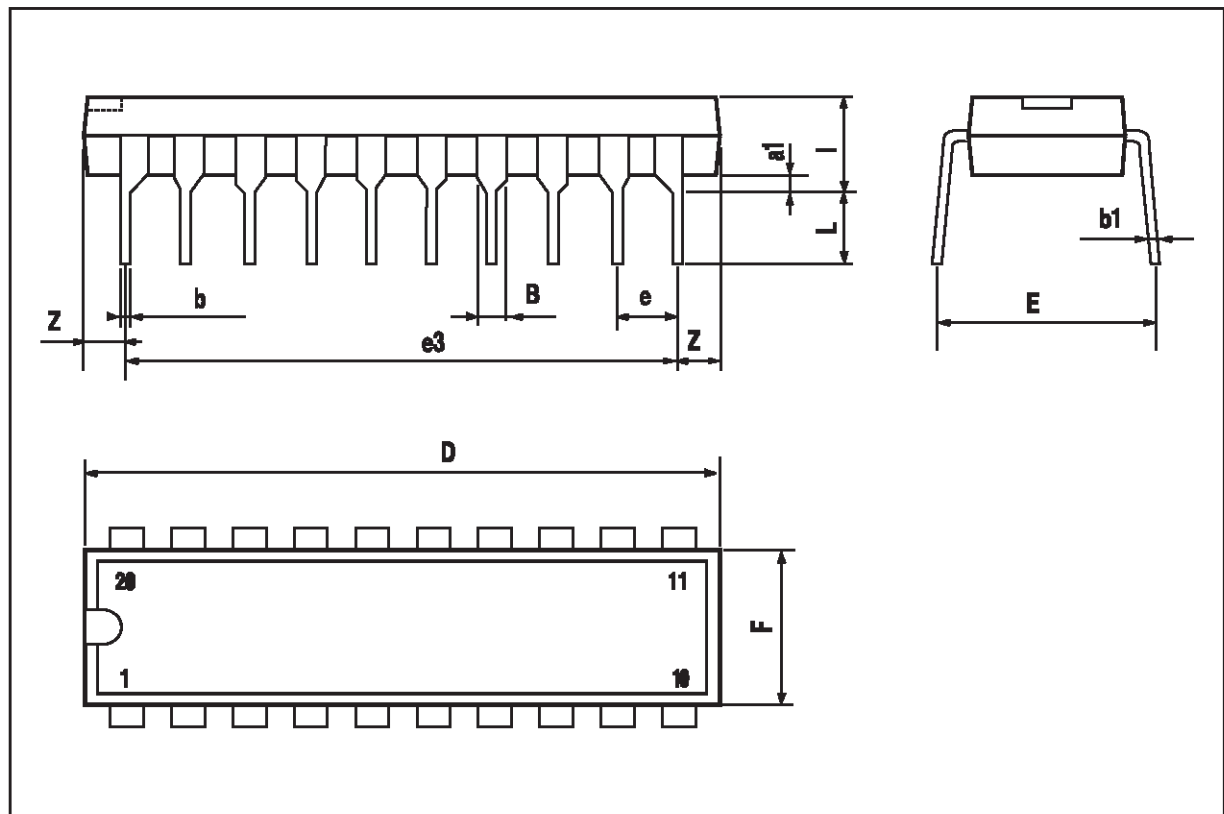


DIM.	mm			inch		
	MIN.	TYP.	MAX.	MIN.	TYP.	MAX.
a1	0.254			0.010		
B	1.39		1.65	0.055		0.065
b		0.45			0.018	
b1		0.25			0.010	
D			25.4			1.000
E		8.5			0.335	
e		2.54			0.100	
e3		22.86			0.900	
F			7.1			0.280
I			3.93			0.155
L		3.3			0.130	
Z			1.34			0.053

OUTLINE AND MECHANICAL DATA



DIP20 (0.300")



Information furnished is believed to be accurate and reliable. However, STMicroelectronics assumes no responsibility for the consequences of use of such information nor for any infringement of patents or other rights of third parties which may result from its use. No license is granted by implication or otherwise under any patent or patent rights of STMicroelectronics. Specification mentioned in this publication are subject to change without notice. This publication supersedes and replaces all information previously supplied. STMicroelectronics products are not authorized for use as critical components in life support devices or systems without express written approval of STMicroelectronics.

The ST logo is a registered trademark of STMicroelectronics

© 1998 STMicroelectronics – Printed in Italy – All Rights Reserved

STMicroelectronics GROUP OF COMPANIES

Australia - Brazil - Canada - China - France - Germany - Italy - Japan - Korea - Malaysia - Malta - Mexico - Morocco - The Netherlands - Singapore - Spain - Sweden - Switzerland - Taiwan - Thailand - United Kingdom - U.S.A.

<http://www.st.com>