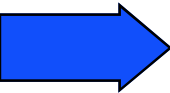
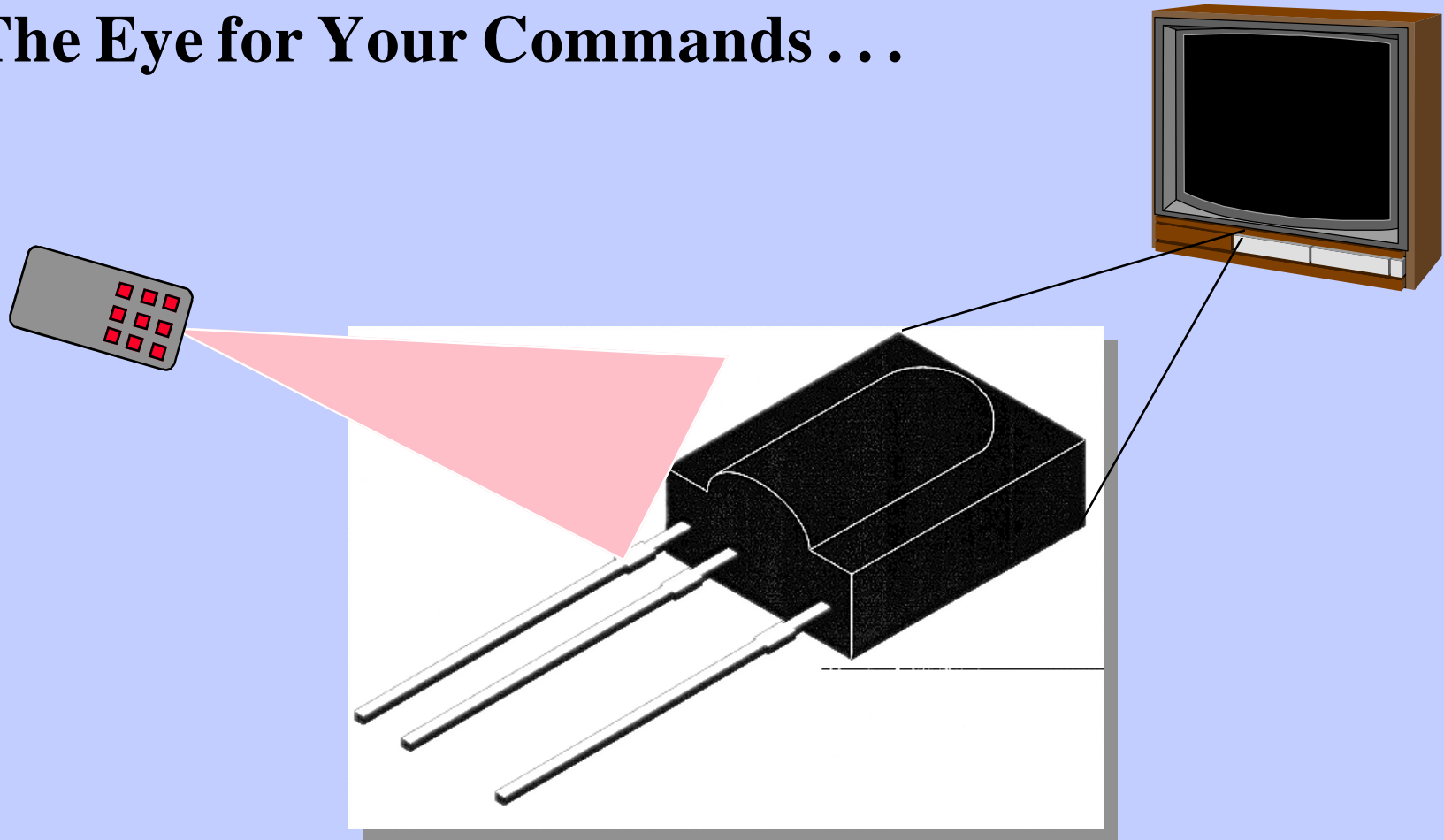
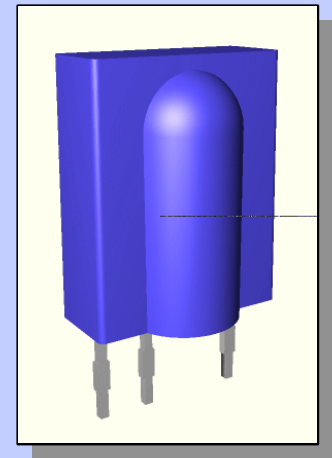
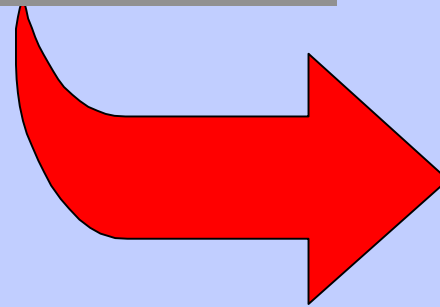
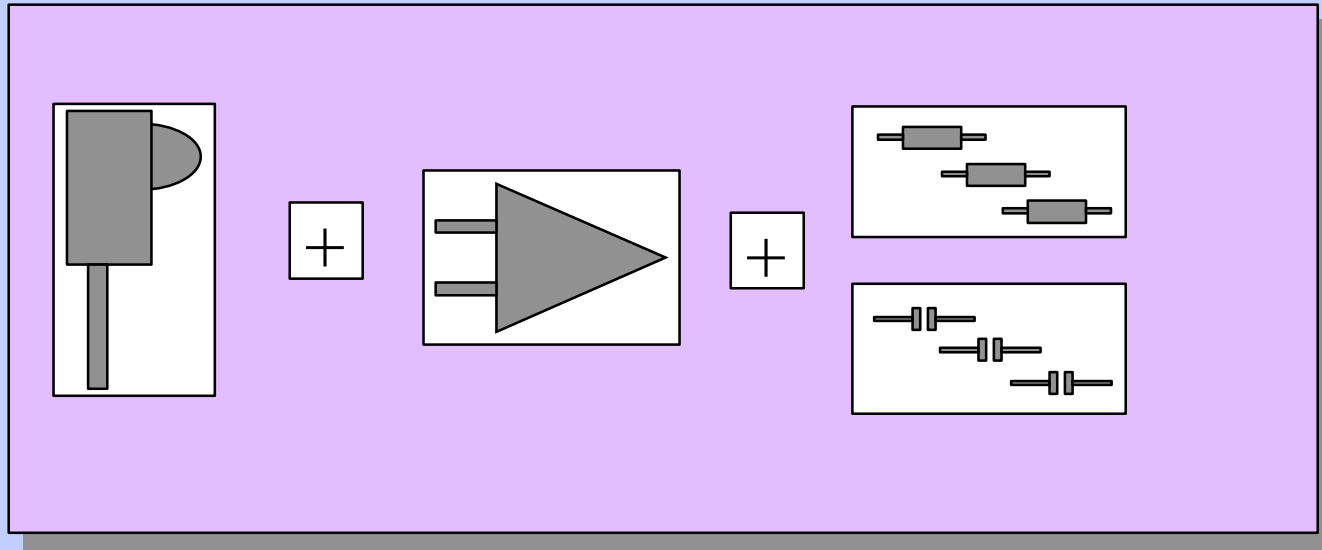


# IR Remote Control Receiver Module

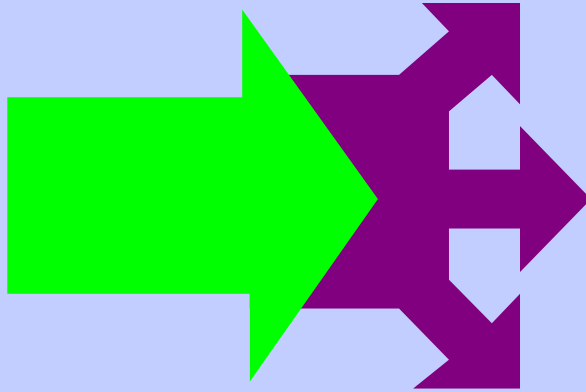
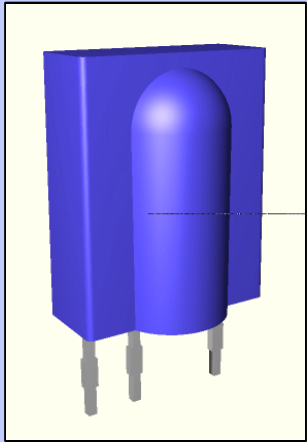


# The Eye for Your Commands . . .

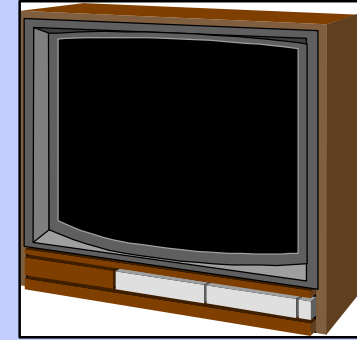




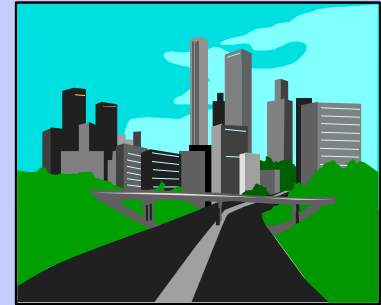
# TFM.. and the applications



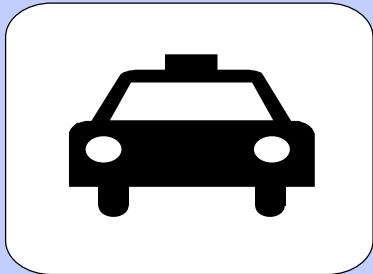
Consumer



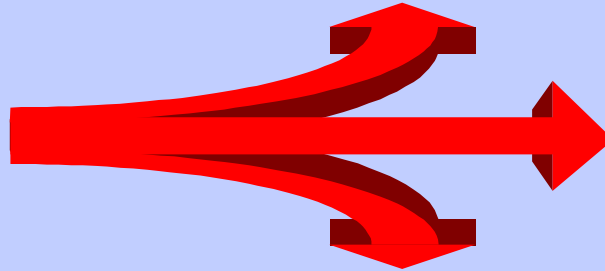
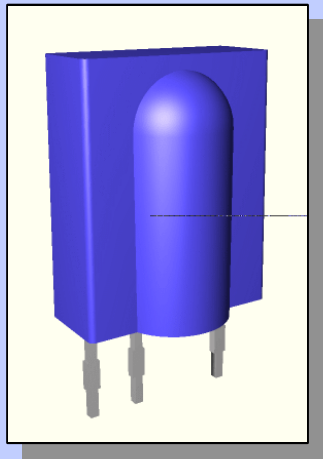
Industrial



Automotive



# TFM.. and the basic modules



**TFMS 1...**

Short Burst  
> "Multi Media"

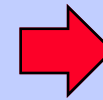
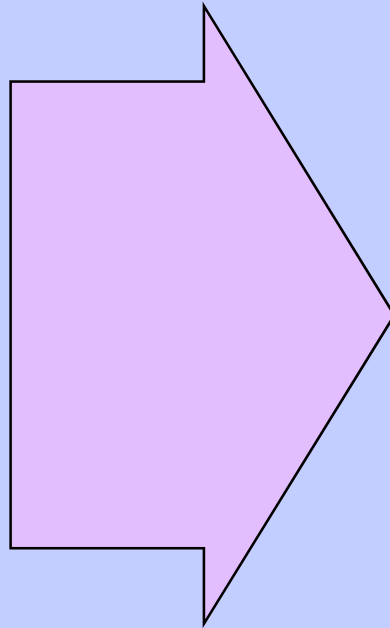
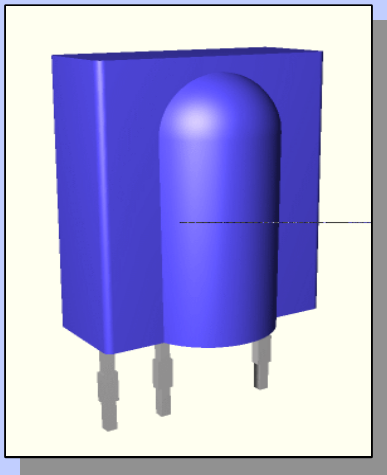
**TFMS 5...**

**Standard Module**

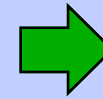
**TFMS 2...**

Long Burst  
> spec. application

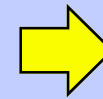
# TFM.. and the mechanical options



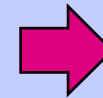
Clips / Holder



Cut Leads



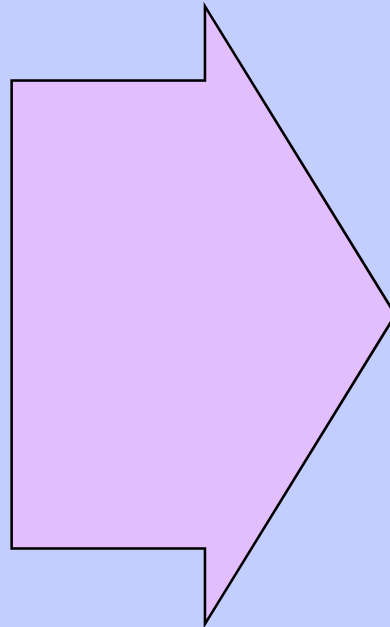
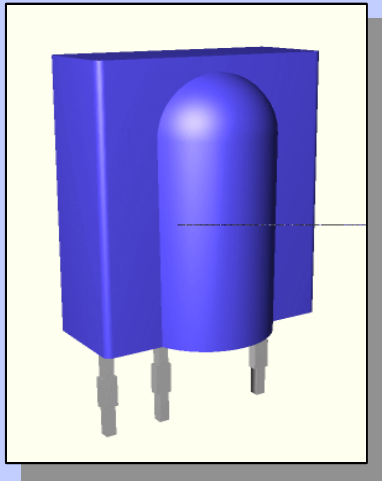
Bent Leads

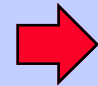
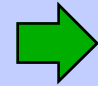
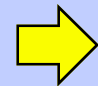

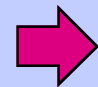




Tinned Leads



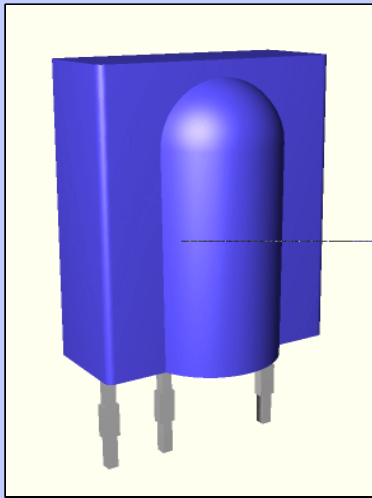
# TFM.. and the frequencies



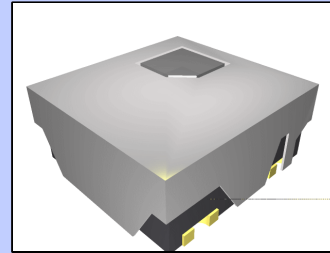
-  TFMS 5300 (30kHz)
-  TFMS 5330 (33kHz)
-  TFMS 5360 (36kHz)
-  TFMS 5370 (36,7kHz)
-  TFMS 5380 (38kHz)
-  TFMS 5400 (40kHz)
-  TFMS 5560 (56kHz)

**7 Standard Frequencies**

# TFM.. and the package

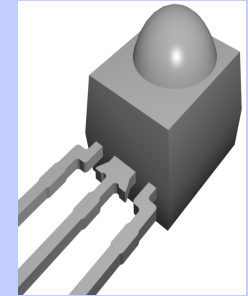


**Actual Standard  
Package**



**SMD**

**now available**

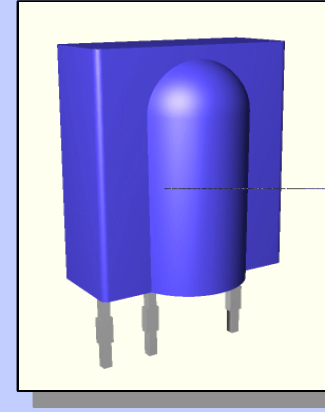


**Small Size**

**1996**



# Roadmap to the Future



**TSOP18xx - New Small Size Module**

**TSOP17xx - New in 1996**

**TFM.7xx0 - Economy Version**

**TFM.5xx0 - State-of-the-art Module**