

High speed thermal printhead (300 dots / inch)

NB3002-VA10A

The NB3002-VA10A is a flat thin-film thermal printhead capable of printing speeds up to 10 inch / second, and suited for general purpose compact printers as well as label printers.

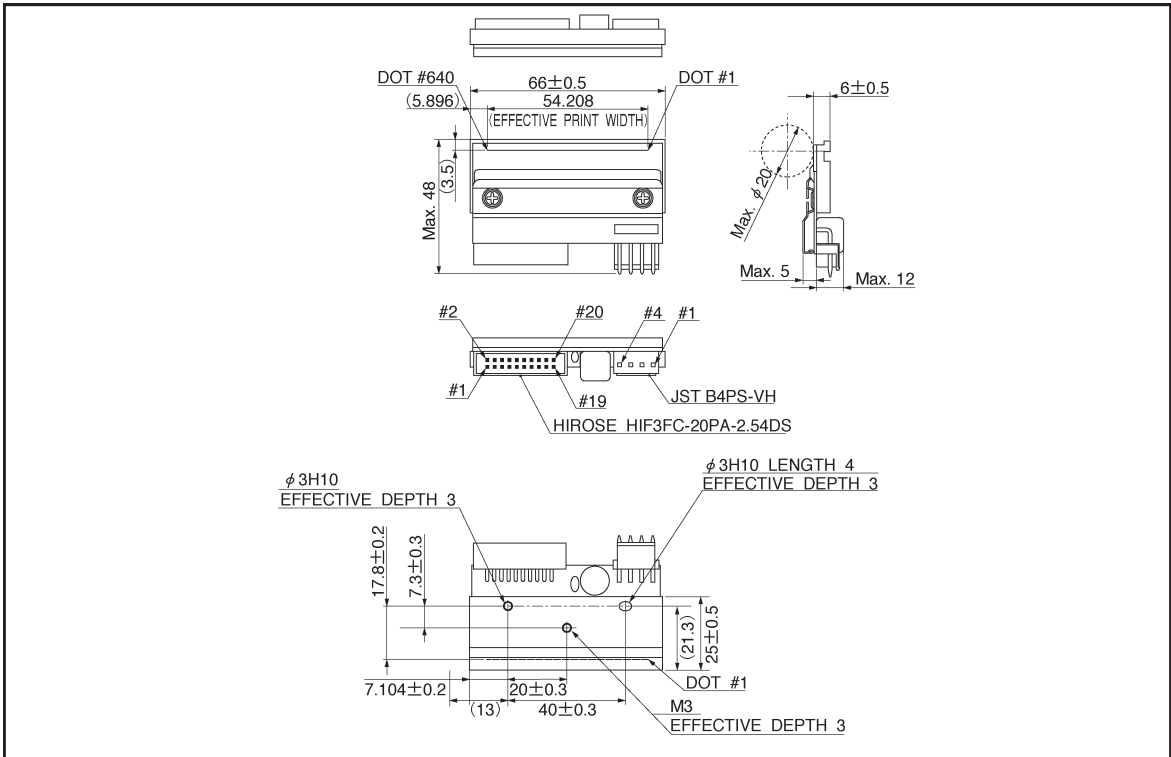
●Applications

High definition bar code label printers
High definition ticket printers
General purpose compact printers

●Features

- 1) High resolution of 300 dots/inch.
- 2) Special glazed components for high speed, high quality printing.
- 3) High speed clock (10MHz) to facilitate external heat history control.
- 4) Using a hard conductive film as a protective film on the heating element offers excellent resistance to electrostatic damage.
- 5) Compatible with the NF2002-VA10A (8 dots/mm) in mechanical specifications, to facilitate the making of a series of printers.

●External dimensions (Units: mm)



Note: No heat history control function inside the thermal printhead. External heat history control is required for high speed printing.

●Characteristics

Parameter	Symbol	Typical	Unit
Effective printing width	—	54.2	mm
Dot pitch	—	0.0847	mm
Total dot number	—	640	dots
Average resistance value	Rave	850	Ω
Applied voltage	V _H	24	V
Applied power	P _O	0.618	W / dot
Print cycle	SLT	0.83	ms
Pulse width	T _{ON}	0.186	ms
Maximum number of dots energized simultaneously	—	640	dots
Maximum clock frequency	—	10	MHz
Maximum roller diameter	—	20	mm
Running life / pulse life	—	50 / 10 ⁸	km / pulses
Operating temperature	—	5~45	°C

●Pin assignments

HIROSE

No.	Circuit	No.	Circuit
1	V _{DD}	2	BEO
3	GND	4	DI2
5	N.C.	6	CLK
7	$\overline{\text{LA}}$	8	GND
9	GND	10	DI1
11	N.C.	12	GND
13	V _{DD}	14	$\overline{\text{STB2}}$
15	$\overline{\text{STB1}}$	16	TM
17	TM	18	SENS1
19	SENS2	20	SENS3

JST

No.	Circuit
1	VH
2	VH
3	GND
4	GND

● Timing chart

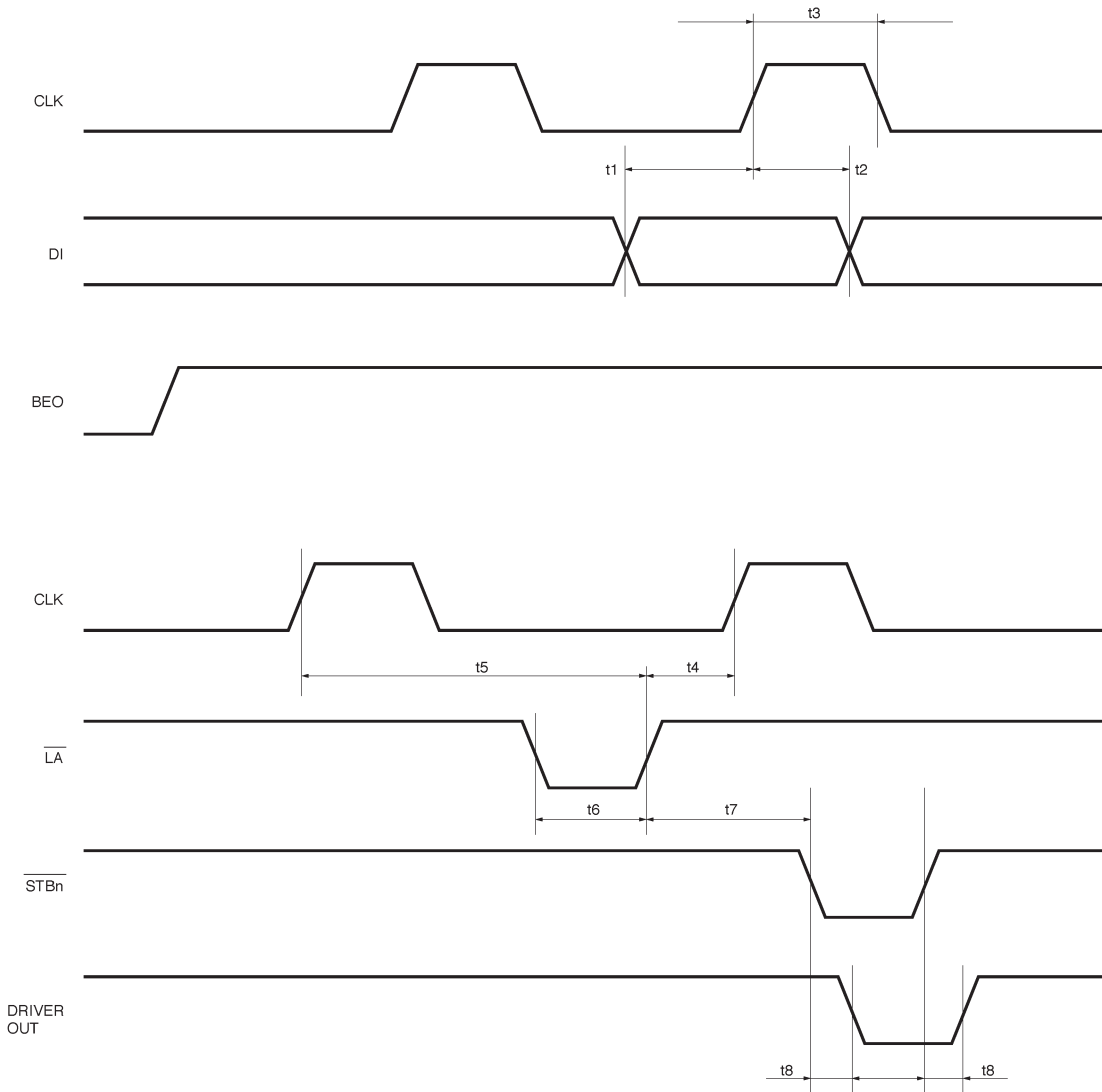
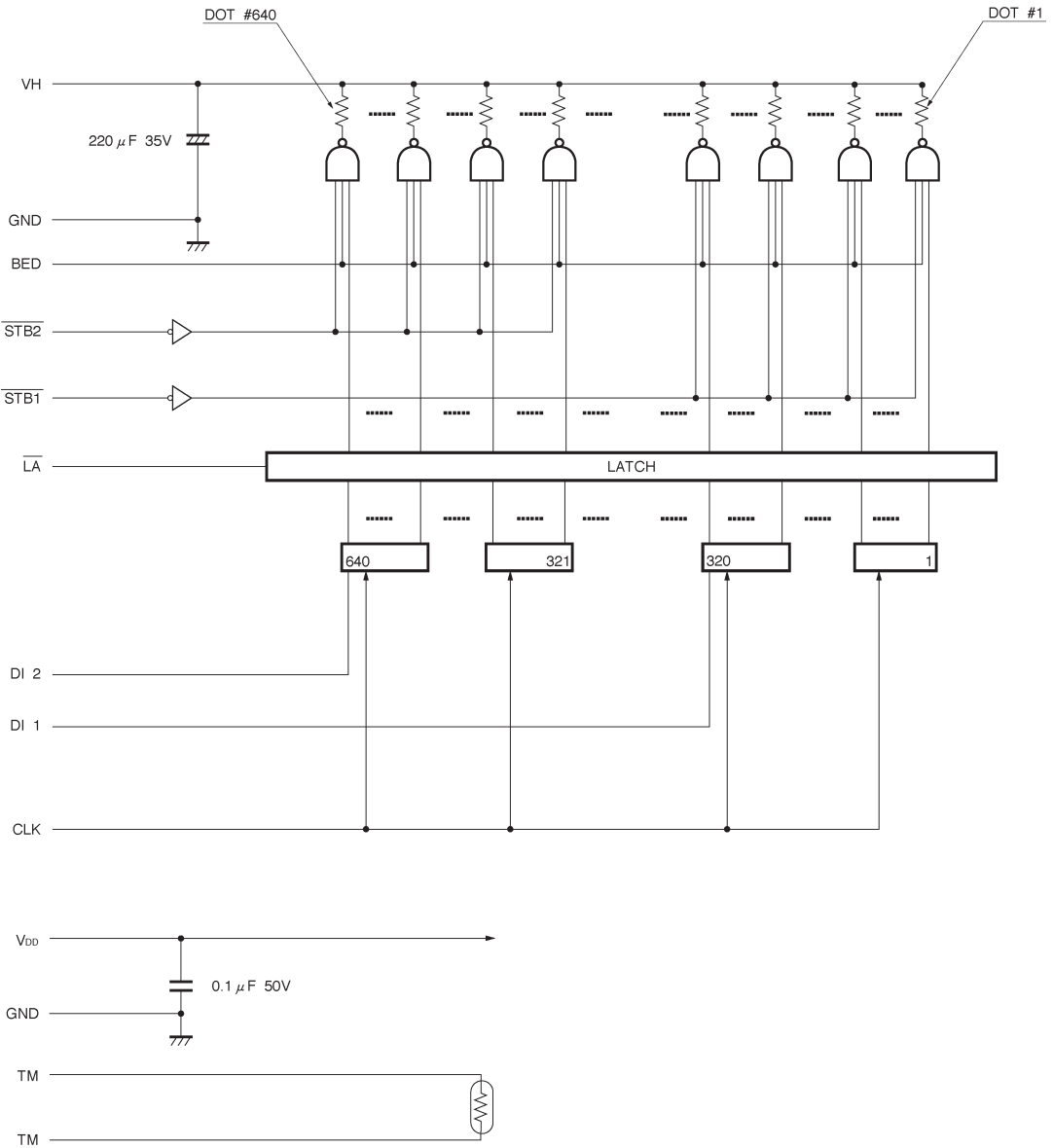


Fig.1

●Equivalent circuit



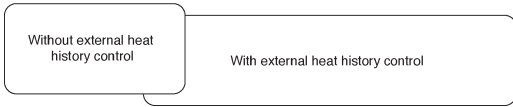
DI No.	DOT No.
DI 2	640~321
DI 1	320~ 1

$\overline{\text{STB}}$ No.	DOT No.
$\overline{\text{STB}} 2$	640~321
$\overline{\text{STB}} 1$	320~ 1

Fig. 2

●Supported speeds chart

Inch / second [IPS]											
0	1	2	3	4	5	6	7	8	9	10	OVER



●Electrical characteristic curves

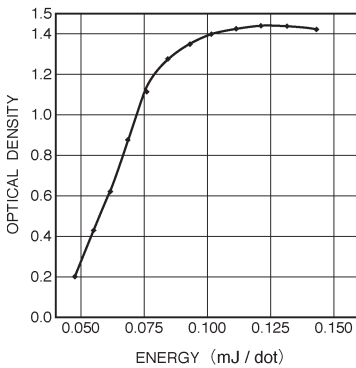


Fig. 3 Representative density curve

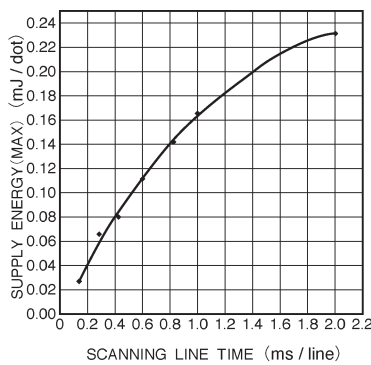


Fig. 4 Maximum energy curve

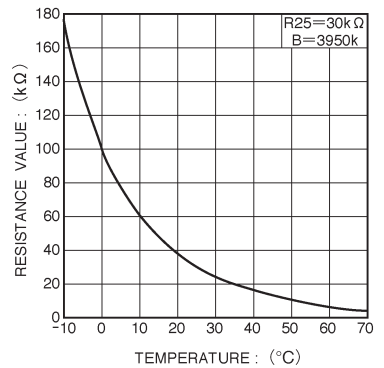


Fig. 5 Thermistor curve