

8-bit Proprietary Microcontroller

CMOS

F²MC-8L MB89990 Series

MB89997

■ OUTLINE

The MB89990 series microcontrollers contain various resources such as timers, external interrupts, and remote-control functions, as well as an F²MC*-8L CPU core for low-voltage and high-speed operations. These single-chip microcontrollers are suitable for small devices such as remote controllers incorporating compact packages.

*: F²MC stands for FUJITSU Flexible Microcontroller.

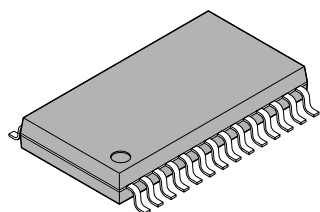
■ FEATURES

- Minimum execution time: 0.95 μ s at 4.2 MHz ($V_{CC} = 2.7$ V)
- F²MC-8L family CPU core
- Two timers
 - 8/16-bit timer/counter
 - 20-bit timebase counter

(Continued)

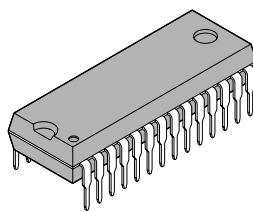
■ PACKAGE

28-pin Plastic SOP



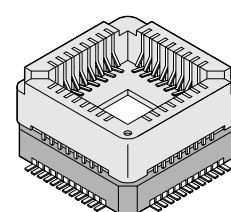
(FPT-28P-M17)

28-pin Plastic SH-DIP



(DIP-28P-M03)

48-pin Ceramic MQFP



(MQP-48C-P01)

MB89990 Series

(Continued)

- External interrupts
 - Edge detection (Edge selection enabled): 3 channels
 - Low-level interrupt (Wake-up function): 8 channels
- Internal remote-control transmission frequency generator
- Low-power consumption modes
 - Stop mode (Almost no current consumption occurs because oscillation stops.)
 - Sleep mode (The current consumption is about 1/3 of that during normal operation because the CPU stops.)
- Packages
 - SOP-28 and SH-DIP-28

■ PRODUCT LINEUP

Part number Item	MB89997	MB89P195*1	MB89PV190*2
Classification	Mass-produced products (mask ROM products)	One-time PROM product	For development and evaluation
ROM size	32 K × 8 bits (internal mask ROM)	16 K × 8 bits (internal PROM, to be programmed with general- purpose EPROM programmer)	32 K × 8 bits (external ROM)
RAM size	128 × 8 bits	256 × 8 bits	
CPU functions	The number of basic instructions: 136 Instruction bit length: 8 bits Instruction length: 1 to 3 bytes Data bit length: 1, 8, and 16 bits Minimum execution time: 0.95 μs at 4.2 MHz Interrupt processing time: 8.57 μs at 4.2 MHz		
Ports	I/O port (N channel open drain): 6 I/O port (CMOS): 16 (13 serves as resources) Total: 22		
8/16-bit timer/ counter	2 channels for 8-bit timer counter or for 16-bit event counter (operation clock: 1.9 μs, 30.4 μs, and 487.6 μs at 4.2 MHz, and external clock)		
External interrupt 1	3 independent channels (edge selection, interrupt vector, and interrupt source flag) Rising edge/falling edge/both edge selectability Used for wake-up from stop/sleep mode. (Edge detection is also permitted in stop mode.)		
External interrupt 2 (Wake-up function)	8 channels (low-level interrupt only)		
Remote-control transmission frequency generation	The pulse width and cycle are software-programmable.		

(Continued)

MB89990 Series

(Continued)

Part number	MB89997	MB89P195*1	MB89PV190*2
Item			
Low-power consumption (standby mode)	Sleep mode and stop mode		
Process	CMOS		
Power supply voltage*3	2.2 V to 6.0 V	2.7 V to 6.0 V	
EPROM for use			MBM27C256A-20TVM

*1 : The MB89P195 microtroller is the one-time product for the MB89190 series which can be also be used for the MB89990 series.

*2 : The MB89PV190 microtroller is the evaluation and development product for the MB89190 series which can be also be used for the MB89990 series.

*3 : Varies with conditions such as operating frequencies (see "■ Electrical Characteristics.")

■ PACKAGE AND CORRESPONDING PRODUCTS

Package	MB89997	MB89P195	MB89PV190
DIP-28P-M03	○	×	×
FPT-28P-M17	○	○	×
MQP-48C-P01	×	×	○*

○ : Available × : Not available

* : A socket (manufacturer: Sun Hayato Co., Ltd.) for pin pitch conversion is available.
480F-28SOP-8L: (MQP-48C-P01) → for conversion to FPT-28P-M02

Inquiry: Sun Hayato Co., Ltd.: TEL: (81)-3-3986-0403
FAX: (81)-3-5396-9106

Note: For more information on each package, see "■ Package Dimensions."

MB89990 Series

■ DIFFERENCES AMONG PRODUCTS

1. Memory Size

Before evaluating using the piggyback model, verify its difference from the model that will actually be used. Take particular care on the following points:

- On the MB89997, addresses 0140_H to 0180_H cannot be used for register banks.
- The stack area, etc., is set in the upper limit of the RAM.

2. Current Consumption

- In the case of MB89PV190, add the current consumed by the EPROM which is connected to the top socket.
- When operated at low speed, a model with an OTPROM (EPROM) will consume more current than a model with a mask ROM.

However, current consumption in the sleep/stop mode is the same. (For more information, see “■ Electrical Characteristics.”)

3. Mask Options

Functions that can be selected as options and how to designate these options vary by model.

Before using options check “■ Mask Options.”

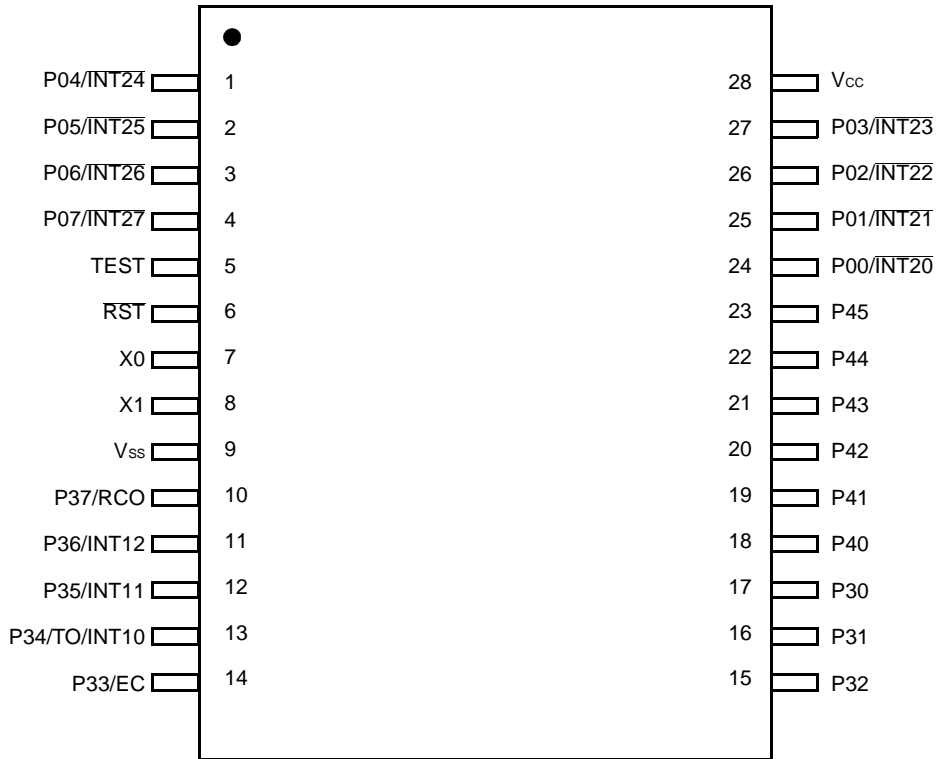
Take particular care on the following points:

- The power-on reset option is fixed as “enabled” for MB89P195.
- Options are fixed on the MB89PV190.

MB89990 Series

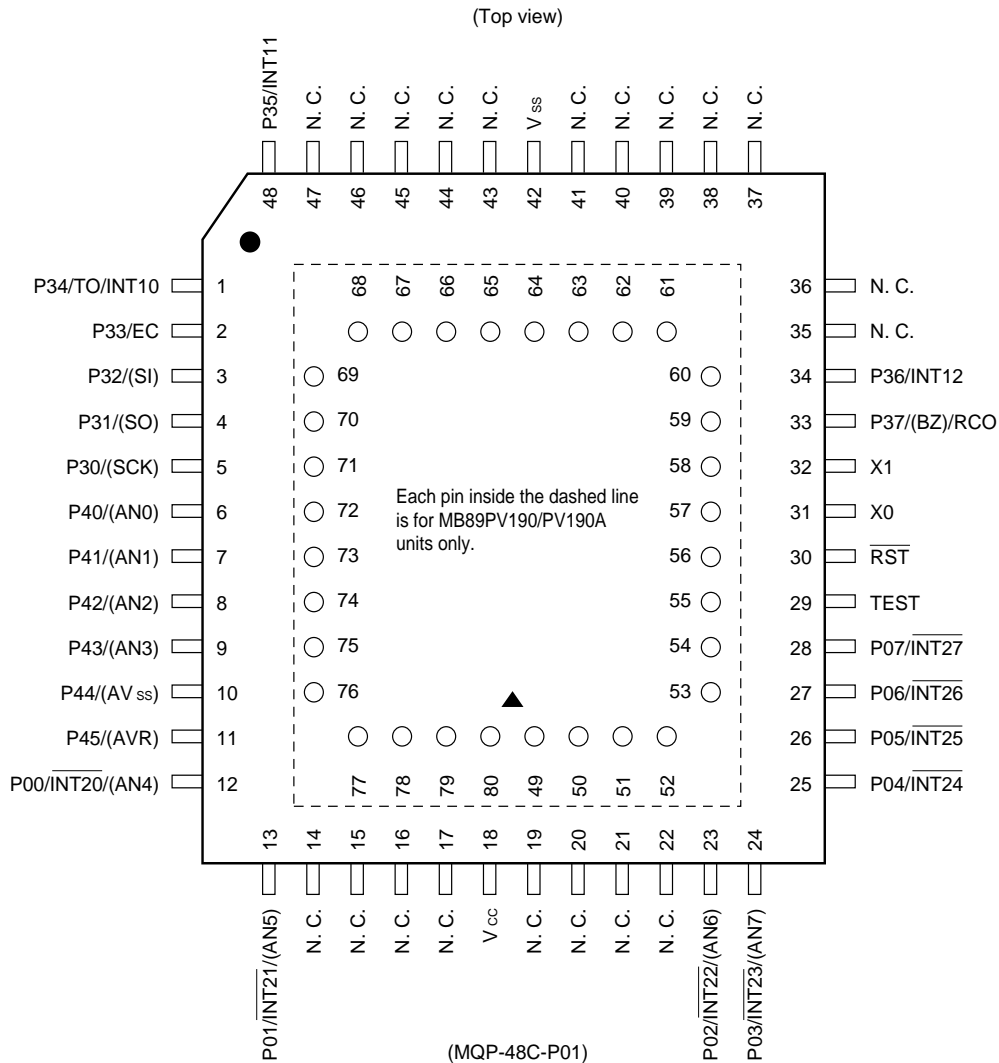
■ PIN ASSIGNMENT

(Top view)



(FPT-28P-M17)
(DIP-28P-M03)

MB89990 Series



- Pin assignment on the package top (MB89PV190/PV190A only)

Pin no.	Pin name	Pin no.	Pin name	Pin no.	Pin name	Pin no.	Pin name
49	V _{PP}	57	N.C.	65	O4	73	\overline{OE}
50	A12	58	A2	66	O5	74	N.C.
51	A7	59	A1	67	O6	75	A11
52	A6	60	A0	68	O7	76	A9
53	A5	61	O1	69	O8	77	A8
54	A4	62	O2	70	\overline{CE}	78	A13
55	A3	63	O3	71	A10	79	A14
56	N.C.	64	V _{SS}	72	N.C.	80	V _{CC}

N.C.: Internally connected. Do not use.

Note: Parenthesized pin function is only for the MB89PV190A.

MB89990 Series

■ PIN DESCRIPTION

Pin no.		Pin name	Circuit type	Function
SOP* ¹ SH-DIP* ²	MQFP* ³			
7	31	X0	A	Clock oscillation pins
8	32	X1		
5	29	TEST	B	Test input pin This pin is connected directly to V _{ss} .
6	30	RST	C	Reset I/O pin This pin consists of an N-ch open-drain output with a pull-up resistor and hysteresis input. A low level is output from this pin by internal source. The internal circuit is initialized at the input of a low level.
24, 25, 26, 27	12, 13, 23, 24	P00/INT20, P01/INT21, P02/INT22, P03/INT23	G	General-purpose I/O ports Also serve as external interrupt input pins. External interrupt input is hysteresis input type.
1 to 4	25 to 28	P04/INT24 to P07/INT27	D	General-purpose I/O ports Also serve as external interrupt input. External interrupt input is hysteresis input type.
17	5	P30	D	General-purpose I/O port Also serves as a serial I/O clock I/O. The serial I/O clock input is hysteresis input type with a built-in noise filter.
16	4	P31	E	General-purpose I/O port Also serves as a serial I/O data output pin.
15	3	P32	D	General-purpose I/O port Also serves as a serial I/O data input pin. The serial I/O data input is hysteresis input type with a built-in noise filter.
14	2	P33/EC	D	General-purpose I/O port Also serves as an external clock input pin for the 8-bit timer/counter. External clock input of the 8-bit timer/counter is hysteresis input type with a built-in noise filter.
13	1	P34/TO/INT10	D	General-purpose I/O port Also serves as the overflow output and external interrupt input for the 8-bit timer/counter. External interrupt input is hysteresis input type with a built-in noise filter.
12, 11	48, 34	P35/INT11, P36/INT12	D	General-purpose I/O port Also serve as external interrupt input pins. External interrupt input is hysteresis input type with a built-in noise filter.

*1: FPT-28P-M17

*2: DIP-28P-M03

*3: MQP-48C-P01

(Continued)

MB89990 Series

(Continued)

Pin no.		Pin name	Circuit type	Function
SOP* ¹ SH-DIP* ²	MQFP* ³			
10	33	P37//RCO	E	General-purpose I/O port Also serves as remote-control output pin.
18 to 21	6 to 9	P40 to P43	F	N-ch open-drain I/O ports
23	11	P45	F	N-ch open-drain type I/O port
22	10	P44	F	N-ch open-drain type I/O port
28	18	V _{CC}	—	Power supply pin
9	42	V _{SS}	—	Power supply (GND) pin

*1: FPT-28P-M17

*2: DIP-28P-M03

*3: MQP-48C-P01

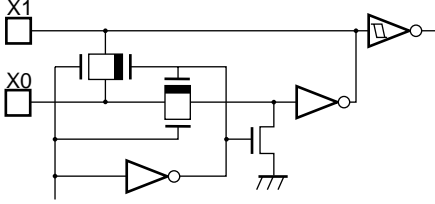
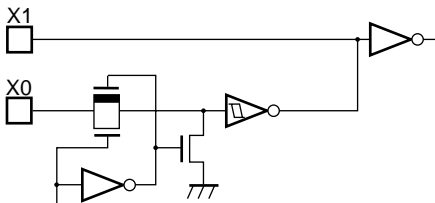
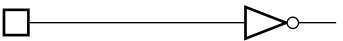
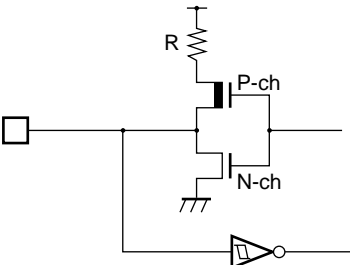
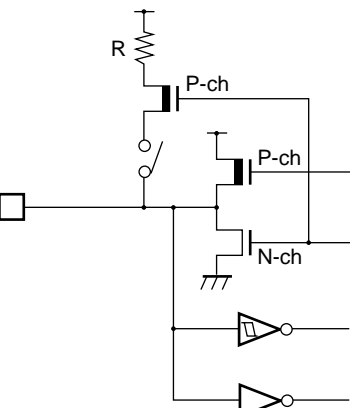
MB89990 Series

- External EPROM pins (MB89PV190 only)

Pin no.	Pin name	I/O	Function
49	V _{PP}	O	"H" level output pin
79	A14	O	Address output pins
78	A13		
50	A12		
75	A11		
71	A10		
76	A9		
77	A8		
51	A7		
52	A6		
53	A5		
54	A4		
55	A3		
58	A2	I	Data input pins
59	A1		
60	A0		
61	O1		
62	O2		
63	O3		
65	O4		
66	O5		
67	O6	O	ROM chip enable pin Outputs "H" during standby.
68	O7		
69	O8	O	ROM output enable pin Outputs "L" at all times.
70	\overline{CE}		
73	\overline{OE}	O	EPROM power pin
80	V _{cc}		
64	V _{ss}	O	Power supply (GND) pin

MB89990 Series

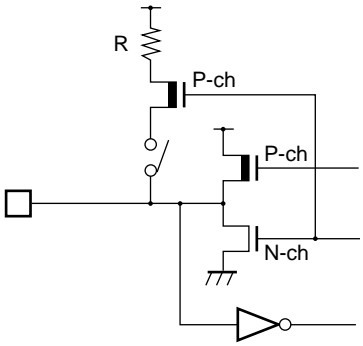
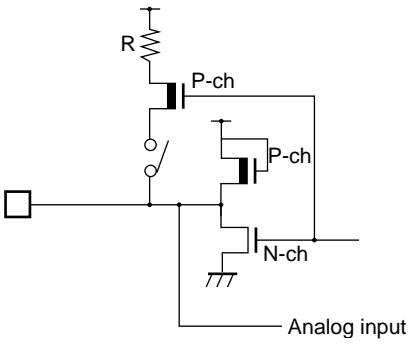
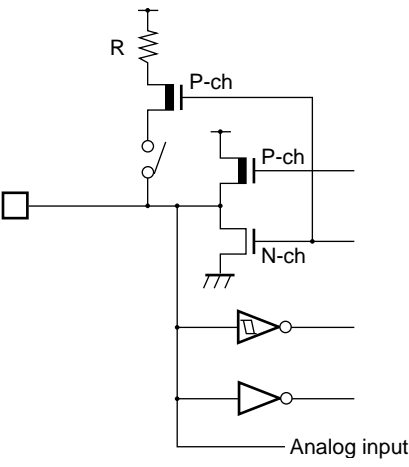
■ I/O CIRCUIT TYPE

Type	Circuit	Remarks
A	 <p>Standby control signal</p>	<ul style="list-style-type: none"> • At an oscillation feedback resistor of approximately 1 MΩ at 5.0 V • When crystal and ceramic oscillators are selected optionally
	 <p>Standby control signal</p>	<ul style="list-style-type: none"> • When CR oscillation is selected optionally
B		
C		<ul style="list-style-type: none"> • Output pull-up resistor (P-ch): About 50 kΩ at 5.0 V • Hysteresis input • Pull-up resistor optional
D		<ul style="list-style-type: none"> • CMOS output • CMOS input • Hysteresis input (resource input) • Pull-up resistor optional

(Continued)

MB89990 Series

(Continued)

Type	Circuit	Remarks
E		<ul style="list-style-type: none"> • CMOS output • CMOS input • Pull-up resistor optional
F		<ul style="list-style-type: none"> • N-ch open-drain output • Analog input • Pull-up resistor optional (MB89990 series only)
G		<ul style="list-style-type: none"> • CMOS output • CMOS input • Hysteresis input (resource input) • Analog input • Pull-up resistor optional (MB89990 series only)

MB89990 Series

■ HANDLING DEVICES

1. Preventing Latch-up

Latchup may occur on CMOS ICs if voltage higher than V_{CC} or lower than V_{SS} is applied to input or output pins other than medium-to high-voltage pins or if higher than the voltage which shows on “1. Absolute Maximum Ratings” in “■ Electrical Characteristics” is applied between V_{CC} to V_{SS} .

When latchup occurs, power supply current increases rapidly and might thermally damage elements. When using, take great care not to exceed the absolute maximum ratings.

2. Treatment of Unused Input Pins

Leaving unused input pins open could cause malfunctions. They should be connected to pull-up or pull-down resistor.

3. Treatment of N.C. Pins

Be sure to leave (internally connected) N.C. pins open.

4. Power Supply Voltage Fluctuations

Although V_{CC} power supply voltage is assured to operate within the rated range, a rapid fluctuation of the voltage could cause malfunctions, even if it occurs within the rated range. Stabilizing voltage supplied to the IC is therefore important. As stabilization guidelines, it is recommended to control power so that V_{CC} ripple fluctuations (P-P value) will be less than 10% of the standard V_{CC} value at the commercial frequency (50 to 60 Hz) and the transient fluctuation rate will be less than 0.1 V/ms at the time of a momentary fluctuation such as when power is switched.

5. Precautions when Using an External Clock

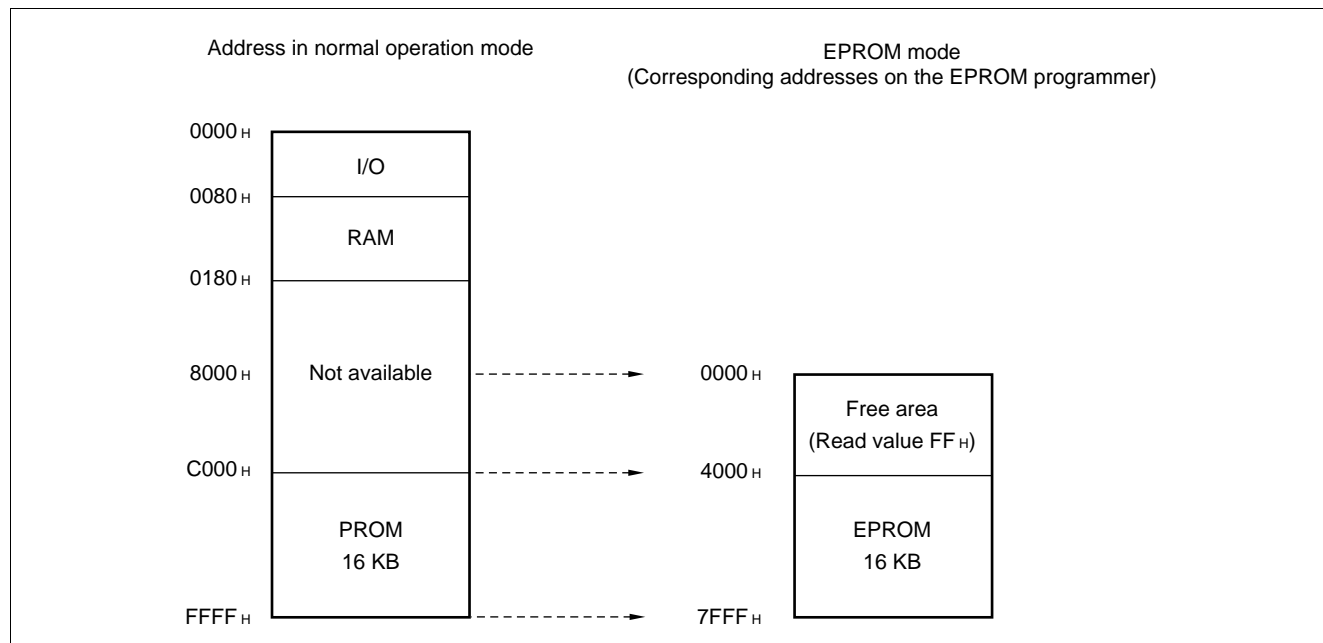
When an external clock is used, oscillation stabilization time is required even for power-on reset (option selection) and release from stop mode.

MB89990 Series

PROGRAMMING TO PROM ON THE MB89P195

The MB89P195 can program data in the internal PROM using a dedicated conversion adaptor and specified general-purpose EPROM programmer.

1. Memory Space



2. Specified ROM Programmer Manufacturer, Model Name, and Programming in ROM

• Recommended ROM programmer

Manufacturer	Model
ADVANTEST	R4945

• Programming procedure

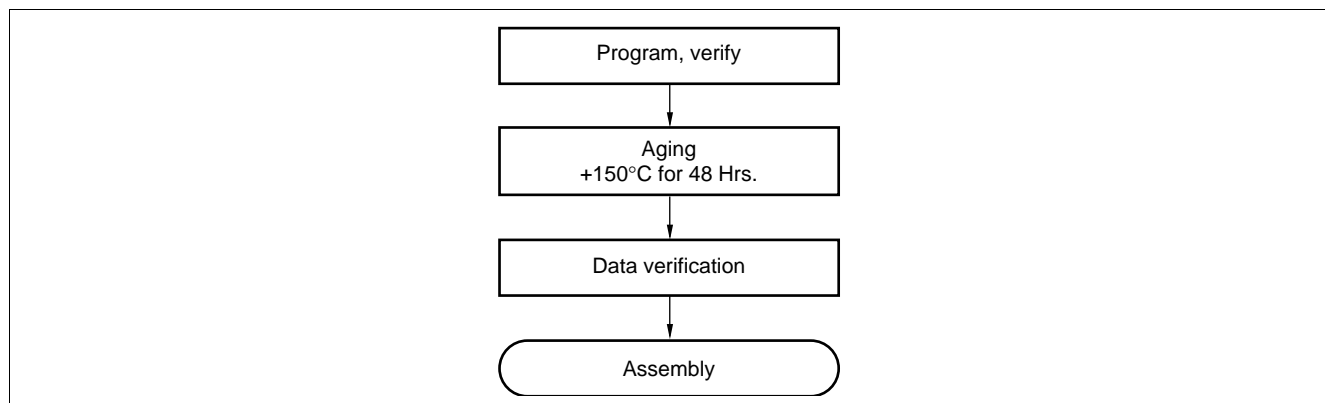
- (1) Load program data into the ROM programmer at addresses 4000_H to 7FFF_H. (Addresses 0C000_H to 0FFFF_H in the operation mode assign to 4000_H to 7FFF_H in ROM programmer. See the illustration above.)
- (2) Set the data at addresses 0000_H to 3FFF_H of the programmer ROM in the ROM programmer, to FF_H.
- (3) To set up the successive-address write mode of the ROM programmer, press the DEVICE, PROG, SET, SELECT, E and SET keys in this order.

Note: Program must be started at the address 0000_H.
For details, contact our Sales Division.

MB89990 Series

3. Recommended Screening Conditions

High-temperature aging is recommended as the pre-assembly screening procedure for a product with a blanked OTPROM microcontroller program.



4. Programming Yield

All bits cannot be programmed at Fujitsu shipping test to a blanked OTPROM microcomputer, due to its nature (one time PROM). For this reason, a programming yield of 100% cannot be assured at all times.

5. EPROM Programmer Socket Adapter and Recommended Programmer Manufacturer

Part no.		MB89P195PF	
Package		SOP-28	
Compatible socket adapter Sun Hayato Co., Ltd.		ROM-28SOP-28DP-8L	
Recommended programmer manufacturer and programmer name	Minato Electronics Inc.	MODEL 1890A (ver. 2.2) + OU-910 (ver. 4.1)	Recommended
	Data I/O Co., Ltd.	UNISITE (ver. 5.0 or later)	Recommended
		3900 (ver. 2.8 or later)	
		2900 (ver. 3.8 or later)	

Inquiry: Sun Hayato Co., Ltd. : TEL: (81)-3-3986-0403
FAX: (81)-3-5396-9106

Minato Electronics Inc. : TEL: USA (1)-916-348-6066
JAPAN (81)-45-591-5611

Data I/O Co., Ltd. : TEL: USA/ASIA (1)-206-881-6444
EUROPE (49)-8-985-8580

■ PROGRAMMING TO THE EPROM WITH PIGGYBACK/EVALUATION DEVICE**1. EPROM for Use**

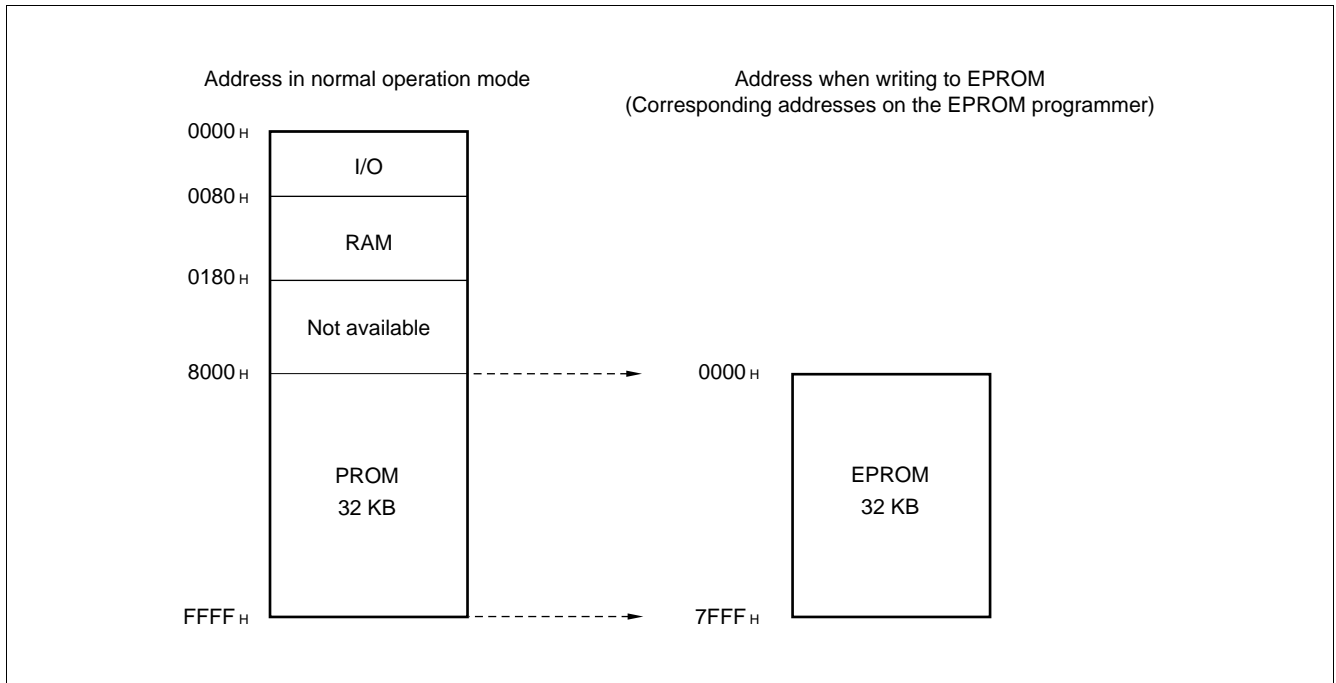
MBM27C256A-20TVM

2. Programming Socket Adapter

To program to the EPROM using an EPROM programmer, use the socket adapter (manufacturer: Sun Hayato Co., Ltd.) below.

Package	Adapter socket part number
LCC-32 (Rectangle)	ROM-32LC-28DP-S

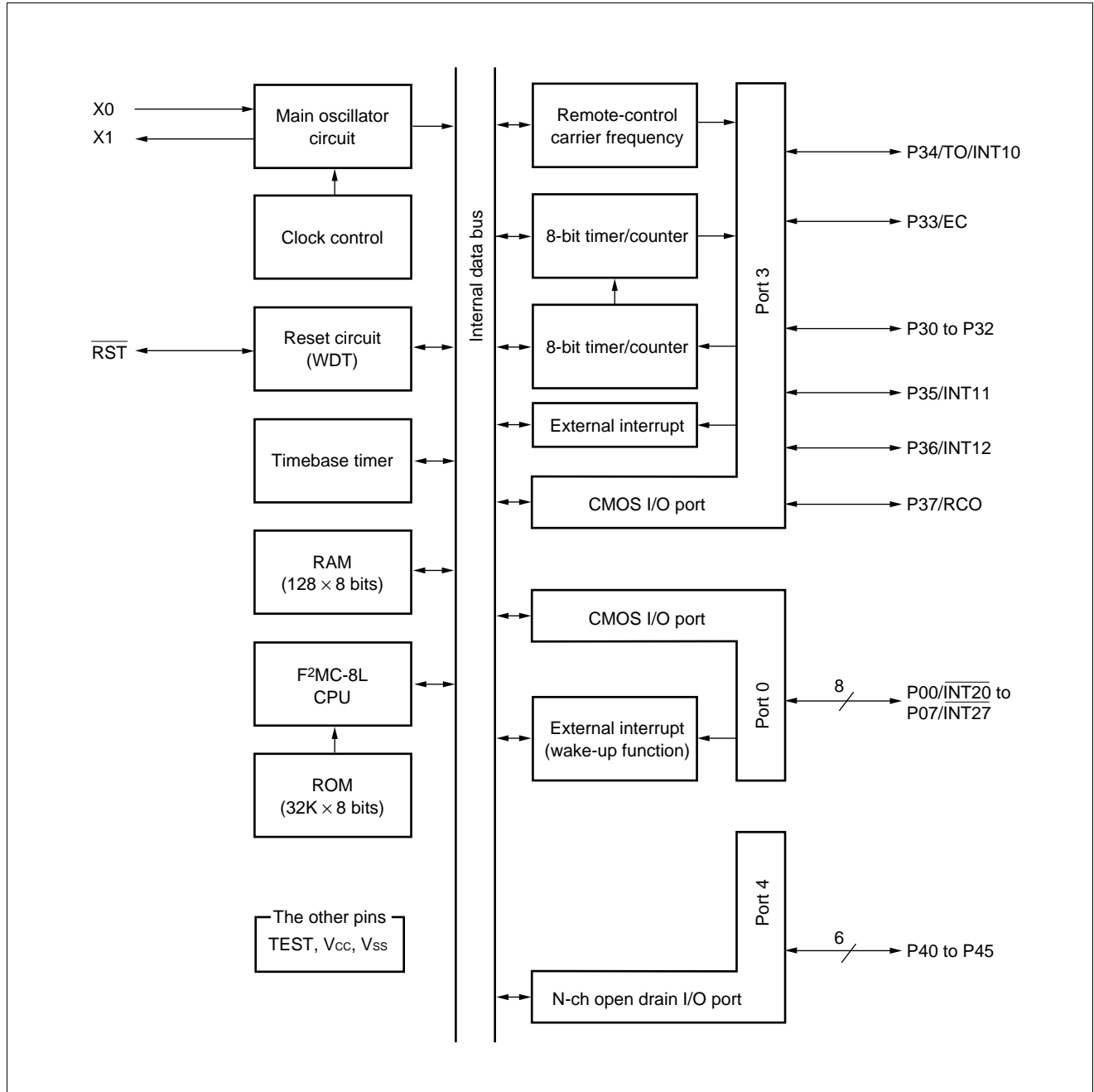
Inquiry: Sun Hayato Co., Ltd.: TEL: (81)-3-3986-0403
FAX: (81)-3-5396-9106

3. Memory Space**4. Programming to the EPROM**

- (1) Set the EPROM programmer to MBM27C256A.
- (2) Load program data into the EPROM programmer at 0006_H to 7FFF_H.
- (3) Program to 0000_H to 7FFF_H with the EPROM programmer.

MB89990 Series

■ BLOCK DIAGRAM



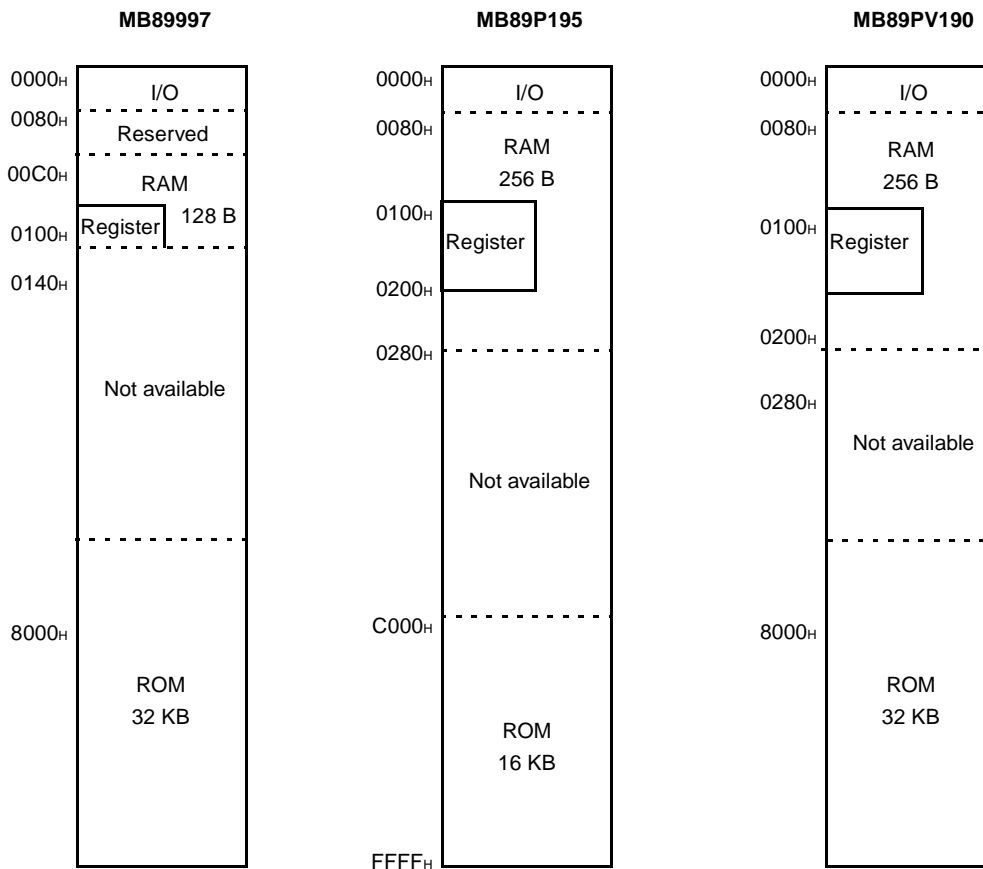
MB89990 Series

■ CPU CORE

1. Memory Space

The microcontrollers of MB89990 series offer 64 Kbytes of memory for storing all of I/O, data, and program areas. The I/O area is located at the lowest address. The data area is provide immediately above the I/O area. The data area can be divided into register, stack, and direct areas according to the application. The program area is located at exactly the opposite end of I/O area, that is, near the highest address. Provide the tables of interrupt reset vectors, and vector call instructions toward the highest address within the program area. The memory space of the MB89990 series is structured below:

• Memory Space

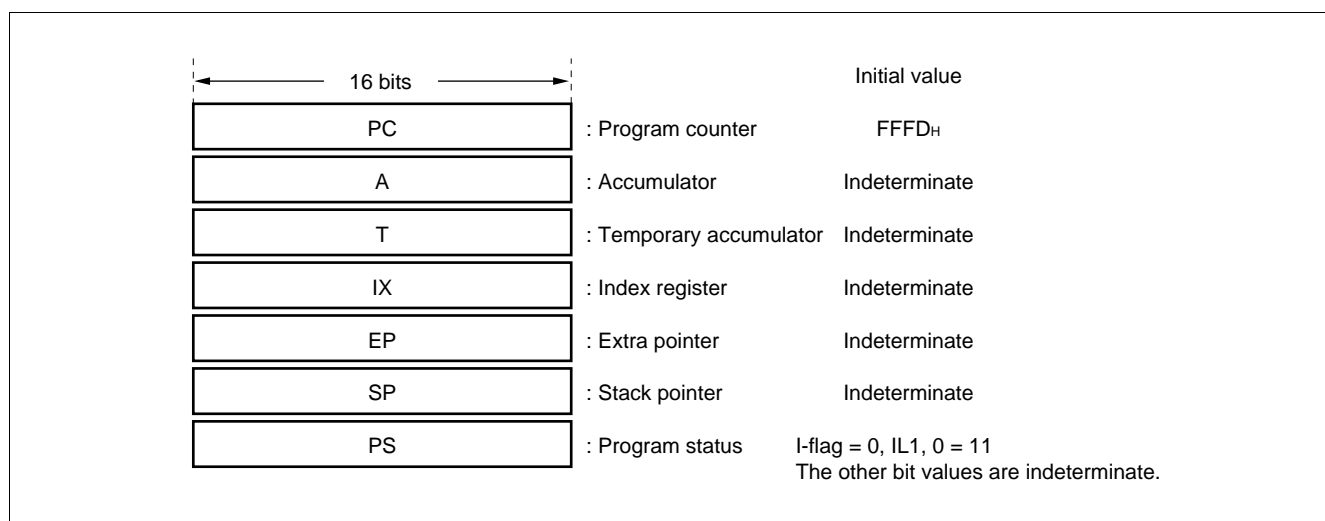


MB89990 Series

2. Registers

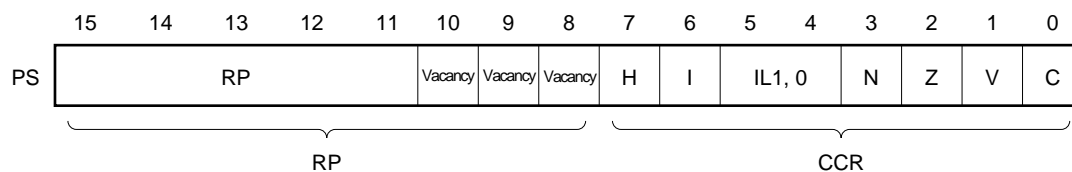
The F²MC-8L family has two types of registers; dedicated registers in the CPU and general-purpose registers in the memory. The following dedicated registers are provided:

Program counter (PC):	A 16-bit-long register for indicating the instruction storage positions
Accumulator (A):	A 16-bit-long temporary register for storing arithmetic operations, etc. When the instruction is an 8-bit data processing instruction, the lower byte is used.
Temporary accumulator (T):	A 16-bit-long register which performs arithmetic operations with the accumulator. When the instruction is an 18-bit data processing instruction, the lower byte is used.
Index register (IX):	A 16-bit-long register for index modification
Extra pointer (EP) :	A 16-bit-long pointer for indicating a memory address
Stack pointer (SP) :	A 16-bit-long register for indicating a stack area
Program status (PS) :	A 16-bit-long register for storing a register pointer, a condition code



The PS can further be divided into higher 8 bits for use as a register bank pointer (RP) and the lower 8 bits for use as a condition code register (CCR) (see the diagram below).

• Structure of the Program Status Register



MB89990 Series

The RP indicates the address of the register bank currently in use. The relationship between the pointer contents and the actual address is based on the conversion rule illustrated below.

• Rule for Conversion of Actual Addresses of the General-purpose Register Area



The CCR consists of bits indicating the results of arithmetic operations and the contents of transfer data and bits for control of CPU operations at the time of an interrupt.

H-flag: Set to '1' when a carry or a borrow from bit 3 to bit 4 occurs as a result of an arithmetic operation. Cleared to '0' otherwise. This flag is for decimal adjustment instructions.

I-flag: Interrupt is enabled when this flag is set to '1'. Interrupt is disabled when the flag is cleared to '0'. Cleared to '0' at the rest.

IL1, 0: Indicates the level of the interrupt currently allowed. Processes an interrupt only if its request level is higher than the value indicated by this bit.

IL1	ILO	Interrupt level	High-low
0	0	1	High
0	1		2
1	0	3	
1	1		

N-flag: Set to '1' if the MSB becomes 1 as the result of an arithmetic operation. Cleared to '0' when the bit is cleared to '0'.

Z-flag: Set to '1' when an arithmetic operation results in 0. Cleared otherwise.

V-flag: Set to '1' if the complement on 2 overflows as a result of an arithmetic operation. Cleared to '0' if the overflow does not occur.

C-flag: Set to '1' when a carry or a borrow from bit 7 occurs as a result of an arithmetic operation. Cleared to '0' otherwise.

Set the shift-out value in the case of a shift instruction.

MB89990 Series

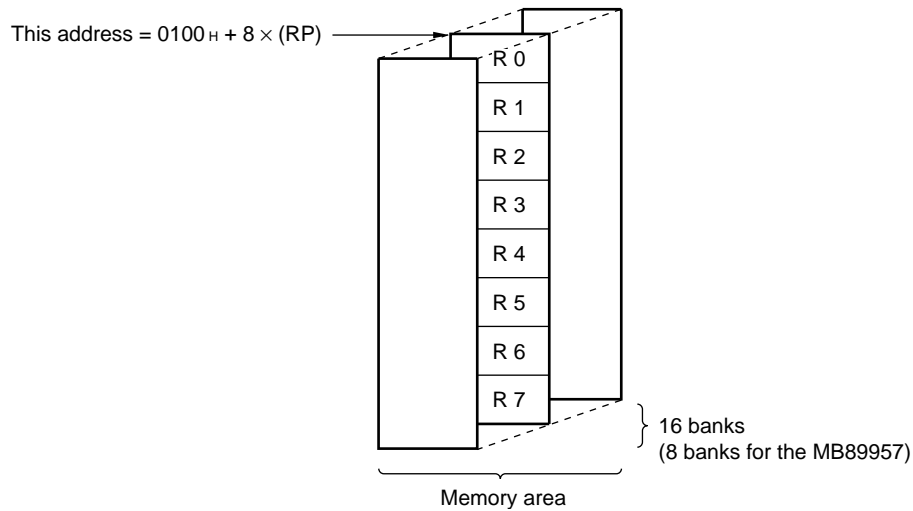
The following general-purpose registers are provided:

General-purpose registers: An 8-bit-long register for storing data

The general-purpose registers are 8 bits and located in register banks of the memory. One bank contains eight registers and up to a total of 16 banks can be used on the MB89957 (RAM 128×8 bits). The bank currently in use is indicated by the register bank pointer. (RP)

Note: The number of register banks that can be used varies with the RAM size.

• Register Bank Configuration



MB89990 Series

■ I/O MAP

Address	Read/write	Register name	Register description
00 _H	(R/W)	PDR0	Port 0 data register
01 _H	(W)	DDR0	Port 0 data direction register
02 _H to 07 _H			Vacancy
08 _H	(R/W)	STBC	Standby control register
09 _H	(R/W)	WDTC	Watchdog timer control register
0A _H	(R/W)	TBTC	Timebase timer control register
0B _H			Vacancy
0C _H	(R/W)	PDR3	Port 3 data register
0D _H	(W)	DDR3	Port 3 data direction register
0E _H	(R/W)	PDR4	Port 4 data register
0F _H to 13 _H			Vacancy
14 _H	(R/W)	RCR1	Remote-control register 1
15 _H	(R/W)	RCR2	Remote-control register 2
16 _H			Vacancy
17 _H			Vacancy
18 _H	(R/W)	T2CR	Timer 2 control register
19 _H	(R/W)	T1CR	Timer 1 control register
1A _H	(R/W)	T2DR	Timer 2 data register
1B _H	(R/W)	T1DR	Timer 1 data register
1C _H to 22 _H			Vacancy
23 _H	(R/W)	EIC1	External interrupt control register 1
24 _H	(R/W)	EIC2	External interrupt control register 2
25 _H to 31 _H			Vacancy
32 _H	(R/W)	EIE2	External interrupt 2 enable register
33 _H	(R/W)	EIF2	External interrupt 2 flag register
34 _H to 7B _H			Vacancy
7C _H	(W)	ILR1	Interrupt level register 1
7D _H	(W)	ILR2	Interrupt level register 2
7E _H	(W)	ILR3	Interrupt level register 3
7F _H			Vacancy

Note: Do not use vacancies.

MB89990 Series

■ ELECTRICAL CHARACTERISTICS

1. Absolute Maximum Rating

(V_{SS} = 0.0 V)

Parameter	Symbol	Value		Unit	Remarks
		Min.	Max.		
Power supply voltage	V _{CC}	V _{SS} - 0.3	V _{SS} + 7.0	V	
EPROM program voltage	V _{PP}	V _{SS} - 0.3	V _{SS} + 13.0	V	Applicable to TEST pin of MB89P195.
Input voltage	V _I	V _{SS} - 0.3	V _{CC} + 0.3	V	
Output voltage	V _O	V _{SS} - 0.3	V _{CC} + 0.3	V	
“L” level maximum output current	I _{OL1}	—	10	mA	Except P33 and P34
	I _{OL2}	—	20	mA	P33, P34
“L” level average output current	I _{OLAV1}	—	4	mA	Except P33 and P34 Average value (operating current × operation rate)
	I _{OLAV2}	—	8	mA	P33 and P34 Average value (operating current × operation rate)
“L” level total average output current	ΣI _{OLAV}	—	20	mA	Average value (operating current × operation rate)
“L” level maximum total output current	ΣI _{OL}	—	-100	mA	
“H” level maximum output current	I _{OH1}	—	-10	mA	Except P33, P34, and P37
	I _{OH2}	—	-20	mA	P33, P34, P37
“H” level average output current	I _{OHAV1}	—	-2	mA	Except P33, P34, and P37 Average value (operating current × operation rate)
	I _{OHAV2}	—	-4	mA	Except P33, P34, and P37 Average value (operating current × operation rate)
“H” level total average output current	ΣI _{OHAV}	—	-10	mA	Average value (operating current × operation rate)
“H” level total maximum output current	ΣI _{OH}	—	-30	mA	
Power consumption	P _D	—	200	mW	
Operating temperature	T _A	-40	+85	°C	
Storage temperature	T _{stg}	-55	+150	°C	

WARNING: Semiconductor devices can be permanently damaged by application of stress (voltage, current, temperature, etc.) in excess of absolute maximum ratings. Do not exceed these ratings.

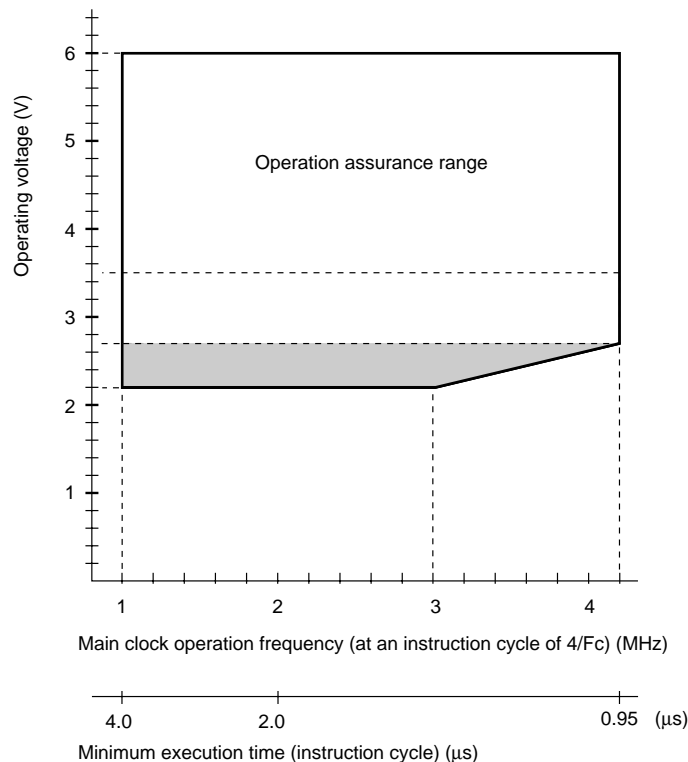
2. Recommended Operating Conditions

(V_{SS} = 0.0 V)

Parameter	Symbol	Value		Unit	Remarks
		Min.	Max.		
Power supply voltage	V _{CC}	2.2*	6.0*	V	Normal operation assurance range* MB89997
		2.7*	6.0*	V	Normal operation assurance range* MB89P195
		1.5	6.0	V	Retains the RAM state in stop mode
Operating temperature	T _A	-40	+85	°C	

* : The guaranteed normal operation range varies depending on the operation frequency and the guaranteed analog operation range. See Figure 1.

• Figure 1 Operating Voltage vs. Main Clock Operating Frequency



Note: The shaded area is assured only for the MB89997.

Figure 1 indicates the operating frequency of the external oscillator at an instruction cycle of 4/F_c.

WARNING: Recommended operating conditions are normal operating ranges for the semiconductor device. All the device's electrical characteristics are warranted when operated within these ranges.

Always use semiconductor devices within the recommended operating conditions. Operation outside these ranges may adversely affect reliability and could result in device failure.

No warranty is made with respect to uses, operating conditions, or combinations not represented on the data sheet. Users considering application outside the listed conditions are advised to contact their FUJITSU representative beforehand.

MB89990 Series

3. DC Characteristics

($V_{CC} = +5.0\text{ V}$, $V_{SS} = 0.0\text{ V}$, $T_A = -40^\circ\text{C}$ to $+85^\circ\text{C}$)

Parameter	Symbol	Pin name	Condition	Value			Unit	Remarks
				Min.	Typ.	Max.		
“H” level input voltage	V_{IH}	P00 to P07, P30 to P37, TEST	—	$0.7 V_{CC}$	—	$V_{CC} + 0.3$	V	
	V_{IHS}	RST, INT10 to INT12, EC, INT20 to INT27	—	$0.8 V_{CC}$	—	$V_{CC} + 0.3$	V	
“L” level input voltage	V_{IL}	P00 to P03, P33 to P36, TEST	—	$V_{SS} - 0.3$	—	$0.3 V_{CC}$	V	
	V_{ILS}	RST, INT10 to INT12, EC, INT 20 to INT27	—	$V_{SS} - 0.3$	—	$0.2 V_{CC}$	V	
Open-drain output pin application voltage	V_D	P40 to P44	—	$V_{SS} - 0.3$	—	$V_{SS} + 0.3$	V	
“H” level output voltage	V_{OH1}	P00 to P07, P30 to P32, P35, P36	$I_{OH} = -2.0\text{ mA}$	4.0	—	—	V	
	V_{OH2}	P33, P34	$I_{OH} = -4.0\text{ mA}$	4.0	—	—	V	
	V_{OH3}	P37	$I_{OH} = -4.0\text{ mA}$	4.0	—	—	V	
“L” level output voltage	V_{OL1}	P00 to P07, P30 to P32, P35 to P37	$I_{OL} = 4.0\text{ mA}$	—	—	0.4	V	
	V_{OL2}	RST	$I_{OL} = 4.0\text{ mA}$	—	—	0.4	V	
	V_{OL3}	P33, P34	$I_{OL} = 12\text{ mA}$	—	—	0.4	V	
	V_{OL4}	P40 to P45	$I_{OL} = 8\text{ mA}$	—	—	0.4	V	
Input leakage current (Hi-z output leakage current)	I_{LI1}	P00 to P07, P30 to P37, TEST	$0.45\text{ V} < V_I < V_{CC}$	—	—	± 5	μA	Without pull-up resistor
Open-drain output leakage current (Off state)	I_{LD1}	P40 to P45	$0.45\text{ V} < V_I < V_{CC}$	—	—	± 5	μA	Without pull-up resistor
Pull-up resistance	R_{PULL}	P00 to P07, P30 to P37, P40 to P45, RST	$V_I = 0.0\text{ V}$	25	50	100	$\text{k}\Omega$	

(Continued)

MB89990 Series

(Continued)

(V_{CC} = 5.0 V, V_{SS} = 0.0 V, T_A = -40°C to +85°C)

Parameter	Symbol	Pin name	Condition	Value			Unit	Remarks
				Min.	Typ.	Max.		
Power supply voltage*	I _{CC}	V _{CC}	F _C = 4.2 MHz	—	5	10	mA	MB89997
	I _{CCS}			—	7	12	mA	MB89P195
	I _{CCH}		F _C = 4.2 MHz	—	3	7	mA	Sleep mode
Input capacitance	C _{IN}	Except AVR, AV _{SS} , V _{CC} , and V _{SS}	T _A = +25 °C f = 1 MHz	—	—	1	μA	Stop mode
			f = 1 MHz	—	10	—	pF	

* : For the MB89PV190, the current consumption of a connected EPROM and ICE is not included.
The measurement condition of the power supply current are set as V_{CC} = 5.0 V with an external clock.

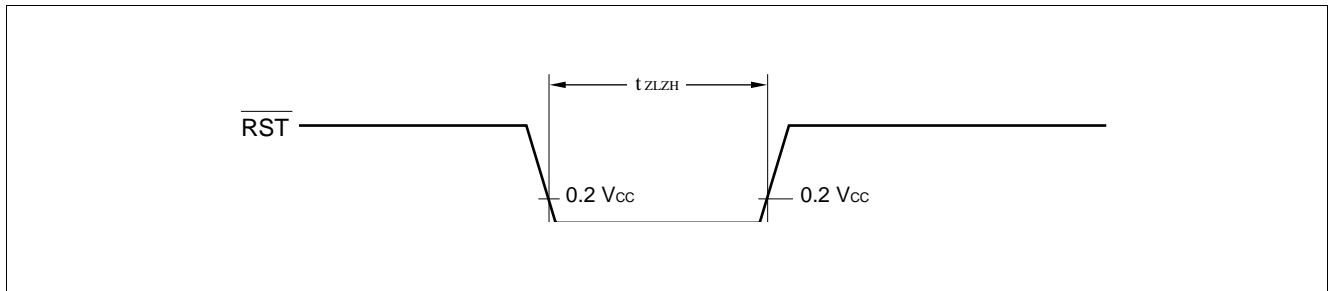
4. AC Characteristics

(1) Reset Timing

(V_{CC} = +5.0 V ± 10%, V_{SS} = 0.0 V, T_A = -40°C to +85°C)

Parameter	Symbol	Condition	Value		Unit	Remarks
			Min.	Max.		
RST "L" pulse width	t _{ZLZH}	—	16 t _{HCYL}	—	ns	

Note: t_{HCYL} is the oscillation period (1/F_C) input to the X0 pin.



MB89990 Series

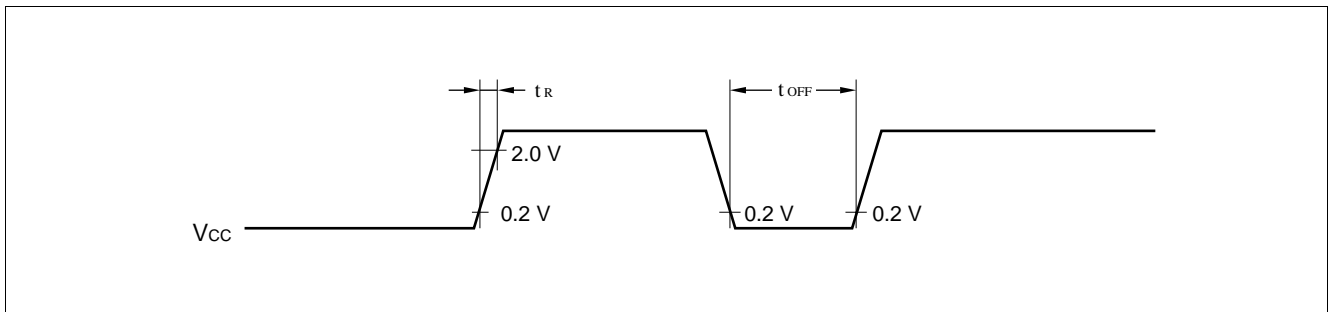
(2) Power-on Reset

($V_{SS} = 0.0\text{ V}$, $T_A = -40^\circ\text{C}$ to $+85^\circ\text{C}$)

Parameter	Symbol	Condition	Value		Unit	Remarks
			Min.	Max.		
Power supply rising time	t_R	—	—	50	ms	
Power supply cut-off time	t_{OFF}	—	1	—	ms	Due to repeated operations

Note: Make sure that power supply rises within the selected oscillation stabilization time.

If power supply voltage needs to be varied in the course of operation, a smooth voltage rise is recommended.



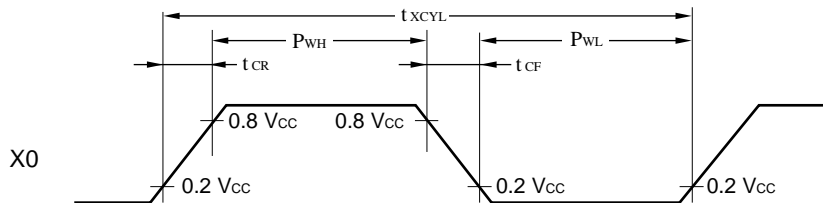
MB89990 Series

(3) Clock Timing

($V_{SS} = 0.0 \text{ V}$, $T_A = -40^\circ\text{C}$ to $+85^\circ\text{C}$)

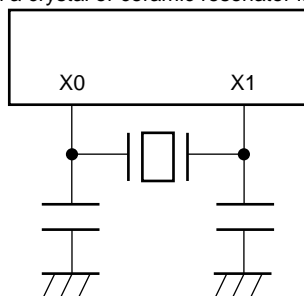
Parameter	Symbol	Pin name	Condition	Value		Unit	Remarks
				Min.	Max.		
Clock frequency	F_C	X0, X1	—	1	4.2	MHz	
Clock cycle time	t_{XCYL}	X0, X1	—	238	1000	ns	
Input clock pulse width	P_{WH} P_{WL}	X0	—	20	—	ns	External clock
Input clock pulse rising/falling time	t_{CR} t_{CF}	X0	—	—	10	ns	External clock

• Timings Conditions

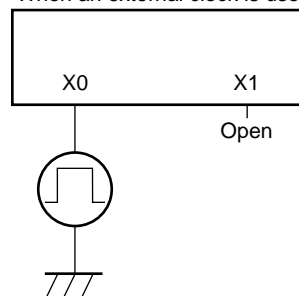


• Clock Configurations

When a crystal or ceramic resonator is used



When an external clock is used



(4) Instruction Cycle

($V_{SS} = 0.0 \text{ V}$, $T_A = -40^\circ\text{C}$ to $+85^\circ\text{C}$)

Parameter	Symbol	Value (typical)	Unit	Remarks
Instruction cycle (minimum execution time)	t_{inst}	$4/F_C$	μs	$t_{inst} = 0.95 \mu\text{s}$ when operating at $F_C = 4.2 \text{ MHz}$

MB89990 Series

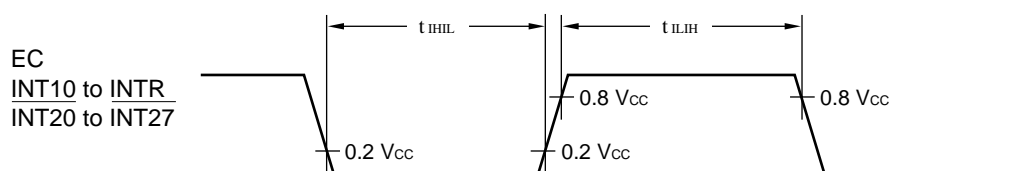
(5) Peripheral Input Timing

($V_{CC} = 5.0 V \pm 10\%$, $V_{SS} = 0.0 V$, $T_A = -40^\circ C$ to $+85^\circ C$)

Parameter	Symbol	Pin name	Value			Unit	Remarks
			Min.	Max.			
Peripheral input "H" pulse width 1	t_{ILIH1}	EC, INT10 to INT12, INT20 to INT27	$2 t_{inst}^*$	—		μs	
Peripheral input "L" pulse width 1	t_{IHIL1}		$2 t_{inst}^*$	—		μs	

* : For information on t_{inst} , see "(4) Instruction Cycles."

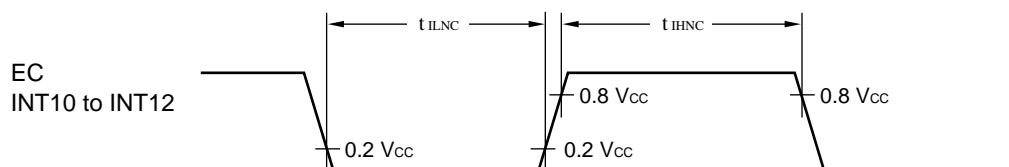
• Peripheral Input Timing Diagram



($V_{CC} = 5.0 V \pm 10\%$, $V_{SS} = 0.0 V$, $T_A = -40^\circ C$ to $+85^\circ C$)

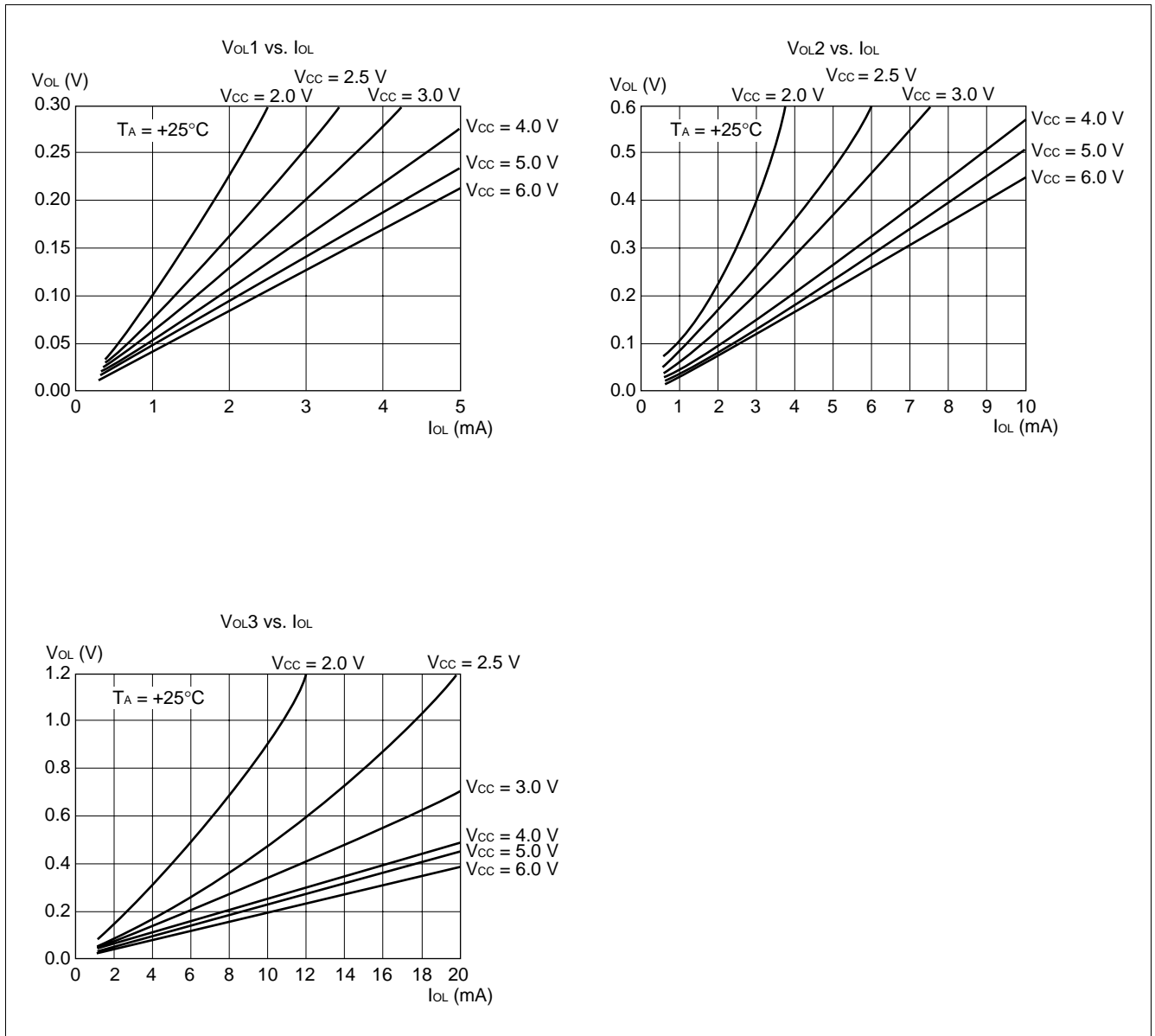
Parameter	Symbol	Pin name	Value			Unit	Remarks
			Min.	Typ.	Max.		
Peripheral input "H" noise limit width	t_{IHNC}	EC, INT10 to INT12	7	15	23	ns	
Peripheral input "L" noise limit width	t_{ILNC}	EC, INT10 to INT12, INT20 to INT27	7	15	23	ns	

• Peripheral Input Timing Diagram



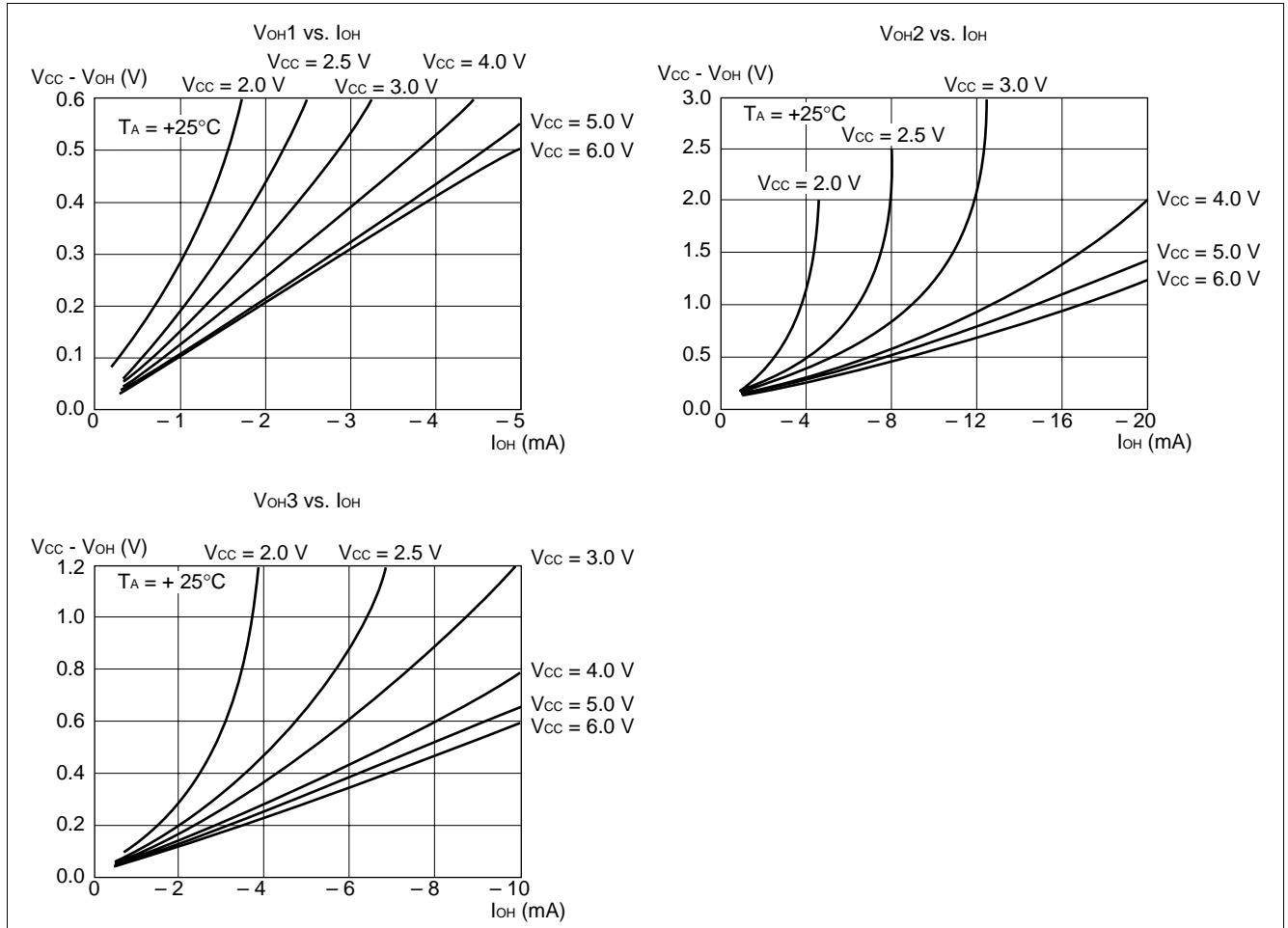
EXAMPLE CHARACTERISTICS

(1) "L" Level Output Voltage

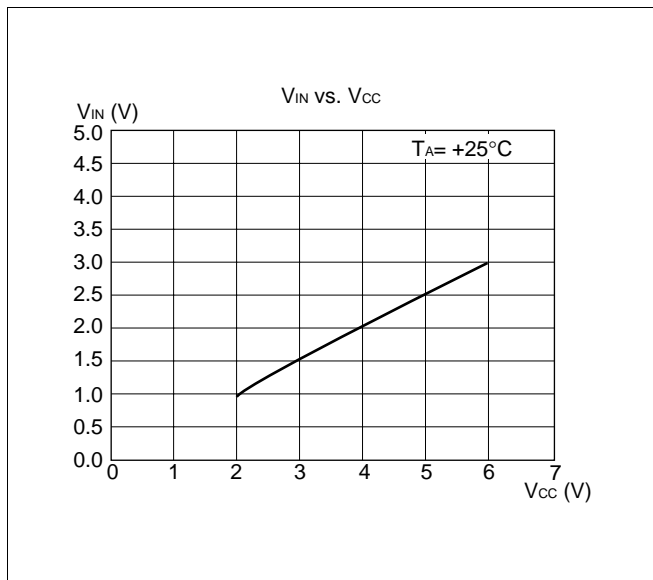


MB89990 Series

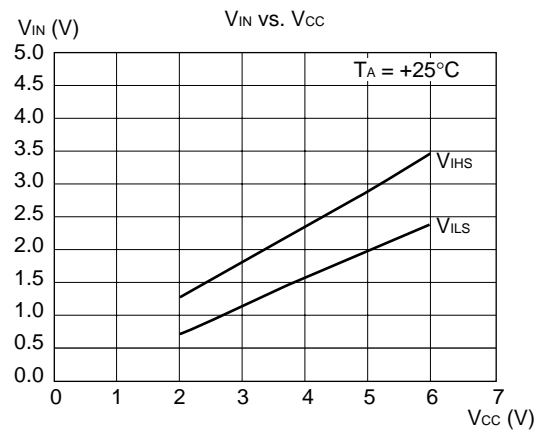
(2) "H" Level Output Voltage



(3) "H" Level Input Voltage/"L" Level Input Voltage (CMOS Input)



(4) "H" Level Input Voltage/"L" Level Input Voltage (Hysteresis Input)

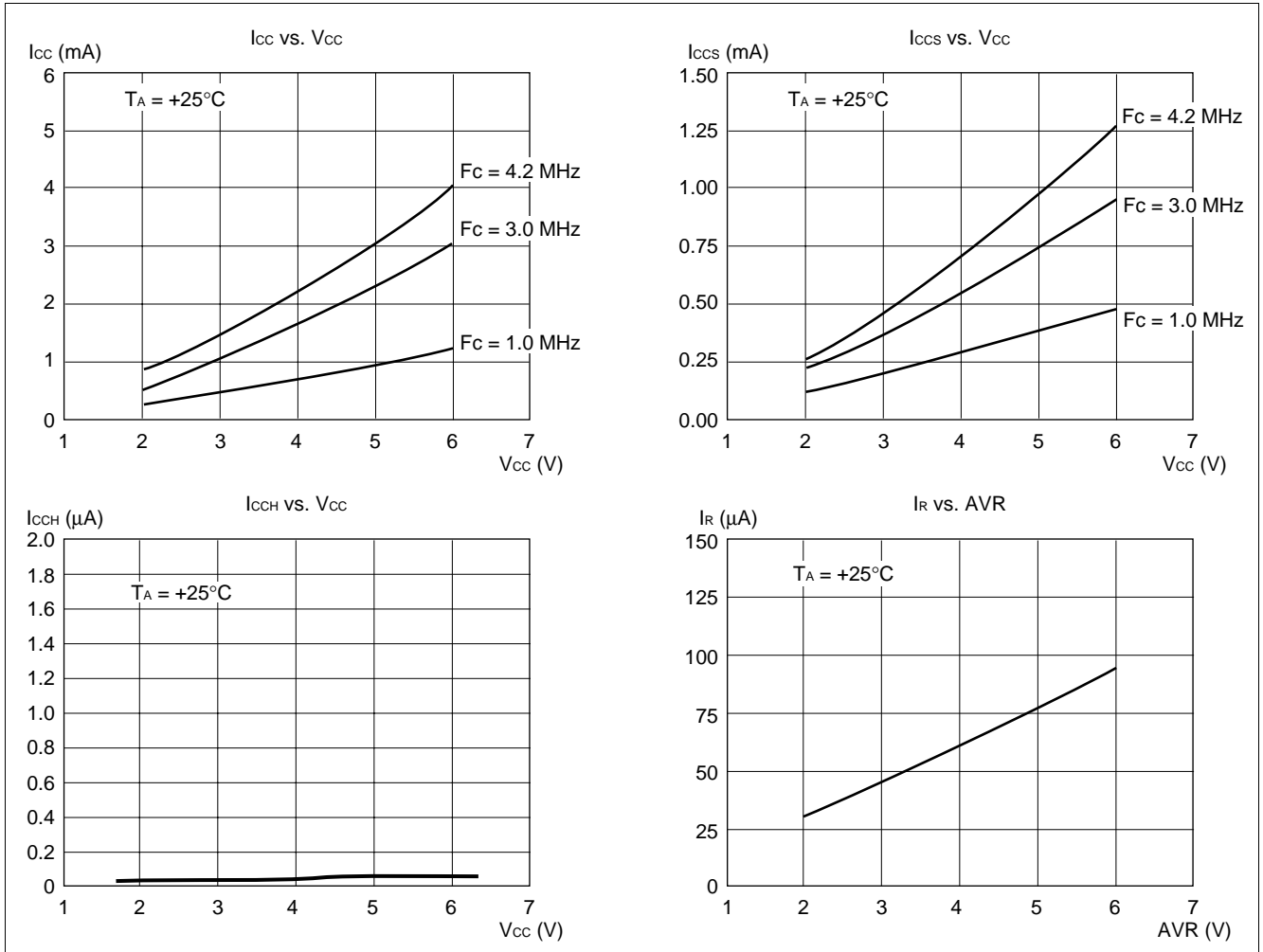


V_{IHS}: Threshold when input voltage in hysteresis characteristics is set to "H" level

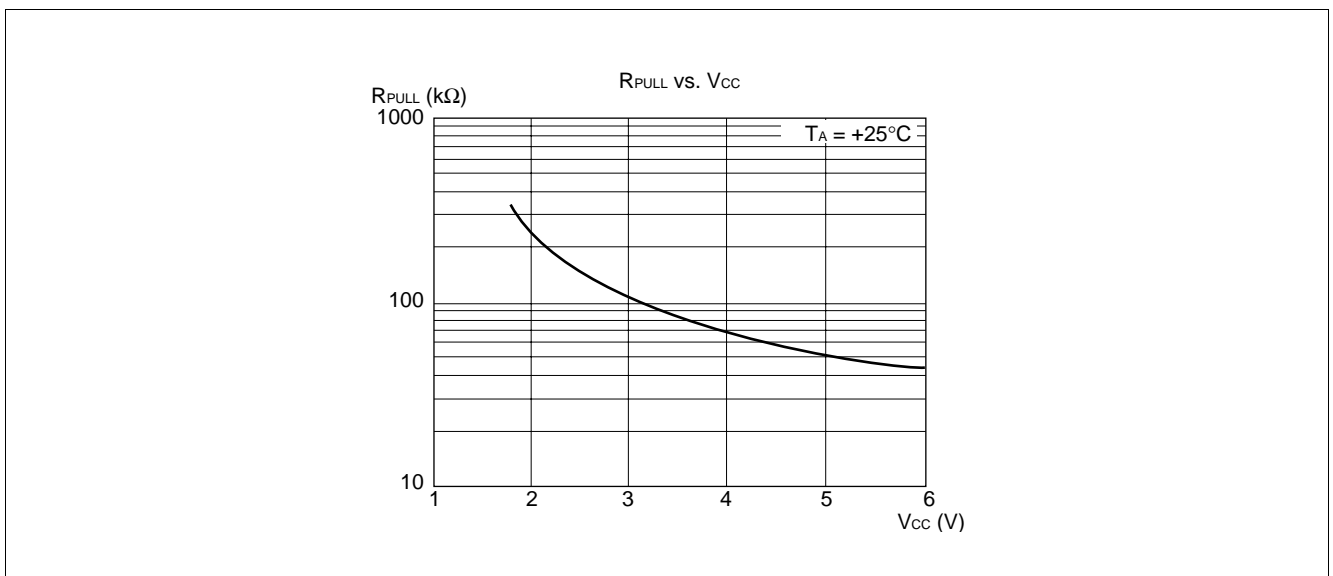
V_{ILS}: Threshold when input voltage in hysteresis characteristics is set to "L" level

MB89990 Series

(5) Power Supply Current (External Clock)



(3) Pull-up Resistance



MB89990 Series

■ INSTRUCTIONS

Execution instructions can be divided into the following four groups:

- Transfer
- Arithmetic operation
- Branch
- Others

Table 1 lists symbols used for notation for instructions.

Table 1 Instruction Symbols

Symbol	Meaning
dir	Direct address (8 bits)
off	Offset (8 bits)
ext	Extended address (16 bits)
#vct	Vector table number (3 bits)
#d8	Immediate data (8 bits)
#d16	Immediate data (16 bits)
dir: b	Bit direct address (8:3 bits)
rel	Branch relative address (8 bits)
@	Register indirect (Example: @A, @IX, @EP)
A	Accumulator A (Whether its length is 8 or 16 bits is determined by the instruction in use.)
AH	Upper 8 bits of accumulator A (8 bits)
AL	Lower 8 bits of accumulator A (8 bits)
T	Temporary accumulator T (Whether its length is 8 or 16 bits is determined by the instruction in use.)
TH	Upper 8 bits of temporary accumulator T (8 bits)
TL	Lower 8 bits of temporary accumulator T (8 bits)
IX	Index register IX (16 bits)

(Continued)

MB89990 Series

(Continued)

Symbol	Meaning
EP	Extra pointer EP (16 bits)
PC	Program counter PC (16 bits)
SP	Stack pointer SP (16 bits)
PS	Program status PS (16 bits)
dr	Accumulator A or index register IX (16 bits)
CCR	Condition code register CCR (8 bits)
RP	Register bank pointer RP (5 bits)
Ri	General-purpose register Ri (8 bits, i = 0 to 7)
×	Indicates that the very × is the immediate data. (Whether its length is 8 or 16 bits is determined by the instruction in use.)
(×)	Indicates that the contents of × is the target of accessing. (Whether its length is 8 or 16 bits is determined by the instruction in use.)
((×))	The address indicated by the contents of × is the target of accessing. (Whether its length is 8 or 16 bits is determined by the instruction in use.)

Columns indicate the following:

Mnemonic: Assembler notation of an instruction

~: The number of instructions

#: The number of bytes

Operation: Operation of an instruction

TL, TH, AH: A content change when each of the TL, TH, and AH instructions is executed. Symbols in the column indicate the following:

- “-” indicates no change.
- dH is the 8 upper bits of operation description data.
- AL and AH must become the contents of AL and AH prior to the instruction executed.
- 00 becomes 00.

N, Z, V, C: An instruction of which the corresponding flag will change. If + is written in this column, the relevant instruction will change its corresponding flag.

OP code: Code of an instruction. If an instruction is more than one code, it is written according to the following rule:

Example: 48 to 4F ← This indicates 48, 49, ... 4F.

MB89990 Series

Table 2 Transfer Instructions (48 instructions)

Mnemonic	~	#	Operation	TL	TH	AH	NZVC	OP code
MOV dir,A	3	2	(dir) ← (A)	-	-	-	-----	45
MOV @IX +off,A	4	2	((IX) +off) ← (A)	-	-	-	-----	46
MOV ext,A	4	3	(ext) ← (A)	-	-	-	-----	61
MOV @EP,A	3	1	((EP)) ← (A)	-	-	-	-----	47
MOV Ri,A	3	1	(Ri) ← (A)	-	-	-	-----	48 to 4F
MOV A,#d8	2	2	(A) ← d8	AL	-	-	++--	04
MOV A,dir	3	2	(A) ← (dir)	AL	-	-	++--	05
MOV A,@IX +off	4	2	(A) ← ((IX) +off)	AL	-	-	++--	06
MOV A,ext	4	3	(A) ← (ext)	AL	-	-	++--	60
MOV A,@A	3	1	(A) ← ((A))	AL	-	-	++--	92
MOV A,@EP	3	1	(A) ← ((EP))	AL	-	-	++--	07
MOV A,Ri	3	1	(A) ← (Ri)	AL	-	-	++--	08 to 0F
MOV dir,#d8	4	3	(dir) ← d8	-	-	-	-----	85
MOV @IX +off,#d8	5	3	((IX) +off) ← d8	-	-	-	-----	86
MOV @EP,#d8	4	2	((EP)) ← d8	-	-	-	-----	87
MOV Ri,#d8	4	2	(Ri) ← d8	-	-	-	-----	88 to 8F
MOVW dir,A	4	2	(dir) ← (AH),(dir + 1) ← (AL)	-	-	-	-----	D5
MOVW @IX +off,A	5	2	((IX) +off) ← (AH), ((IX) +off + 1) ← (AL)	-	-	-	-----	D6
MOVW ext,A	5	3	(ext) ← (AH),(ext + 1) ← (AL)	-	-	-	-----	D4
MOVW @EP,A	4	1	((EP)) ← (AH),((EP) + 1) ← (AL)	-	-	-	-----	D7
MOVW EP,A	2	1	(EP) ← (A)	-	-	-	-----	E3
MOVW A,#d16	3	3	(A) ← d16	AL	AH	dH	++--	E4
MOVW A,dir	4	2	(AH) ← (dir), (AL) ← (dir + 1)	AL	AH	dH	++--	C5
MOVW A,@IX +off	5	2	(AH) ← ((IX) +off), (AL) ← ((IX) +off + 1)	AL	AH	dH	++--	C6
MOVW A,ext	5	3	(AH) ← (ext), (AL) ← (ext + 1)	AL	AH	dH	++--	C4
MOVW A,@A	4	1	(AH) ← ((A)), (AL) ← ((A) + 1)	AL	AH	dH	++--	93
MOVW A,@EP	4	1	(AH) ← ((EP)), (AL) ← ((EP) + 1)	AL	AH	dH	++--	C7
MOVW A,EP	2	1	(A) ← (EP)	-	-	dH	-----	F3
MOVW EP,#d16	3	3	(EP) ← d16	-	-	-	-----	E7
MOVW IX,A	2	1	(IX) ← (A)	-	-	-	-----	E2
MOVW A,IX	2	1	(A) ← (IX)	-	-	dH	-----	F2
MOVW SP,A	2	1	(SP) ← (A)	-	-	-	-----	E1
MOVW A,SP	2	1	(A) ← (SP)	-	-	dH	-----	F1
MOV @A,T	3	1	((A)) ← (T)	-	-	-	-----	82
MOVW @A,T	4	1	((A)) ← (TH),((A) + 1) ← (TL)	-	-	-	-----	83
MOVW IX,#d16	3	3	(IX) ← d16	-	-	-	-----	E6
MOVW A,PS	2	1	(A) ← (PS)	-	-	dH	-----	70
MOVW PS,A	2	1	(PS) ← (A)	-	-	-	++++	71
MOVW SP,#d16	3	3	(SP) ← d16	-	-	-	-----	E5
SWAP	2	1	(AH) ↔ (AL)	-	-	AL	-----	10
SETB dir: b	4	2	(dir): b ← 1	-	-	-	-----	A8 to AF
CLRB dir: b	4	2	(dir): b ← 0	-	-	-	-----	A0 to A7
XCH A,T	2	1	(AL) ↔ (TL)	AL	-	-	-----	42
XCHW A,T	3	1	(A) ↔ (T)	AL	AH	dH	-----	43
XCHW A,EP	3	1	(A) ↔ (EP)	-	-	dH	-----	F7
XCHW A,IX	3	1	(A) ↔ (IX)	-	-	dH	-----	F6
XCHW A,SP	3	1	(A) ↔ (SP)	-	-	dH	-----	F5
MOVW A,PC	2	1	(A) ← (PC)	-	-	dH	-----	F0

Notes: • During byte transfer to A, T ← A is restricted to low bytes.

- Operands in more than one operand instruction must be stored in the order in which their mnemonics are written. (Reverse arrangement of F²MC-8 family)

MB89990 Series

Table 3 Arithmetic Operation Instructions (62 instructions)

Mnemonic	~	#	Operation	TL	TH	AH	NZVC	OP code
ADDC A,Ri	3	1	$(A) \leftarrow (A) + (Ri) + C$	-	-	-	++++	28 to 2F
ADDC A,#d8	2	2	$(A) \leftarrow (A) + d8 + C$	-	-	-	++++	24
ADDC A,dir	3	2	$(A) \leftarrow (A) + (dir) + C$	-	-	-	++++	25
ADDC A,@IX +off	4	2	$(A) \leftarrow (A) + ((IX) + off) + C$	-	-	-	++++	26
ADDC A,@EP	3	1	$(A) \leftarrow (A) + ((EP)) + C$	-	-	-	++++	27
ADDCW A	3	1	$(A) \leftarrow (A) + (T) + C$	-	-	dH	++++	23
ADDC A	2	1	$(AL) \leftarrow (AL) + (TL) + C$	-	-	-	++++	22
SUBC A,Ri	3	1	$(A) \leftarrow (A) - (Ri) - C$	-	-	-	++++	38 to 3F
SUBC A,#d8	2	2	$(A) \leftarrow (A) - d8 - C$	-	-	-	++++	34
SUBC A,dir	3	2	$(A) \leftarrow (A) - (dir) - C$	-	-	-	++++	35
SUBC A,@IX +off	4	2	$(A) \leftarrow (A) - ((IX) + off) - C$	-	-	-	++++	36
SUBC A,@EP	3	1	$(A) \leftarrow (A) - ((EP)) - C$	-	-	-	++++	37
SUBCW A	3	1	$(A) \leftarrow (T) - (A) - C$	-	-	dH	++++	33
SUBC A	2	1	$(AL) \leftarrow (TL) - (AL) - C$	-	-	-	++++	32
INC Ri	4	1	$(Ri) \leftarrow (Ri) + 1$	-	-	-	+++-	C8 to CF
INCW EP	3	1	$(EP) \leftarrow (EP) + 1$	-	-	-	----	C3
INCW IX	3	1	$(IX) \leftarrow (IX) + 1$	-	-	-	----	C2
INCW A	3	1	$(A) \leftarrow (A) + 1$	-	-	dH	++--	C0
DEC Ri	4	1	$(Ri) \leftarrow (Ri) - 1$	-	-	-	+++-	D8 to DF
DECW EP	3	1	$(EP) \leftarrow (EP) - 1$	-	-	-	----	D3
DECW IX	3	1	$(IX) \leftarrow (IX) - 1$	-	-	-	----	D2
DECW A	3	1	$(A) \leftarrow (A) - 1$	-	-	dH	++--	D0
MULU A	19	1	$(A) \leftarrow (AL) \times (TL)$	-	-	dH	----	01
DIVU A	21	1	$(A) \leftarrow (T) / (AL), MOD \rightarrow (T)$	dL	00	00	----	11
ANDW A	3	1	$(A) \leftarrow (A) \wedge (T)$	-	-	dH	++R-	63
ORW A	3	1	$(A) \leftarrow (A) \vee (T)$	-	-	dH	++R-	73
XORW A	3	1	$(A) \leftarrow (A) \nabla (T)$	-	-	dH	++R-	53
CMP A	2	1	$(TL) - (AL)$	-	-	-	++++	12
CMPW A	3	1	$(T) - (A)$	-	-	-	++++	13
RORC A	2	1	$\boxed{\rightarrow C \rightarrow A}$	-	-	-	++-+	03
ROLC A	2	1	$\boxed{\leftarrow C \leftarrow A}$	-	-	-	++-+	02
CMP A,#d8	2	2	$(A) - d8$	-	-	-	++++	14
CMP A,dir	3	2	$(A) - (dir)$	-	-	-	++++	15
CMP A,@EP	3	1	$(A) - ((EP))$	-	-	-	++++	17
CMP A,@IX +off	4	2	$(A) - ((IX) + off)$	-	-	-	++++	16
CMP A,Ri	3	1	$(A) - (Ri)$	-	-	-	++++	18 to 1F
DAA	2	1	Decimal adjust for addition	-	-	-	++++	84
DAS	2	1	Decimal adjust for subtraction	-	-	-	++++	94
XOR A	2	1	$(A) \leftarrow (AL) \nabla (TL)$	-	-	-	++R-	52
XOR A,#d8	2	2	$(A) \leftarrow (AL) \nabla d8$	-	-	-	++R-	54
XOR A,dir	3	2	$(A) \leftarrow (AL) \nabla (dir)$	-	-	-	++R-	55
XOR A,@EP	3	1	$(A) \leftarrow (AL) \nabla ((EP))$	-	-	-	++R-	57
XOR A,@IX +off	4	2	$(A) \leftarrow (AL) \nabla ((IX) + off)$	-	-	-	++R-	56
XOR A,Ri	3	1	$(A) \leftarrow (AL) \nabla (Ri)$	-	-	-	++R-	58 to 5F
AND A	2	1	$(A) \leftarrow (AL) \wedge (TL)$	-	-	-	++R-	62
AND A,#d8	2	2	$(A) \leftarrow (AL) \wedge d8$	-	-	-	++R-	64
AND A,dir	3	2	$(A) \leftarrow (AL) \wedge (dir)$	-	-	-	++R-	65

(Continued)

MB89990 Series

(Continued)

Mnemonic	~	#	Operation	TL	TH	AH	NZVC	OP code
AND A,@EP	3	1	$(A) \leftarrow (AL) \wedge ((EP))$	-	-	-	++R-	67
AND A,@IX +off	4	2	$(A) \leftarrow (AL) \wedge ((IX) +off)$	-	-	-	++R-	66
AND A,Ri	3	1	$(A) \leftarrow (AL) \wedge (Ri)$	-	-	-	++R-	68 to 6F
OR A	2	1	$(A) \leftarrow (AL) \vee (TL)$	-	-	-	++R-	72
OR A,#d8	2	2	$(A) \leftarrow (AL) \vee d8$	-	-	-	++R-	74
OR A,dir	3	2	$(A) \leftarrow (AL) \vee (dir)$	-	-	-	++R-	75
OR A,@EP	3	1	$(A) \leftarrow (AL) \vee ((EP))$	-	-	-	++R-	77
OR A,@IX +off	4	2	$(A) \leftarrow (AL) \vee ((IX) +off)$	-	-	-	++R-	76
OR A,Ri	3	1	$(A) \leftarrow (AL) \vee (Ri)$	-	-	-	++R-	78 to 7F
CMP dir,#d8	5	3	$(dir) - d8$	-	-	-	++++	95
CMP @EP,#d8	4	2	$((EP)) - d8$	-	-	-	++++	97
CMP @IX +off,#d8	5	3	$((IX) +off) - d8$	-	-	-	++++	96
CMP Ri,#d8	4	2	$(Ri) - d8$	-	-	-	++++	98 to 9F
INCW SP	3	1	$(SP) \leftarrow (SP) + 1$	-	-	-	----	C1
DECW SP	3	1	$(SP) \leftarrow (SP) - 1$	-	-	-	----	D1

Table 4 Branch Instructions (17 instructions)

Mnemonic	~	#	Operation	TL	TH	AH	NZVC	OP code
BZ/BEQ rel	3	2	If Z = 1 then PC \leftarrow PC + rel	-	-	-	----	FD
BNZ/BNE rel	3	2	If Z = 0 then PC \leftarrow PC + rel	-	-	-	----	FC
BC/BLO rel	3	2	If C = 1 then PC \leftarrow PC + rel	-	-	-	----	F9
BNC/BHS rel	3	2	If C = 0 then PC \leftarrow PC + rel	-	-	-	----	F8
BN rel	3	2	If N = 1 then PC \leftarrow PC + rel	-	-	-	----	FB
BP rel	3	2	If N = 0 then PC \leftarrow PC + rel	-	-	-	----	FA
BLT rel	3	2	If $\forall \forall N=1$ then PC \leftarrow PC + rel	-	-	-	----	FF
BGE rel	3	2	If $\forall \forall N=0$ then PC \leftarrow PC + rel	-	-	-	----	FE
BBC dir: b,rel	5	3	If (dir: b)=0 then PC \leftarrow PC + rel	-	-	-	-+--	B0 to B7
BBS dir: b,rel	5	3	If (dir: b)=1 then PC \leftarrow PC + rel	-	-	-	-+--	B8 to BF
JMP @A	2	1	$(PC) \leftarrow (A)$	-	-	-	----	E0
JMP ext	3	3	$(PC) \leftarrow ext$	-	-	-	----	21
CALLV #vct	6	1	Vector call	-	-	-	----	E8 to EF
CALL ext	6	3	Subroutine call	-	-	-	----	31
XCHW A,PC	3	1	$(PC) \leftarrow (A), (A) \leftarrow (PC) + 1$	-	-	dH	----	F4
RET	4	1	Return from subroutine	-	-	-	----	20
RETI	6	1	Return from interrupt	-	-	-	Restore	30

Table 5 Other Instructions (9 instructions)

Mnemonic	~	#	Operation	TL	TH	AH	NZVC	OP code
PUSHW A	4	1		-	-	-	----	40
POPW A	4	1		-	-	dH	----	50
PUSHW IX	4	1		-	-	-	----	41
POPW IX	4	1		-	-	-	----	51
NOP	1	1		-	-	-	----	00
CLRC	1	1		-	-	-	----R	81
SETC	1	1		-	-	-	----S	91
CLRI	1	1		-	-	-	----	80
SETI	1	1		-	-	-	----	90

MB89990 Series

■ INSTRUCTION MAP

L	H	0	1	2	3	4	5	6	7	8	9	A	B	C	D	E	F
0	NOP	SWAP	RET	RETI	PUSHW A	POPW A	MOV A,ext A	MOVW A,PS A	CLRI	SETI	CLRB dir: 0	BBC dir: 0,rel	INCW A	DECW A	JMP @A	MOVW A,PC	
1	MULU A	DIVU A	JMP addr16 A	CALL addr16 IX	PUSHW IX	POPW IX	MOV ext,A A	MOVW PS,A A	CLRC	SETC	CLRB dir: 1	BBC dir: 1,rel	INCW SP	DECW SP	MOVW SPA	MOVW A,SP	
2	ROLC A	CMP A	ADDC A	SUBC A	XCH A, T	XOR A	AND A	OR A	MOV @A,T A	MOV @A,T A	MOV A,@A A	CLRB dir: 2	BBC dir: 2,rel	INCW IX	DECW IX	MOVW IX,A	MOVW A,IX
3	RORC A	CMPW A	ADDCW A	SUBCW A	XCHW A, T	XORW A	ANDW A	ORW A	MOVW @A,T A	MOVW @A,T A	MOVW A,@A A	CLRB dir: 3	BBC dir: 3,rel	INCW EP	DECW EP	MOVW EPA	MOVW A,EP
4	MOV A,#d8	CMP A,#d8	ADDC A,#d8	SUBC A,#d8	XOR A,#d8	AND A,#d8	OR A,#d8	DAA	MOV A,#d8 A,dir	DAS	CLRB dir: 4	BBC dir: 4,rel	MOVW A,ext	MOVW ext,A	MOVW A,#d16	XCHW A,PC	
5	MOV A,dir	CMP A,dir	ADDC A,dir	SUBC A,dir	XOR A,dir	AND A,dir	OR A,dir	MOV dir,#d8 A,dir	CMP dir,#d8	CMP dir,#d8	CLRB dir: 5	BBC dir: 5,rel	MOVW A,dir	MOVW dir,A	MOVW SP,#d16	XCHW A,SP	
6	MOV A,@IX+ d	CMP A,@IX+ d	ADDC A,@IX+ d	SUBC A,@IX+ d	XOR A,@IX+ d	AND A,@IX+ d	OR A,@IX+ d	MOV @IX+ d,#d8	CMP @IX+ d,#d8	CMP @IX+ d,#d8	CLRB dir: 6	BBC dir: 6,rel	MOVW A,@IX+ d	MOVW @IX+ d,A	MOVW IX,#d16	XCHW A,IX	
7	MOV A,@EP	CMP A,@EP	ADDC A,@EP	SUBC A,@EP	XOR A,@EP	AND A,@EP	OR A,@EP	MOV @EP, #d8	CMP @EP, #d8	CMP @EP, #d8	CLRB dir: 7	BBC dir: 7,rel	MOVW A,@EP	MOVW @EPA	MOVW EP,#d16	XCHW A,EP	
8	MOV A,R0	CMP A,R0	ADDC A,R0	SUBC A,R0	XOR A,R0	AND A,R0	OR A,R0	MOV R0, #d8	CMP R0, #d8	MOV R0, #d8	SETB dir: 0	BBS dir: 0,rel	INC R0	DEC R0	CALLV #0	BNC rel	
9	MOV A,R1	CMP A,R1	ADDC A,R1	SUBC A,R1	XOR A,R1	AND A,R1	OR A,R1	MOV R1, #d8	CMP R1, #d8	MOV R1, #d8	SETB dir: 1	BBS dir: 1,rel	INC R1	DEC R1	CALLV #1	BC rel	
A	MOV A,R2	CMP A,R2	ADDC A,R2	SUBC A,R2	XOR A,R2	AND A,R2	OR A,R2	MOV R2, #d8	CMP R2, #d8	MOV R2, #d8	SETB dir: 2	BBS dir: 2,rel	INC R2	DEC R2	CALLV #2	BP rel	
B	MOV A,R3	CMP A,R3	ADDC A,R3	SUBC A,R3	XOR A,R3	AND A,R3	OR A,R3	MOV R3, #d8	CMP R3, #d8	MOV R3, #d8	SETB dir: 3	BBS dir: 3,rel	INC R3	DEC R3	CALLV #3	BN rel	
C	MOV A,R4	CMP A,R4	ADDC A,R4	SUBC A,R4	XOR A,R4	AND A,R4	OR A,R4	MOV R4, #d8	CMP R4, #d8	MOV R4, #d8	SETB dir: 4	BBS dir: 4,rel	INC R4	DEC R4	CALLV #4	BNZ rel	
D	MOV A,R5	CMP A,R5	ADDC A,R5	SUBC A,R5	XOR A,R5	AND A,R5	OR A,R5	MOV R5, #d8	CMP R5, #d8	MOV R5, #d8	SETB dir: 5	BBS dir: 5,rel	INC R5	DEC R5	CALLV #5	BZ rel	
E	MOV A,R6	CMP A,R6	ADDC A,R6	SUBC A,R6	XOR A,R6	AND A,R6	OR A,R6	MOV R6, #d8	CMP R6, #d8	MOV R6, #d8	SETB dir: 6	BBS dir: 6,rel	INC R6	DEC R6	CALLV #6	BGE rel	
F	MOV A,R7	CMP A,R7	ADDC A,R7	SUBC A,R7	XOR A,R7	AND A,R7	OR A,R7	MOV R7, #d8	CMP R7, #d8	MOV R7, #d8	SETB dir: 7	BBS dir: 7,rel	INC R7	DEC R7	CALLV #7	BLT rel	

MB89990 Series

■ MASK OPTION LIST

No.	Part number		MB89997	MB89P195			MB89PV190
	Specifying procedure		Specify when ordering masking	-101*2	Specify when ordering masking	-201*2	Fixed
1	Port pull-up resistors	P00 to P07 P30 to P37 P40 to P45	Selectable by pin	None	Selectable by pin	None	Not available
2	Power-on reset selection	Power-on reset provided No power-on reset	Selectable	Enabled	Enabled	Enabled	Enabled
3	Selection of oscillation stabilization wait time (at 4.2 MHz)*1	2 ¹⁸ /F _c (Approx. 62.4 ms) 2 ¹⁶ /F _c (Approx. 15.6 ms) 2 ¹² /F _c (Approx. 0.98 ms) 2 ² /F _c (Approx. 0 ms)	Selectable	Fixed to 2 ¹⁶ /F _c	Selectable	Fixed to 2 ¹⁶ /F _c	Fixed to 2 ¹⁶ /F _c
4	Reset pin output	Reset output provided No reset output	Selectable	Enabled	Selectable	Enabled	Output enabled
5	Oscillation type of clock	1 Crystal and ceramic oscillators 2 CR	Selectable	"1" only	Selectable	"1" only	"1" only

*1: The oscillation stabilization delay time is generated by dividing the original clock oscillation. The time described in this item should be used as a guideline since the oscillation cycle is unstable immediately after oscillation starts. "F_c" indicates the original oscillation frequency.

*2: -101 is provided respectively for the MB89P195 OTP versions as the standard product.

MB89990 Series

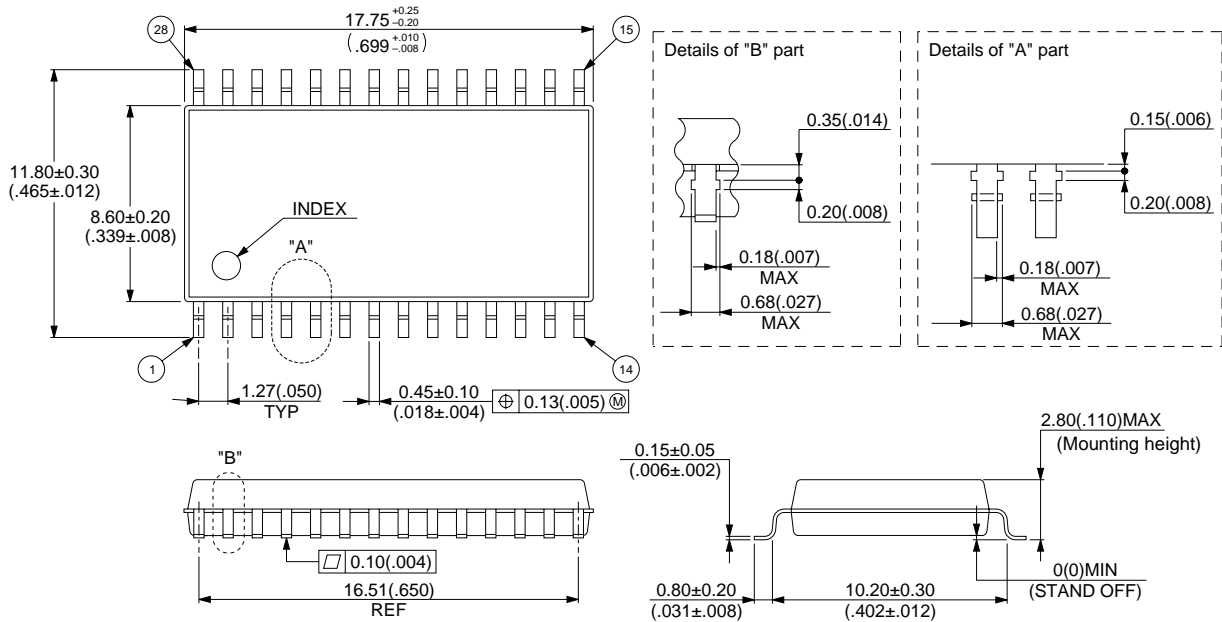
■ ORDERING INFORMATION

Part number	Package	Remarks
MB89997PF MB89P195PF-101	28-pin Plastic SOP (FPT-28P-M17)	
MB89997P-SH	28-pin Plastic SH-DIP (DIP-28C-M03)	
MB89PV190CF	48-pin Ceramic MQFP (MQP-48C-P01)	

MB89990 Series

■ PACKAGE DIMENSIONS

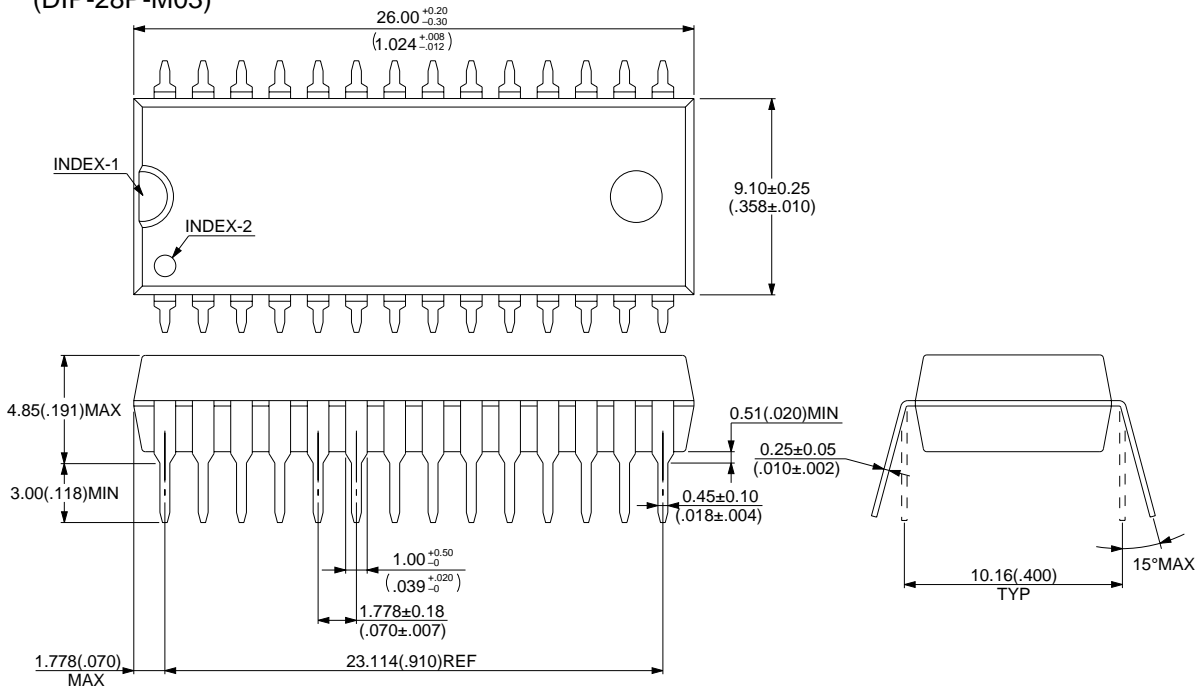
28-pin Plastic SOP
(FPT-28P-M17)



© 1994 FUJITSU LIMITED F28048S-1C-1

Dimensions in mm (inches)

28-pin Plastic SH-DIP
(DIP-28P-M03)

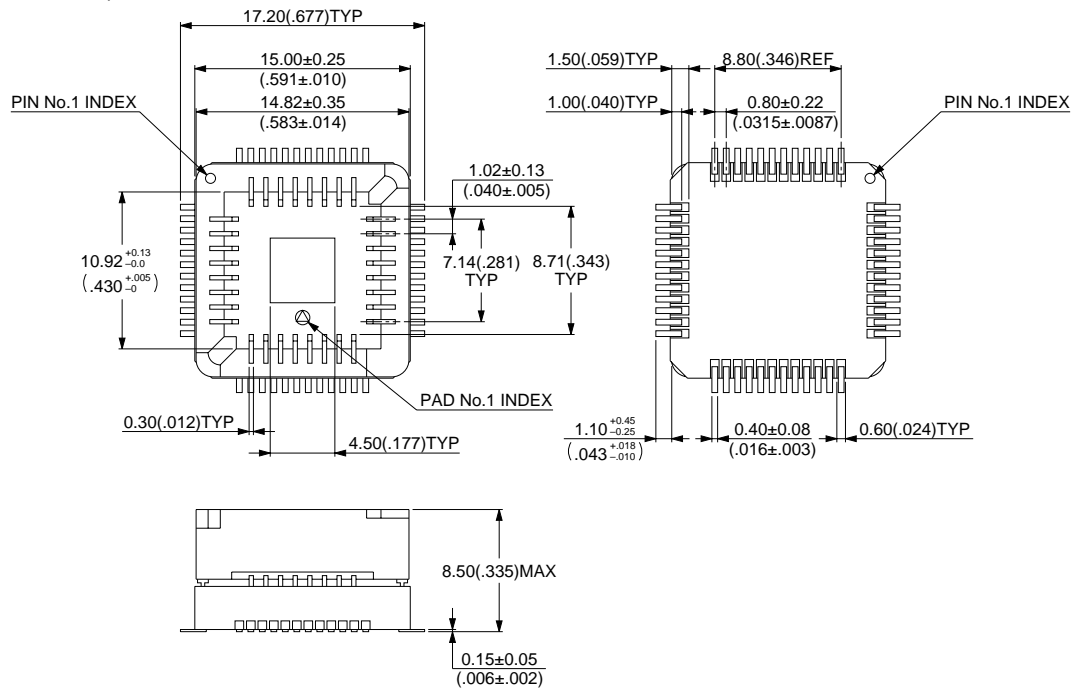


© 1994 FUJITSU LIMITED D28012S-3C-3

Dimensions in mm (inches)

MB89990 Series

48-pin Ceramic MQFP (MQP-48C-P01)



© 1994 FUJITSU LIMITED M48001SC-4-2

Dimensions in mm (inches)

MB89990 Series

FUJITSU LIMITED

For further information please contact:

Japan

FUJITSU LIMITED
Corporate Global Business Support Division
Electronic Devices
KAWASAKI PLANT, 4-1-1, Kamikodanaka
Nakahara-ku, Kawasaki-shi
Kanagawa 211-88, Japan
Tel: (044) 754-3763
Fax: (044) 754-3329

<http://www.fujitsu.co.jp/>

North and South America

FUJITSU MICROELECTRONICS, INC.
Semiconductor Division
3545 North First Street
San Jose, CA 95134-1804, U.S.A.
Tel: (408) 922-9000
Fax: (408) 922-9179

Customer Response Center
Mon. - Fri.: 7 am - 5 pm (PST)
Tel: (800) 866-8608
Fax: (408) 922-9179

<http://www.fujitsumicro.com/>

Europe

FUJITSU MIKROELEKTRONIK GmbH
Am Siebenstein 6-10
D-63303 Dreieich-Buchsschlag
Germany
Tel: (06103) 690-0
Fax: (06103) 690-122

<http://www.fujitsu-edc.com/>

Asia Pacific

FUJITSU MICROELECTRONICS ASIA PTE LTD
#05-08, 151 Lorong Chuan
New Tech Park
Singapore 556741
Tel: (65) 281-0770
Fax: (65) 281-0220

<http://www.fmap.com.sg/>

F9710

© FUJITSU LIMITED Printed in Japan

All Rights Reserved.

The contents of this document are subject to change without notice. Customers are advised to consult with FUJITSU sales representatives before ordering.

The information and circuit diagrams in this document presented as examples of semiconductor device applications, and are not intended to be incorporated in devices for actual use. Also, FUJITSU is unable to assume responsibility for infringement of any patent rights or other rights of third parties arising from the use of this information or circuit diagrams.

FUJITSU semiconductor devices are intended for use in standard applications (computers, office automation and other office equipment, industrial, communications, and measurement equipment, personal or household devices, etc.).

CAUTION:

Customers considering the use of our products in special applications where failure or abnormal operation may directly affect human lives or cause physical injury or property damage, or where extremely high levels of reliability are demanded (such as aerospace systems, atomic energy controls, sea floor repeaters, vehicle operating controls, medical devices for life support, etc.) are requested to consult with FUJITSU sales representatives before such use. The company will not be responsible for damages arising from such use without prior approval.

Any semiconductor devices have inherently a certain rate of failure. You must protect against injury, damage or loss from such failures by incorporating safety design measures into your facility and equipment such as redundancy, fire protection, and prevention of over-current levels and other abnormal operating conditions.

If any products described in this document represent goods or technologies subject to certain restrictions on export under the Foreign Exchange and Foreign Trade Control Law of Japan, the prior authorization by Japanese government should be required for export of those products from Japan.