

LINEAR IC

R-2R TYPE 8-BIT D/A CONVERTER WITH OPERATIONAL AMPLIFIER OUTPUT BUFFERS

MB88347

DESCRIPTION

The Fujitsu MB88347 is an R-2R type 8-bit resolution digital-to-analog converter (DAC), designed for interface with a wide range of general 4-bit and 8-bit microcontrollers including Fujitsu's MB88200 family, MB8850 family, and MB88500 family 4-bit single-chip microcontrollers.

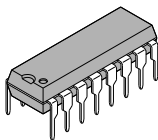
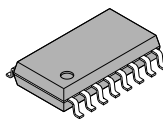
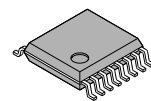
The MB88347 has an 8-bit \times 8-channel D/A converter with operational amplifier output buffers. Digital data are input serially by individual channel units. The loaded digital data are converted into analog DC voltages by the D/A converter in 100 μ s settling time. Also, the MB88347 has operational amplifier output buffers. These operational amplifier output buffers are connected to each channel of the D/A converter, and provide high current drive capability. The MB88347 is suitable for electronic volumes and replacement for potentiometers for adjustment, in addition to normal D/A converter applications.

FEATURES

- Conversion method : R-2R resistor ladder
- 8-bit \times 8-channel D/A converter with operational amplifier output buffers
- Max. 2.5 MHz Serial data input
- Serial data output for cascade connection
- Max. 100 μ s DAC output settling time
- Max. +1.0/-1.0 mA analog output sink/source current
- Two separate power supply/ground lines for MCU interface block/operational amplifier output buffer block and D/A converter block

(Continued)

PACKAGE

MB88347-P**PLASTIC DIP
(DIP-16P-M04)****MB88347-PF****PLASTIC SOP
(FPT-16P-M06)****MB88347-PFV****PLASTIC SSOP
(FPT-16P-M05)**

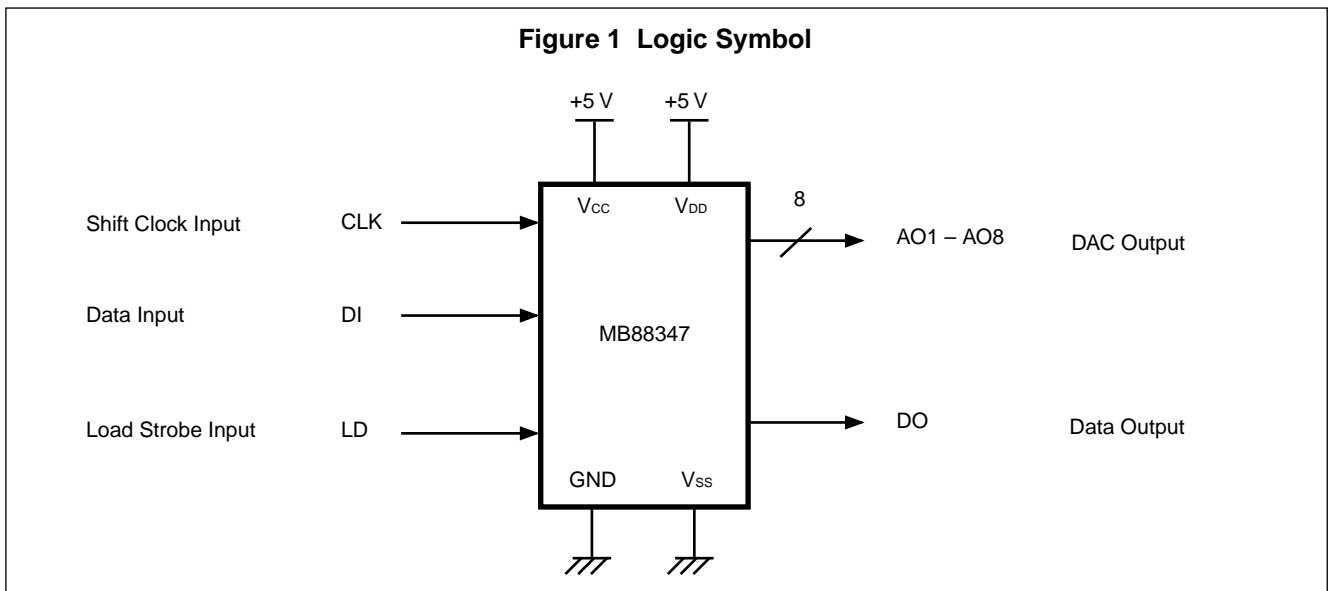
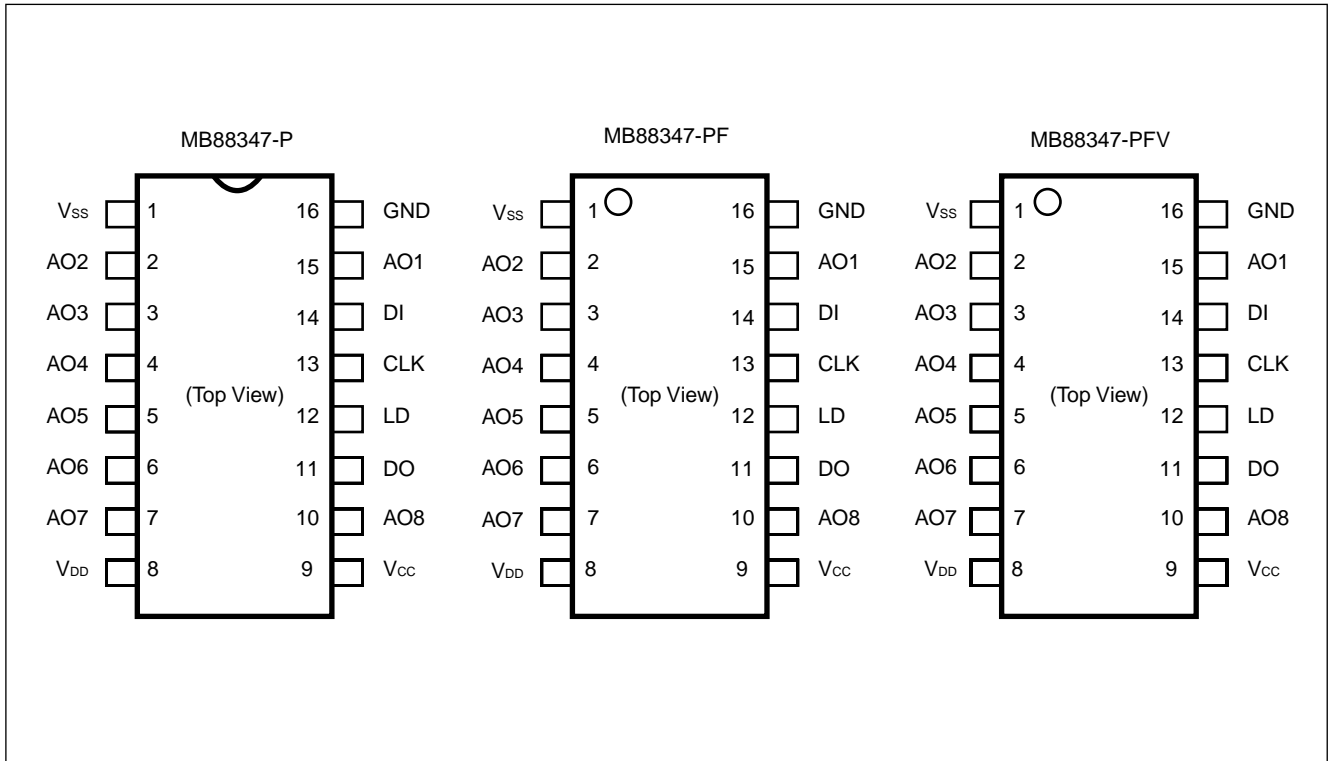
This device contains circuitry to protect the inputs against damage due to high static voltages or electric fields. However, it is advised that normal precautions be taken to avoid application of any voltage higher than maximum rated voltages to this high impedance circuit.

MB88347

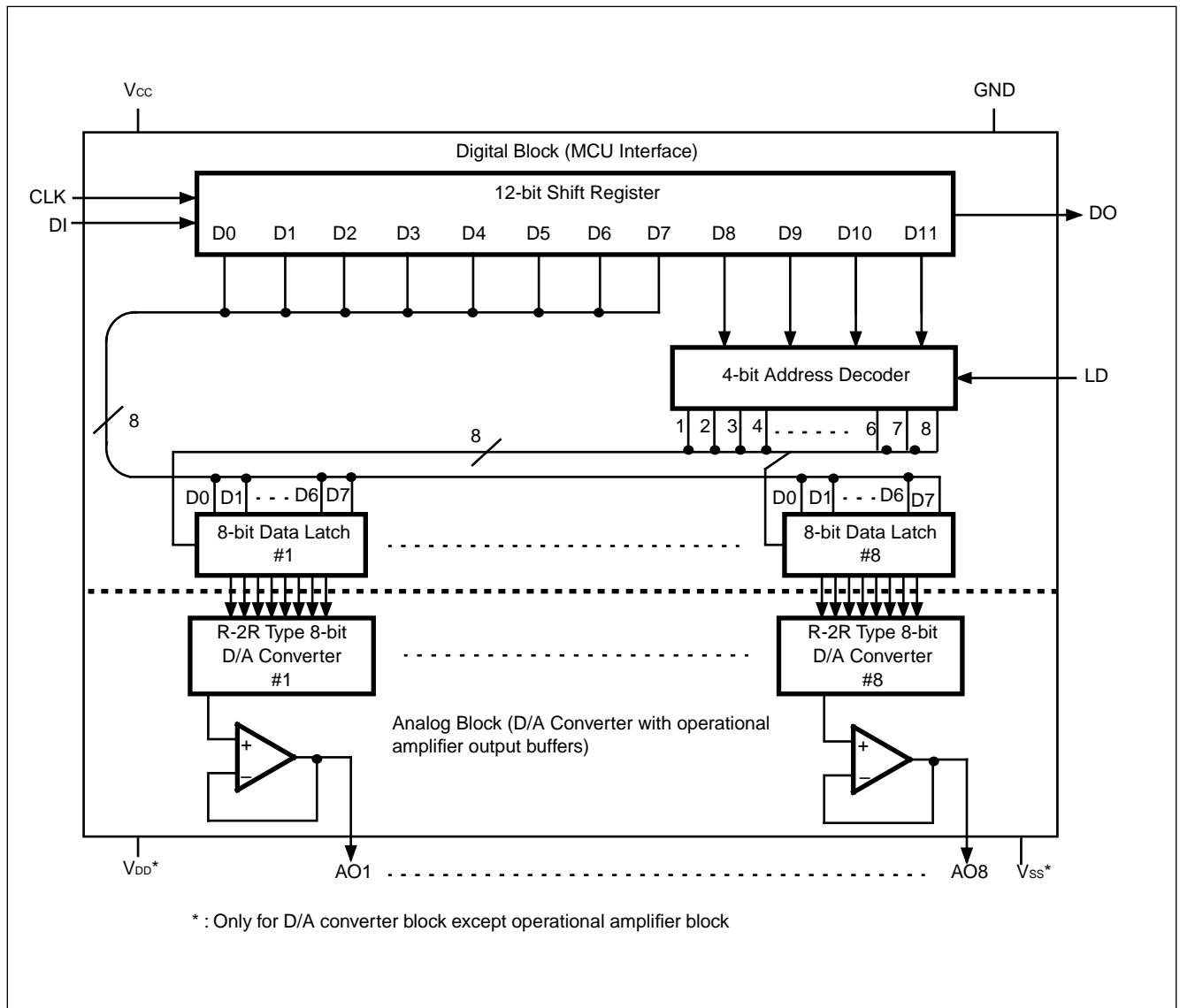
(Continued)

- Pin compatible with MB88342
- Single +5 V power supply
- Wide operating temperature range: -20°C to $+85^{\circ}\text{C}$
- Silicon-gate CMOS process
- Three package options :
16-pin plastic DIP (Suffix : -P), 16-pin plastic SOP (Suffix : -PF), 16-pin plastic SSOP(Suffix : -PFV)

■ PIN ASSIGNMENT



■ BLOCK DIAGRAM



MB88347

■ PIN DESCRIPTION

PIN ASSIGNMENT and Table 1 show the pin assignment and pin description of the MB88347.

Table 1 Pin Description

Symbol	Pin No.	Type	Name & Function
Power Supply			
V _{CC}	9	—	+5 V DC power supply pin for the digital block (MCU interface) and operational amplifier output buffers.
GND	16	—	Ground pin for the digital block (MCU interface) and operational amplifier output buffers.
V _{DD}	8	—	DC power supply pin for the analog block (D/A converter) except operational amplifier output buffers.
V _{SS}	1	—	Ground pin for the analog block (D/A converter) except operational amplifier output buffers.
Control Input			
CLK	13	I	Shift clock input to the internal 12-bit shift register: At the rising edge of CLK data on the DI pin is shifted into the LSB of the shift register and contents of the shift register are shifted right (to the MSB).
LD	12	I	Load strobe input for a 12-bit address/data : A high level on the LD pin latches a 4-bit address (upper 4 bits: D11 to D8) of the internal 12-bit shift register into the internal address decoder, and writes 8-bit data (lower 8 bits: D7 to D0) of the shift register into an internal data latch selected by the latched address.
Data Input/Output			
DI	14	I	Serial address/data input to the internal 12-bit shift register: The address/data format is that upper 4 bits (D11 to D8) indicate an address and lower 8 bits (D7 to D0) indicate data. The D11 (MSB) is the first-in bit and D0 (LSB) is the last-in bit.
DO	11	O	Serial address/data output from the internal 12-bit shift register: This is an output pin of the MSB bit data of the 12-bit shift register. This pin allows a cascade connection of the device.
DAC Output			
AO1	15	O	8-bit resolution D/A converter outputs : 8 channels (AO1 to AO8) Each output channel has an operational amplifier output buffer for analog output data.
AO2	2		
AO3	3		
AO4	4		
AO5	5		
AO6	6		
AO7	7		
AO8	10		

FUNCTIONAL DESCRIPTION

OVERVIEW

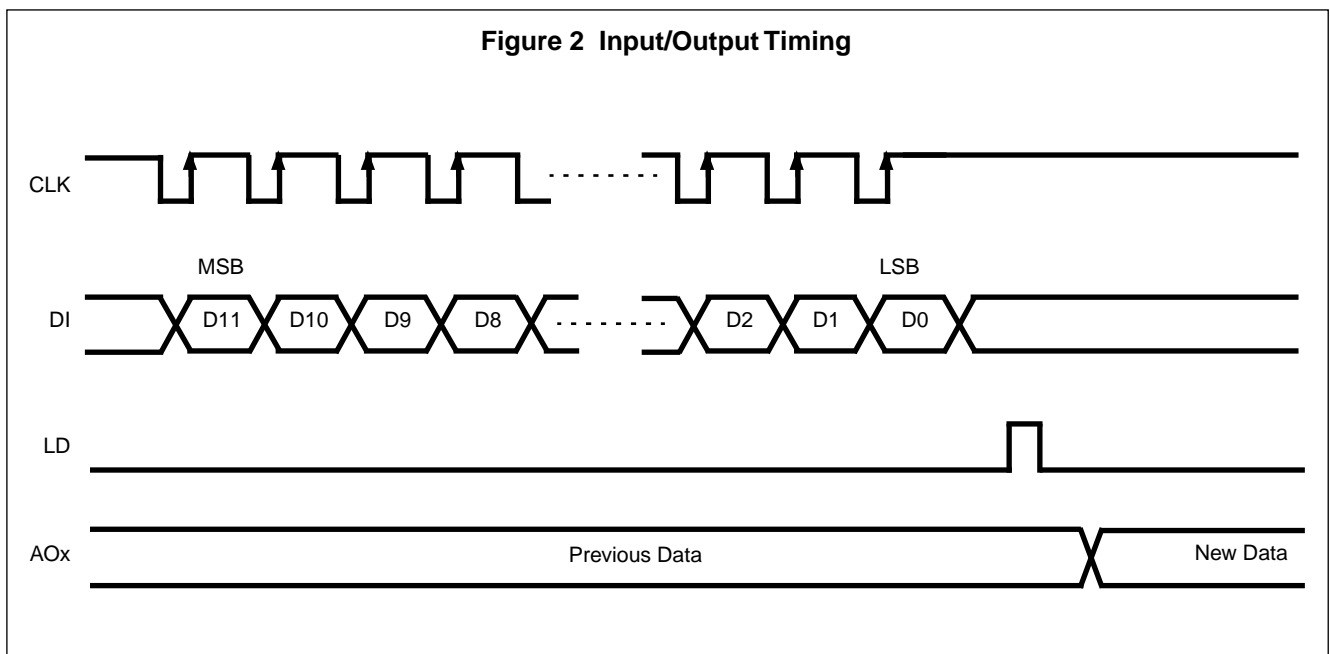
The MB88347 is a R-2R resistor ladder type, 8-bit resolution digital-to-analog converter (DAC) device. The MB88347 has 8 channels of D/A converters with operational amplifier output buffers. 8-bit digital data are loaded into internal data latches by individual DAC channel units. The loaded digital data are converted into analog DC voltages through the internal D/A converter in max. 100 μ s settling time. And the analog DC voltages source/sink the output current through the operational amplifier output buffers. For cascade connection, a serial data output is provided.

DEVICE CONFIGURATION

As illustrated in BLOCK DIAGRAM, the MB88347 device is composed by the digital block (MCU interface) and analog block (D/A converter with operational amplifier output buffers). The digital block consists of a 12-bit shift register, a 4-bit address decoder, and 8-channels of 8-bit data latches. The analog block includes 8-channels of 8-bit D/A converters with operational amplifier output buffers connecting to the data latches. For electrically stable operation the power supply and ground lines are separate between the digital block (MCU interface) and operational amplifier output buffers, and analog block except operational amplifier output buffers.

DEVICE OPERATION

Figure 2 shows the input/output timing. A 12-bit address/data is serially input into the shift register through the DI pin synchronously with the rising edge of CLK. The format of the shift register is shown in Figure 3. The lower 8 bits (D7 to D0) are data bits to be converted, and the upper 4 bits (D11 to D8) are address bits (D11 to D8) to select a data latch to be written. A high level on the LD pin loads the address decoder with the 4-bit address to select a data latch, and writes the 8-bit data into a selected data latch. Figure 4 shows the data latch address map, and Table 2, address decoding. 8-bit data written into individual data latches are converted into analog DC voltages, dividing the supply voltage $|V_{DD}-V_{SS}|$ through R-2R resistor ladders of D/A converters. The operational amplifier output buffers at individual D/A converter outputs can source up to 1.0 mA of the output current. Figure 5 shows a configuration of the R-2R resistor ladder D/A converter with operational amplifier, and Table 3 analog DC voltages corresponding to each digital data.



MB88347

Figure 3 Shift Register Format

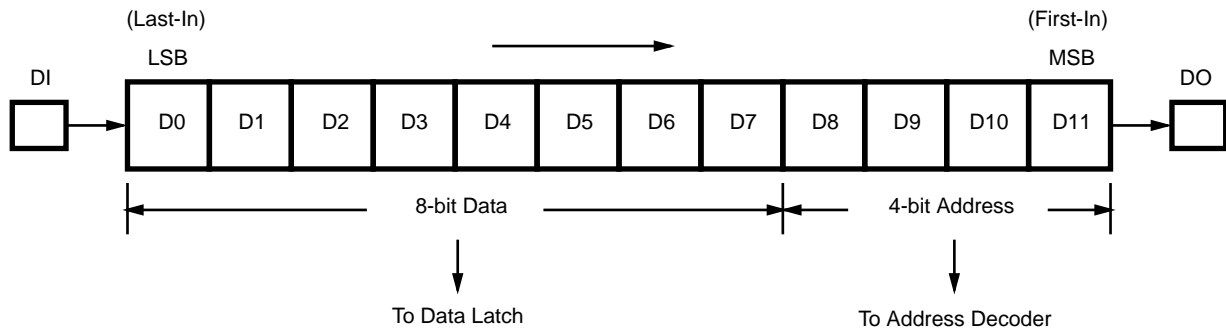


Figure 4 Data Latch Address Map

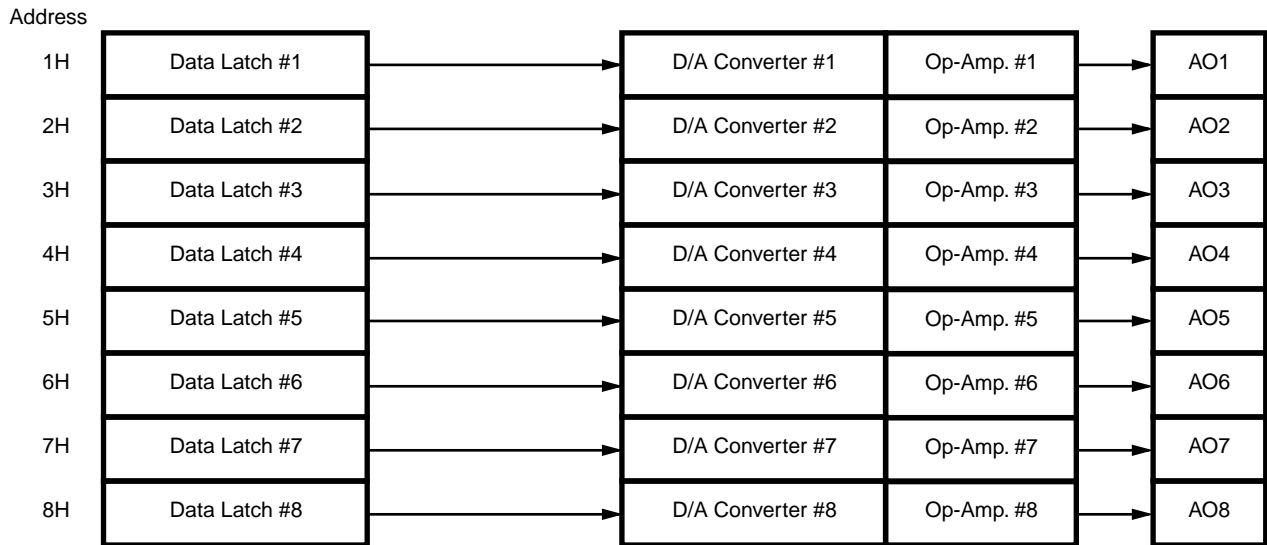
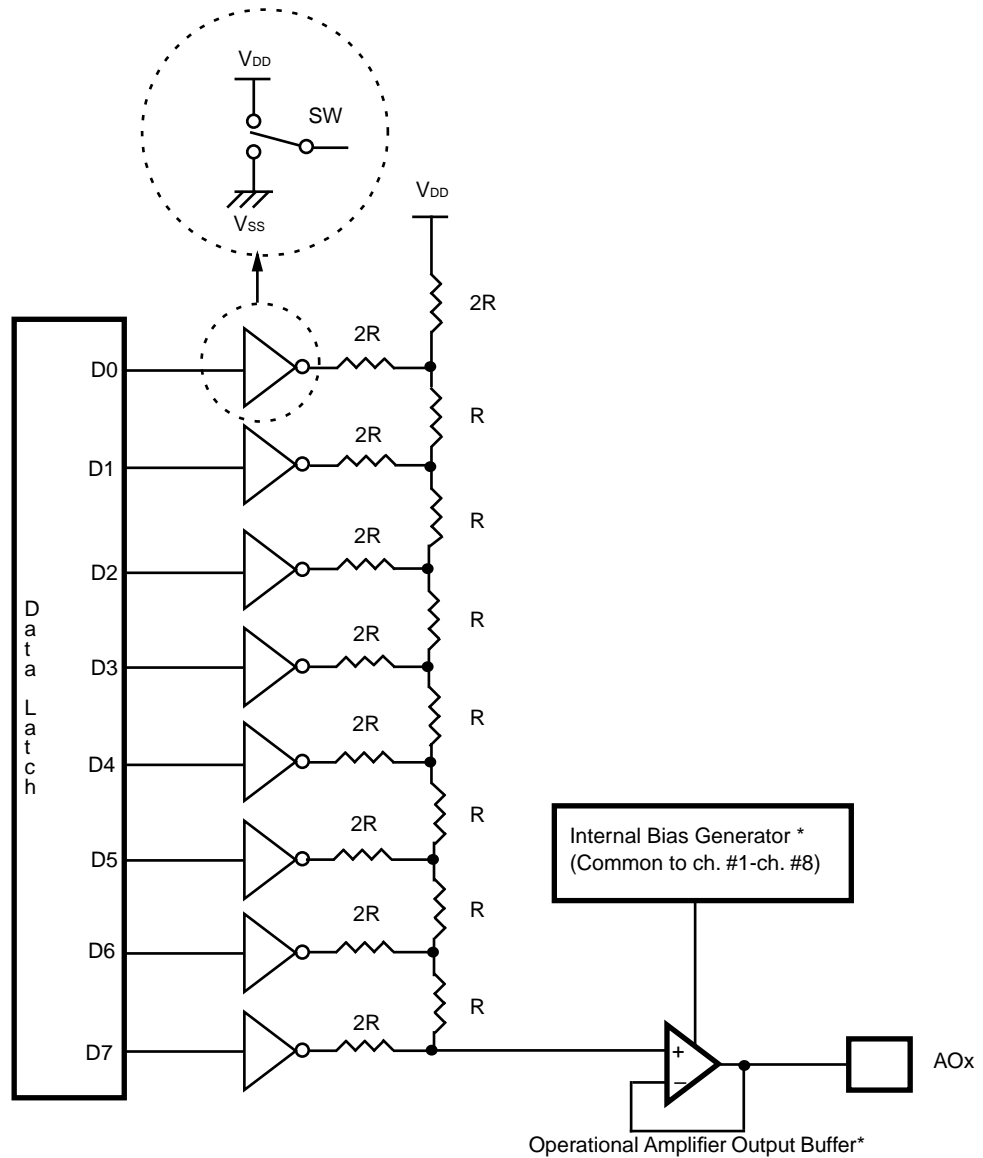


Figure 5 Configuration of R-2R Resistor Ladder D/A Converter with Operational Amplifier Output Buffer



* : Powered/grounded by the V_{CC} and GND pins.

MB88347

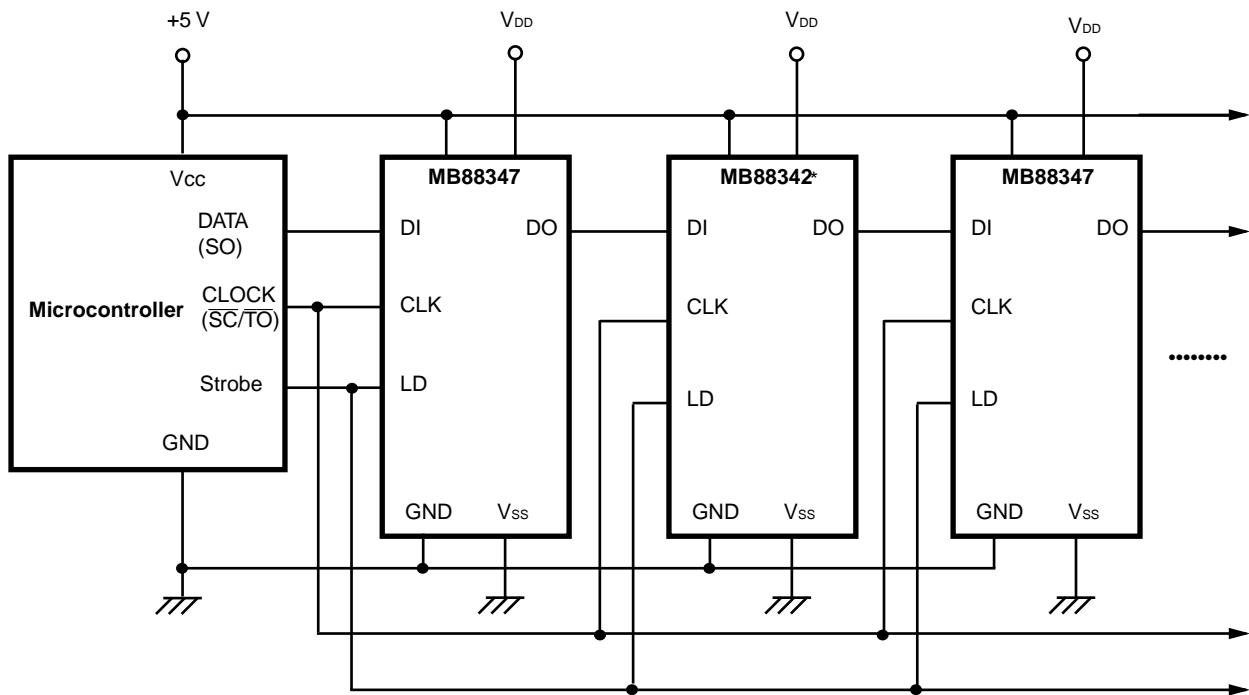
Table 2 Address Decoding

Address				Data Latch Selected
D8	D9	D10	D11	MB88347
0	0	0	0	Deselected
0	0	0	1	Data Latch #1
0	0	1	0	Data Latch #2
0	0	1	1	Data Latch #3
0	1	0	0	Data Latch #4
0	1	0	1	Data Latch #5
0	1	1	0	Data Latch #6
0	1	1	1	Data Latch #7
1	0	0	0	Data Latch #8
1	0	0	1	Deselected
1	0	1	0	Deselected
1	0	1	1	Deselected
1	1	0	0	Deselected
1	1	0	1	Deselected
1	1	1	0	Deselected
1	1	1	1	Deselected

Table 3 Data Conversion

Data								DAC Output Level
D7	D6	D5	D4	D3	D2	D1	D0	AOx
0	0	0	0	0	0	0	0	$\approx V_{SS}$
0	0	0	0	0	0	0	1	$\approx (V_{DD} - V_{SS}) \times 1/255 + V_{SS}$
0	0	0	0	0	0	1	0	$\approx (V_{DD} - V_{SS}) \times 2/255 + V_{SS}$
0	0	0	0	0	0	1	1	$\approx (V_{DD} - V_{SS}) \times 3/255 + V_{SS}$
⋮	⋮	⋮	⋮	⋮	⋮	⋮	⋮	⋮
1	1	1	1	1	1	1	0	$\approx (V_{DD} - V_{SS}) \times 254/255 + V_{SS}$
1	1	1	1	1	1	1	1	$\approx V_{DD}$

Figure 6 Cascade Connection Example

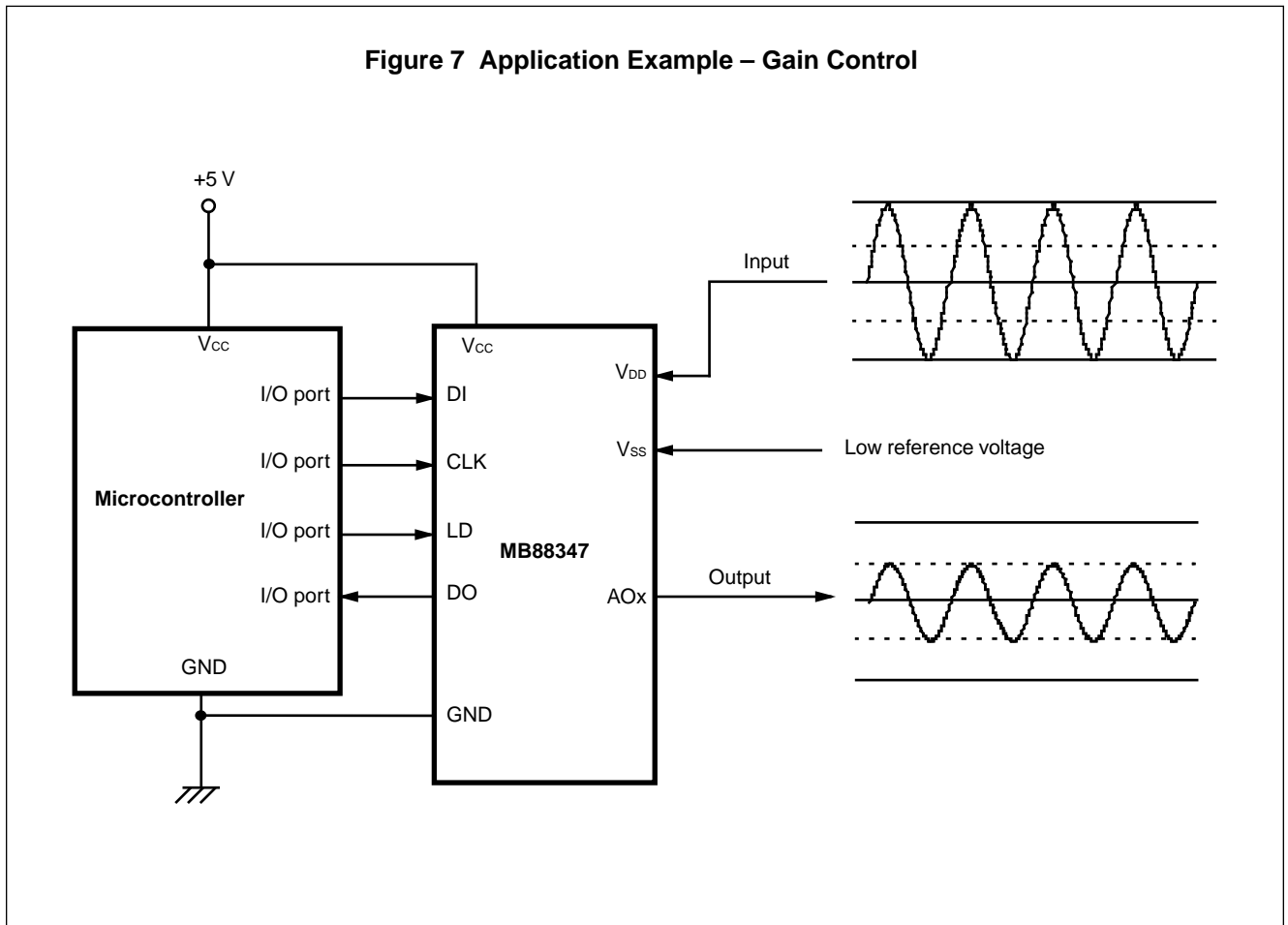


* : MB88347 can be used mixed with MB88342.

MB88347

■ APPLICATION DESCRIPTION

The MB88347 is suitable for electronic volumes and replacement for adjustment potentiometers, in addition to normal D/A converter applications. Figure 7 illustrates an application example for a gain control.



■ ELECTRICAL CHARACTERISTICS

ABSOLUTE MAXIMUM RATINGS (See NOTE)

Parameter	Symbol	Rating			Unit	Condition
		Min	Typ	Max		
Supply Voltage	V _{CC}	-0.3	—	+7.0	V	Ta = +25°C GND = 0 V V _{DD} ≤ V _{CC} ,
	V _{DD}	-0.3	—	+7.0	V	
Input Voltage	V _{IN}	-0.3	—	V _{CC} + 0.3	V	Ta = 25°C GND = 0 V Should not exceed V _{CC} + 0.3 V
Output Voltage	V _{OUT}	-0.3	—	V _{CC} + 0.3	V	
Power Dissipation	P _D	—	—	250	mW	
Operating Ambient Temperature	T _a	-20	—	+85	°C	
Storage Temperature	T _{STG}	-55	—	+150	°C	

NOTE: Permanent device damage may occur if the above ABSOLUTE MAXIMUM RATINGS are exceeded. Functional operation should be restricted to the conditions as detailed in the operational sections of this data sheet. Exposure to absolute maximum rating conditions for extended periods may affect device reliability.

RECOMMENDED OPERATING CONDITIONS

Parameter	Symbol	Rating			Unit	Condition
		Min	Typ	Max		
Supply Voltage (for MCU Interface/ Op.-Amp. Block)	V _{CC}	4.5	5.0	5.5	V	V _{CC} ≥ V _{DD} , V _{DD} - V _{SS} ≥ 2.0 V
	GND	—	0	—	V	
Supply Voltage (for Analog Block*)	V _{DD}	2.0	—	V _{CC}	V	
	V _{SS}	GND	—	V _{CC} - 2.0	V	
Analog Output Source Current	I _{AL}	—	—	+1.0	mA	
Analog Output Sink Current	I _{AH}	—	—	+1.0	mA	
Analog Output Load Capacitance for oscillation limit	C _{OL}	—	—	1.0	μF	
Operating Ambient Temperature	T _a	-20	—	+85	°C	

* : Except operational amplifier output buffer block

MB88347

■ DC CHARACTERISTICS

(Recommended operating conditions unless otherwise noted.)

Digital Block (MCU) Interface

Parameter	Symbol	Value			Unit	Condition
		Min	Typ	Max		
Supply Voltage (V_{CC})	V_{CC}	4.5	5.0	5.5	V	
Supply Current (V_{CC}) *	I_{CC}	—	0.8	1.8	mA	CLK = 1 MHz, No load
Input Leakage Current (CLK, DI, and LD)	I_{ILK}	-10	—	+10	μ A	$V_{IN} = 0$ to V_{CC}
Input Low Voltage (CLK, DI, and LD)	V_{IL}	—	—	$0.2 \cdot V_{CC}$	V	
Input High Voltage (CLK, DI, and LD)	V_{IH}	$0.5 \cdot V_{CC}$	—	—	V	
Output Low Voltage (DO)	V_{OL}	—	—	0.4	V	$I_{OL} = +2.5$ mA
Output High Voltage (DO)	V_{OH}	$V_{CC} - 0.4$	—	—	V	$I_{OH} = -400$ μ A

* : Including the supply current to the operational amplifier block

Analog Block (D/A Converters with Operational Amplifier Output Buffers)

Parameter	Symbol	Value			Unit	Condition
		Min	Typ	Max		
Supply Current (V_{DD}) **	I_{DD}	—	1.0	1.5	mA	Unloaded
Supply Voltage (V_{DD})	V_{DD}	2.0	—	V_{CC}	V	$V_{DD} - V_{SS} \geq 2.0$ V
	V_{SS}	GND	—	$V_{CC} - 2.0$	V	
Resolution (AOx)	Res	—	8	—	bits	Monotonicity
Nonlinearity Error (AOx)	LE	-1.5	—	+1.5	LSB	Unloaded, $V_{DD} \leq V_{CC} - 0.1$ V, $V_{SS} \geq 0.1$ V See note and Figure 8 below.
Differential Error (AOx)	DE	-1.0	0	+1.0	LSB	Unloaded, $V_{DD} \leq V_{CC} - 0.1$ V, $V_{SS} \geq 0.1$ V See note below.

** : Excluding the supply current to the operational amplifier block

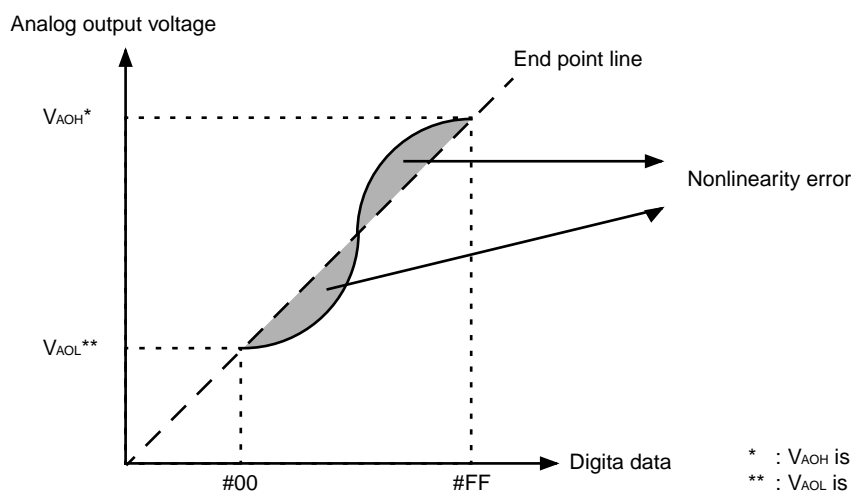
NOTES:

- Nonlinearity Error : The difference between the input-output curve for the straight line (ideal line) that connects the output voltage of the channel when #00 is set, and the output voltage when #FF is set.
- Differential Error : The difference from the ideal increment value when the digital data is increased by 1 bit.

Analog Block (D/A Converters with Operational Amplifier Output Buffers)

Parameter	Symbol	Value			Unit	Condition
		Min	Typ	Max		
Min. Analog Output Voltage 1 (AOx)	V_{AOL1}	V_{SS}	—	$V_{SS} + 0.1$	V	$V_{DD} = V_{CC}$, $V_{SS} = GND = 0\text{ V}$, $I_{AL} = 0\ \mu\text{A}$, Digital Data = #00
Min. Analog Output Voltage 2 (AOx)	V_{AOL2}	$V_{SS} - 0.2$	V_{SS}	$V_{SS} + 0.2$	V	$V_{DD} = V_{CC} = 5.0\text{ V}$, $V_{SS} = GND = 0\text{ V}$, $I_{AL} = +500\ \mu\text{A}$, Digital Data = #00
Min. Analog Output Voltage 3 (AOx)	V_{AOL3}	V_{SS}	—	$V_{SS} + 0.2$	V	$V_{DD} = V_{CC} = 5.0\text{ V}$, $V_{SS} = GND = 0\text{ V}$, $I_{AH} = +500\ \mu\text{A}$, Digital Data = #00
Min. Analog Output Voltage 4 (AOx)	V_{AOL4}	$V_{SS} - 0.3$	V_{SS}	$V_{SS} + 0.3$	V	$V_{DD} = V_{CC} = 5.0\text{ V}$, $V_{SS} = GND = 0\text{ V}$, $I_{AL} = +1.0\text{ mA}$, Digital Data = #00
Min. Analog Output Voltage 5 (AOx)	V_{AOL5}	V_{SS}	—	$V_{SS} + 0.3$	V	$V_{DD} = V_{CC} = 5.0\text{ V}$, $V_{SS} = GND = 0\text{ V}$, $I_{AH} = +1.0\text{ mA}$, Digital Data = #00
Max. Analog Output Voltage 1 (AOx)	V_{AOH1}	$V_{DD} - 0.1$	—	V_{DD}	V	$V_{DD} = V_{CC}$, $V_{SS} = GND = 0\text{ V}$, $I_{AL} = 0\ \mu\text{A}$, Digital Data = #FF
Max. Analog Output Voltage 2 (AOx)	V_{AOH2}	$V_{DD} - 0.2$	—	V_{DD}	V	$V_{DD} = V_{CC} = 5.0\text{ V}$, $V_{SS} = GND = 0\text{ V}$, $I_{AL} = +500\ \mu\text{A}$, Digital Data = #FF
Max. Analog Output Voltage 3 (AOx)	V_{AOH3}	$V_{DD} - 0.2$	V_{DD}	$V_{DD} + 0.2$	V	$V_{DD} = V_{CC} = 5.0\text{ V}$, $V_{SS} = GND = 0\text{ V}$, $I_{AH} = +500\ \mu\text{A}$, Digital Data = #FF
Max. Analog Output Voltage 4 (AOx)	V_{AOH4}	$V_{DD} - 0.3$	—	V_{DD}	V	$V_{DD} = V_{CC} = 5.0\text{ V}$, $V_{SS} = GND = 0\text{ V}$, $I_{AL} = +1.0\text{ mA}$, Digital Data = #FF
Max. Analog Output Voltage 5 (AOx)	V_{AOH5}	$V_{DD} - 0.3$	V_{DD}	$V_{DD} + 0.3$	V	$V_{DD} = V_{CC} = 5.0\text{ V}$, $V_{SS} = GND = 0\text{ V}$, $I_{AH} = +1.0\text{ mA}$, Digital Data = #FF

Figure 8 Definition of Nonlinearity Error



MB88347

■ AC CHARACTERISTICS

(Recommended operating conditions unless otherwise noted.)

Parameter	Symbol	Value		Unit	Condition
		Min	Max		
Clock Low Time	t_{CKL}	200	—	ns	
Clock High Time	t_{CKH}	200	—	ns	
Clock Rise Time	t_{Cr}	—	200	ns	
Clock Fall Time	t_{Cf}	—	200	ns	
Data Setup Time	t_{DCH}	30	—	ns	
Data Hold Time	t_{CHD}	60	—	ns	
Load Strobe High Time	t_{LDH}	100	—	ns	
Load Strobe Setup Time	t_{CHL}	200	—	ns	
Load Strobe Hold Time	t_{LDC}	100	—	ns	
DAC Output Settling Time	t_{LDD}	—	100	μ s	* $R_{AL} = 10\text{ k}\Omega$, $C_{AL} = 50\text{ pF}$
Data Output Delay Time	t_{DO}	70	350	ns	** $C_L = 20\text{ pF}$ (Min.), 100 pF (Max.)

Figure 9 AC Test Conditions

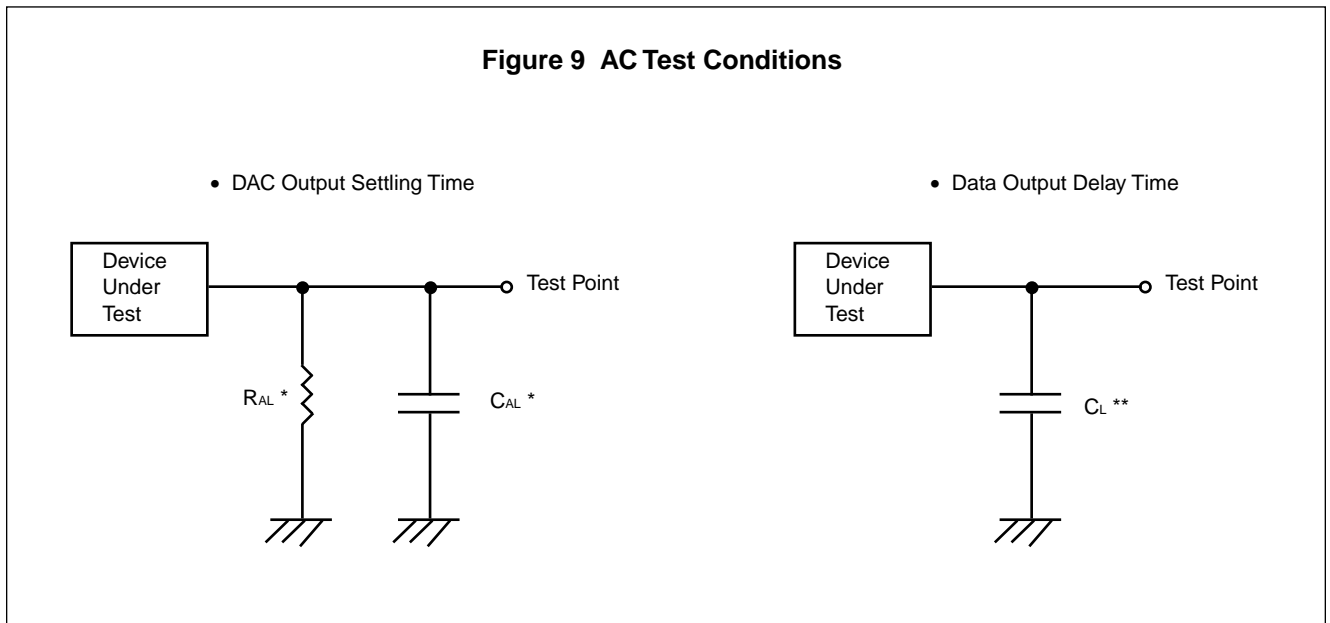
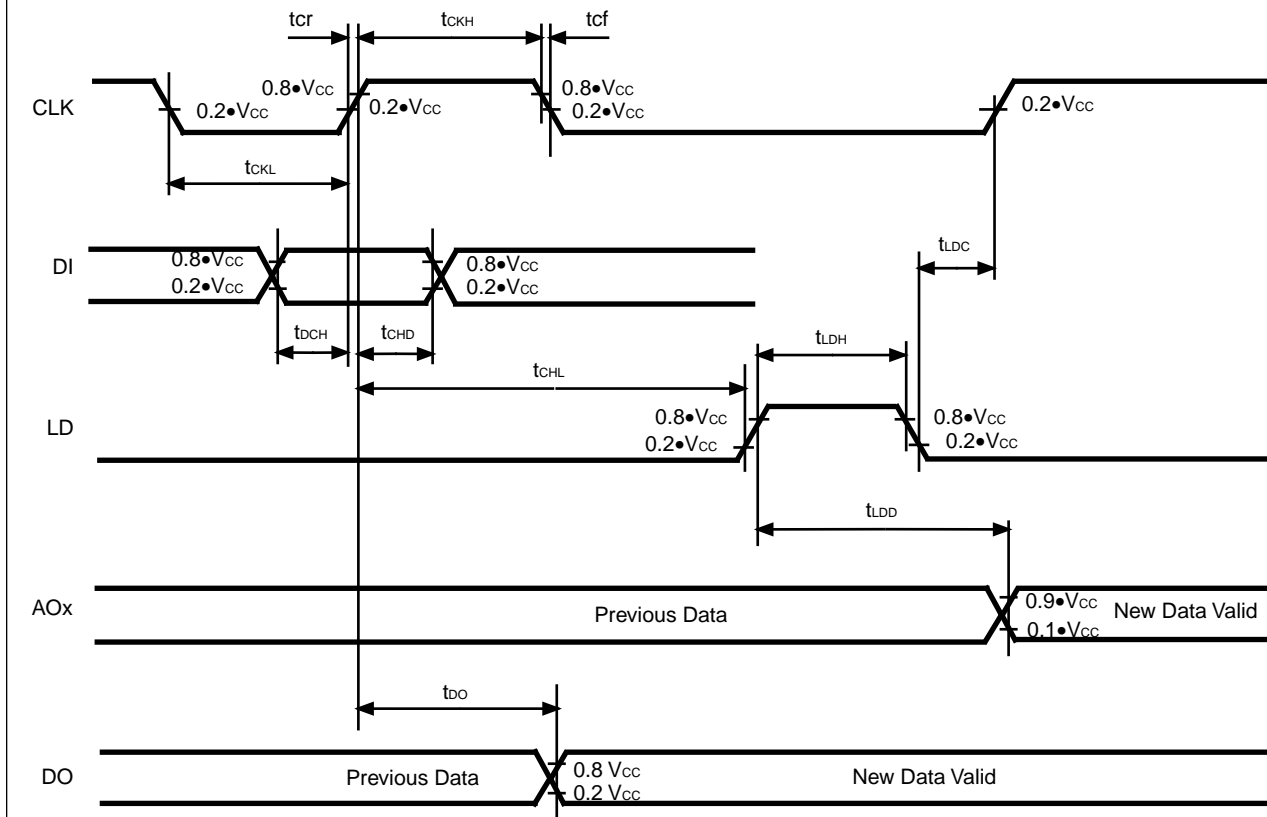
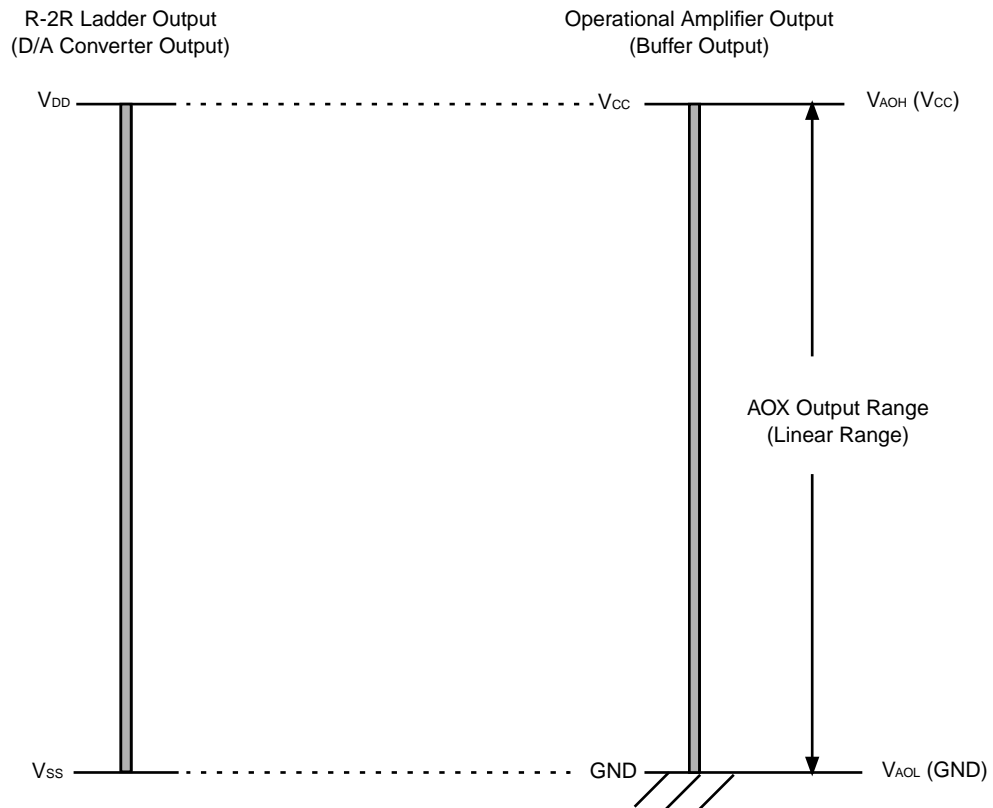


Figure 10 Input/Output Timing



MB88347

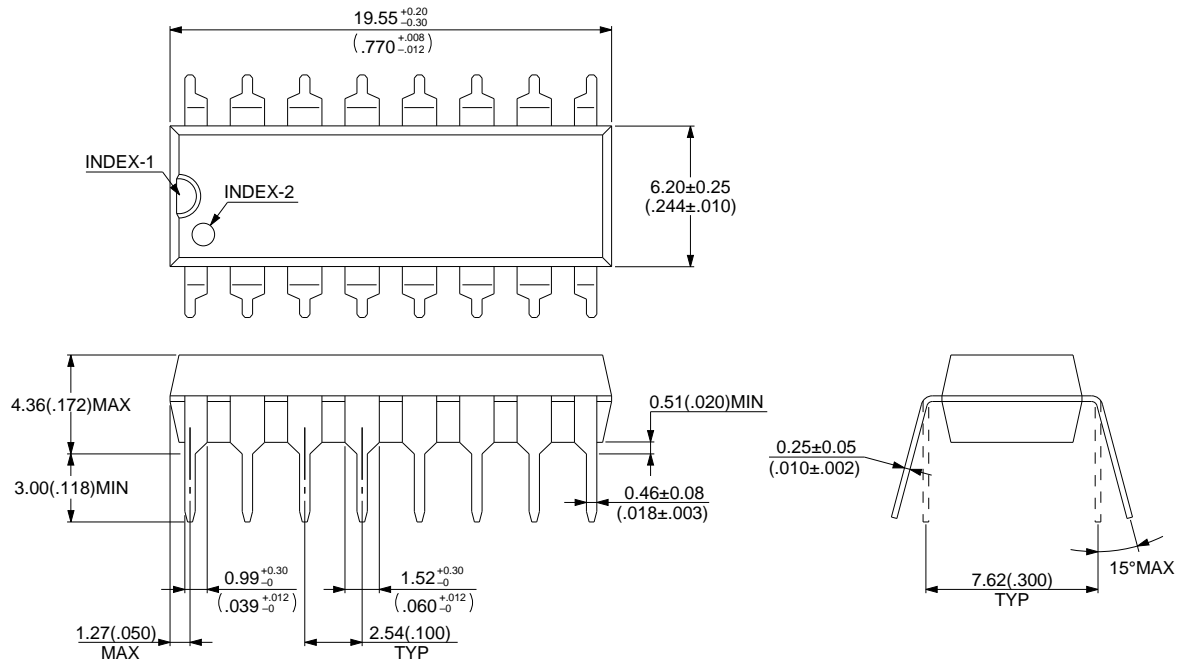
Figure 11 Analog Output Voltage Range



Notes: $V_{DD} = V_{CC}$
 $V_{SS} = GND$

■ PACKAGE DIMENSIONS

16 pin, Plastic DIP
(DIP-16P-M04)



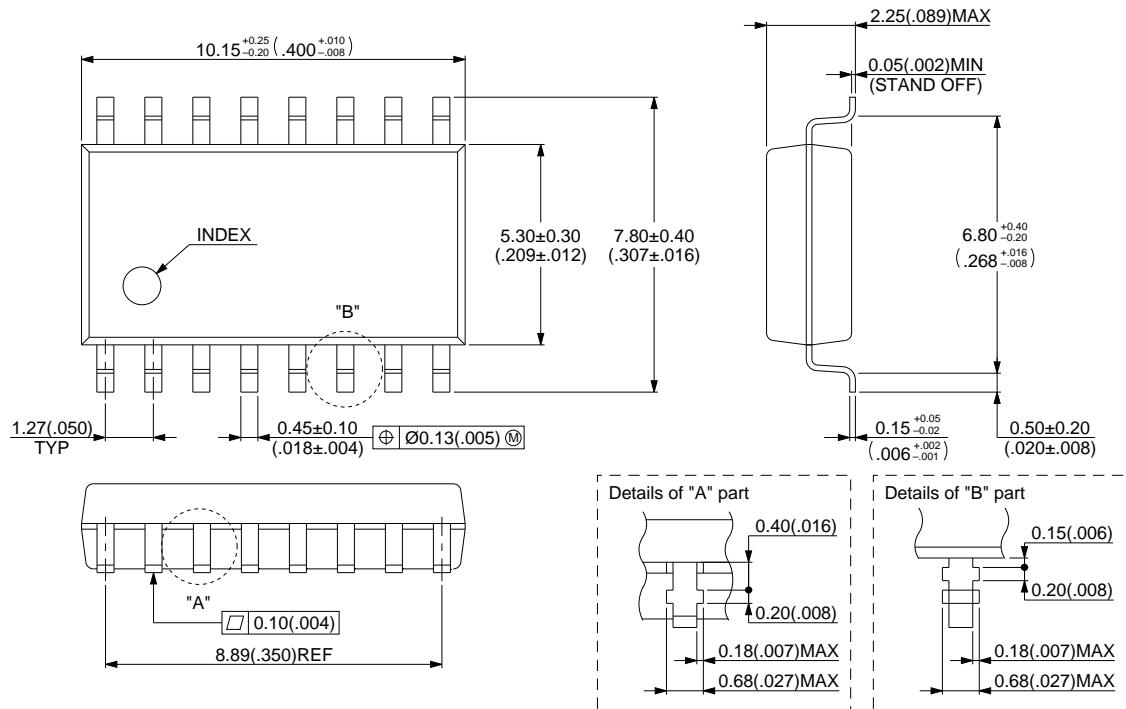
© 1994 FUJITSU LIMITED D16033S-2C-3

Dimensions in mm(inches).

MB88347

MB88347-PF

16 pin, Plastic SOP
(FPT-16P-M06)



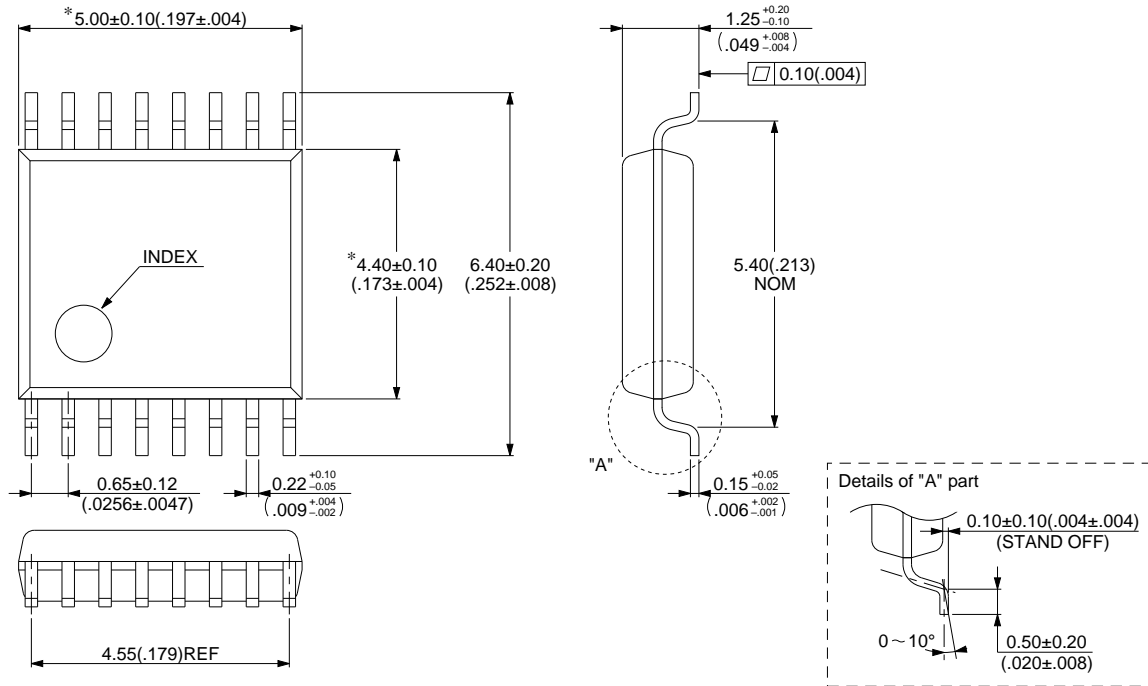
© 1994 FUJITSU LIMITED F16015S-2C-4

Dimensions in mm(inches).

MB88347

MB88347-PFV

16 pin, Plastic SSOP
(FPT-16P-M05)



© 1994 FUJITSU LIMITED F16013S-2C-4

Dimensions in mm(inches).

FUJITSU LIMITED

For further information please contact:

Japan

FUJITSU LIMITED
Corporate Global Business Support Division
Electronic Devices
KAWASAKI PLANT, 4-1-1, Kamikodanaka
Nakahara-ku, Kawasaki-shi
Kanagawa 211-88, Japan
Tel: (044) 754-3763
Fax: (044) 754-3329

North and South America

FUJITSU MICROELECTRONICS, INC.
Semiconductor Division
3545 North First Street
San Jose, CA 95134-1804, U.S.A.
Tel: (408) 922-9000
Fax: (408) 432-9044/9045

Europe

FUJITSU MIKROELEKTRONIK GmbH
Am Siebenstein 6-10
63303 Dreieich-Buchsschlag
Germany
Tel: (06103) 690-0
Fax: (06103) 690-122

Asia Pacific

FUJITSU MICROELECTRONICS ASIA PTE. LIMITED
#05-08, 151 Lorong Chuan
New Tech Park
Singapore 556741
Tel: (65) 281-0770
Fax: (65) 281-0220

All Rights Reserved.

The contents of this document are subject to change without notice. Customers are advised to consult with FUJITSU sales representatives before ordering.

The information and circuit diagrams in this document presented as examples of semiconductor device applications, and are not intended to be incorporated in devices for actual use. Also, FUJITSU is unable to assume responsibility for infringement of any patent rights or other rights of third parties arising from the use of this information or circuit diagrams.

FUJITSU semiconductor devices are intended for use in standard applications (computers, office automation and other office equipment, industrial, communications, and measurement equipment, personal or household devices, etc.).

CAUTION:

Customers considering the use of our products in special applications where failure or abnormal operation may directly affect human lives or cause physical injury or property damage, or where extremely high levels of reliability are demanded (such as aerospace systems, atomic energy controls, sea floor repeaters, vehicle operating controls, medical devices for life support, etc.) are requested to consult with FUJITSU sales representatives before such use. The company will not be responsible for damages arising from such use without prior approval.

Any semiconductor devices have inherently a certain rate of failure. You must protect against injury, damage or loss from such failures by incorporating safety design measures into your facility and equipment such as redundancy, fire protection, and prevention of over-current levels and other abnormal operating conditions.

If any products described in this document represent goods or technologies subject to certain restrictions on export under the Foreign Exchange and Foreign Trade Control Law of Japan, the prior authorization by Japanese government should be required for export of those products from Japan.