

ASSP

1 CHANNEL 8-BIT VIDEO A/D CONVERTER

MB40558

DESCRIPTION

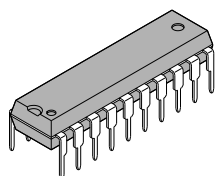
The Fujitsu MB40558 is a low power ultra-high speed video A/D converter fabricated with Fujitsu Advanced Bipolar Technology. The MB40558 also adopts the fully-parallel comparison technique (flash method) for high speed conversion and can convert wide bandanalog signal such as video signal to digital signal at sampling rate of DC through 40 Mega-samples/sec. Because of such high speed operation, the MB40558 is suitable for digital video applications such as the digital TV, video processing with computer, or ladder signal processing.

FEATURES

- Resolution: 8 bits
- Linearity Error: $\pm 0.15\%$
- Maximum Conversion Rate: 40 MSPS (min.)
- Digital I/O Level: TTL Compatible
- Analog Input Voltage: 3.0V to 5.0V(2Vp-p)
- Single Power Supply: 5.0V
- Power dissipation: 350 mW (typ.)
- Further Function: On Chip Reference Voltage Generator
- Package: Standard 20-pin Plastic DIP Package: Suffix: -P
Standard 20-pin Plastic Flat Package: Suffix: -PF

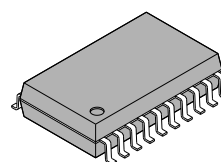
PACKAGES

Plastic DIP, 20 pin



(DIP-20P-M01)

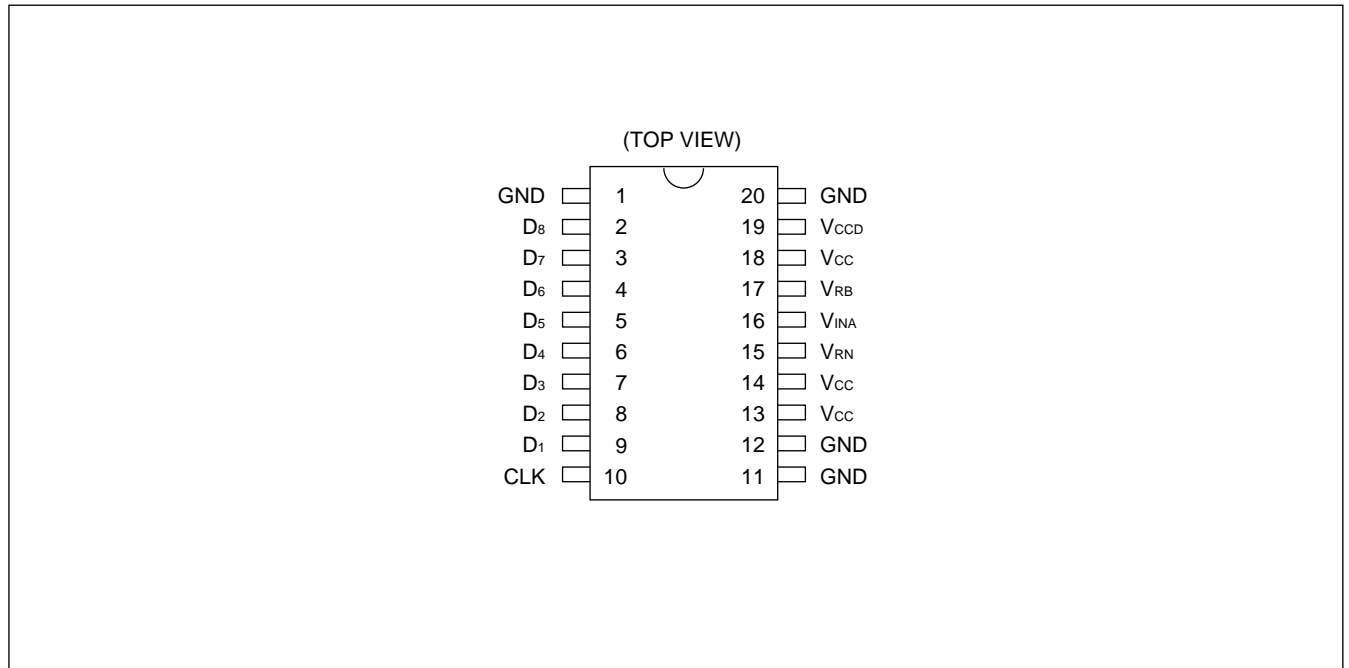
Plastic FPT, 20 pin



(FPT-20P-M02)

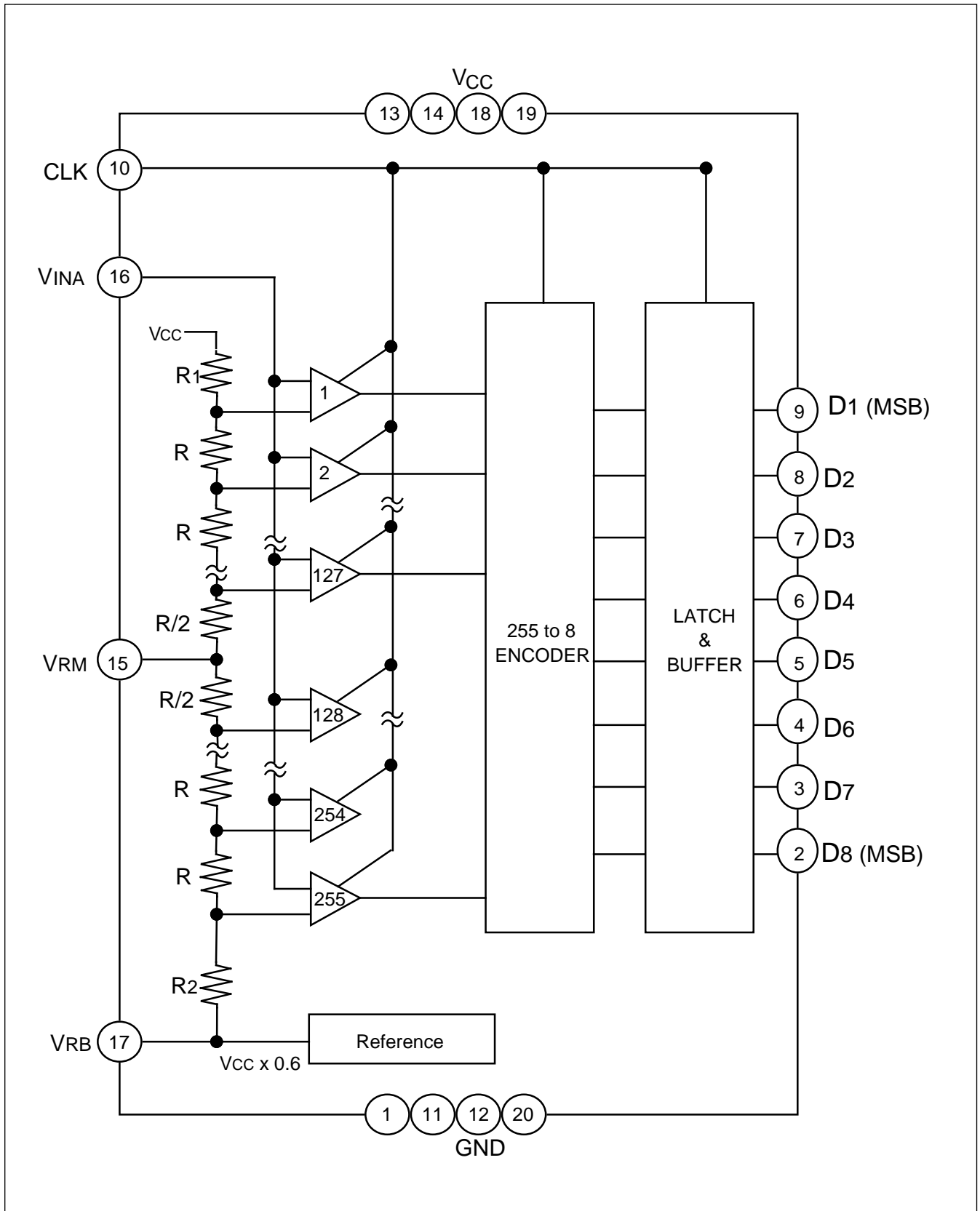
MB40558

■ PIN ASSIGNMENT



MB40558

■ BLOCK DIAGRAM



MB40558

■ ABSOLUTE MAXIMUM RATINGS

Parameter	Symbol	Value	Unit
Power supply voltage	V_{CC}	-0.5 to +7.0	V
Digital input voltage	V_{IND}	-0.5 to +7.0	V
Analog input voltage	V_{INA}	-0.5 to $V_{CC} + 0.5$	V
Storage temperature	T_{stg}	-55 to +150	°C

Note: Permanent device damage may occur if the above **Absolute Maximum Ratings** are exceeded. Functional operation should be restricted to the conditions as detailed in the operational sections of this data sheet. Exposure to absolute maximum rating conditions for extended periods may affect device reliability.

■ RECOMMENDED OPERATING CONDITIONS

Parameter	Symbol	Value			Unit
		Min.	Typ.	Max.	
Power supply voltage	V_{CC}	4.75	5.00	5.25	V
Analog input voltage	V_{INA}	V_{RB}	—	V_{CC}	V
Digital high-level output current	I_{OH}	-400	—	—	μA
Digital low-level output current	I_{OL}	—	—	1.6	mA
Clock pulse width at high-level	t_{w+}	11.5	—	—	ns
Clock pulse width at low-level	t_{w-}	11.5	—	—	ns
Operating temperature	T_a	-20	—	70	°C

■ ELECTRICAL CHARACTERISTICS

ANALOG DC CHARACTERISTICS

(V_{CC} = 5V ±5%, GND = 0V, Ta = -20 to +70°C)

Parameter	Symbol	Value			Unit
		Min.	Typ.	Max.	
Resolution	—	—	8	—	bits
Linearity error	LE	—	±0.15	±0.3	%
Differential linearity error	DLE	—	±0.12	—	%
Equivalent resistance for analog input	R _{INA}	0.18	2.8	—	MΩ
Analog input capacitance	C _{INA}	—	40	—	pF
Analog high-level input current	I _{IHA}	—	—	195	μA
Analog low-level input current	I _{ILA}	—	—	185	μA
Reference voltage	V _{RB}	0.6 × V _{CC} - 0.1	0.6 × V _{CC}	0.6 × V _{CC} + 0.1	V
Power supply current	I _{CC}	—	70*	130	mA

* : V_{CC} = 5.0V, Ta = +25°C

DIGITAL DC CHARACTERISTICS

(V_{CC} = 5 V ±5%, GND = 0V, Ta = -20 to +70°C)

Parameter	Symbol	Value			Unit
		Min.	Typ.	Max.	
High-level output voltage	V _{OHD}	2.7	—	—	V
Low-level output voltage	V _{OLD}	—	—	0.4	V
High-level input voltage	V _{IHD}	2.0	—	—	V
Low-level input voltage	V _{ILD}	—	—	0.8	V
High-level input current	I _{IHD}	—	—	20	μA
Low-level input current	I _{ILD}	-100	—	—	μA

SWITCHING CHARACTERISTICS

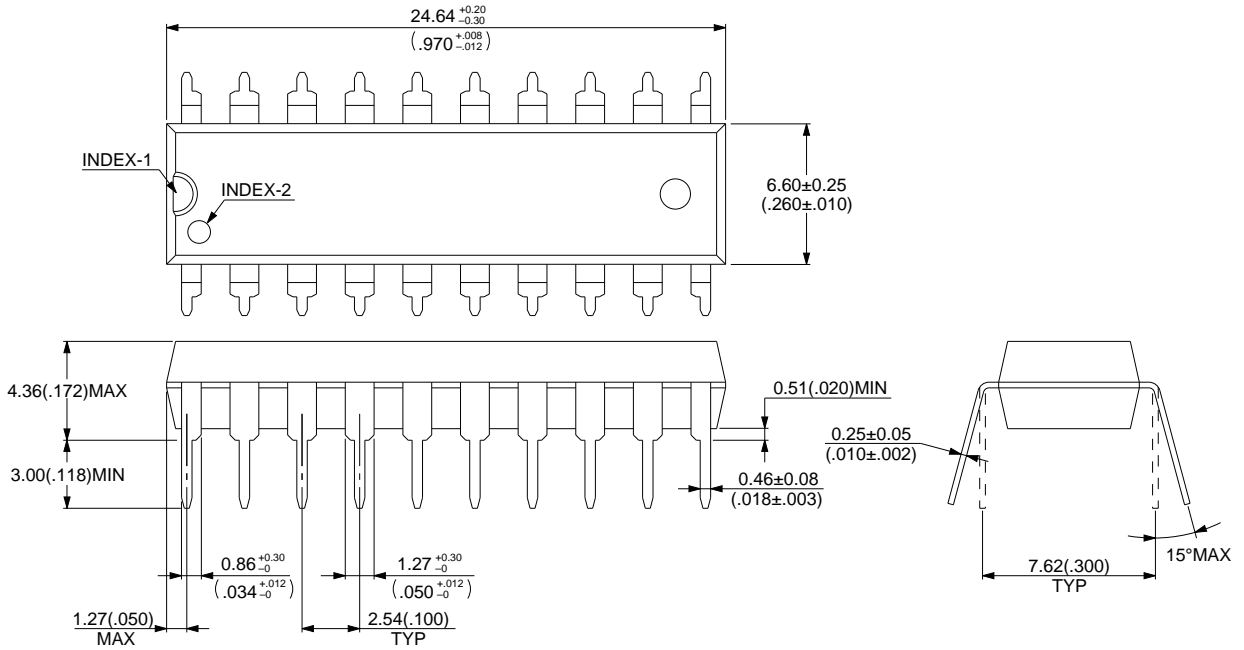
(V_{CC} = 5 V ±5%, GND = 0V, Ta = -20 to +70°C)

Parameter	Symbol	Value			Unit
		Min.	Typ.	Max.	
Maximum conversion rate	f _s	40	—	—	MSPS
Digital output delay time	t _{pd}	6	11	21	ns

MB40558

■ PACKAGE DIMENSIONS

20 pin, Plastic DIP
(DIP-20P-M01)

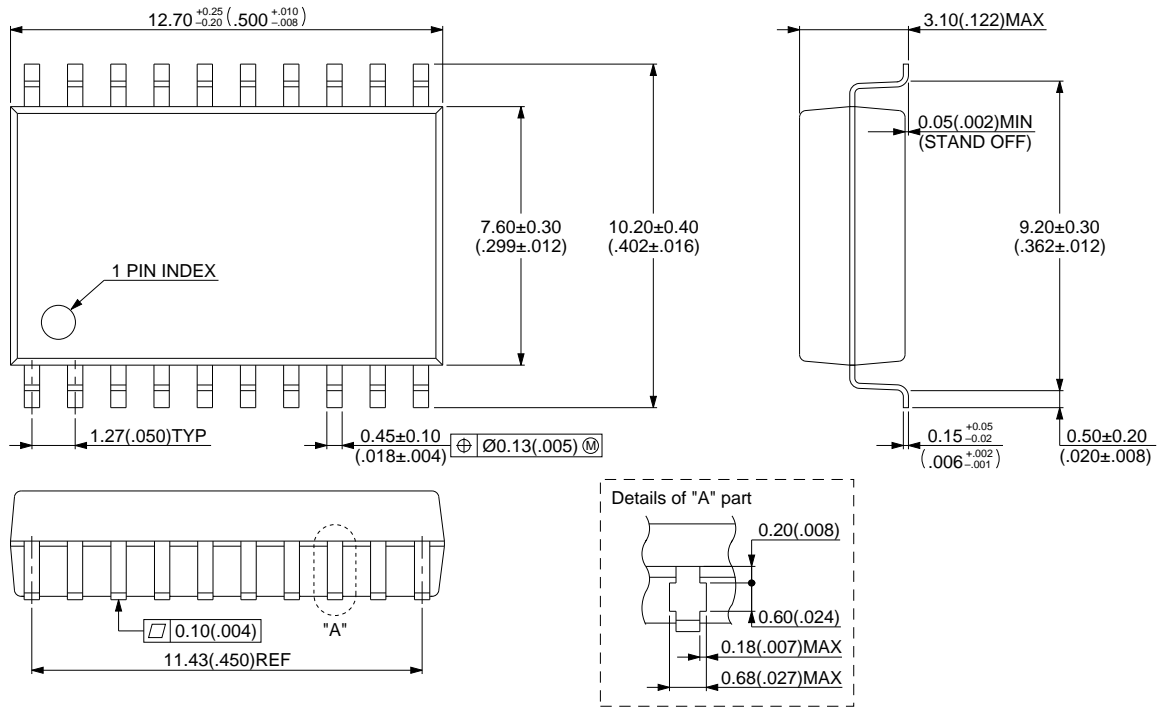


© 1994 FUJITSU LIMITED D20005S-3C-3

Dimensions in mm(inches)

MB40558

20 pin, Plastic SOP
(FPT-20P-M02)



© 1994 FUJITSU LIMITED F20006S-4C-4

Dimensions in mm(inch)

FUJITSU LIMITED

For further information please contact:

Japan

FUJITSU LIMITED
Corporate Global Business Support Division
Electronic Devices
KAWASAKI PLANT, 4-1-1, Kamikodanaka
Nakahara-ku, Kawasaki-shi
Kanagawa 211-88, Japan
Tel: (044) 754-3763
Fax: (044) 754-3329

North and South America

FUJITSU MICROELECTRONICS, INC.
Semiconductor Division
3545 North First Street
San Jose, CA 95134-1804, U.S.A.
Tel: (408) 922-9000
Fax: (408) 432-9044/9045

Europe

FUJITSU MIKROELEKTRONIK GmbH
Am Siebenstein 6-10
63303 Dreieich-Buchsschlag
Germany
Tel: (06103) 690-0
Fax: (06103) 690-122

Asia Pacific

FUJITSU MICROELECTRONICS ASIA PTE. LIMITED
#05-08, 151 Lorong Chuan
New Tech Park
Singapore 556741
Tel: (65) 281-0770
Fax: (65) 281-0220

All Rights Reserved.

The contents of this document are subject to change without notice. Customers are advised to consult with FUJITSU sales representatives before ordering.

The information and circuit diagrams in this document presented as examples of semiconductor device applications, and are not intended to be incorporated in devices for actual use. Also, FUJITSU is unable to assume responsibility for infringement of any patent rights or other rights of third parties arising from the use of this information or circuit diagrams.

FUJITSU semiconductor devices are intended for use in standard applications (computers, office automation and other office equipment, industrial, communications, and measurement equipment, personal or household devices, etc.).

CAUTION:

Customers considering the use of our products in special applications where failure or abnormal operation may directly affect human lives or cause physical injury or property damage, or where extremely high levels of reliability are demanded (such as aerospace systems, atomic energy controls, sea floor repeaters, vehicle operating controls, medical devices for life support, etc.) are requested to consult with FUJITSU sales representatives before such use. The company will not be responsible for damages arising from such use without prior approval.

Any semiconductor devices have inherently a certain rate of failure. You must protect against injury, damage or loss from such failures by incorporating safety design measures into your facility and equipment such as redundancy, fire protection, and prevention of over-current levels and other abnormal operating conditions.

If any products described in this document represent goods or technologies subject to certain restrictions on export under the Foreign Exchange and Foreign Trade Control Law of Japan, the prior authorization by Japanese government should be required for export of those products from Japan.