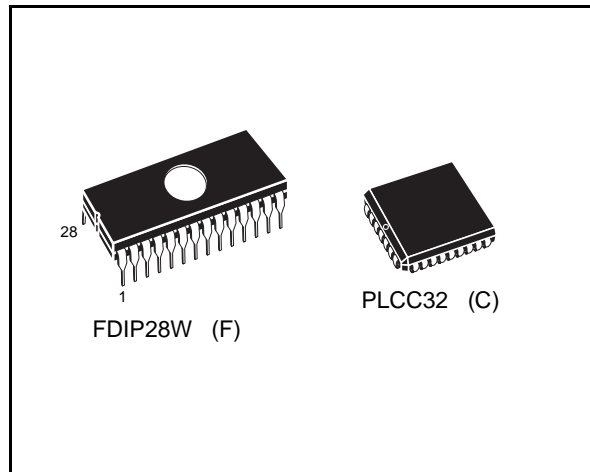


64 Kbit (8Kb x 8) UV EPROM and OTP EPROM

DATA BRIEFING

- 5V ± 10% SUPPLY VOLTAGE in READ OPERATION
- FAST ACCESS TIME: 100ns
- LOW POWER CONSUMPTION:
 - Active Current 30mA
 - Standby Current 100µA
- PROGRAMMING VOLTAGE: 12.5V ± 0.25V
- HIGH SPEED PROGRAMMING (less than 1 minute)
- ELECTRONIC SIGNATURE
 - Manufacturer Code: 9Bh
 - Device Code: 08h



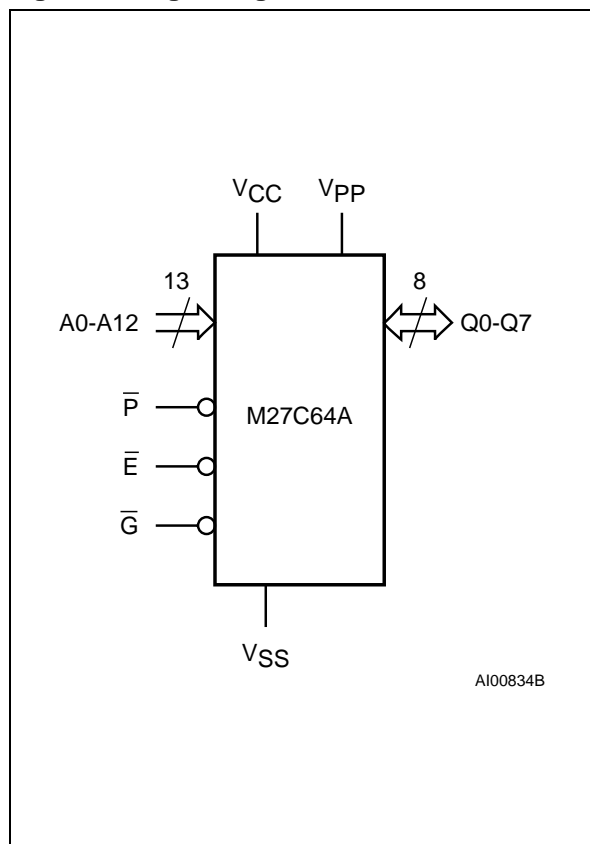
DESCRIPTION

The M27C64A is a 64Kbit EPROM offered in the two ranges UV (ultra violet erase) and OTP (one time programmable). It is ideally suited for micro-processor systems requiring large programs and is organized as 8,192 by 8 bits.

The FDIP28W (window ceramic frit-seal package) has transparent lid which allows the user to expose the chip to ultraviolet light to erase the bit pattern. A new pattern can then be written to the device by following the programming procedure.

For applications where the content is programmed only on time and erasure is not required, the M27C64A is offered in PLCC32 package.

Figure 1. Logic Diagram

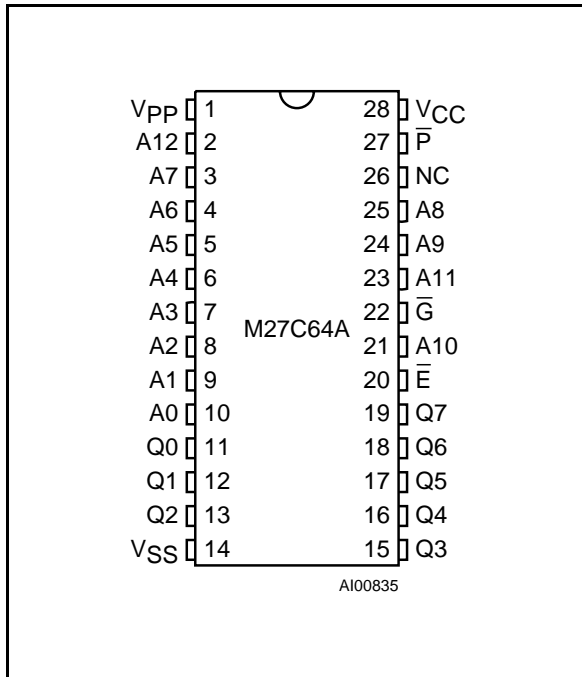


Signal Names

A0-A12	Address Inputs
Q0-Q7	Data Outputs
\bar{E}	Chip Enable
\bar{G}	Output Enable
\bar{P}	Program
V _{PP}	Program Supply
V _{CC}	Supply Voltage
V _{SS}	Ground

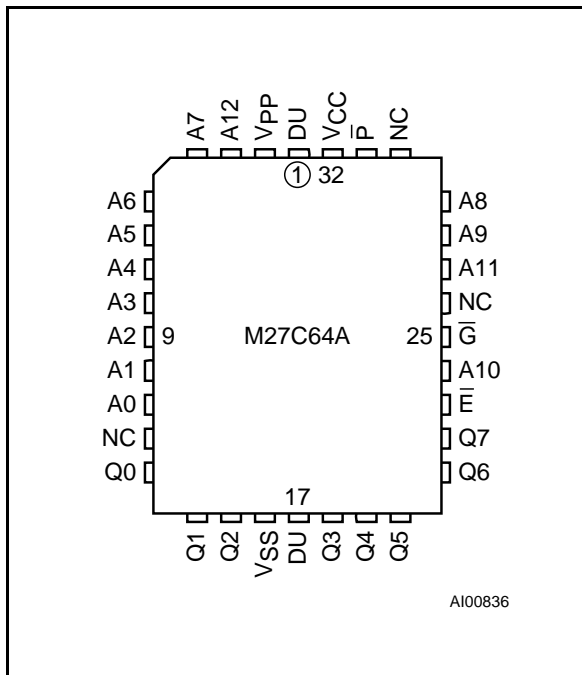
M27C64A

DIP Pin Connections



Warning: NC = Not Connected

LCC Pin Connections



Warning: NC = Not Connected, DU = Don't Use

Ordering Information Scheme

For a list of available options or for further information on any aspect of this device, please contact the SGS-THOMSON Sales Office nearest to you.

Example: M27C64A -15 C 1 TR

Speed	
10	100ns
15	150ns
20	200ns
Package	
F	FDIP28W
C	PLCC32
Temp. Range	
1	0 to 70 °C
6	-40 to 85 °C
Option	
X	Additional Burn-in
TR	Tape & Reel Packing