

## 2 Mbit (256Kb x 8) UV EPROM and OTP EPROM

### DATA BRIEFING

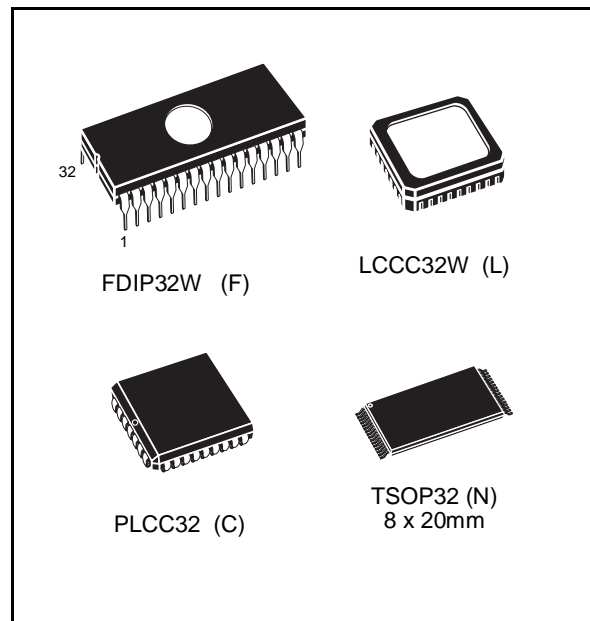
- 5V  $\pm$  10% SUPPLY VOLTAGE in READ OPERATION
- FAST ACCESS TIME: 35ns
- LOW POWER "CMOS" CONSUMPTION:
  - Active Current 30mA
  - Standby Current 100 $\mu$ A
- PROGRAMMING VOLTAGE: 12.75V  $\pm$  0.25V
- PROGRAMMING TIMES of AROUND 24sec. (PRESTO II ALGORITHM)
- ELECTRONIC SIGNATURE
  - Manufacturer Code: 20h
  - Device Code: 61h

### DESCRIPTION

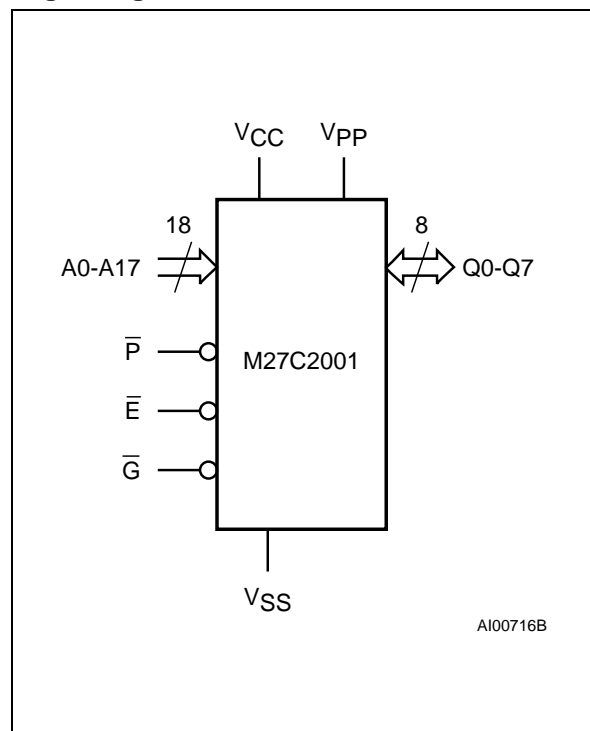
The M27C2001 is a high speed 2 Mbit EPROM offered in the two ranges UV (ultra violet erase) and OTP (one time programmable). It is ideally suited for microprocessor systems requiring large programs and is organised as 262,144 by 8 bits.

The FDIP32W (window ceramic frit-seal package) and LCCC32W (leadless chip carrier package) have a transparent lids which allow the user to expose the chip to ultraviolet light to erase the bit pattern. A new pattern can then be written to the device by following the programming procedure.

For applications where the content is programmed only one time and erasure is not required, the M27C2001 is offered in both PLCC32 and TSOP32 (8 x 20 mm) packages.

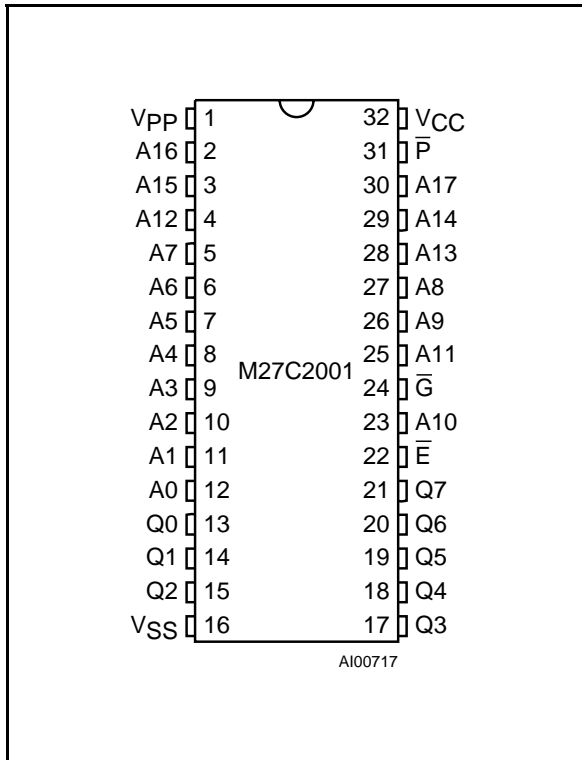


### Logic Diagram

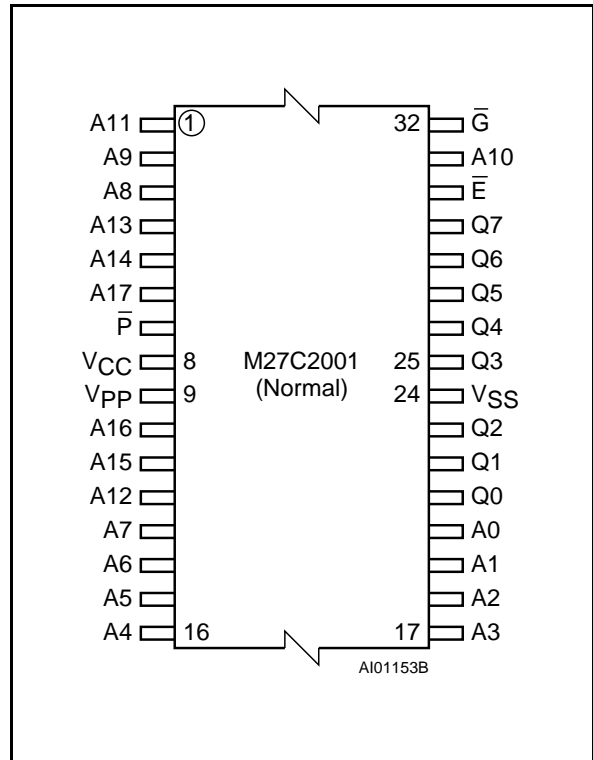


# M27C2001

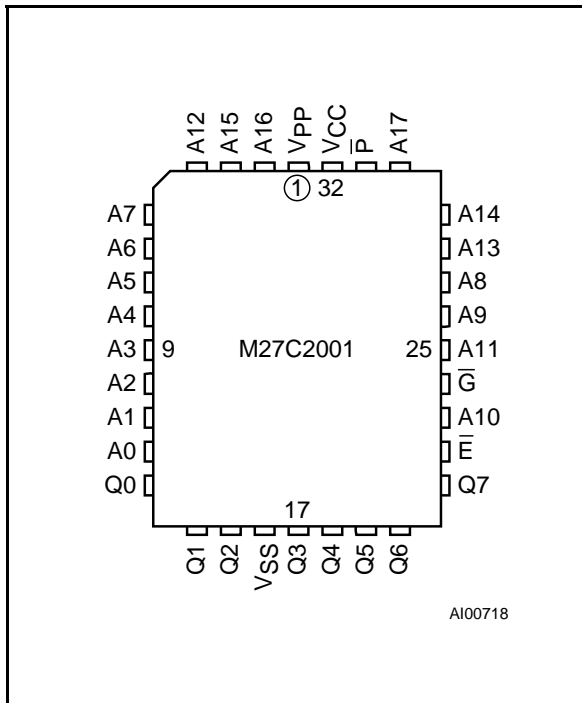
## DIP Pin Connections



## TSOP Pin Connections



## LCC Pin Connections



## Signal Names

A0-A17	Address Inputs
Q0-Q7	Data Outputs
E	Chip Enable
G	Output Enable
P	Program
V <sub>PP</sub>	Program Supply
V <sub>CC</sub>	Supply Voltage
V <sub>SS</sub>	Ground

## ORDERING INFORMATION SCHEME

Example: M27C2001 -80 X C 1 X

Speed		V <sub>CC</sub> Tolerance		Package		Temperature Range		Option	
-35 <sup>(1)</sup>	35 ns	X	± 5%	F	FDIP32W	1	0 to 70 °C	X	Additional Burn-in
-55 <sup>(1)</sup>	55 ns	blank	± 10%	L	LCCC32W	6	-40 to 85 °C	TR	Tape & Reel Packing
-70	70 ns			C	PLCC32				
-80	80 ns			N	TSOP32 8 x 20mm				
-90	90 ns								
-10	100 ns								
-12	120 ns								
-15	150 ns								
-20	200 ns								
-25	250 ns								

**Note:** 1. High Speed, see AC Characteristics section for further information.

For a list of available options (Speed, Package, etc...) or for further information on any aspect of this device, please contact the SGS-THOMSON Sales Office nearest to you.