

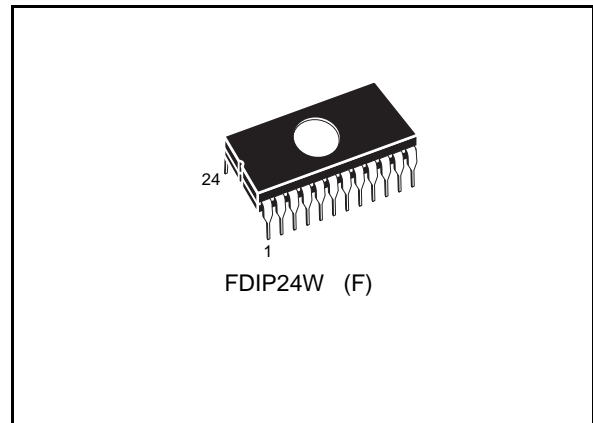
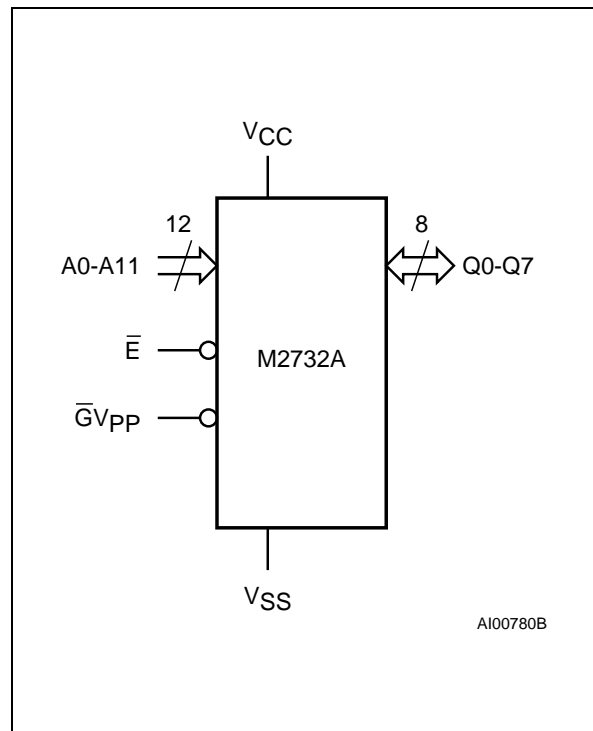
32 Kbit (4Kb x 8) NMOS UV EPROM
DATA BRIEFING

- FAST ACCESS TIME: 200ns
- EXTENDED TEMPERATURE RANGE
- SINGLE 5V SUPPLY VOLTAGE
- LOW STANDBY CURRENT: 35mA max
- INPUTS and OUTPUTS TTL COMPATIBLE DURING READ and PROGRAM
- COMPLETELY STATIC

DESCRIPTION

The M2732A is a 32,768 bit UV erasable and electrically programmable memory EPROM. It is organized as 4,096 words by 8 bits. The M2732A with its single 5V power supply and with an access time of 200 ns, is ideal suited for applications where fast turn around and pattern experimentation are important requirements.

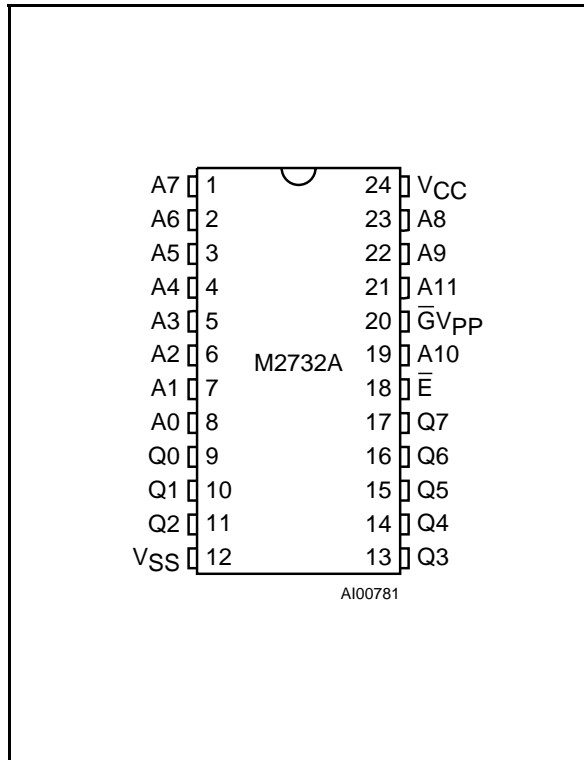
The M2732A is housed in a 24 pin Window Ceramic Frit-Seal Dual-in-Line package. The transparent lid allows the user to expose the chip to ultraviolet light to erase the bit pattern. A new pattern can be then written to the device by following the programming procedure.


Logic Diagram

Signal Names

A0-A11	Address Inputs
Q0-Q7	Data Outputs
\bar{E}	Chip Enable
$\bar{G}V_{PP}$	Output Enable / Program Supply
V_{CC}	Supply Voltage
V_{SS}	Ground

M2732A

DIP Pin Connections



Ordering Information Scheme

For a list of available options or for further information on any aspect of this device, please contact the SGS-THOMSON Sales Office nearest to you.

Example: M2732A -2 F 1

Speed and V _{CC} Tolerance	Package	Temp. Range
-2 200ns, 5V±5%	F FDIP24W	1 0 to 70 °C
blank 250ns, 5V±5%		6 -40 to 85 °C
-3 300ns, 5V±5%		
-4 450ns, 5V±5%		
-20 200ns, 5V±10%		
-25 250ns, 5V±10%		