



# LC4102C

## LCD Dot Matrix Common Driver for STN Displays

### Overview

The LC4102C is a common driver for large-scale dot matrix LCD panels. It includes a 160-bit bidirectional shift register and 4-level LCD driver circuits. The number of bits can be further increased by using the provided input and output pins to connect multiple LC4102Cs in cascade. The LC4102C and LC4104C form a large-screen LCD panel driver chip set.

### Features

- Fabricated in a CMOS (P-sub) high-voltage process.
- LCD drive voltage: 36 V
- Logic system power-supply voltage: 2.7 to 5.5 V
- fcp max: 2.5 MHz
- Slim chip (output pads are concentrated on one of the longer sides)
- Bidirectional shift register
- The shift register can be split into two 80-bit registers. (Two screens drivable)
- DISPOFF function that locks the drive voltages output to the LCD at fixed levels.
- Display duty: 1/160 to 1/480
- Appropriate for COG (chip on glass) mounting. (A gold bump structure is adopted in the pad areas.)

### Specifications

The electrical characteristics values shown below are for devices packaged in the Sanyo standard PGA-208 package.

#### Absolute Maximum Ratings at $V_{SS} = 0$

Parameter	Symbol	Applicable pins	min	typ	max	Unit
Supply voltage	$V_{DD}$ max	$V_{DD}$	-0.3		7.0	V
	$V_{EE}$ max	$V_{EE}$	-0.3		40.0	V
	$V_{SS}$ max	$V_{SSH}$	-0.3		0.3	V
Input voltage	$V_{IN}$	*1	-0.3		$V_{DD} + 0.3$	V
	$V_0, V_1$	$V_0, V_1$ *2	$V_{EE} - 7.0$		$V_{EE} + 0.3$	V
	$V_4$	$V_4$ *2	-0.3		$V_{SS} + 7.0$	V
	$V_5$	$V_5$ *2	-0.3		+0.3	V
Operating temperature	$T_{opr}$		-20		+75	°C
Storage temperature	$T_{stg}$		-55		+125	°C

Note: 1. LOAD, RS/LS, DISP, DF, DIO1, DIO160, DMIN and MODE

2. The voltages  $V_0, V_1, V_4,$  and  $V_5$  must obey the relationships  $V_{EE} \geq V_0 \geq V_1 \geq V_{EE} - 7 V$ , and  $7 V \geq V_4 \geq V_5 \geq V_{SSH}$ .

#### Allowable Operating Ranges at $V_{SS} = 0, T_a = -20$ to $+75^\circ\text{C}$

Parameter	Symbol	Applicable pins	min	typ	max	Unit
Supply voltage	$V_{DD}$	$V_{DD}$	2.7		5.5	V
	$V_{EE}$	$V_{EE}$	14		36	V
	$V_{SSH}$	$V_{SSH}$		0		V
Input high-level voltage	$V_{IH}$	*1	$0.8 \times V_{DD}$		$V_{DD}$	V
Input low-level voltage	$V_{IL}$	*1	0		$0.2 \times V_{DD}$	V
Input voltage	$V_0, V_1$	$V_0, V_1$ *2	$V_{EE} - 7.0$		$V_{EE}$	V
	$V_4$	$V_4$ *2	0		$V_{SSH} + 7.0$	V
	$V_5$	$V_5$ *2		0		V

Note: 1. LOAD, RS/LS, DISP, DF, DIO1, DIO160, DMIN and MODE

2. The voltages  $V_0, V_1, V_4,$  and  $V_5$  must obey the relationships  $V_{EE} \geq V_0 \geq V_1 \geq V_{EE} - 7 V$ , and  $7 V \geq V_4 \geq V_5 \geq V_{SSH}$ .

When turning on the power supplies, first turn on the logic system power supply and then turn on the high-voltage system power supply; alternatively, turn both on at the same time.

When turning off the power supplies, first turn off the high-voltage system power supply and then turn off the logic system power supply; alternatively, turn both off at the same time.

**SANYO Electric Co., Ltd. Semiconductor Business Headquarters**

TOKYO OFFICE Tokyo Bldg., 1-10, 1 Chome, Ueno, Taito-ku, TOKYO, 110-8534 JAPAN

## LC4102C

### Electrical Characteristics at $T_a = -20$ to $+75^\circ\text{C}$ , $V_{DD} = 2.7$ to $5.5$ V, $V_{SS} = 0$ V

Parameter	Symbol	Conditions	min	typ	max	Unit
Input high-level current	$I_{IH}$	$V_{IN} = V_{DD}^{*1}$			1	$\mu\text{A}$
Input low-level current	$I_{IL}$	$V_{IN} = V_{SS}^{*1}$	-1			
Output high-level voltage	$V_{OH}$	$I_{OH} = -0.4$ mA, DIO1, DIO160	$0.8 \times V_{DD}$		$V_{DD}$	V
Output low-level voltage	$V_{OL}$	$I_{OL} = 0.4$ mA, DIO1, DIO160	$V_{SS}$		$0.2 \times V_{DD}$	
Output on resistance	RON0	$V_{OUT} = V_0 - 0.5$ V *2, OUT1 to 160			1000	$\Omega$
	RON1	$V_{OUT} = V_1 - 0.5$ V *2, OUT1 to 160			1000	
	RON4	$V_{OUT} = V_4 + 0.5$ V *2, OUT1 to 160			1000	
	RON5	$V_{OUT} = V_5 + 0.5$ V *2, OUT1 to 160			1000	
Current drain 1	$I_{DD}$	$V_{DD}^{*3}$			200	$\mu\text{A}$
Current drain 2	$I_{DDH}$	$V_{DD}^{*4}$			500	

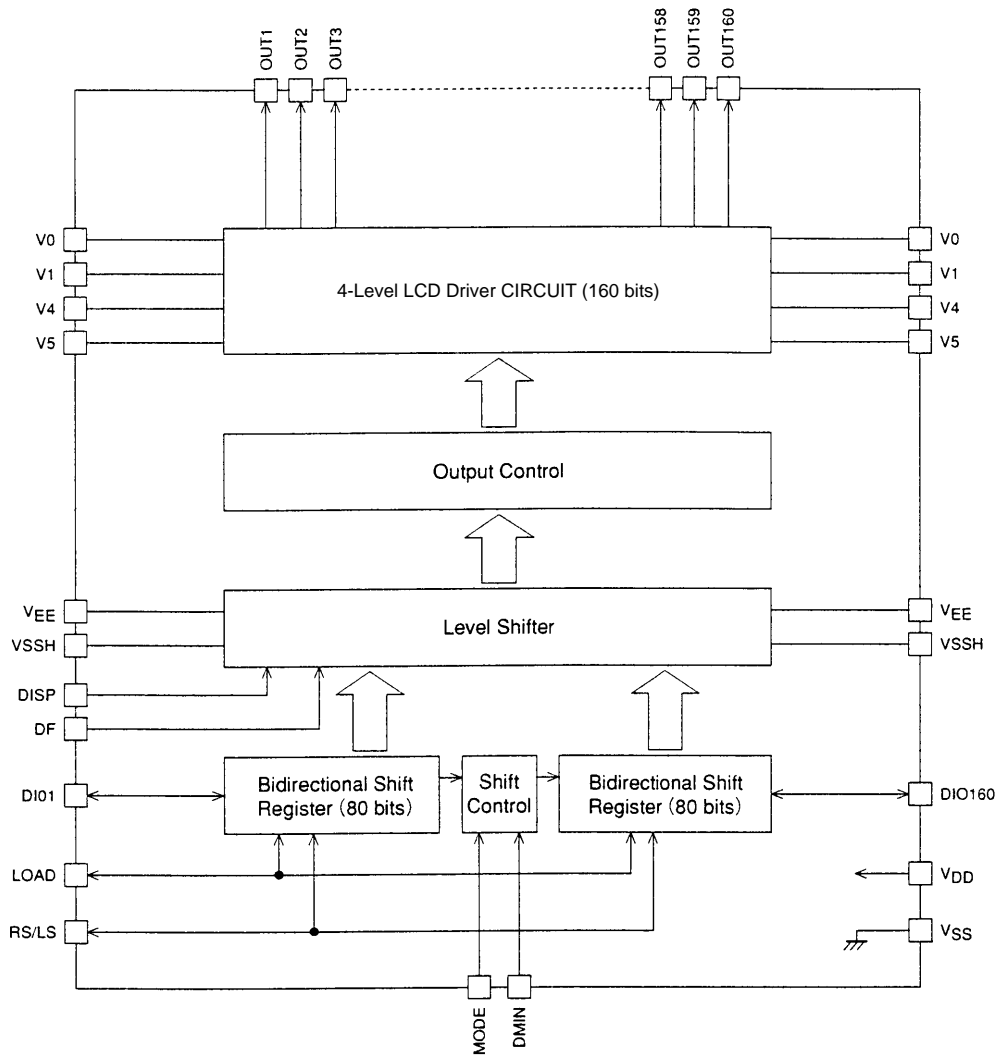
Note: 1. LOAD, RS/LS, DISP, DF, DIO1, DIO160, DMIN and MODE

2.  $V_{OUT}$  is the voltage applied by on-state outputs.  $V_0 = V_{EE}$ ,  $V_1 = 19/20 (V_{EE} - V_{SSH})$ ,  $V_4 = 1/20 (V_{EE} - V_{SSH})$ ,  $V_5 = V_{SSH}$ ,  $V_{SSH} = V_{SS}$

3.  $V_{DD} = 2.7$  to  $5.5$  V,  $f_{CP} = 50$  kHz

4.  $f_{DF} = 100$  Hz, with no output load,  $V_{EE} = 36$  V, for a single data shift

### Block Diagram



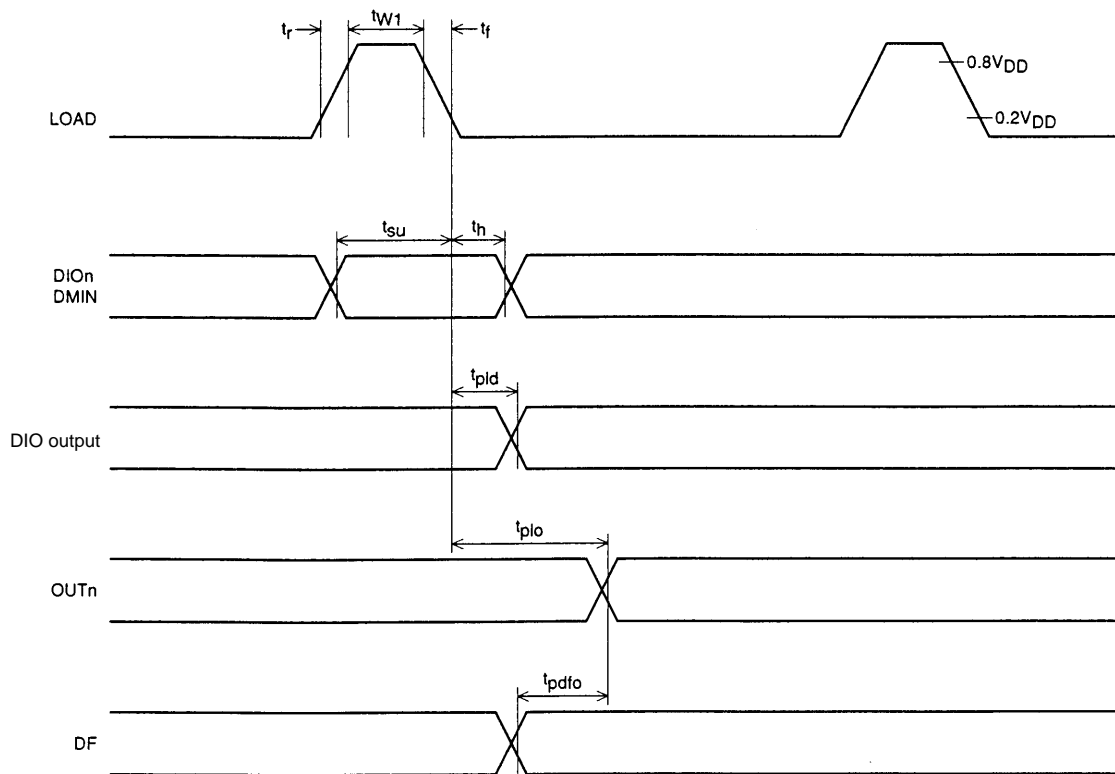
A09114

## LC4102C

### Switching Characteristics at $V_{DD} = 2.7$ to $5.5$ V, $T_a = -20$ to $+75^\circ\text{C}$ , $V_{SS} = 0$ V

Parameter	Symbol	Conditions	min	typ	max	Unit
Clock frequency	fload	LOAD			2.5	MHz
High-level clock pulse width	twl	LOAD	100			ns
Input setup time	tsu	LOAD, DIO <sub>n</sub>	100			
Input hold time	th	DMIN	30			
LOAD falling time	tr	LOAD			30	
LOAD rising time	tf	LOAD			30	
DIO output delay time	tpld	LOAD, DIO <sub>n</sub> : 30 pF capacitance load			200	
LOAD-on delay time	tplo	LOAD, OUT <sub>n</sub> : 100 pF capacitance load			1.0	μs
DF-on delay time	tpdfo	DF, OUT <sub>n</sub> : 100 pF capacitance load			1.0	

### Switching Characteristics



A09115

## LC4102C

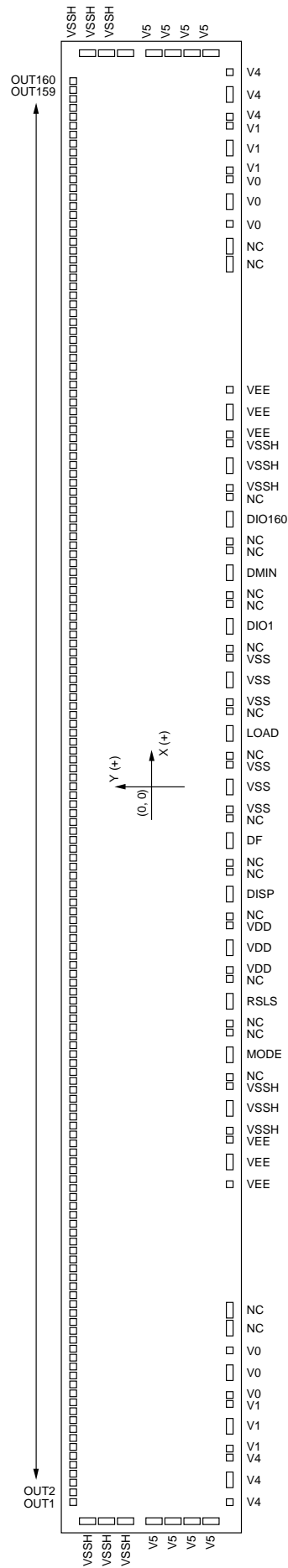
### Pin Functions

Symbol	I/O	Function																														
OUT1 to OUT160	O	LCD drive outputs																														
		<table border="1" style="margin-left: auto; margin-right: auto;"> <thead> <tr> <th>DF</th> <th>Data</th> <th>DISP</th> <th>OUTn</th> </tr> </thead> <tbody> <tr> <td>L</td> <td>H</td> <td>H</td> <td>V0</td> </tr> <tr> <td>H</td> <td>L</td> <td>H</td> <td>V1</td> </tr> <tr> <td>L</td> <td>L</td> <td>H</td> <td>V4</td> </tr> <tr> <td>H</td> <td>H</td> <td>H</td> <td>V5</td> </tr> <tr> <td>*</td> <td>*</td> <td>L</td> <td>V5</td> </tr> </tbody> </table>	DF	Data	DISP	OUTn	L	H	H	V0	H	L	H	V1	L	L	H	V4	H	H	H	V5	*	*	L	V5						
		DF	Data	DISP	OUTn																											
		L	H	H	V0																											
		H	L	H	V1																											
		L	L	H	V4																											
H	H	H	V5																													
*	*	L	V5																													
*: don't care																																
V0	I	V0 level drive voltage input																														
V1	I	V1 level drive voltage input																														
V4	I	V4 level drive voltage input																														
V5	I	V5 level drive voltage input																														
V <sub>EE</sub>	—	High-voltage block power supply																														
V <sub>SSH</sub>	—	High-voltage block ground																														
DISP	I	All outputs will be held at a fixed V5 level when this pin is low.																														
DF	I	Alternation input																														
LOAD	I	Data shift pulse input (falling edge)																														
MODE	I	Data shift direction specification input																														
RS/LS	I																															
DIO1 DMIN DIO160	I/O	<table border="1" style="margin-left: auto; margin-right: auto;"> <thead> <tr> <th>MODE</th> <th>RS/LS</th> <th>Shift direction</th> <th>DIO1</th> <th>DIO160</th> <th>DMIN</th> </tr> </thead> <tbody> <tr> <td>L</td> <td>L</td> <td>OUT160 → OUT1</td> <td>OUT</td> <td>IN</td> <td>*</td> </tr> <tr> <td>L</td> <td>H</td> <td>OUT1 → OUT160</td> <td>IN</td> <td>OUT</td> <td>*</td> </tr> <tr> <td>H</td> <td>L</td> <td>OUT160 → OUT81 OUT80 → OUT1</td> <td>OUT</td> <td>IN</td> <td>IN</td> </tr> <tr> <td>H</td> <td>H</td> <td>OUT1 → OUT80 OUT81 → OUT160</td> <td>IN</td> <td>OUT</td> <td>IN</td> </tr> </tbody> </table>	MODE	RS/LS	Shift direction	DIO1	DIO160	DMIN	L	L	OUT160 → OUT1	OUT	IN	*	L	H	OUT1 → OUT160	IN	OUT	*	H	L	OUT160 → OUT81 OUT80 → OUT1	OUT	IN	IN	H	H	OUT1 → OUT80 OUT81 → OUT160	IN	OUT	IN
	MODE	RS/LS	Shift direction	DIO1	DIO160	DMIN																										
	L	L	OUT160 → OUT1	OUT	IN	*																										
	L	H	OUT1 → OUT160	IN	OUT	*																										
H	L	OUT160 → OUT81 OUT80 → OUT1	OUT	IN	IN																											
H	H	OUT1 → OUT80 OUT81 → OUT160	IN	OUT	IN																											
I																																
I/O																																
*: don't care (Must be fixed at low or high.)																																
V <sub>DD</sub>	—	Logic system power supply																														
V <sub>SS</sub>	—	Logic system ground																														

Note: \* This IC is sensitive to ESD care must be used when handling this device.

# LC4102C

## Pad Assignment



Chip size: 15.75 mm × 1.95 mm

## LC4102C

### LC4102C Pad Coordinates

Pin	X coordinate	Y coordinate	Pad type	Pin	X coordinate	Y coordinate	Pad type
V <sub>SSH</sub>	-7708.4	349.5	A	V <sub>SS</sub>	250.0	-799.5	B
V <sub>SSH</sub>	-7708.4	209.5	A	NC	350.0	-799.5	B
V <sub>SSH</sub>	-7708.4	69.5	A	LOAD	600.0	-799.5	C
V5	-7708.4	-200.5	A	NC	850.0	-784.5	B
V5	-7708.4	-340.5	A	V <sub>SS</sub>	950.0	-784.5	B
V5	-7708.4	-480.5	A	V <sub>SS</sub>	1200.0	-784.5	C
V5	-7708.4	-620.5	A	V <sub>SS</sub>	1450.0	-784.5	B
V4	-7570.0	-777.0	B	NC	1550.0	-784.5	B
V4	-7320.0	-777.0	C	DIO1	1800.0	-799.5	C
V4	-7070.0	-777.0	B	NC	2050.0	-799.5	B
V1	-6850.0	-777.0	B	NC	2150.0	-799.5	B
V1	-6600.0	-777.0	C	DMIN	2400.0	-799.5	C
V1	-6350.0	-777.0	B	NC	2650.0	-799.5	B
V0	-6250.0	-777.0	B	NC	2750.0	-799.5	B
V0	-6000.0	-777.0	C	DIO160	3000.0	-799.5	C
V0	-5750.0	-777.0	B	NC	3250.0	-799.5	B
NC	-5600.0	-764.5	A	V <sub>SSH</sub>	3350.0	-799.5	B
NC	-5460.0	-764.5	A	V <sub>SSH</sub>	3600.0	-799.5	C
V <sub>EE</sub>	-4450.0	-799.5	B	V <sub>SSH</sub>	3850.0	-799.5	B
V <sub>EE</sub>	-4200.0	-799.5	C	V <sub>EE</sub>	3950.0	-799.5	B
V <sub>EE</sub>	-3950.0	-799.5	B	V <sub>EE</sub>	4200.0	-799.5	C
V <sub>SSH</sub>	-3850.0	-799.5	B	V <sub>EE</sub>	4450.0	-799.5	B
V <sub>SSH</sub>	-3600.0	-799.5	C	NC	5460.0	-779.5	A
V <sub>SSH</sub>	-3350.0	-799.5	B	NC	5600.0	-779.5	A
NC	-3250.0	-799.5	B	V0	5750.0	-779.5	B
MODE	-3000.0	-799.5	C	V0	6000.0	-779.5	C
NC	-2750.0	-799.5	B	V0	6250.0	-779.5	B
NC	-2650.0	-799.5	B	V1	6350.0	-779.5	B
RSLs	-2400.0	-799.5	C	V1	6600.0	-779.5	C
NC	-2150.0	-799.5	B	V1	6850.0	-779.5	B
V <sub>DD</sub>	-2050.0	-799.5	B	V4	7000.0	-779.5	B
V <sub>DD</sub>	-1800.0	-799.5	C	V4	7250.0	-779.5	C
V <sub>DD</sub>	-1550.0	-799.5	B	V4	7500.0	-779.5	B
NC	-1450.0	-799.5	B	V5	7708.4	-620.5	A
DISP	-1200.0	-799.5	C	V5	7708.4	-480.5	A
NC	-950.0	-799.5	B	V5	7708.4	-340.5	A
NC	-850.0	-799.5	B	V5	7708.4	-200.5	A
DF	-600.0	-799.5	C	V <sub>SSH</sub>	7708.4	69.5	A
NC	-350.0	-799.5	B	V <sub>SSH</sub>	7708.4	209.5	A
V <sub>SS</sub>	-250.0	-799.5	B	V <sub>SSH</sub>	7708.4	349.5	A
V <sub>SS</sub>	0.0	-799.5	C				

Pad type	Size
A	100 μm × 60 μm
B	60 μm × 60 μm
C	120 μm × 60 μm
D	75 μm × 60 μm

Continued on next page.

## LC4102C

Continued from preceding page.

Pin	X coordinate	Y coordinate	Pad type	Pin	X coordinate	Y coordinate	Pad type
OUT1	-7551.5	707.5	D	OUT51	-2801.5	707.5	D
OUT2	-7456.5	707.5	D	OUT52	-2706.5	707.5	D
OUT3	-7361.5	707.5	D	OUT53	-2611.5	707.5	D
OUT4	-7266.5	707.5	D	OUT54	-2516.5	707.5	D
OUT5	-7171.5	707.5	D	OUT55	-2421.5	707.5	D
OUT6	-7076.5	707.5	D	OUT56	-2326.5	707.5	D
OUT7	-6981.5	707.5	D	OUT57	-2231.5	707.5	D
OUT8	-6886.5	707.5	D	OUT58	-2136.5	707.5	D
OUT9	-6791.5	707.5	D	OUT59	-2041.5	707.5	D
OUT10	-6696.5	707.5	D	OUT60	-1946.5	707.5	D
OUT11	-6601.5	707.5	D	OUT61	-1851.5	707.5	D
OUT12	-6506.5	707.5	D	OUT62	-1756.5	707.5	D
OUT13	-6411.5	707.5	D	OUT63	-1661.5	707.5	D
OUT14	-6316.5	707.5	D	OUT64	-1566.5	707.5	D
OUT15	-6221.5	707.5	D	OUT65	-1471.5	707.5	D
OUT16	-6126.5	707.5	D	OUT66	-1376.5	707.5	D
OUT17	-6031.5	707.5	D	OUT67	-1281.5	707.5	D
OUT18	-5936.5	707.5	D	OUT68	-1186.5	707.5	D
OUT19	-5841.5	707.5	D	OUT69	-1091.5	707.5	D
OUT20	-5746.5	707.5	D	OUT70	-996.5	707.5	D
OUT21	-5651.5	707.5	D	OUT71	-901.5	707.5	D
OUT22	-5556.5	707.5	D	OUT72	-806.5	707.5	D
OUT23	-5461.5	707.5	D	OUT73	-711.5	707.5	D
OUT24	-5366.5	707.5	D	OUT74	-616.5	707.5	D
OUT25	-5271.5	707.5	D	OUT75	-521.5	707.5	D
OUT26	-5176.5	707.5	D	OUT76	-426.5	707.5	D
OUT27	-5081.5	707.5	D	OUT77	-331.5	707.5	D
OUT28	-4986.5	707.5	D	OUT78	-236.5	707.5	D
OUT29	-4891.5	707.5	D	OUT79	-141.5	707.5	D
OUT30	-4796.5	707.5	D	OUT80	-46.5	707.5	D
OUT31	-4701.5	707.5	D	OUT81	48.5	707.5	D
OUT32	-4606.5	707.5	D	OUT82	143.5	707.5	D
OUT33	-4511.5	707.5	D	OUT83	238.5	707.5	D
OUT34	-4416.5	707.5	D	OUT84	333.5	707.5	D
OUT35	-4321.5	707.5	D	OUT85	428.5	707.5	D
OUT36	-4226.5	707.5	D	OUT86	523.5	707.5	D
OUT37	-4131.5	707.5	D	OUT87	618.5	707.5	D
OUT38	-4036.5	707.5	D	OUT88	713.5	707.5	D
OUT39	-3941.5	707.5	D	OUT89	808.5	707.5	D
OUT40	-3846.5	707.5	D	OUT90	903.5	707.5	D
OUT41	-3751.5	707.5	D	OUT91	998.5	707.5	D
OUT42	-3656.5	707.5	D	OUT92	1093.5	707.5	D
OUT43	-3561.5	707.5	D	OUT93	1188.5	707.5	D
OUT44	-3466.5	707.5	D	OUT94	1283.5	707.5	D
OUT45	-3371.5	707.5	D	OUT95	1378.5	707.5	D
OUT46	-3276.5	707.5	D	OUT96	1473.5	707.5	D
OUT47	-3181.5	707.5	D	OUT97	1568.5	707.5	D
OUT48	-3086.5	707.5	D	OUT98	1663.5	707.5	D
OUT49	-2991.5	707.5	D	OUT99	1758.5	707.5	D
OUT50	-2896.5	707.5	D	OUT100	1853.5	707.5	D

Continued on next page.

## LC4102C

Continued from preceding page.

Pin	X coordinate	Y coordinate	Pad type	Pin	X coordinate	Y coordinate	Pad type
OUT101	1948.5	707.5	D	OUT131	4798.5	707.5	D
OUT102	2043.5	707.5	D	OUT132	4893.5	707.5	D
OUT103	2138.5	707.5	D	OUT133	4988.5	707.5	D
OUT104	2233.5	707.5	D	OUT134	5083.5	707.5	D
OUT105	2328.5	707.5	D	OUT135	5178.5	707.5	D
OUT106	2423.5	707.5	D	OUT136	5273.5	707.5	D
OUT107	2518.5	707.5	D	OUT137	5368.5	707.5	D
OUT108	2613.5	707.5	D	OUT138	5463.5	707.5	D
OUT109	2708.5	707.5	D	OUT139	5558.5	707.5	D
OUT110	2803.5	707.5	D	OUT140	5653.5	707.5	D
OUT111	2898.5	707.5	D	OUT141	5748.5	707.5	D
OUT112	2993.5	707.5	D	OUT142	5843.5	707.5	D
OUT113	3088.5	707.5	D	OUT143	5938.5	707.5	D
OUT114	3183.5	707.5	D	OUT144	6033.5	707.5	D
OUT115	3278.5	707.5	D	OUT145	6128.5	707.5	D
OUT116	3373.5	707.5	D	OUT146	6223.5	707.5	D
OUT117	3468.5	707.5	D	OUT147	6318.5	707.5	D
OUT118	3563.5	707.5	D	OUT148	6413.5	707.5	D
OUT119	3658.5	707.5	D	OUT149	6508.5	707.5	D
OUT120	3753.5	707.5	D	OUT150	6603.5	707.5	D
OUT121	3848.5	707.5	D	OUT151	6698.5	707.5	D
OUT122	3943.5	707.5	D	OUT152	6793.5	707.5	D
OUT123	4038.5	707.5	D	OUT153	6888.5	707.5	D
OUT124	4133.5	707.5	D	OUT154	6983.5	707.5	D
OUT125	4228.5	707.5	D	OUT155	7078.5	707.5	D
OUT126	4323.5	707.5	D	OUT156	7173.5	707.5	D
OUT127	4418.5	707.5	D	OUT157	7268.5	707.5	D
OUT128	4513.5	707.5	D	OUT158	7363.5	707.5	D
OUT129	4608.5	707.5	D	OUT159	7458.5	707.5	D
OUT130	4703.5	707.5	D	OUT160	7553.5	707.5	D

- No products described or contained herein are intended for use in surgical implants, life-support systems, aerospace equipment, nuclear power control systems, vehicles, disaster/crime-prevention equipment and the like, the failure of which may directly or indirectly cause injury, death or property loss.
- Anyone purchasing any products described or contained herein for an above-mentioned use shall:
  - ① Accept full responsibility and indemnify and defend SANYO ELECTRIC CO., LTD., its affiliates, subsidiaries and distributors and all their officers and employees, jointly and severally, against any and all claims and litigation and all damages, cost and expenses associated with such use:
  - ② Not impose any responsibility for any fault or negligence which may be cited in any such claim or litigation on SANYO ELECTRIC CO., LTD., its affiliates, subsidiaries and distributors or any of their officers and employees jointly or severally.
- Information (including circuit diagrams and circuit parameters) herein is for example only; it is not guaranteed for volume production. SANYO believes information herein is accurate and reliable, but no guarantees are made or implied regarding its use or any infringements of intellectual property rights or other rights of third parties.

This catalog provides information as of April, 1998. Specifications and information herein are subject to change without notice.