

**LA7832****Color TV Vertical Deflection Output Circuit****Overview**

The LA7832 is a monolithic linear IC for vertical deflection output for small and mid-sized color television sets that requires few external components and dissipates little power. When used in conjunction with the LA7620 series of video chroma deflection ICs, the LA7800 series of deflection ICs, and the LA7850 series of display ICs, it is possible to create a stable and compact vertical output deflection circuit.

Features

- High output.
- Low power dissipation due to built-in pump-up circuit.
- Few external components needed.
- Thermal protection circuit built in.

Specifications**Maximum Ratings at Ta = 25 °C**

Parameter	Symbol	Conditions	Ratings	Unit
Maximum supply voltage	V_6 max	(Pump-up block)	30	V
	V_3 max	(Output block)	62	V
Deflection output current	I_2 max		± 1.5	Ap-o
Allowable power dissipation	P_d max	With arbitrarily large heat sink	8	W
Operating temperature	T_{opr}		-20 to +85	°C
Storage temperature	T_{stg}		-40 to +150	°C
Thermal resistance	θ_{j-c}		4	°C/W

Operating Conditions at Ta = 25 °C

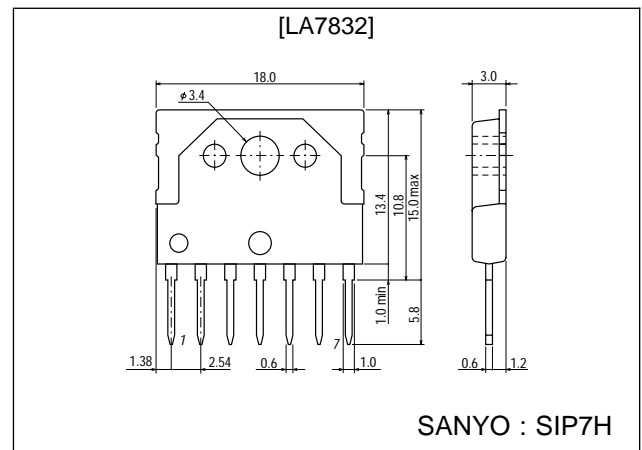
Parameter	Symbol	Conditions	Ratings	Unit
Recommended supply voltage	V_6		24	V
Operating supply voltage range	V_6		10 to 27	V
Deflection output current	I_{2p-p}		to 1.8	Ap-p

■ Any and all SANYO products described or contained herein do not have specifications that can handle applications that require extremely high levels of reliability, such as life-support systems, aircraft's control systems, or other applications whose failure can be reasonably expected to result in serious physical and/or material damage. Consult with your SANYO representative nearest you before using any SANYO products described or contained herein in such applications.

■ SANYO assumes no responsibility for equipment failures that result from using products at values that exceed, even momentarily, rated values (such as maximum ratings, operating condition ranges, or other parameters) listed in products specifications of any and all SANYO products described or contained herein.

Package Dimensions

unit : mm

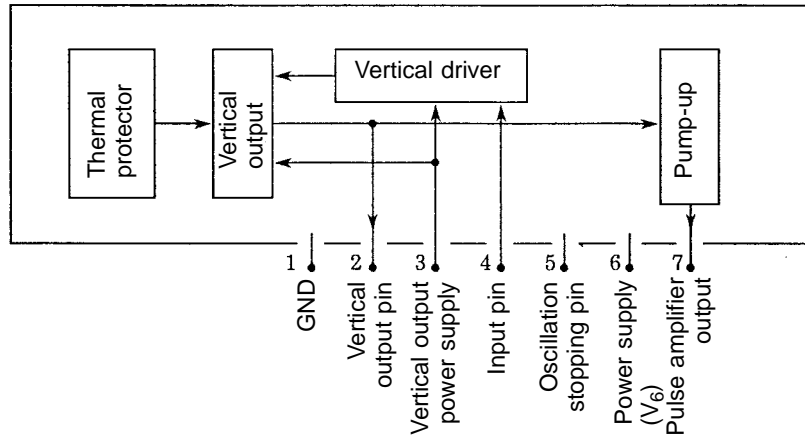
3075-SIP7H

LA7832

Operating Characteristics at Ta = 25 °C, V6 = 24 V

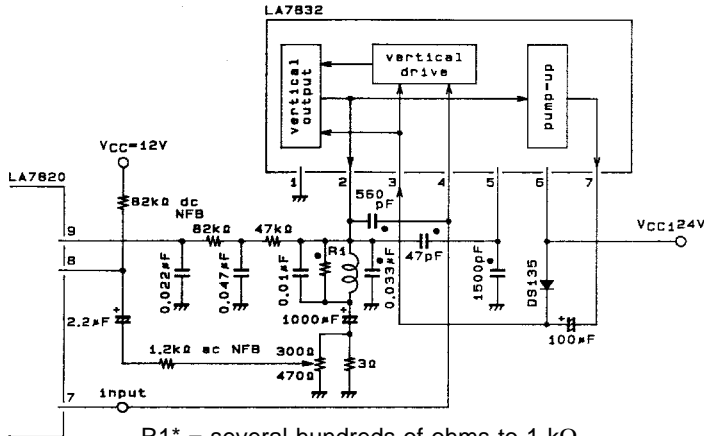
Parameter	Symbol	Conditions	min	typ	max	Unit
Deflection output saturation voltage (lower)	$V_{(sat)2-1}$	$I_2 = +0.9 \text{ A}$			1.2	V
Deflection output saturation voltage (upper)	$V_{(sat)3-2}$	$I_2 = -0.9 \text{ A}$			3.2	V
Pump-up charge saturation voltage	$V_{(sat)7-1}$	$I_7 = +20 \text{ mA}$			1.8	V
Pump-up discharge saturation voltage	$V_{(sat)6-7}$	$I_7 = -0.9 \text{ A}$			3.0	V
Idling current	I_{DL}		30		60	mA
Midpoint voltage	V_{MID}		9.5	10.5	11.5	V

Pin Assignment and Functional Block Diagram



Sample Application Circuit

LA7820 vertical output

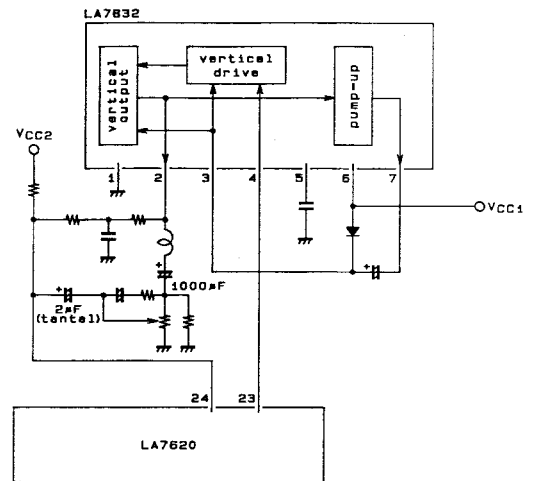


R1* = several hundreds of ohms to 1 kΩ
 *: CR used against oscillation
 The combination depends on the oscillation mode.

A040B4

Sample Application Circuit

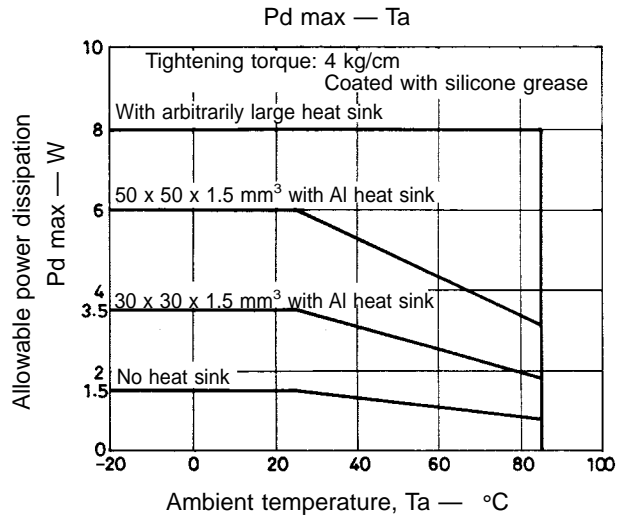
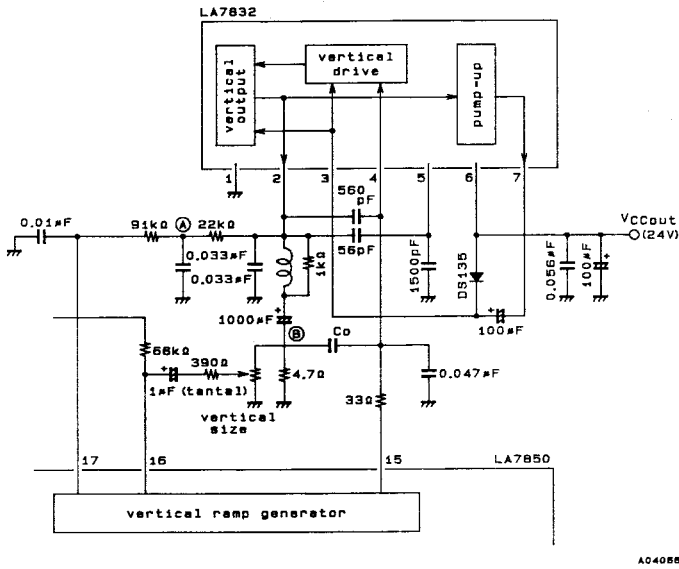
LA7620 vertical output



A040B5

Sample Application Circuit

LA7850 vertical output



- Specifications of any and all SANYO products described or contained herein stipulate the performance, characteristics, and functions of the described products in the independent state, and are not guarantees of the performance, characteristics, and functions of the described products as mounted in the customer's products or equipment. To verify symptoms and states that cannot be evaluated in an independent device, the customer should always evaluate and test devices mounted in the customer's products or equipment.
- SANYO Electric Co., Ltd. strives to supply high-quality high-reliability products. However, any and all semiconductor products fail with some probability. It is possible that these probabilistic failures could give rise to accidents or events that could endanger human lives, that could give rise to smoke or fire, or that could cause damage to other property. When designing equipment, adopt safety measures so that these kinds of accidents or events cannot occur. Such measures include but are not limited to protective circuits and error prevention circuits for safe design, redundant design, and structural design.
- In the event that any or all SANYO products (including technical data, services) described or contained herein are controlled under any of applicable local export control laws and regulations, such products must not be exported without obtaining the export license from the authorities concerned in accordance with the above law.
- No part of this publication may be reproduced or transmitted in any form or by any means, electronic or mechanical, including photocopying and recording, or any information storage or retrieval system, or otherwise, without the prior written permission of SANYO Electric Co., Ltd.
- Any and all information described or contained herein are subject to change without notice due to product/technology improvement, etc. When designing equipment, refer to the "Delivery Specification" for the SANYO product that you intend to use.
- Information (including circuit diagrams and circuit parameters) herein is for example only; it is not guaranteed for volume production. SANYO believes information herein is accurate and reliable, but no guarantees are made or implied regarding its use or any infringements of intellectual property rights or other rights of third parties.

This catalog provides information as of May, 1995. Specifications and information herein are subject to change without notice.