



LA7051

Video, Audio Signal Processor for UHF Band RF Modulator

Overview

The LA7051 is a video, audio signal processor IC for UHF band RF modulator. It performs the functions of audio FM modulator, video clamp circuit, white clip circuit.

Applications

- VCRs.

Features

- 5.5MHz/6.0MHz audio modulation frequency selectable with control pin.
- Contains white clip circuit.
- Minimum number of external parts required.

Specifications

Maximum Ratings at Ta=25°C

| Parameter | Symbol | Conditions | Ratings | Unit |
|-----------------------------|---------------------|------------|-------------|------|
| Maximum supply voltage | V _{CC} max | V8 | 12 | V |
| Allowable power dissipation | Pd max | Ta≤60°C | 250 | mW |
| Operating temperature | T _{opr} | | -20 to +85 | °C |
| Storage temperature | T _{stg} | | -55 to +125 | °C |

Operating Conditions

 at Ta=25°C

| Parameter | Symbol | Conditions | Ratings | Unit |
|----------------------------|--------------------|------------|------------|------|
| Recommended supply voltage | V _{CC} | V8 | 7.5 | V |
| Operating voltage range | V _{CC} op | | 7.0 to 8.0 | V |

Operating Characteristics

 at Ta=25°C, V_{CC} (V8)=7.5V

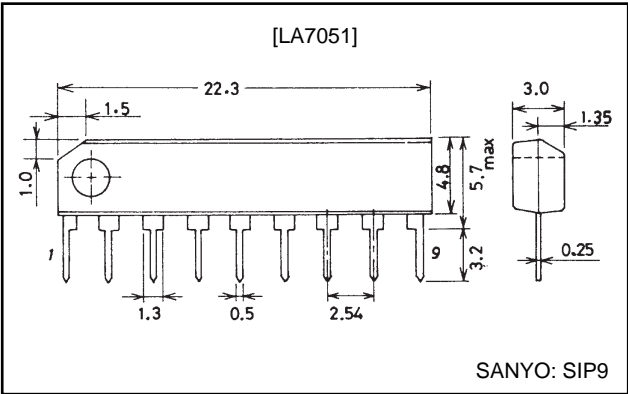
| Parameter | Symbol | Conditions | Ratings | | | Unit |
|--|--------------------|--|---------|------|-------|-------|
| | | | min | typ | max | |
| V _{CC} 8 current drain | I _{CC} 8 | | 9.5 | 14.5 | 19.5 | mA |
| Video clamp voltage | V _{VC} | | 3.6 | 3.8 | 4.0 | V |
| Audio FM sensitivity | Δf _{fm} 6 | f _m : 1kHz, 4.5Vp-p input, f _C : 5.5MHz | 900 | 1250 | 1600 | Hz/mV |
| | Δf _{fm} 7 | f _m : 1kHz, 4.5Vp-p input, f _C : 5.5MHz, R* : 15kΩ | 900 | 1250 | 1600 | Hz/mV |
| Audio distortion | THD6 | At deviation width ±50kHz | | 1.6 | 2.5 | % |
| | THD7 | f _m : 1kHz, f _C : 5.5MHz | | 1.6 | 2.5 | % |
| Video clamp output amplitude deviation | | At 1Vp-p stair step signal input | -5 | | +5 | % |
| Audio output amplitude | V _O 6 | f _C : 5.5MHz | 0.79 | 1.0 | 1.26 | Vp-p |
| | V _O 7 | | 0.79 | 1.0 | 1.26 | Vp-p |
| White clip level | V _{WC} | At 1.5Vp-p stair step signal input | 1.100 | | 1.189 | Vp-p |

*Note : Resistance value of 50kΩ variable resistor in Test Circuit.

Package Dimensions

unit: mm

3017C-SIP9

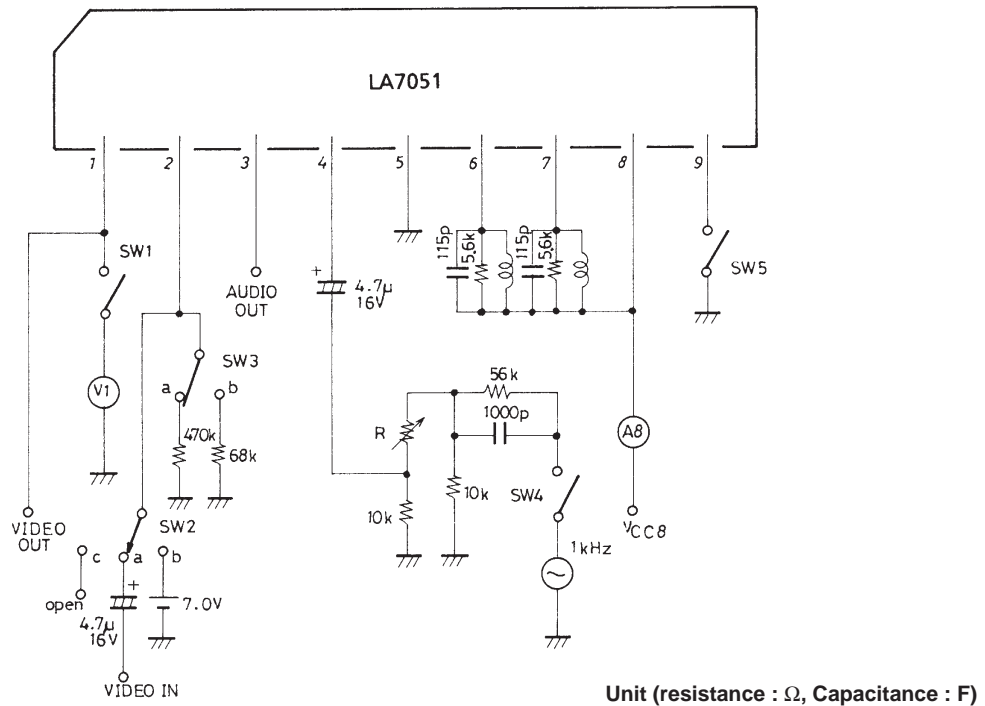


LA7051

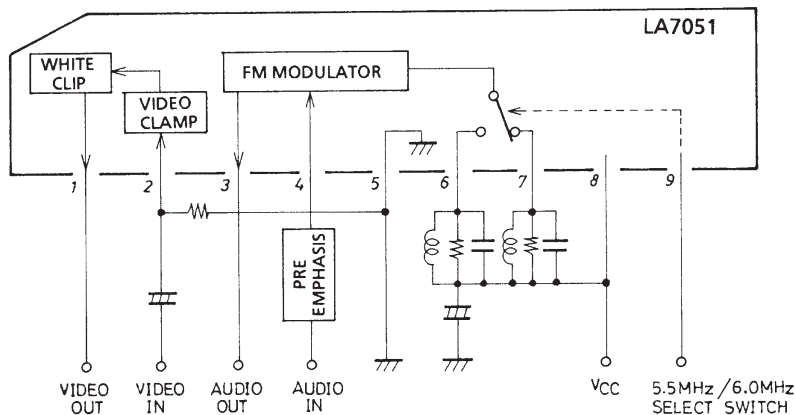
LA7051 Test Condition

| Parameter | Symbol | SW Mode | | | | | Test point | Remarks |
|--|-------------------|---------|-----|-----|-----|-----|------------|---|
| | | SW1 | SW2 | SW3 | SW4 | SW5 | | |
| V _{CC8} current drain | I _{CC8} | OFF | c | a | OFF | ON | Pin 8 | |
| Video clamp voltage | V _{VC} | ON | c | a | OFF | OFF | Pin 1 | |
| Audio FM sensitivity | Δf _{fm6} | OFF | c | a | ON | ON | Pin 3 | |
| | Δf _{fm7} | OFF | c | a | ON | OFF | Pin 3 | |
| Audio distortion | THD6 | OFF | c | a | ON | ON | pin 3 | |
| | THD7 | OFF | c | a | ON | OFF | pin 3 | |
| Video clamp output amplitude deviation | | OFF | a | a | OFF | OFF | Pin 1 | |
| Audio output amplitude | V _{O6} | OFF | c | a | OFF | ON | Pin 3 | |
| | V _{O7} | OFF | c | a | OFF | OFF | pin 3 | |
| White clip level | V _{WC1} | ON | b | a | OFF | OFF | Pin 1 | V _{WC} =V _{WC1} -V _{WC2} |
| | V _{WC2} | ON | c | b | OFF | OFF | Pin 1 | |

Test Circuit



Equivalent Circuit Block Diagram



- No products described or contained herein are intended for use in surgical implants, life-support systems, aerospace equipment, nuclear power control systems, vehicles, disaster/crime-prevention equipment and the like, the failure of which may directly or indirectly cause injury, death or property loss.
- Anyone purchasing any products described or contained herein for an above-mentioned use shall:
 - ① Accept full responsibility and indemnify and defend SANYO ELECTRIC CO., LTD., its affiliates, subsidiaries and distributors and all their officers and employees, jointly and severally, against any and all claims and litigation and all damages, cost and expenses associated with such use:
 - ② Not impose any responsibility for any fault or negligence which may be cited in any such claim or litigation on SANYO ELECTRIC CO., LTD., its affiliates, subsidiaries and distributors or any of their officers and employees jointly or severally.
- Information (including circuit diagrams and circuit parameters) herein is for example only; it is not guaranteed for volume production. SANYO believes information herein is accurate and reliable, but no guarantees are made or implied regarding its use or any infringements of intellectual property rights or other rights of third parties.

This catalog provides information as of July, 1997. Specifications and information herein are subject to change without notice.