

# Two-color, high-luminance numeric displays

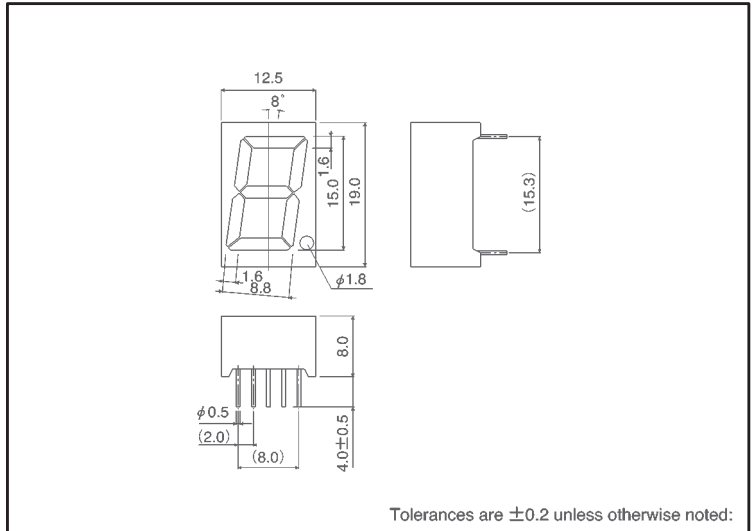
## LA-621 AK Series

The LA-621 AK series are two-color, high-luminance numeric displays designed to be used in bright locations. Red, green and orange displays are possible.

### ●Features

- 1) Height of display : 15 mm.
- 2) Dimensions : 12.5 × 19 × 8 mm.
- 3) Common anode and common cathode configurations are available.
- 4) The package surface is coated black and the segments are milky white.
- 5) High luminance, clear display.
- 6) Red, green and orange displays are possible.

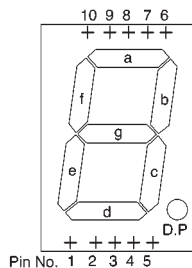
### ●External dimensions (Units: mm)



### ●Selection guide

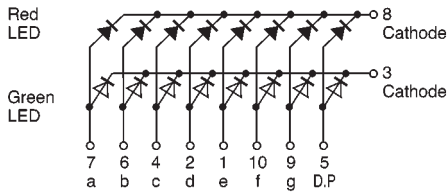
Emitting color	Red / Green
Common	LA-621LMA
Anode	LA-621LMK
Cathode	

### ●Pin assignments

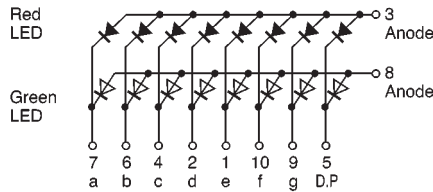


Pin No.	Function
1	Segment "e"
2	Segment "d"
3	Red Common
4	Segment "c"
5	Segment "D,P"
6	Segment "b"
7	Segment "a"
8	Green Common
9	Segment "g"
10	Segment "f"

## ● Internal circuit schematic (example of common cathode)



## (example of common anode)



## ● Absolute maximum ratings (Ta = 25°C)

Parameter	Symbol	Red	Green	Unit
		LA-621LMA / LMK	LA-621LMA / LMK	
Power dissipation	P <sub>D</sub>	1000	480	mW
Power dissipation	P <sub>D</sub> / seg	125	60	mW
Forward current	I <sub>F</sub>	50	20	mA
Peak forward current	I <sub>FP</sub>	80*	60*	mA
Reverse voltage	V <sub>R</sub>	3	3	V
Operating temperature	T <sub>opr</sub>	-25~+75		°C
Storage temperature	T <sub>stg</sub>	-30~+85		°C

\* Pulse width 1ms duty 1 / 10

## ● Electrical and optical characteristics (Ta = 25°C)

Parameter	Symbol	Conditions	Red			Green			Unit
			Min.	Typ.	Max.	Min.	Typ.	Max.	
Forward voltage	V <sub>F</sub>	I <sub>F</sub> =20mA	—	1.75	2.5	—	2.1	2.8	V
Reverse current	I <sub>R</sub>	V <sub>R</sub> =3V	—	—	10	—	—	10	μA
Peak wavelength	λ <sub>P</sub>	I <sub>F</sub> =20mA	—	660	—	—	563	—	nm
Spectral line half width	Δλ	I <sub>F</sub> =20mA	—	25	—	—	40	—	nm

©Not designed for radiation resistance.

## ● Luminous intensity

Color	λ <sub>P</sub>	Type	Min.	Typ.	Max.	Unit
Red	660	LA-621LMA	14	50	—	mcd
		LA-621LMK				
Green	563	LA-621LMA	9.0	25	—	mcd
		LA-621LMK				

Note: Measured at I<sub>F</sub> = 20mA