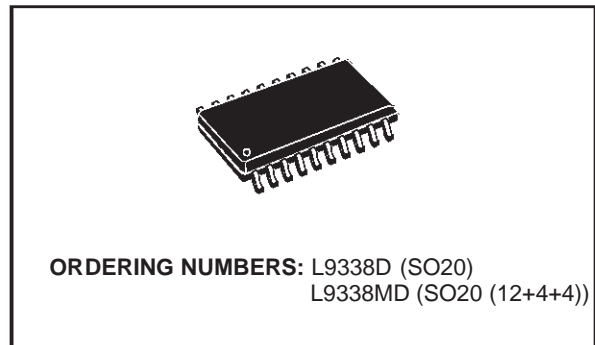


## QUAD LOW SIDE DRIVER

- WIDE OPERATING SUPPLY VOLTAGE RANGE FROM 4.5V UP TO 45V.
- REVERSE BIASING PROTECTED ( $V_S = -24V$ )
- VERY LOW STANDBY QUIESCENT CURRENT  $< 2\mu A$
- PROGRAMMABLE SIGNAL TRANSFER POLARITY
- TTL AND CMOS COMPATIBLE INPUTS
- DEFINED OUTPUT OFF STATE OFF FOR OPEN INPUTS
- FOUR OPEN DRAIN DMOS OUTPUTS, WITH  $R_{DSon} = 1.5 \Omega$  at  $25^\circ C$  and  $V_S > 6V$
- OUTPUT CURRENT LIMITATION
- CONTROLLED OUTPUT SLOPE FOR LOW EMI
- OVERTEMPERATURE SHUT-DOWN SELECTIVE FOR EACH CHANNEL
- INTEGRATED OUTPUT CLAMPING FOR FAST INDUCTIVE RECIRCULATION  $V_{FB} > 45V$
- STATUS MONITORING FOR
  - OVERTEMPERATURE

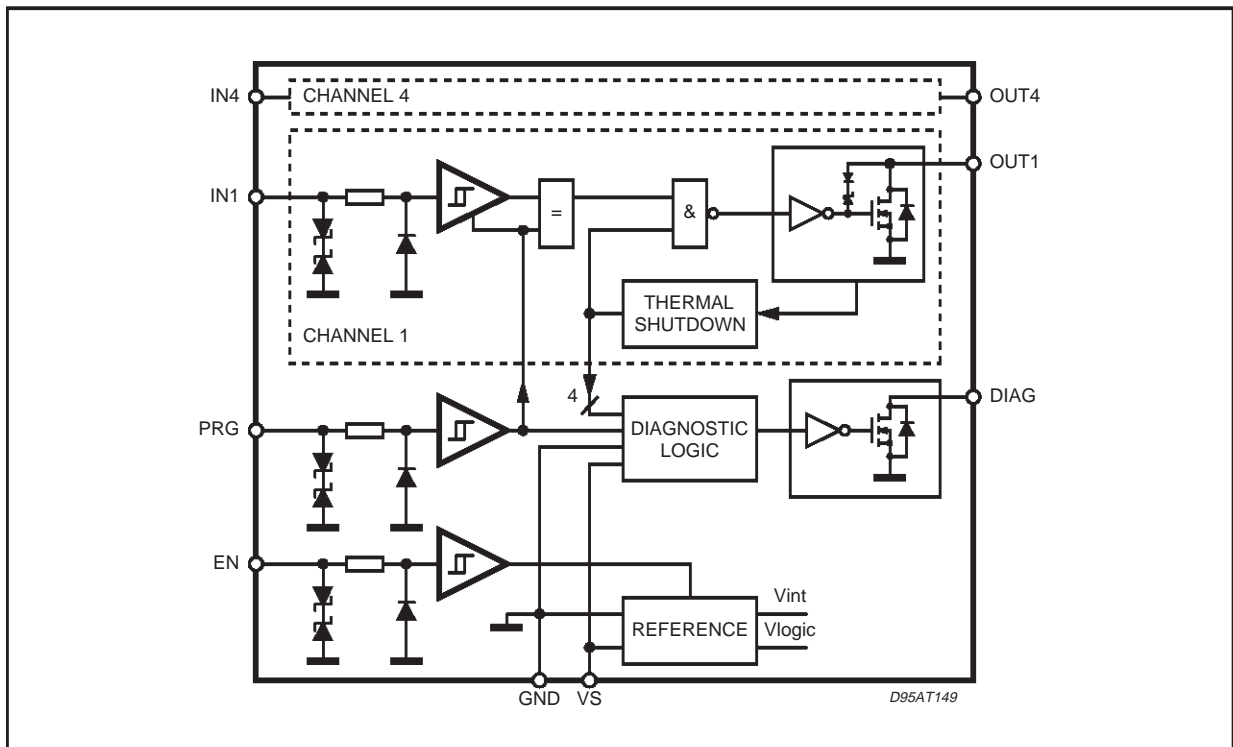


- DISCONNECTED GROUND OR SUPPLY VOLTAGE
- EDS: ALL PINS ARE GUARANTEED TILL 600V

### DESCRIPTION

The L9338 is a monolithic integrated quad low side driver realized in advanced Multipower-BCD technology. It is intended to drive lines, lamps or relays in automotive or industrial applications.

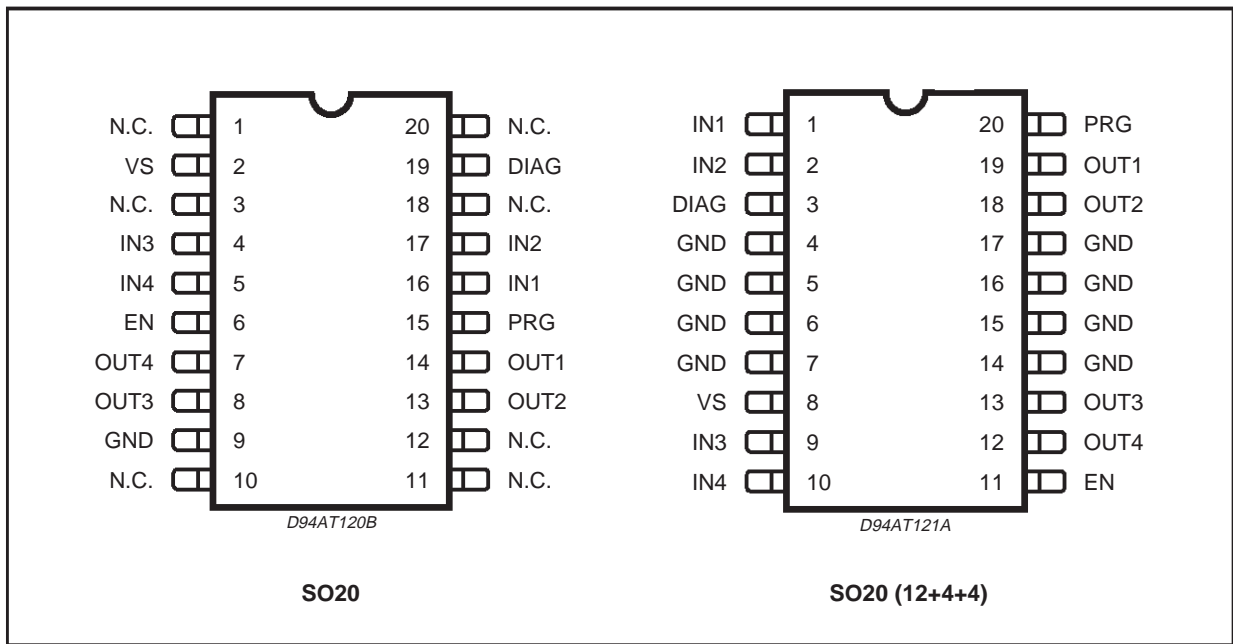
### BLOCK DIAGRAM



**ABSOLUTE MAXIMUM RATINGS** (no damage or latch)

Symbol	Parameter	Value	Unit
V <sub>S</sub>	Supply voltage	-24 to 45	V
<b>Pin voltages</b>			
V <sub>IN</sub>	Input, enable, program	-24 to 10	V
V <sub>OUT</sub>	Output	-0.3 to 45	V
V <sub>DIAG</sub>	Diagnostic output	-0.3 to 45	V

**PIN CONNECTIONS** (Top view)



**PIN DESCRIPTION**

SO20 N <sub>o</sub>	SO 12+4+4 N <sub>o</sub>	Pin Name	Function
2	8	VS	SUPPLY VOLTAGE
9	4,5,6,7,14, 15,16,17	GND	GROUND
6	11	EN	ENABLE
15	20	PRG	PROGRAM
19	3	DIAG	DIAGNOSTIC
16	1	IN1	INPUT 1
17	2	IN2	INPUT 2
4	9	IN3	INPUT 3
5	10	IN4	INPUT 4
14	19	OUT 1	OUTPUT 1
13	18	OUT 2	OUTPUT 2
8	13	OUT 3	OUTPUT 3
7	12	OUT 4	OUTPUT 4
3, 18, 1, 10, 11, 12, 20	-	NC	NOT CONNECTED

## THERMAL DATA

Symbol	Parameter	SO20 (2)	SO(12+4+4) (1)	Unit
$R_{th(j-pins)}$	Thermal resistance junction to pin	–	14 (Typ.)	°C/W
$R_{th(j-amb)}$	Thermal resistance junction to ambient mounted on SMPCB2 board	77 to 97	–	°C/W
$T_{jMon}$	Temperature-monitoring Switch-off-level Switch-on-level		160 to 190 140 to 170	°C °C

(1) See SGS-THOMSON Microelectronics databook: "Thermal Management in Surface Mount Technology"

(2) See SGS-THOMSON Microelectronics databook: "Thermal characteristics of SO20"

**OPERATING CONDITIONS** (The electrical characteristics are valid within the below defined operating ranges, unless otherwise specified. The function will be guaranteed by design until  $T_{jMON}$  switch-OFF-level.

Symbol	Parameter	Value	Unit
$V_S$	Supply Voltage	4.5 to 32	V
$V_{IN}$	Input pin voltage	-24 to 10	V
$V_{EN}$	Enable pin voltage	-24 to 25	V
$V_{OUT}, V_D$	Output pin voltage	-0.3 to 45	V
$T_j$	Junction temperature	-40 to 150	°C

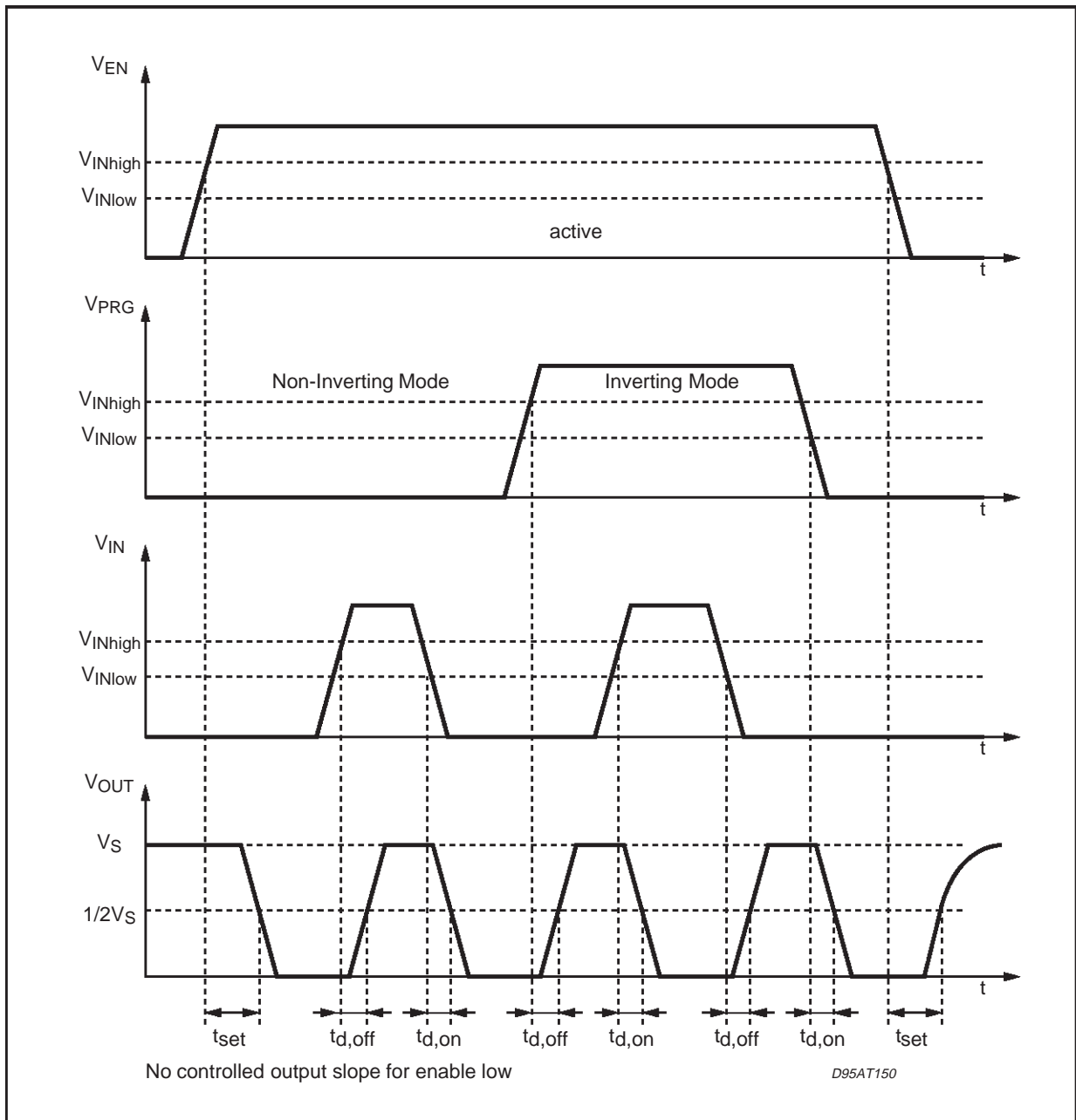
## ELECTRICAL CHARACTERISTICS (Refer to the test circuit, unless otherwise specified.)

Symbol	Parameter	Test Condition	Min.	Typ.	Max.	Unit
$I_Q$	Quiescent current	$-0.3V \leq V_{EN} \leq 0.5V$ ; $V_S = 14V$ ; $T_j = 85^\circ C$		<2	10	$\mu A$
		EN = high; $V_S \leq 14V$		1.5	2	mA
<b>Inputs IN1 - IN4, PRG</b>						
$V_{INlow}$	Input voltage LOW		-24		2.0	V
$V_{INhigh}$	Input voltage HIGH		2.8		10	V
$I_{IN}$	Input current	$-24V \leq V_i \leq 10V$	-10	<2	15	$\mu A$
<b>Enable Input EN</b>						
$V_{ENlow}$	Input voltage LOW		-24		1	V
$V_{ENhigh}$	Input voltage HIGH		3.2		VS	V
$R_{EN}$	Input impedance	$-24V < V_i < 2.5V$	10			K $\Omega$
$I_{EN}$	Input current	$2.5V \leq V_i \leq 25V$		20	50	$\mu A$
<b>Outputs OUT1-OUT4</b>						
$R_{DSon}$	Output ON-resistor to ground	$V_S \geq 6V$ , $I_O = 0.3A$ $T_j = 25^\circ C$ $T_j = 125^\circ C$		1.7	2.3 3.5	$\Omega$ $\Omega$
$I_{OLeak}$	Leakage current	$V_O = V_S = 14V$ ; $T_j = 85^\circ C$		$\leq 1$	5	$\mu A$
$V_{OClamp}$	Output voltage during clamping	time < 200 $\mu s$ ; $10mA \leq I_O \leq 0.3A$	45	52	60	V
$I_{OSC}$	Short-circuit current		400	700	1200	mA
$C_O$	Internal output capacities	$V_O \geq 4.5V$			100	pF
<b>Diagnostic output DIAG</b>						
$V_{Dlow}$	Output voltage LOW	$I_{DL} \leq 1mA$		0.3	0.5	V
$I_{Dmax}$	Max. Output current	Internal current limitation	1	5	15	mA
$I_{Dleak}$	Leakage current	$V_S = 14V$ ; $T_j = 85^\circ C$		$\leq 0.1$	1	$\mu A$

ELECTRICAL CHARACTERISTICS (Continued)

Symbol	Parameter	Test conditions	Min.	Typ.	Max.	Unit
<b>Timing</b> (see Fig. 1)						
$t_{d,on}$	On delay time	$V_S = 14V, C_{ext} = 0pF$ $10mA \leq I_o \leq 200mA$		2.5	3.5	$\mu s$
$t_{d,off}$	Off delay time			3	4.5	$\mu s$
$t_{set}$	Enable settling time				10	$\mu s$
$t_{d,DIAG}$	On or Off diagnostic delay time				10	$\mu s$
$S_{out}$	Output slopes		2.5	9	16	$V/\mu s$

Figure 1



## CIRCUIT DESCRIPTION

The L9838 is a quad low side driver for lines, lamps or inductive loads in automotive and industrial applications.

All Inputs are TTL or CMOS compatible. This allows the device to be driven directly by a microcontroller. For the noise immunity, all inputs have a Schmitt-trigger with a hysteresis of typ. 100mV. Each input stage has an input voltage protection from -24V to 10V. The device can be activated with a 'high' signal on ENable input. ENable 'low' switches the device into the sleep mode. In this mode the quiescent current is less than 10 $\mu$ A. A high signal on PRoGramming input changes the signal transfer polarity from noninverting into the inverting mode. Normally this pin is connected to V<sub>s</sub> or GND. These pins (PRG and EN) are internally fixed at low status by open input condition. Independent of the PRoGramming input, the OUTput switches off, if the signal INput pin is not connected.

Each output driver has a current limitation of min 0.4A and a separate thermal shut-down. The thermal shut-down deactivates that output which ex-

ceeds Temperature switch off level. About 20K below this temperature threshold the output will be activated again. This means, that each output is able to sink continuously 285mA without activating thermal shut-down at 85°C ambient temperature (SO20). The slew rate of the output is limited to max. 14V/ $\mu$ s to reduce the electromagnetic interference, but not for the enable transfer characteristic (see fig. 1). An integrated active flyback voltage limitation clamps the output voltage during the flyback phase of inductive loads to typ. 50V. The power DMOS switches ON, if the device is enabled and the OUTput swings below ground. This protection avoids the activation of parasitics inside the power DMOS.

The DIAGnostic is an open drain output. The logic status depends on the PRoGramming pin. If the PRG pin is 'low' the DIAG output becomes low, if the device works correctly.

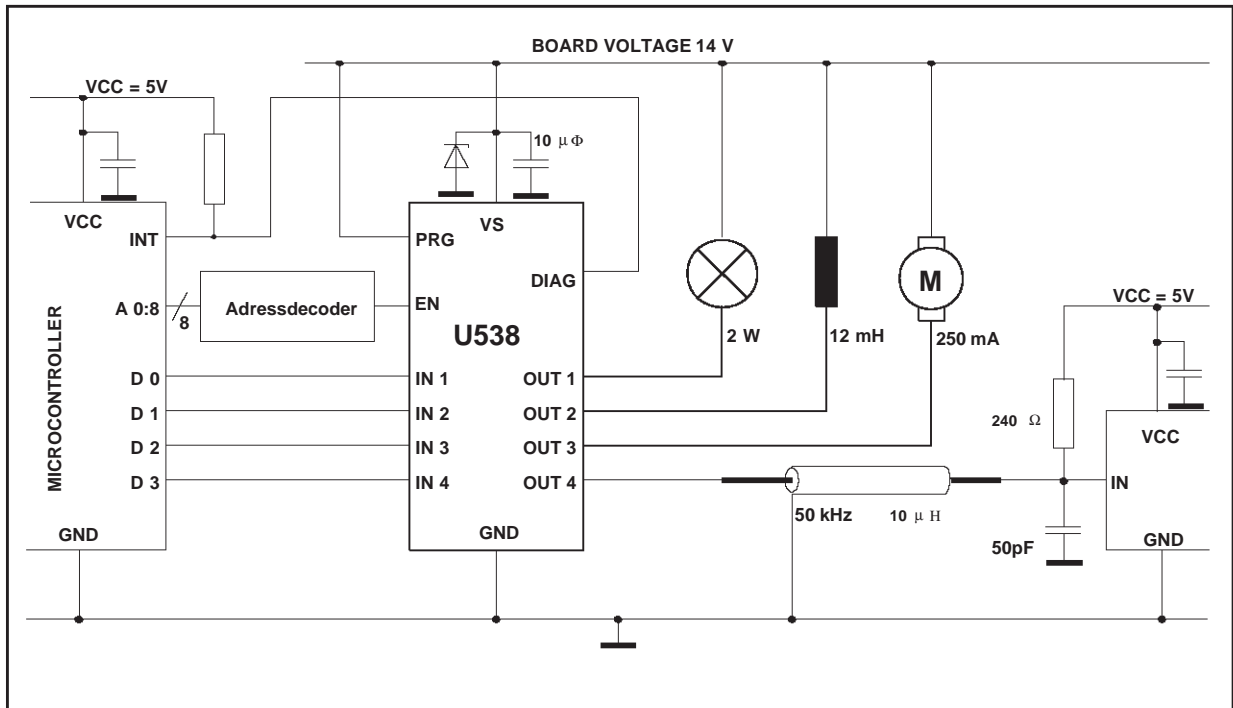
At thermal shut-down of one channel, disconnected ground or supply voltage the DIAGnostic output becomes high. If the PRG pin is 'high' this output is switched off at normal function and switched on at overtemperature.

## DIAGNOSTIC TABLE

Pins	EN	PRG	IN	OUT	DIAG
Normal function	H	L	L	L (on)	L (on)
	H	L	H	H (off)	L (on)
	H	H	L	H (off)	H(off)
	H	H	H	L (on)	H(off)
	L	X	X	H (off)	H(off)
Overtemperature, disconnected ground or supply voltage	H	L	X	H (off) *	H (off)
Overtemperature	H	H	X	H (off) *	L (on)

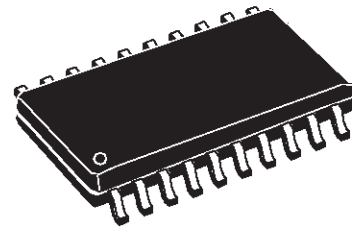
X = not relevant \* selective for each channel at overtemperature

Figure 2: Application circuit for inverting transfer polarity.

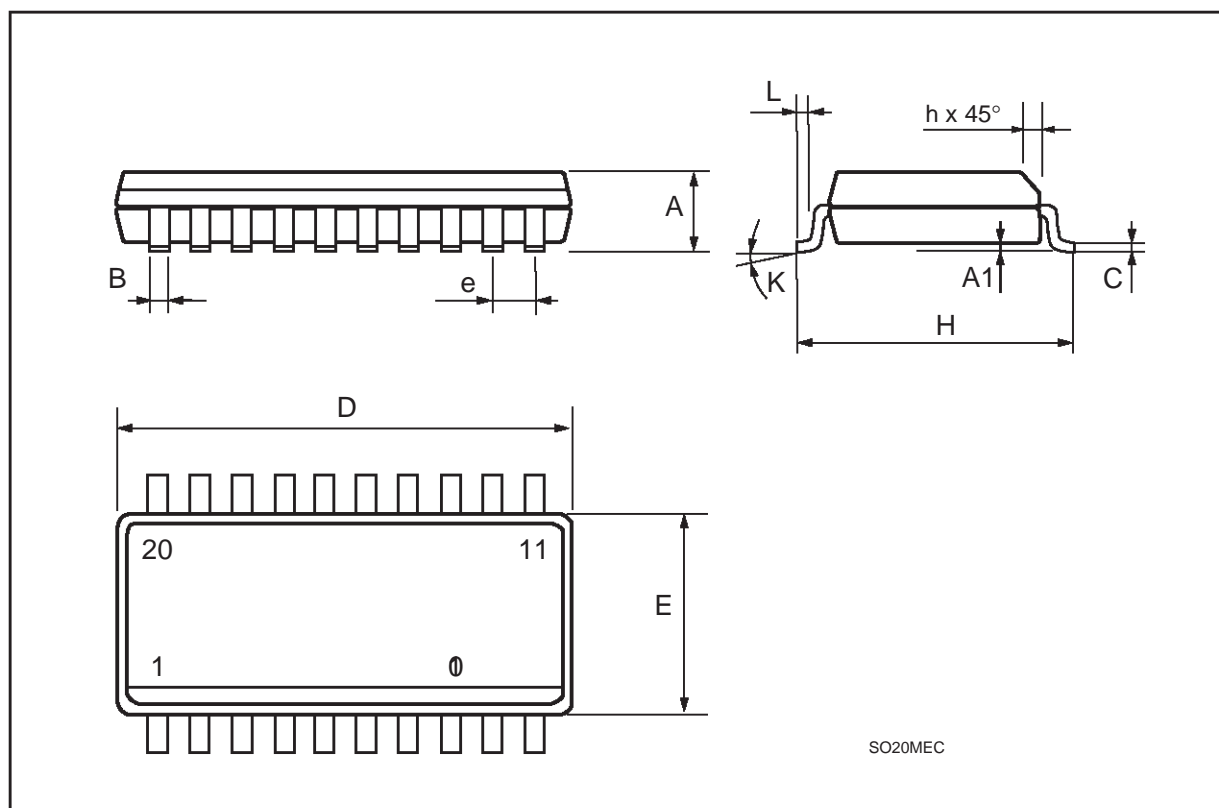


DIM.	mm			inch		
	MIN.	TYP.	MAX.	MIN.	TYP.	MAX.
A	2.35		2.65	0.093		0.104
A1	0.1		0.3	0.004		0.012
B	0.33		0.51	0.013		0.020
C	0.23		0.32	0.009		0.013
D	12.6		13	0.496		0.512
E	7.4		7.6	0.291		0.299
e		1.27			0.050	
H	10		10.65	0.394		0.419
h	0.25		0.75	0.010		0.030
L	0.4		1.27	0.016		0.050
K	0° (min.)8° (max.)					

## OUTLINE AND MECHANICAL DATA



### SO20



Information furnished is believed to be accurate and reliable. However, STMicroelectronics assumes no responsibility for the consequences of use of such information nor for any infringement of patents or other rights of third parties which may result from its use. No license is granted by implication or otherwise under any patent or patent rights of STMicroelectronics. Specification mentioned in this publication are subject to change without notice. This publication supersedes and replaces all information previously supplied. STMicroelectronics products are not authorized for use as critical components in life support devices or systems without express written approval of STMicroelectronics.

The ST logo is a registered trademark of STMicroelectronics

© 1998 STMicroelectronics – Printed in Italy – All Rights Reserved

STMicroelectronics GROUP OF COMPANIES

Australia - Brazil - Canada - China - France - Germany - Italy - Japan - Korea - Malaysia - Malta - Mexico - Morocco - The Netherlands - Singapore - Spain - Sweden - Switzerland - Taiwan - Thailand - United Kingdom - U.S.A.

<http://www.st.com>