

Compact medium speed thick film thermal printhead (8 dots / mm)

KF2002-GD10A

The KF2002-GD10A is a standard 24 V thick-film thermal printhead with a printing speed of 4 inches / second, developed mainly for label printers. The GD series is of the glazed component type and therefore excellent for thermal transfer printing.

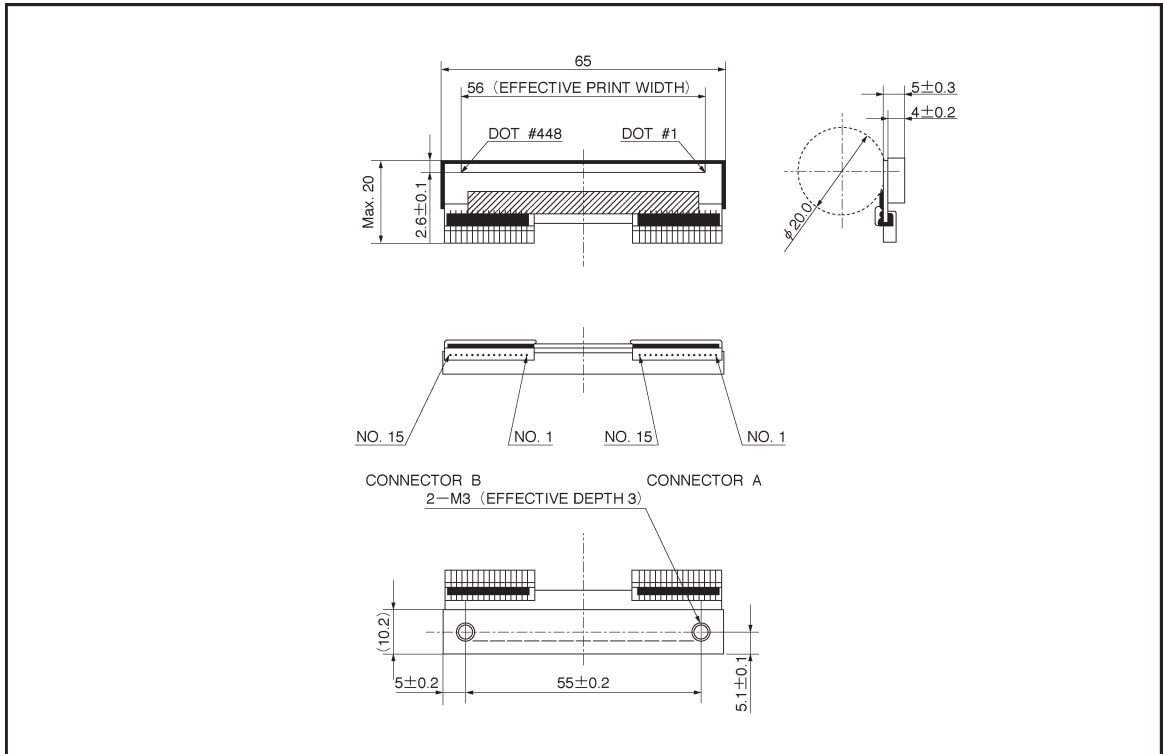
●Applications

- Label printers
- Ticket printers
- Terminal printers

●Features

- 1) A new pin connector structure greatly reduces the size and weight.
- 2) A newly developed driving IC improves data transmission speed (8 MHz) and ON resistance (half of the conventional product) to support various control methods.
- 3) One rank resistance value of $800 \Omega \pm 3\%$ eliminates the inconvenience of rank selection.
- 4) 2-inch, 3-inch and 4-inch series are available.

●External dimensions (Units: mm)



●Equivalent circuit

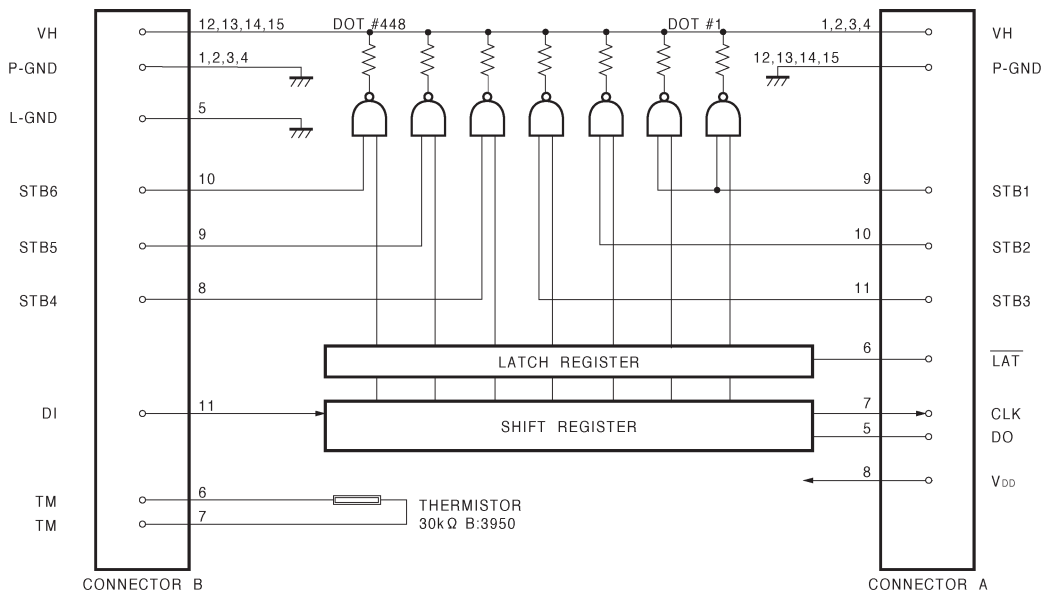


Fig. 1

●Pin assignments

CONNECTOR B	
No.	Circuit
1	P-GND
2	P-GND
3	P-GND
4	P-GND
5	L-GND
6	TM
7	TM
8	STB4
9	STB5
10	STB6
11	DI
12	VH
13	VH
14	VH
15	VH

CONNECTOR A	
No.	Circuit
1	VH
2	VH
3	VH
4	VH
5	DO
6	LAT
7	CLK
8	VDD
9	STB1
10	STB2
11	STB3
12	P-GND
13	P-GND
14	P-GND
15	P-GND

L-GND: LOGIG GROUND
P-GND: POWER GROUND

●Timing chart

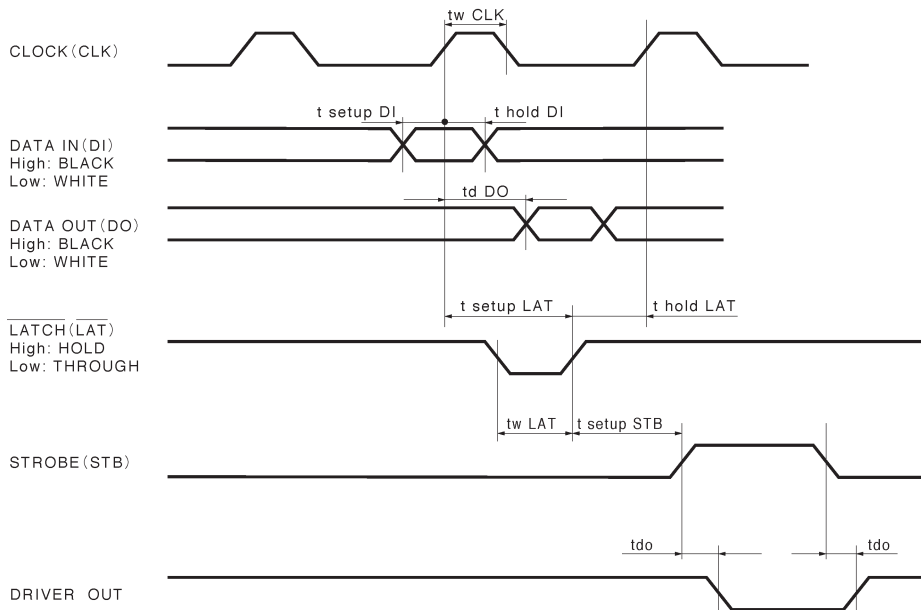


Fig.2

●Characteristics

Parameter	Symbol	Typical	Unit
Effective printing width	—	56.0	mm
Dot pitch	—	0.125	mm
Total dot number	—	448	dots
Average resistance value	R _{ave}	800	Ω
Applied voltage	V _H	24	V
Applied power	P _O	0.64	W / dot
Print cycle	SLT	1.25	ms
Pulse width	T _{ON}	0.27	ms
Maximum number of dots energized simultaneously	—	448	dots
Maximum clock frequency	—	8	MHz
Maximum roller diameter	—	φ 20.0	mm
Running life / pulse life	—	50 / 5 × 10 ⁷	km / pulses
Operating temperature	—	5~45	°C

● Electrical characteristic curves

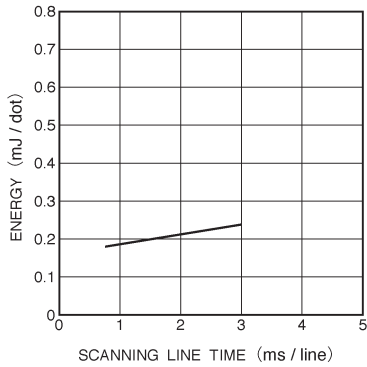


Fig. 3 Adaptive speed chart

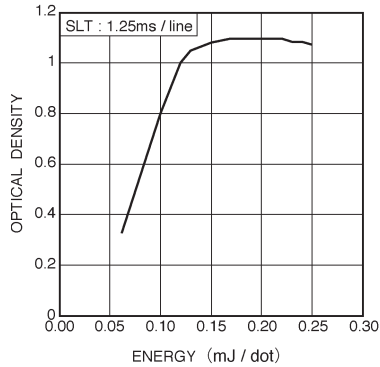


Fig. 4 Representative density curve

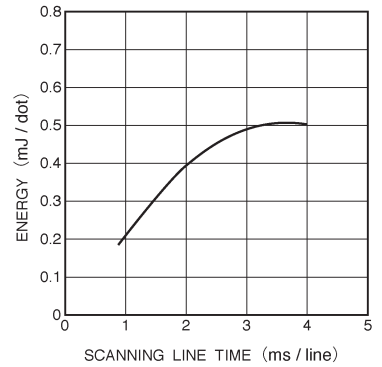


Fig. 5 Maximum energy curve

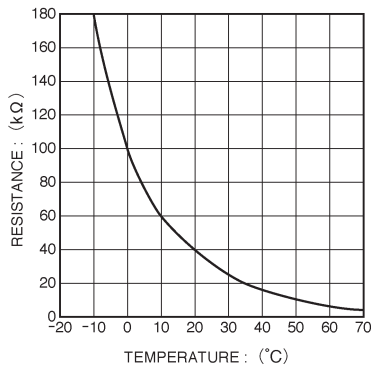


Fig. 6 Thermistor curve