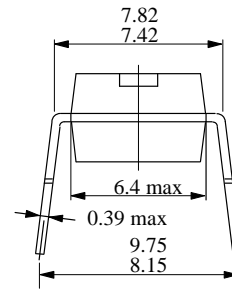
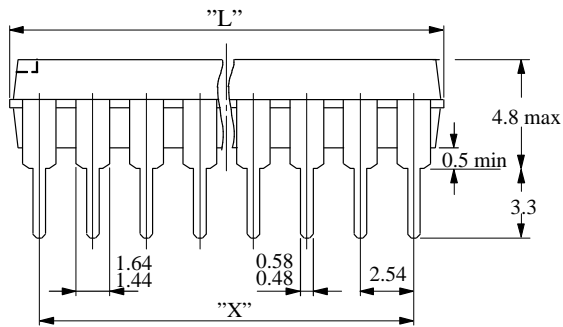
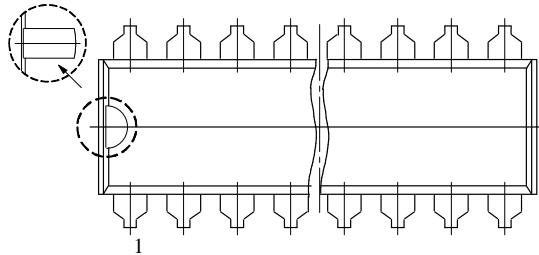


Package DIP8-20

Dimensions in mm



Alternative



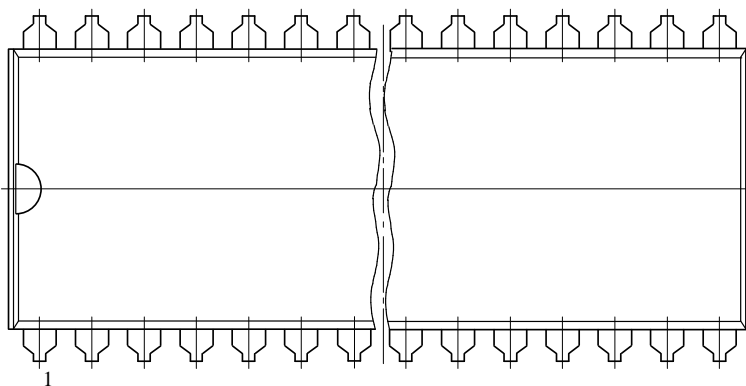
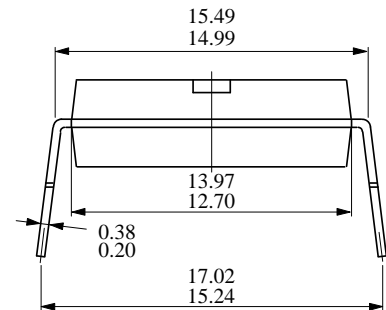
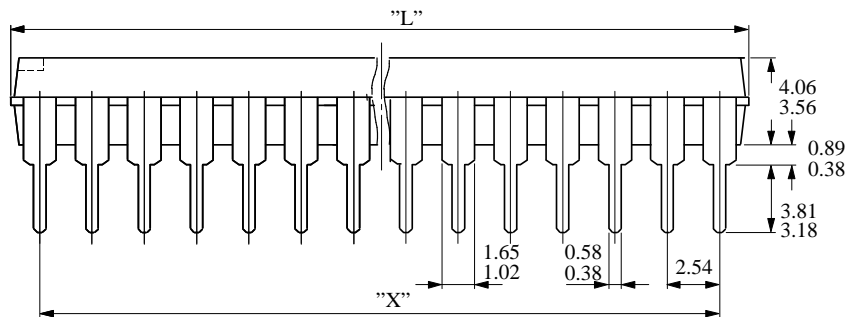
technical drawings according to DIN specifications

Package	"L"		"X"
	min	max	
DIP8	9.5	9.8	7.62
DIP14		20.0	15.24
DIP16		20.0	17.78
DIP18		23.3	20.32
DIP20	25.4	26.42	22.86

13026

Package DIP24-40

Dimensions in mm



technical drawings according to DIN specifications

Package	"L"		"X"
	min	max	
DIP24	31.24	32.26	27.94
DIP28	36.58	37.34	33.02
DIP40	51.82	52.58	48.26

13025