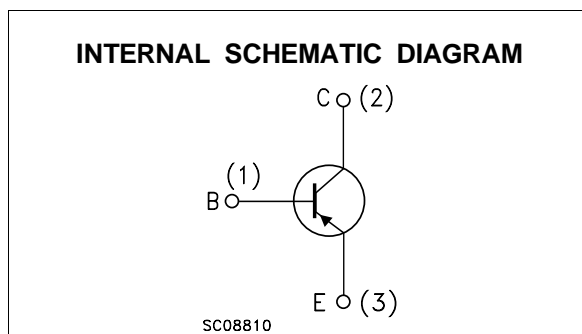
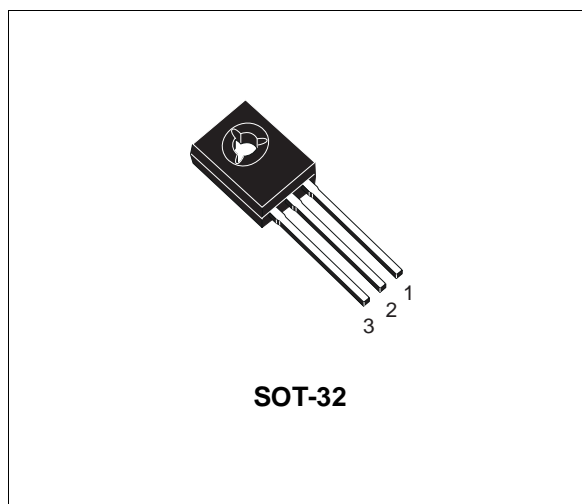


SILICON PNP TRANSISTOR

- SGS-THOMSON PREFERRED SALESTYPE
- PNP TRANSISTOR

DESCRIPTION

The BD234 is a silicon epitaxial-base PNP power transistor in Jedec SOT-32 plastic package intended for use in medium power linear and switching applications.



ABSOLUTE MAXIMUM RATINGS

| Symbol | Parameter | Value | Unit |
|-----------|---|------------|------------|
| V_{CBO} | Collector-Base Voltage ($I_E = 0$) | -45 | V |
| V_{CER} | Collector-Emitter Voltage ($R_{BE} = 1K\Omega$) | -45 | V |
| V_{CEO} | Collector-Emitter Voltage ($I_B = 0$) | -45 | V |
| V_{EBO} | Emitter-Base Voltage ($I_C = 0$) | -5 | V |
| I_C | Collector Current | -2 | A |
| I_{CM} | Collector Peak Current | -6 | A |
| P_{tot} | Total Dissipation at $T_c \leq 25^\circ C$ | 25 | W |
| T_{stg} | Storage Temperature | -65 to 150 | $^\circ C$ |
| T_j | Max. Operating Junction Temperature | 150 | $^\circ C$ |

THERMAL DATA

| | | | | |
|-----------------------|----------------------------------|-----|---|------|
| R _{thj-case} | Thermal Resistance Junction-case | Max | 5 | °C/W |
|-----------------------|----------------------------------|-----|---|------|

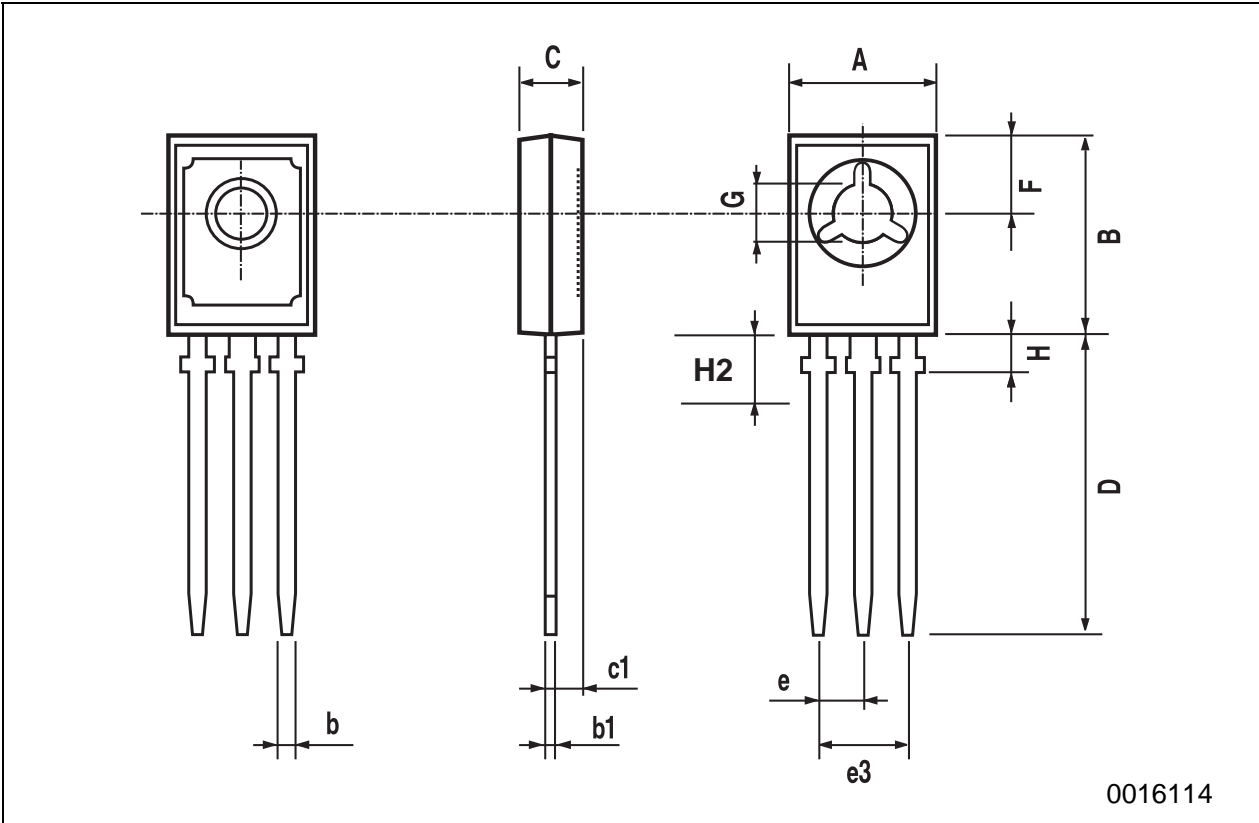
ELECTRICAL CHARACTERISTICS (T_{case} = 25 °C unless otherwise specified)

| Symbol | Parameter | Test Conditions | Min. | Typ. | Max. | Unit |
|-------------------------------------|--|---|----------|------|------------|----------|
| I _{CBO} | Collector Cut-off Current (I _E = 0) | V _{CB} = -45 V V _{CB} = -45 V T _C = 150 °C | | | -0.1 -2 | mA mA |
| I _{EBO} | Emitter Cut-off Current (I _C = 0) | V _{EB} = -5 V | | | -1 | mA |
| V _{CEO(sus)*} | Collector-Emitter Sustaining Voltage | I _C = -100 mA | -45 | | | V |
| V _{CE(sat)*} | Collector-Emitter Saturation Voltage | I _C = -1 A I _B = -0.1 A | | | -0.6 | V |
| V _{BE*} | Base-Emitter Voltage | I _C = -1 A V _{CE} = -2 V | | | -1.3 | V |
| h _{FE*} | DC Current Gain | I _C = -150 mA V _{CE} = -2 V I _C = -1 A V _{CE} = -2 V | 40 25 | | | |
| f _T | Transition frequency | I _C = -250 mA V _{CE} = -10 V | 3 | | | MHz |
| h _{FE1} /h _{FE2*} | Matched Pairs | I _C = -150 mA V _{CE} = -2 V | | 1.6 | | |

* Pulsed: Pulse duration = 300 μs, duty cycle 1.5 %

SOT-32 (TO-126) MECHANICAL DATA

| DIM. | mm | | | inch | | |
|------|------|------|------|-------|-------|-------|
| | MIN. | TYP. | MAX. | MIN. | TYP. | MAX. |
| A | 7.4 | | 7.8 | 0.291 | | 0.307 |
| B | 10.5 | | 10.8 | 0.413 | | 0.445 |
| b | 0.7 | | 0.9 | 0.028 | | 0.035 |
| b1 | 0.49 | | 0.75 | 0.019 | | 0.030 |
| C | 2.4 | | 2.7 | 0.040 | | 0.106 |
| c1 | 1.0 | | 1.3 | 0.039 | | 0.050 |
| D | 15.4 | | 16.0 | 0.606 | | 0.629 |
| e | | 2.2 | | | 0.087 | |
| e3 | 4.15 | | 4.65 | 0.163 | | 0.183 |
| F | | 3.8 | | | 0.150 | |
| G | 3 | | 3.2 | 0.118 | | 0.126 |
| H | | | 2.54 | | | 0.100 |
| H2 | | 2.15 | | | 0.084 | |



0016114

Information furnished is believed to be accurate and reliable. However, SGS-THOMSON Microelectronics assumes no responsibility for the consequences of use of such information nor for any infringement of patents or other rights of third parties which may result from its use. No license is granted by implication or otherwise under any patent or patent rights of SGS-THOMSON Microelectronics. Specifications mentioned in this publication are subject to change without notice. This publication supersedes and replaces all information previously supplied. SGS-THOMSON Microelectronics products are not authorized for use as critical components in life support devices or systems without express written approval of SGS-THOMSON Microelectronics.

© 1997 SGS-THOMSON Microelectronics - Printed in Italy - All Rights Reserved

SGS-THOMSON Microelectronics GROUP OF COMPANIES
Australia - Brazil - Canada - China - France - Germany - Hong Kong - Italy - Japan - Korea - Malaysia - Malta - Morocco - The Netherlands -
Singapore - Spain - Sweden - Switzerland - Taiwan - Thailand - United Kingdom - U.S.A
...