

High-speed switching diode

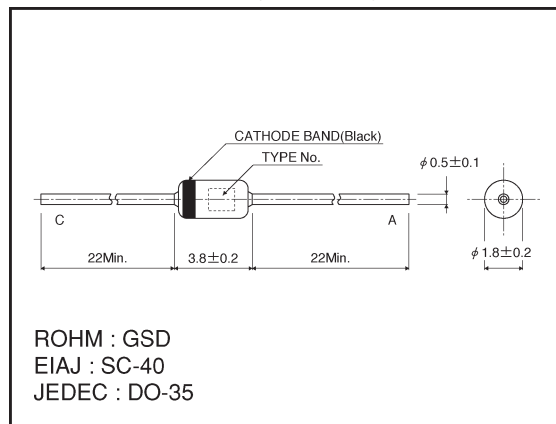
1N4148 / 1N4150 / 1N4448 / 1N914B

*This product is available only outside of Japan.

●JEDEC Standard Product

The following 1N series diodes are available to support the JEDEC standard.

●External dimensions (Units: mm)



●Absolute maximum ratings (Ta = 25°C)

Type	V _{RM} (V)	V _R (V)	I _{FM} (mA)	I _O (mA)	I _F (mA)	I _{FSM} 1 μs (A)	P (mW)	T _j (°C)	Topr (°C)	Tstg (°C)
1N4148	100	75	450	150	200	2	500	200	-65~+200	-65~+200
1N4150	50	50	600	200	250	4	500	200	-65~+200	-65~+200
1N4448	100	75	450	150	200	2	500	200	-65~+200	-65~+200

●Electrical characteristics (Ta = 25°C)

Type	V _F (V)											BV (V) Min.		I _R (μA) Max.				C _r (pF)	t _{rr} (ns) V _R =6V I _F =10mA R _L =100Ω
	@	@	@	@	@	@	@	@	@	@	@	@	@	@25°C		@150°C			
	0.1mA	0.25mA	1mA	2mA	5mA	10mA	20mA	30mA	50mA	100mA	200mA	250mA	5 μA	100 μA	V _R (V)	V _R (V)	V _R (V)	V _R (V)	
1N4148	/	/	/	/	/	/	/	/	/	/	/	75	100	0.025 5.0	20 75	50.0	20	4	4
1N4150	/	/	0.54	/	/	0.66	/	/	0.76	0.82	0.87	-	50	0.1	50	100.0	50	2.5	4
1N4448 (1N914B)	/	/	0.62	/	0.62	/	/	/	0.86	0.92	1.0	-	100	0.025 5.0	20 75	50.0	20	4	4

The upper figure is the minimum V_F and the lower figure is the maximum V_F value.

●Electrical characteristic curves ($T_a = 25^\circ\text{C}$ unless specified otherwise)

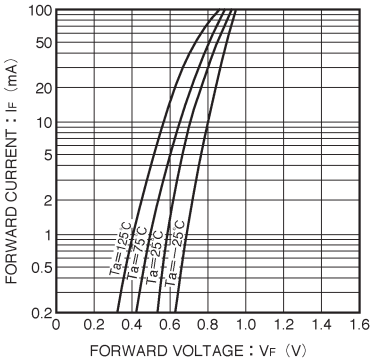


Fig. 1 Forward characteristics

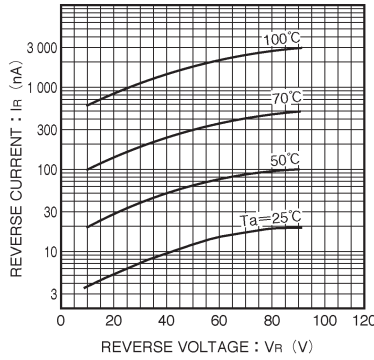


Fig. 2 Reverse characteristics

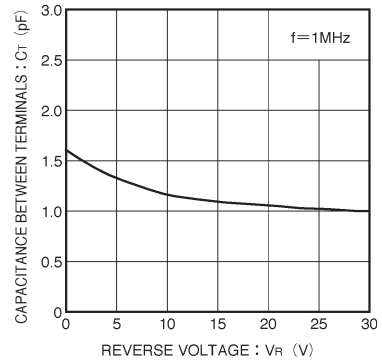


Fig. 3 Capacitance between terminals characteristics

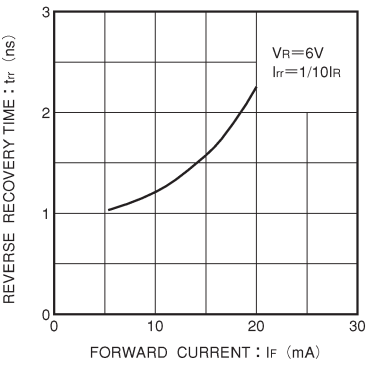


Fig. 4 Reverse recovery time characteristics

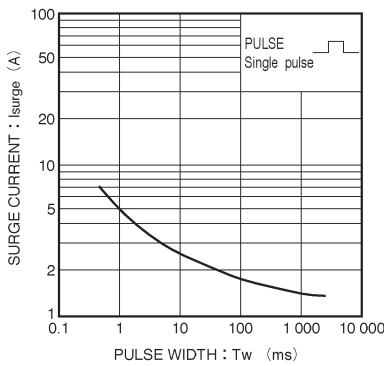


Fig. 5 Surge current characteristics

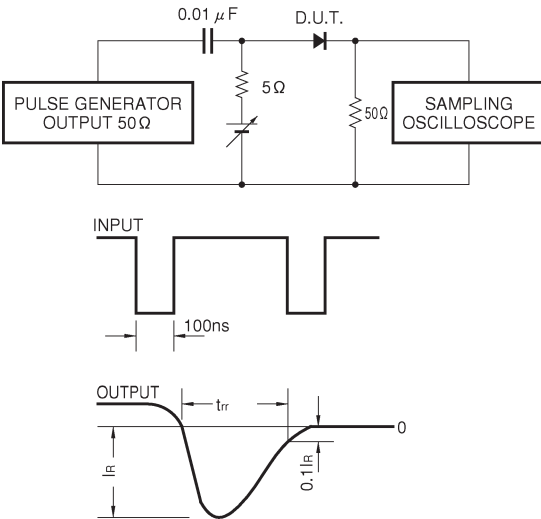


Fig. 6 Reverse recovery time (t_{rr}) measurement circuit